



US00D732233S

(12) **United States Design Patent**  
**Reynolds**

(10) **Patent No.:** **US D732,233 S**  
(45) **Date of Patent:** **\*\* Jun. 16, 2015**

- (54) **HORTICULTURE GROW LIGHT FIXTURE**
- (71) Applicant: **IP Holdings, LLC**, Vancouver, WA (US)
- (72) Inventor: **Chris Reynolds**, Vancouver, WA (US)
- (73) Assignee: **IP Holdings, LLC**, Vancouver, WA (US)
- (\*\*) Term: **14 Years**
- (21) Appl. No.: **29/483,665**
- (22) Filed: **Feb. 28, 2014**
- (51) **LOC (10) Cl.** ..... **26-99**
- (52) **U.S. Cl.**  
USPC ..... **D26/118**
- (58) **Field of Classification Search**  
USPC ..... D26/9, 10, 12, 13, 15, 16, 51, 61, 72,  
D26/76, 80, 81, 85, 86, 88, 90, 113, 118,  
D26/119, 120, 122, 128, 129, 138, 143, 144  
See application file for complete search history.

D544,138 S \* 6/2007 Hargreaves ..... D26/118  
D544,139 S \* 6/2007 Hargreaves ..... D26/118  
D544,626 S 6/2007 Hargreaves

(Continued)

**OTHER PUBLICATIONS**

Agrotech Magnum Reflector, image post date Feb. 5, 2012, site visited Oct. 31, 2014, (online), <<http://www.hydroponics.net/i/136580>>.\*

(Continued)

*Primary Examiner* — Kevin Rudzinski

*Assistant Examiner* — Sean D Lough

(74) *Attorney, Agent, or Firm* — J. Douglas Wells

(57) **CLAIM**

The ornamental design for a horticulture grow light fixture, as shown and described.

**DESCRIPTION**

FIG. 1 is a perspective view of the horticulture grow light fixture, as viewed from below, showing my new design;  
FIG. 2 is a perspective view of the light fixture shown in FIG. 1, as viewed from above;  
FIG. 3 is a left side view of the light fixture shown in FIG. 1;  
FIG. 4 is a right side view of the light fixture shown in FIG. 1;  
FIG. 5 is a front elevation view of the light fixture shown in FIG. 1;  
FIG. 6 is a rear elevation view of the light fixture shown in FIG. 1;  
FIG. 7 is a top plan view of the light fixture shown in FIG. 1;  
and,  
FIG. 8 is a bottom plan view of the light fixture shown in FIG. 1.

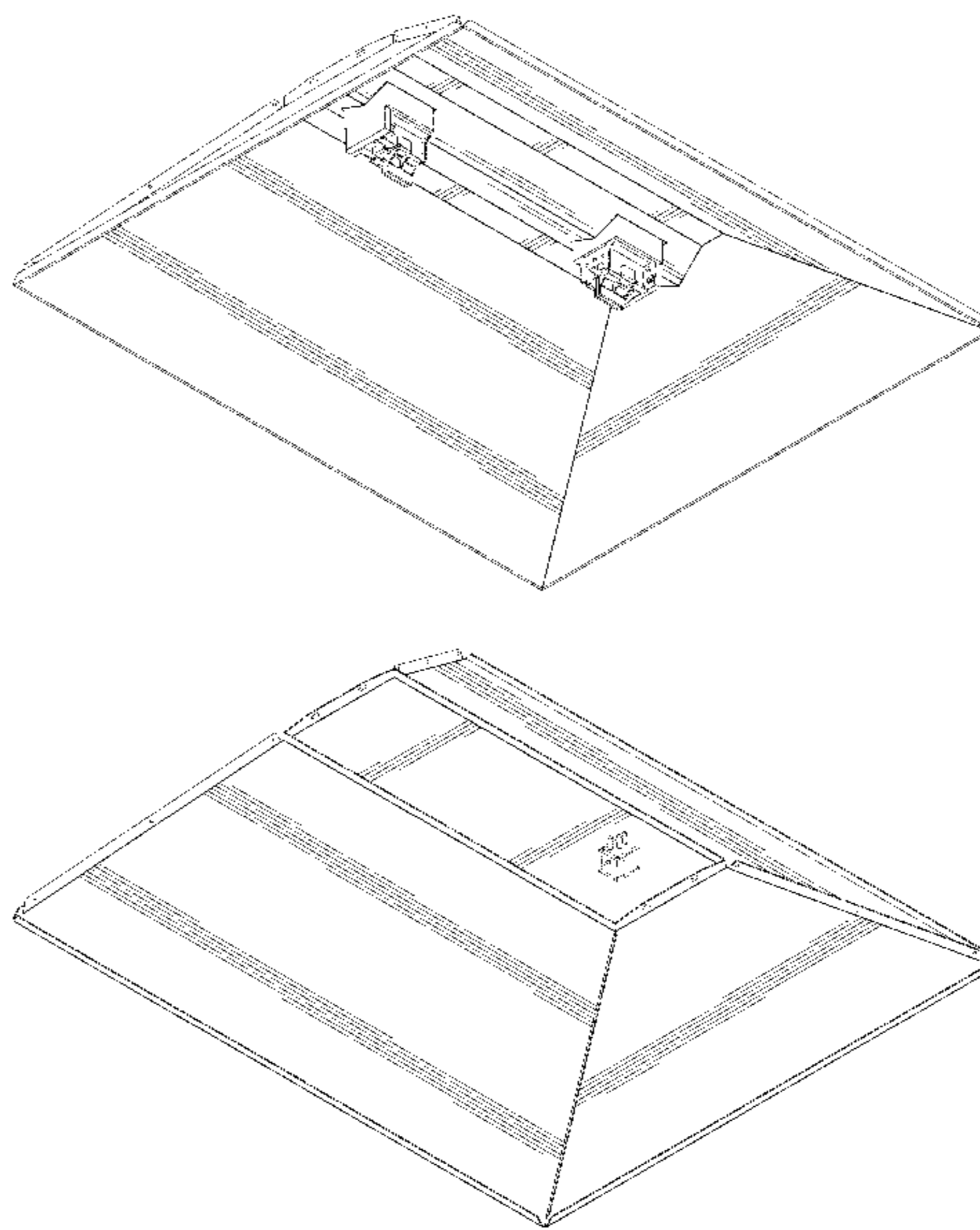
The broken-line disclosure shown in the views is understood to represent portions of the article in which the claimed design is embodied, but which form no part of the claimed design.

**1 Claim, 6 Drawing Sheets**

(56) **References Cited**

**U.S. PATENT DOCUMENTS**

D123,768	S	*	12/1940	Scribner	.....	D26/78
3,272,978	A		9/1966	Jackson		
4,531,180	A		7/1985	Hernandez		
4,933,821	A		6/1990	Anderson		
D311,597	S		10/1990	Poot		
6,042,250	A	*	3/2000	Stragnola	.....	362/297
6,152,579	A		11/2000	Reed et al.		
D456,938	S		5/2002	Wardenburg		
D459,825	S		7/2002	Field		
D469,564	S		1/2003	Brok		
6,527,422	B1	*	3/2003	Hutchison	.....	362/373
6,595,662	B2		7/2003	Wardenburg		
7,131,753	B1	*	11/2006	Edwards, Jr.	.....	362/405
D542,460	S		5/2007	Hargreaves		
D543,652	S		5/2007	Hargreaves		
D543,654	S		5/2007	Hargreaves		



(56)

References Cited

U.S. PATENT DOCUMENTS

D544,983 S 6/2007 Hargreaves  
 D544,984 S 6/2007 Hargreaves  
 D544,985 S \* 6/2007 Hargreaves ..... D26/78  
 D544,987 S 6/2007 Hargreaves  
 D544,994 S 6/2007 Hargreaves  
 D544,995 S 6/2007 Hargreaves  
 D545,484 S 6/2007 Hargreaves  
 D545,994 S 7/2007 Hargreaves  
 7,524,090 B2 \* 4/2009 Hargreaves ..... 362/294  
 D603,087 S 10/2009 Mo et al.  
 D605,342 S \* 12/2009 Chung et al. .... D26/118  
 D608,490 S \* 1/2010 Chung et al. .... D26/118  
 7,641,367 B2 1/2010 Hargreaves et al.  
 D614,801 S \* 4/2010 Collins et al. .... D26/118  
 7,722,228 B2 \* 5/2010 Broer ..... 362/373  
 D620,190 S \* 7/2010 Chung et al. .... D26/122  
 D632,419 S \* 2/2011 Ng et al. .... D26/78  
 D634,060 S 3/2011 Wardenburg  
 D634,468 S 3/2011 Hargreaves  
 D634,469 S 3/2011 Hargreaves  
 D637,341 S \* 5/2011 Wardenburg ..... D26/118  
 D637,752 S 5/2011 Mehktarian  
 7,972,044 B2 \* 7/2011 Burkhauser ..... 362/373  
 D649,685 S \* 11/2011 Trzesniowski ..... D26/138  
 8,209,912 B2 7/2012 Hargreaves et al.  
 D675,369 S \* 1/2013 Michaud ..... D26/118  
 D678,597 S \* 3/2013 Lehman et al. .... D26/120  
 D678,599 S 3/2013 Boyer et al.  
 D683,064 S 5/2013 Tuck  
 D693,959 S \* 11/2013 Boyer et al. .... D26/118  
 D698,986 S \* 2/2014 Reynolds ..... D26/118

2003/0031011 A1 \* 2/2003 Miller et al. .... 362/150  
 2007/0246631 A1 \* 10/2007 Brown et al. .... 248/343  
 2008/0205030 A1 8/2008 Hargreaves  
 2008/0205071 A1 8/2008 Townsley  
 2008/0278950 A1 \* 11/2008 Pickard et al. .... 362/294  
 2009/0262540 A1 10/2009 Hargreaves et al.  
 2009/0323335 A1 \* 12/2009 Yang et al. .... 362/247  
 2010/0302768 A1 \* 12/2010 Collins et al. .... 362/217.05  
 2013/0083539 A1 \* 4/2013 Dimitriadis ..... 362/297  
 2013/0155685 A1 \* 6/2013 Stanley ..... 362/294

OTHER PUBLICATIONS

NPL date for Agrotech Magnum Reflector from Wayback Machine, image post date Oct. 31, 2014, site visited Oct. 31, 2014, (online), <[http://web.archive.org/web/\\*/http://www.hydroponics.net/i/136580](http://web.archive.org/web/*/http://www.hydroponics.net/i/136580)>.\*  
 Cree CR22, image post date Apr. 28, 2011, site visited Nov. 15, 2014, (online), <<http://www.ledsmagazine.com/content/dam/leds/migrated/objects/news/8/4/19/Cree204272011.jpg>>.\*  
 NPL date for Cree CR22, image post date Apr. 28, 2011, site visited Nov. 15, 2014, (online), <<http://www.ledsmagazine.com/articles/2011/04/cree-delivers-led-alternative-to-linear-fluorescent-fixtures.html>>.\*  
 ZR Series High Efficacy Troffer, image post date Apr. 13, 2012, site visited Oct. 31, 2014, (online), <<http://www.cree.com/Lighting/Products>>.\*  
 NPL date for ZR Series High Efficacy Troffer from Wayback Machine, image post date Oct. 31, 2014, site visited Oct. 31, 2014, (online), <[http://web.archive.org/web/20120415000000\\*/http://www.cree.com/Lighting/Products](http://web.archive.org/web/20120415000000*/http://www.cree.com/Lighting/Products)>.\*

\* cited by examiner

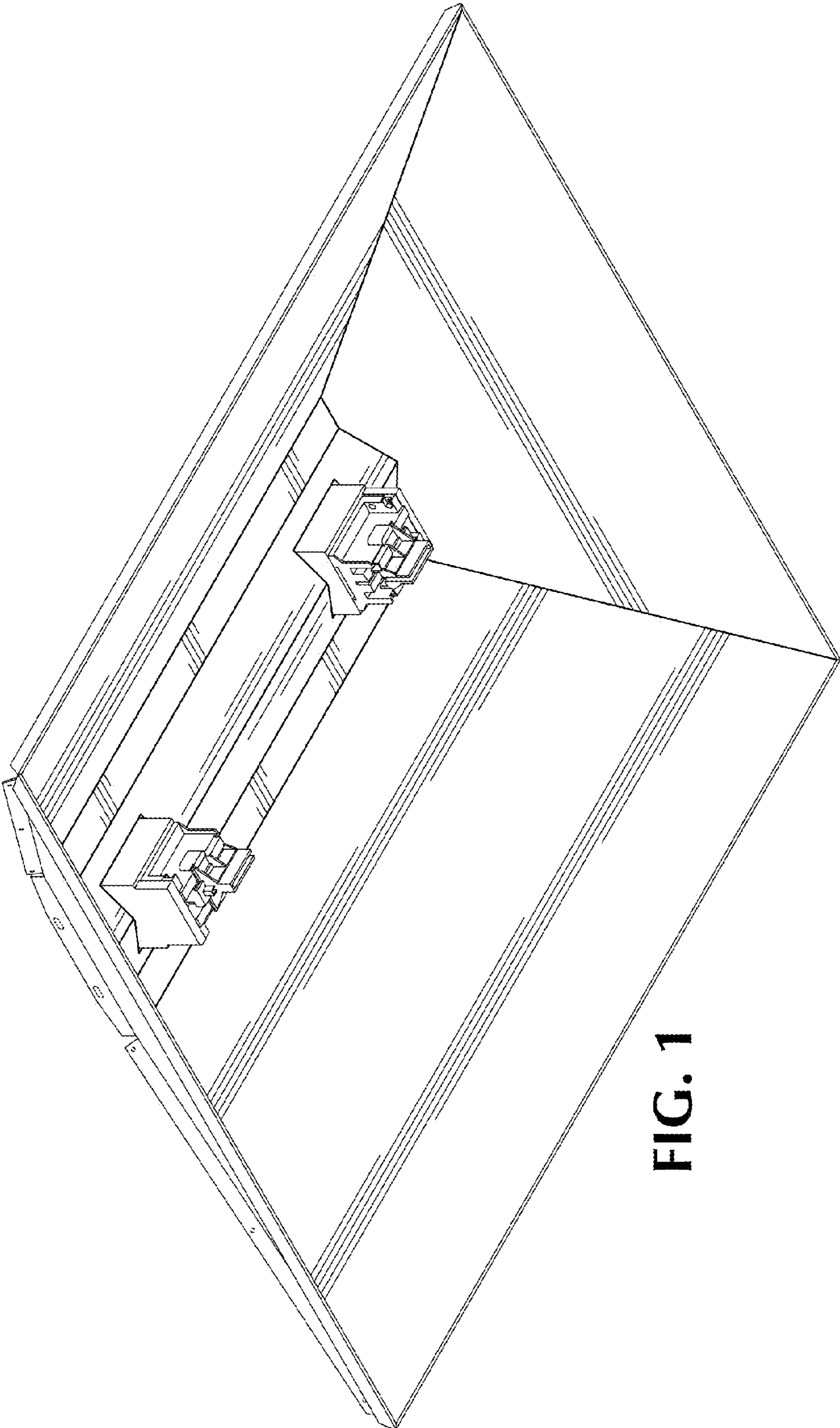


FIG. 1

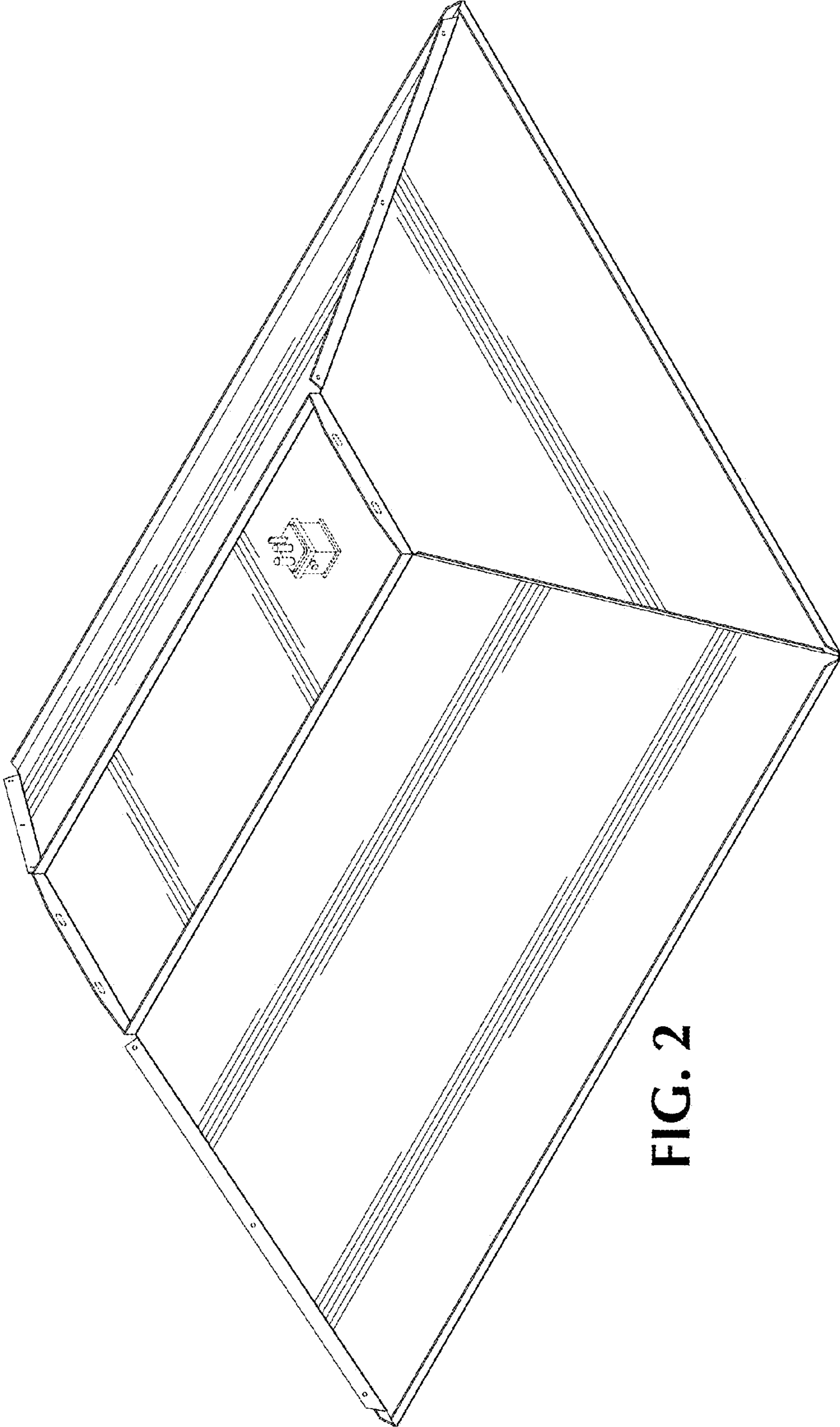


FIG. 2

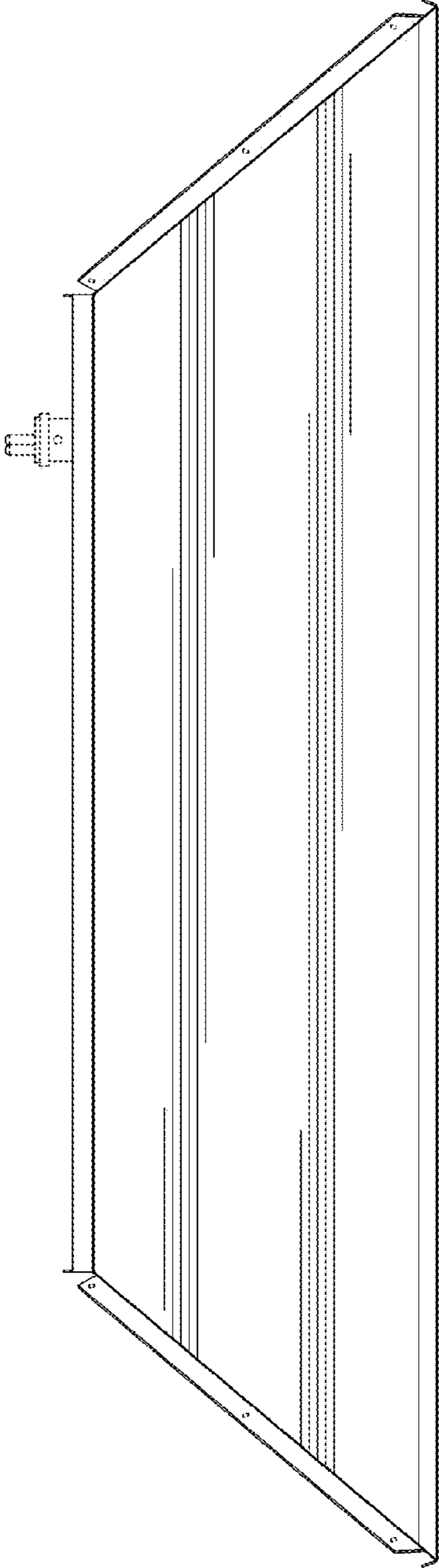


FIG. 3

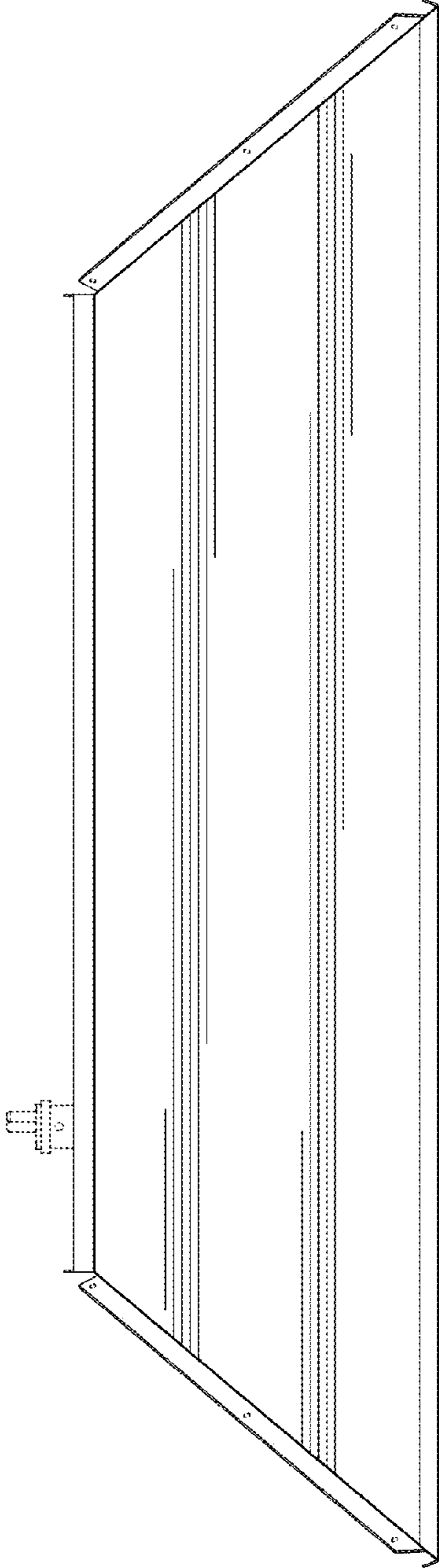


FIG. 4

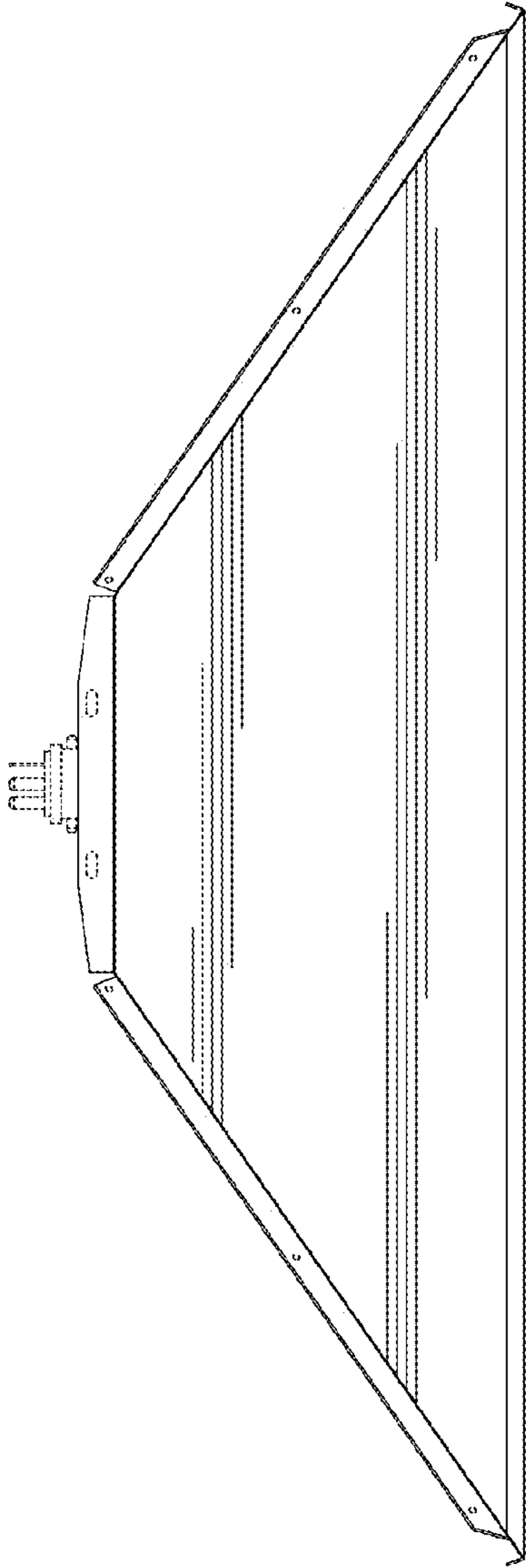


FIG. 5

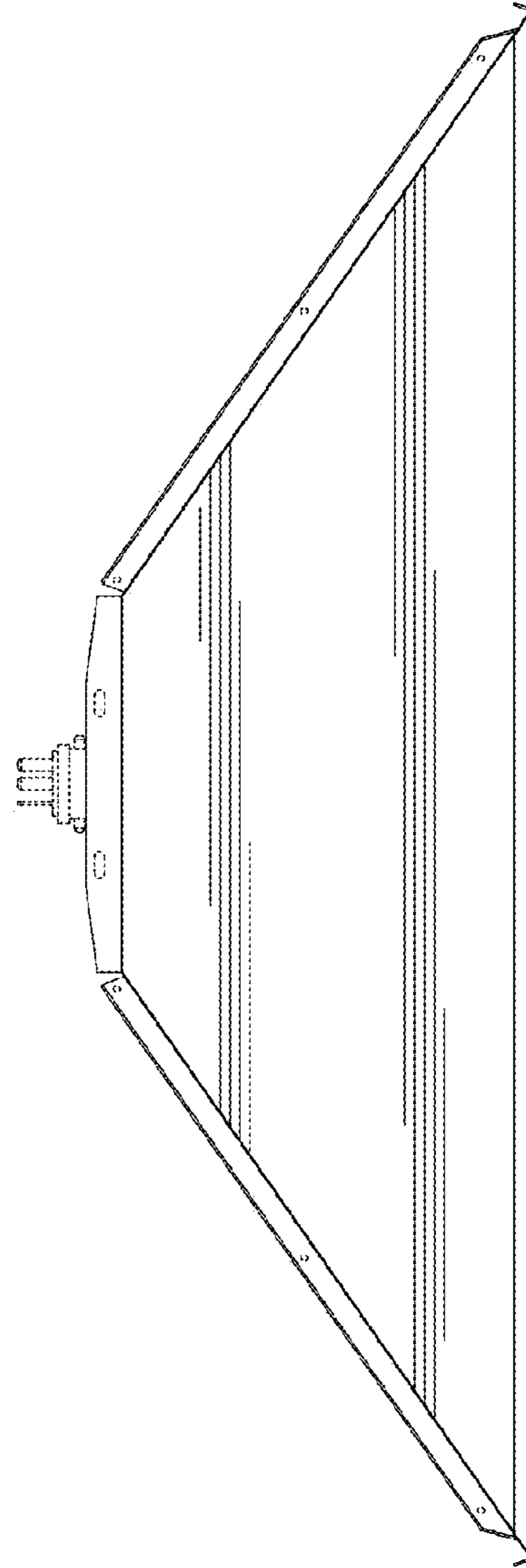


FIG. 6

FIG. 7

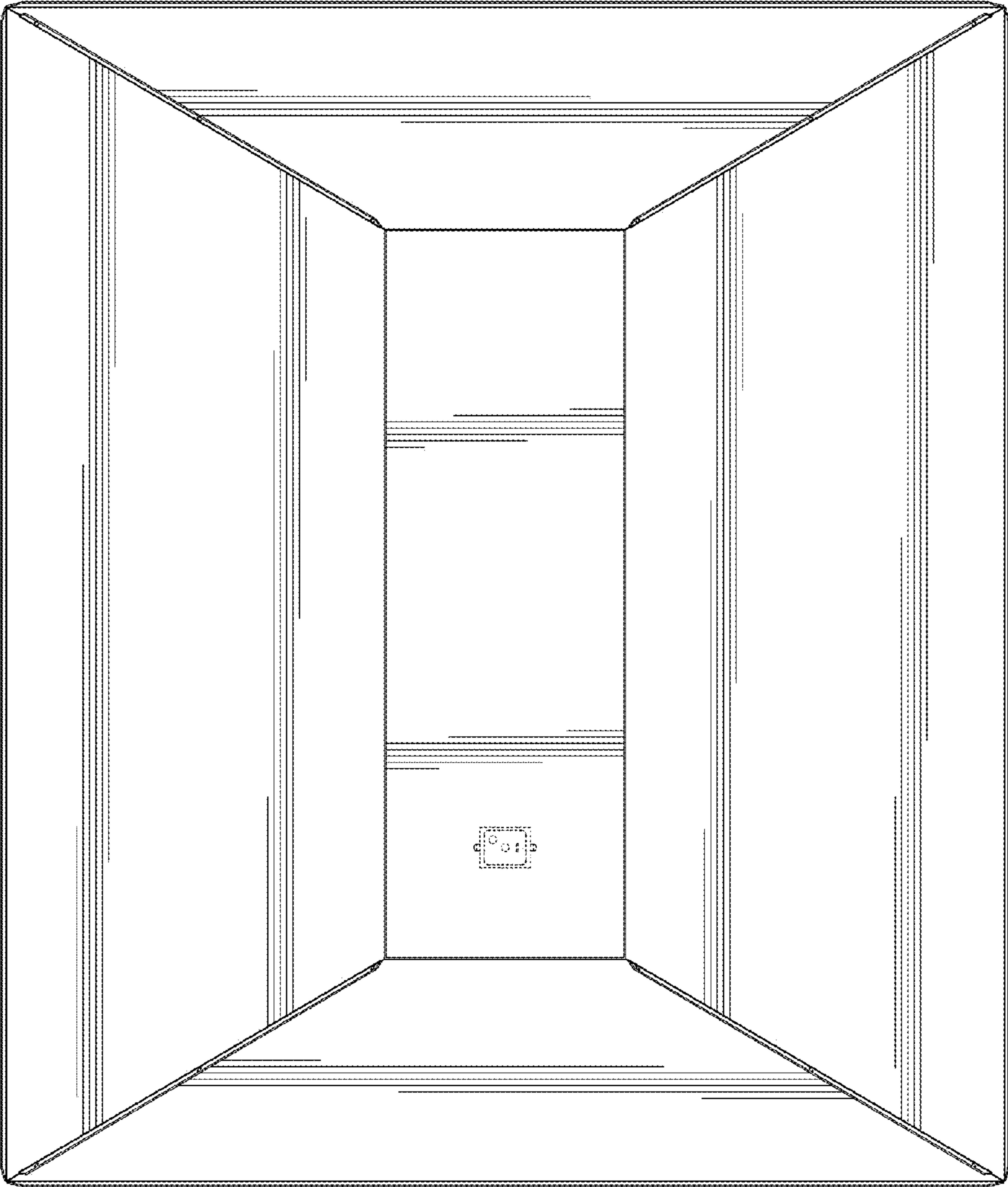


FIG. 8

