



US00D732232S

(12) **United States Design Patent**
Fissell

(10) **Patent No.:** **US D732,232 S**
(45) **Date of Patent:** **** Jun. 16, 2015**

(54) **CUP BASE ILLUMINATING FLOATING BALL**

Primary Examiner — Brian N Vinson

(71) Applicant: **Jeremy J. Fissell**, San Luis Obispo, CA (US)

(57) **CLAIM**

The ornamental design for a cup base illuminating floating ball, as shown and described.

(72) Inventor: **Jeremy J. Fissell**, San Luis Obispo, CA (US)

(**) Term: **14 Years**

DESCRIPTION

(21) Appl. No.: **29/443,798**

FIG. 1 is a perspective view of the cup base illuminating floating ball region showing our new design, wherein the cup base illuminating floating ball is in an illuminating state;

(22) Filed: **Jan. 22, 2013**

FIG. 2 is a top view of cup base illuminating floating ball thereof;

(51) **LOC (10) Cl.** **26-03**

FIG. 3 is a front view of the cup base illuminating floating ball thereof

(52) **U.S. Cl.**

USPC **D26/94**

(58) **Field of Classification Search**

USPC D26/94, 24; D11/157; D21/313, 483; D7/509, 523, 524, 532, 619.1

See application file for complete search history.

FIG. 4 is a perspective view of the cup base illuminating floating ball region showing our new design, wherein the cup base illuminating floating ball is in a non illuminating state;

FIG. 5 is a top view of the cup base illuminating floating ball thereof; and,

(56) **References Cited**

U.S. PATENT DOCUMENTS

FIG. 6 is a front view of the cup base illuminating floating ball thereof.

All broken lines are directed to environment and are for illustrative purposes only. None of the broken lines form a part of the claimed design. The radiating lines in FIGS. 1-3 indicate illumination. The dark shading in FIGS. 4-6 compared to the same region shown unshaded in FIGS. 1-3 indicates a contrast in appearance between unlit and lit regions, and does not depict any particular color, texture, or material.

D406,378 S *	3/1999	Walters et al.	D26/94
D501,949 S *	2/2005	Tang	D26/94
D502,782 S *	3/2005	Tang	D26/94
D508,743 S *	8/2005	Brady	D26/26
D620,757 S *	8/2010	Ahlm et al.	D7/523
D655,573 S *	3/2012	O'Connor	D7/532
D686,454 S *	7/2013	Roth	D7/523

* cited by examiner

1 Claim, 6 Drawing Sheets

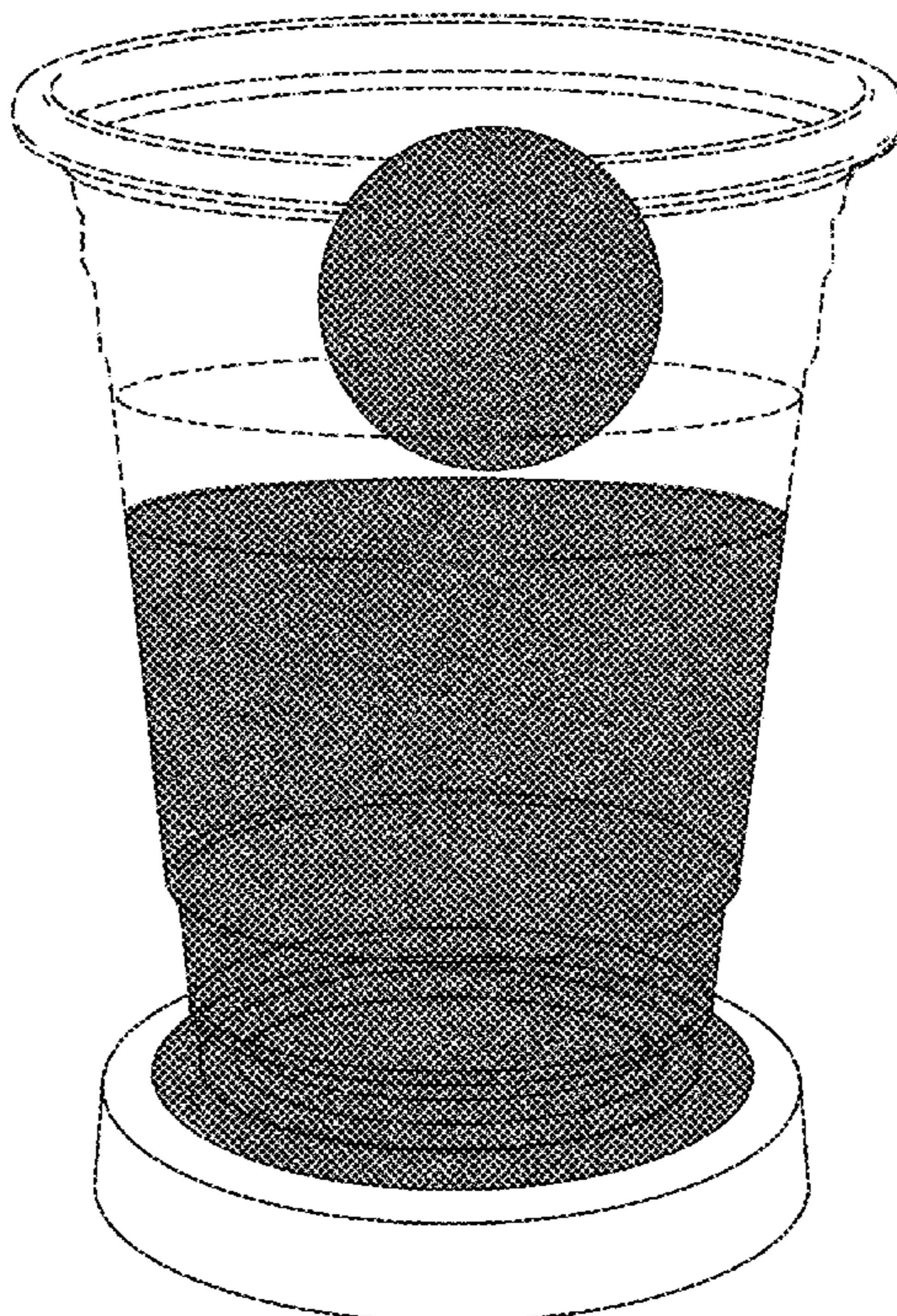


FIG. 1

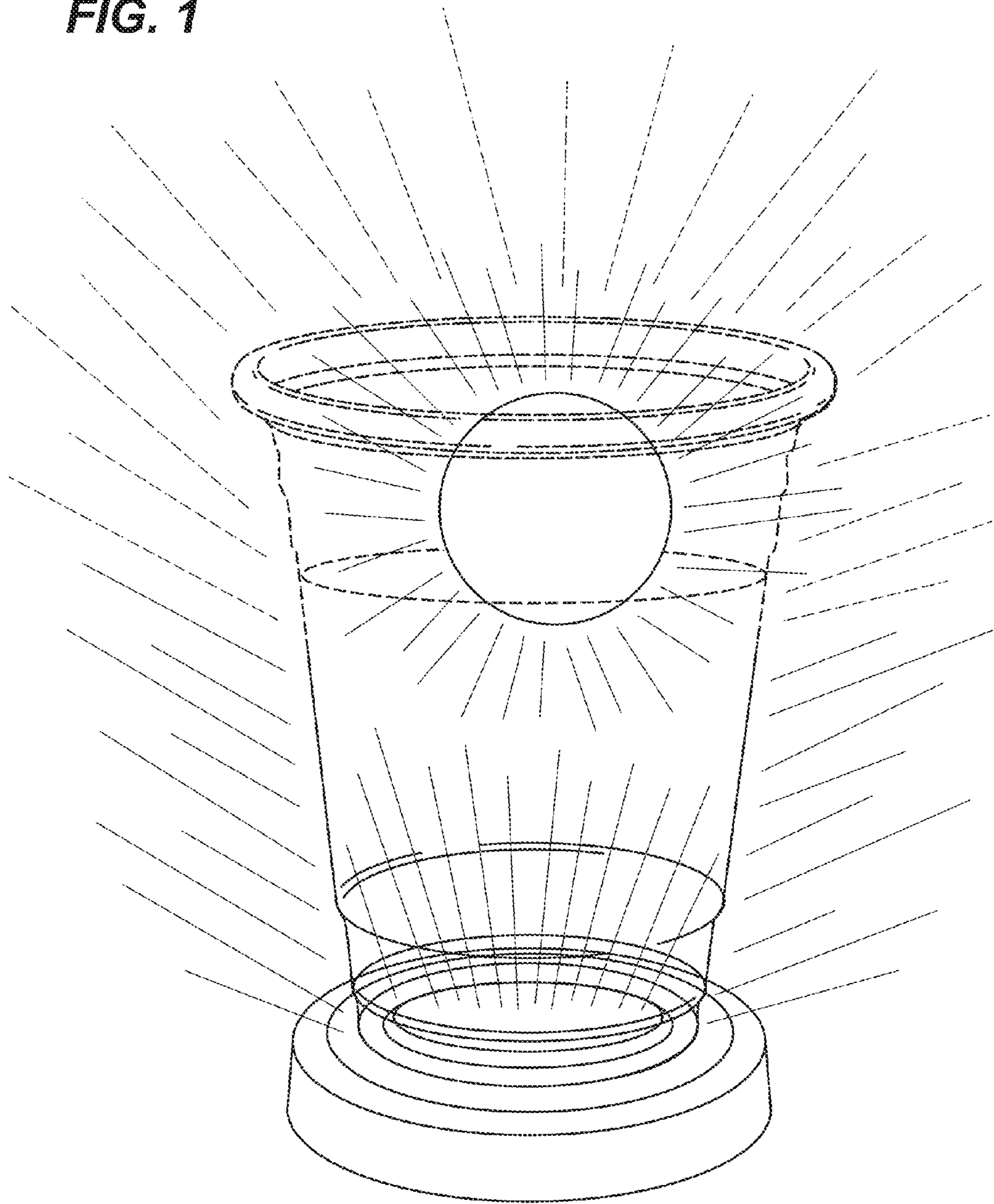


FIG. 2

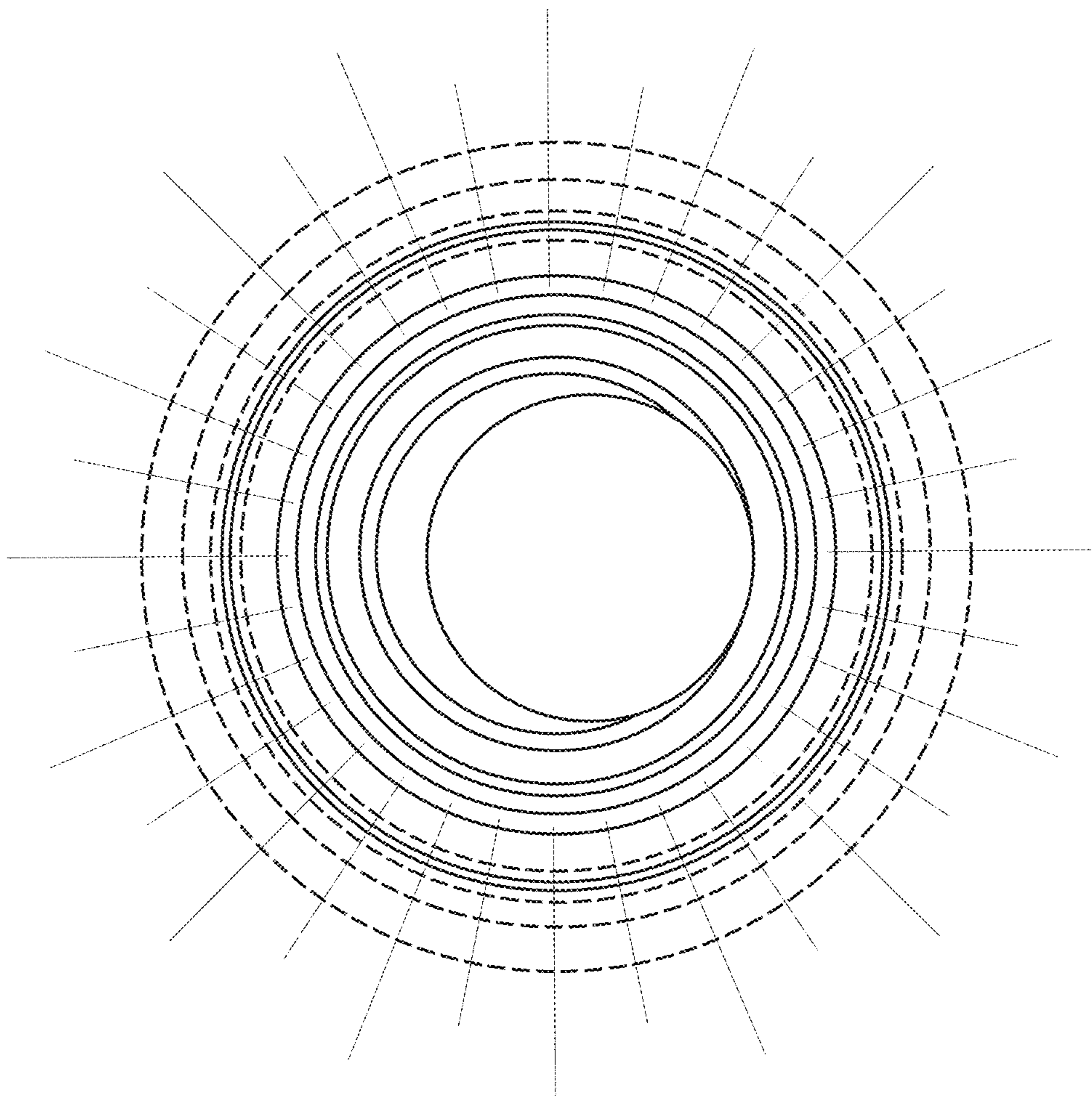


FIG. 3

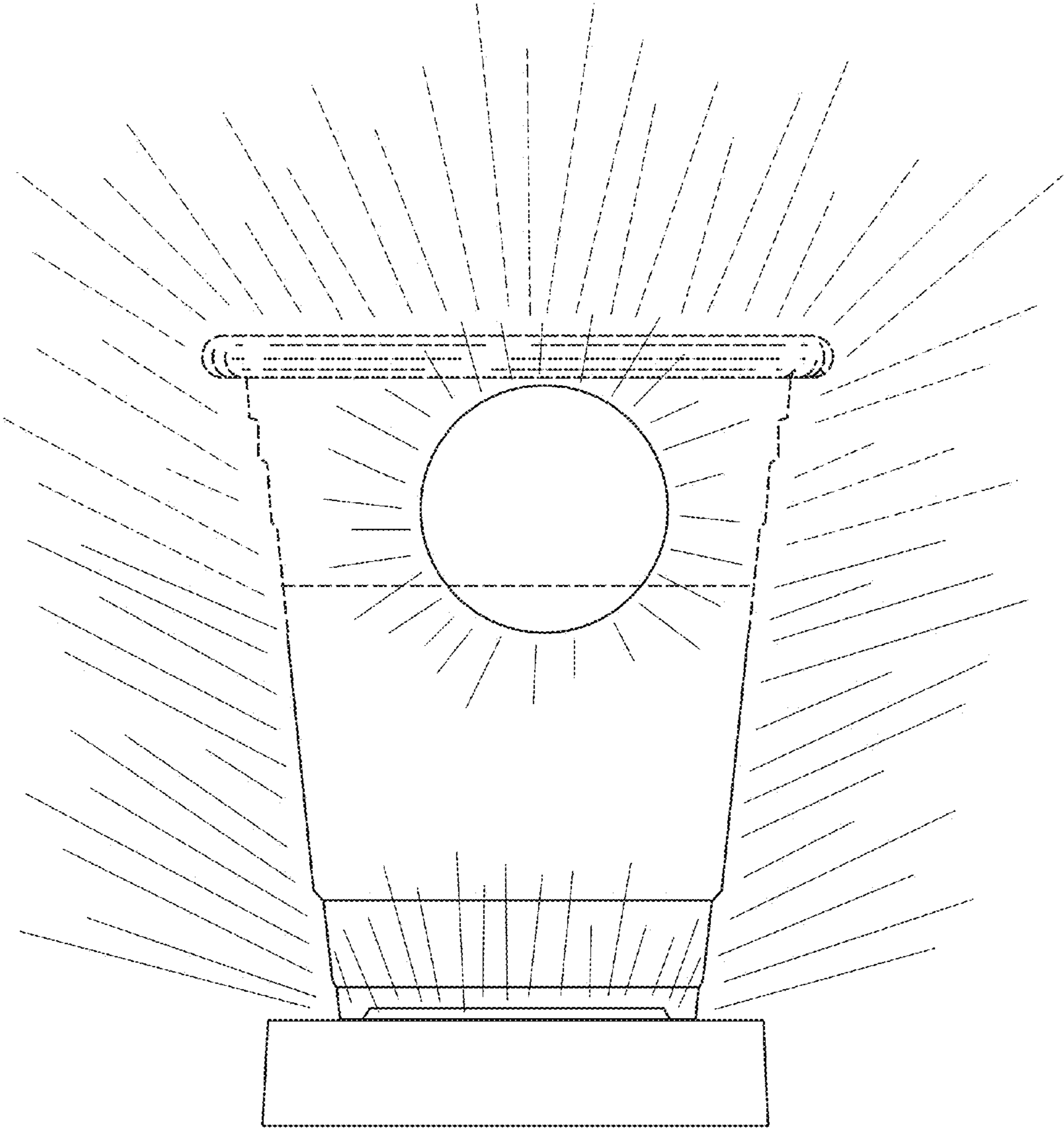


FIG. 4

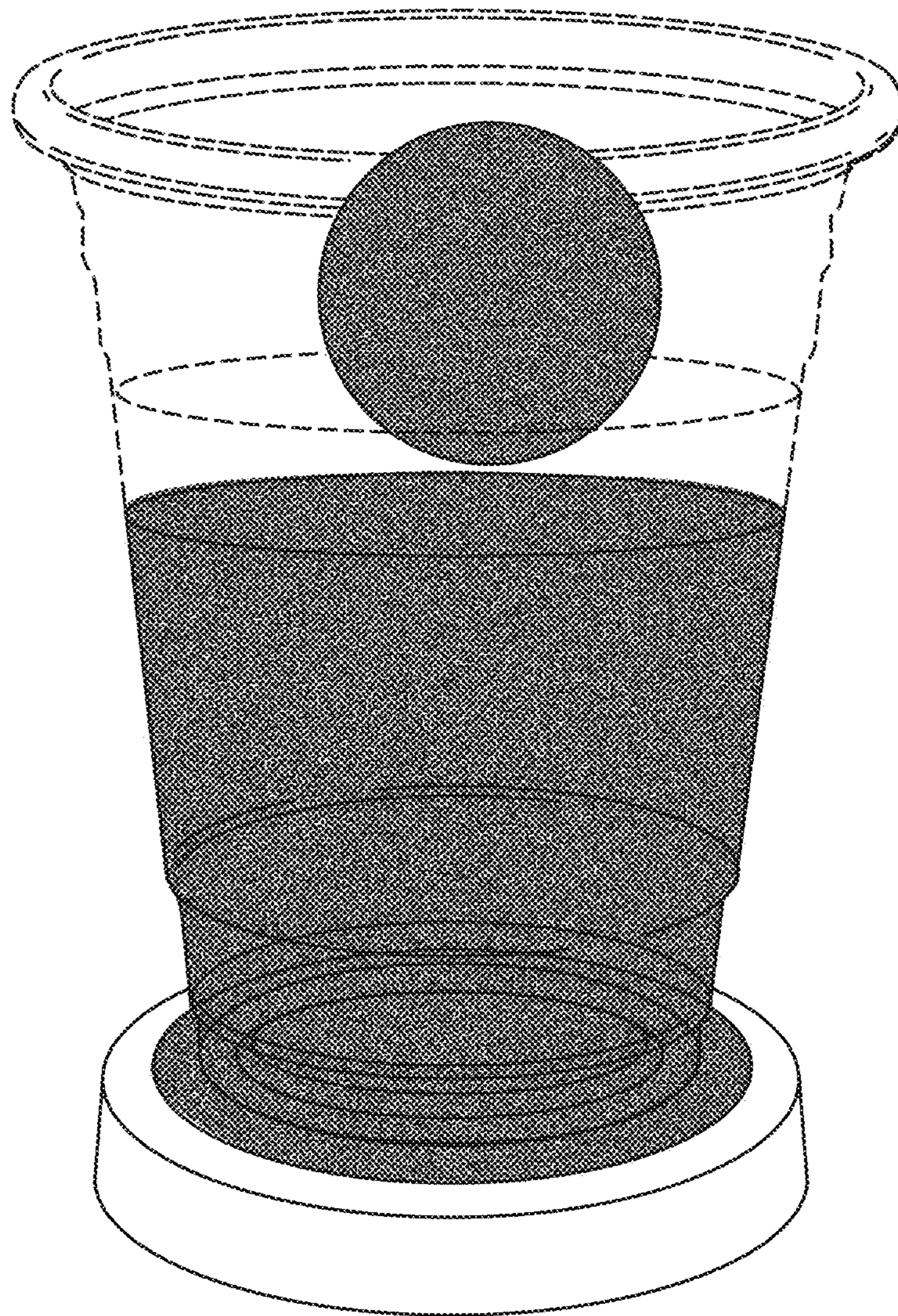


FIG. 5

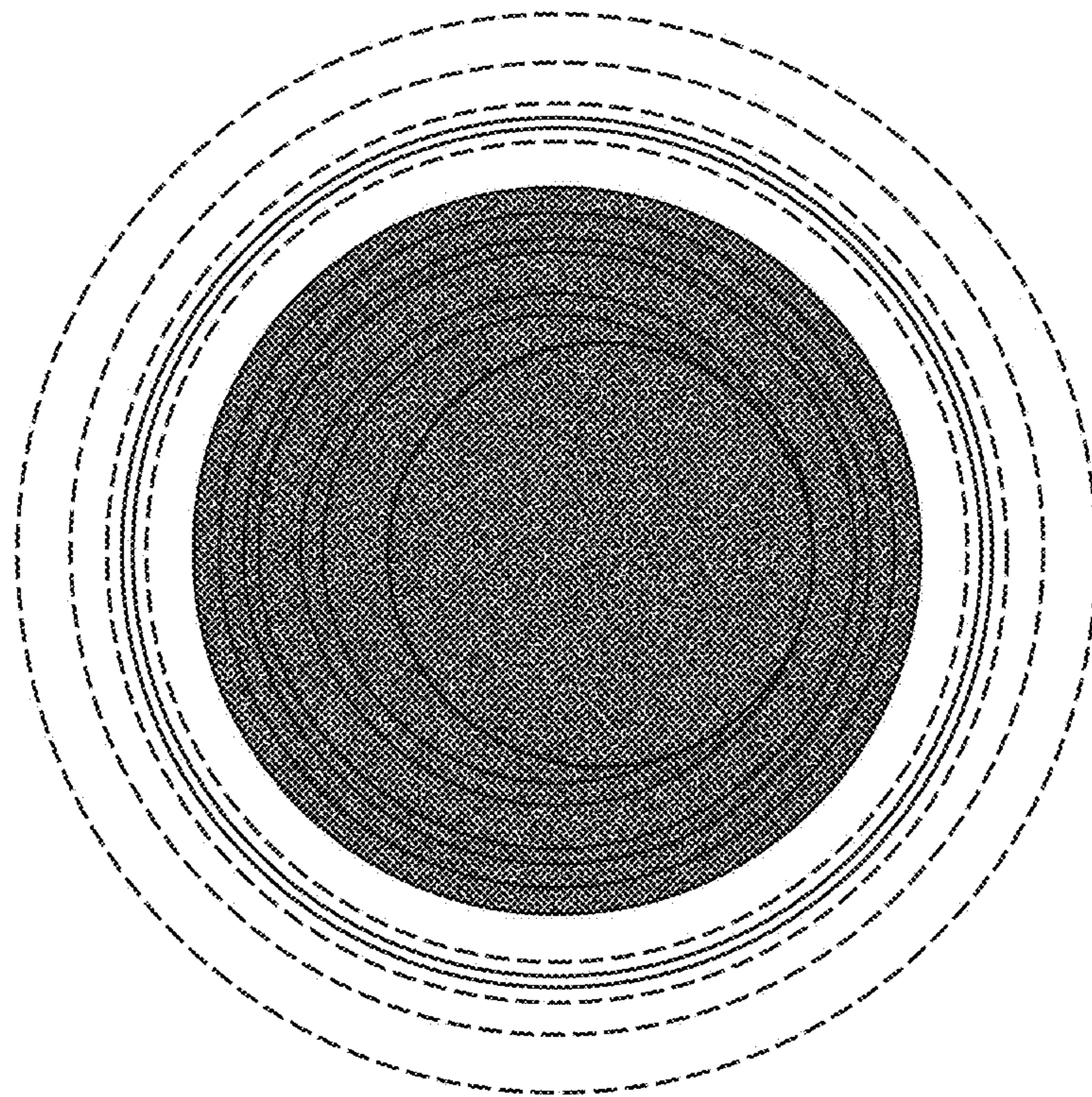


FIG. 6

