



US00D732227S

(12) **United States Design Patent**
Blum et al.

(10) **Patent No.:** **US D732,227 S**

(45) **Date of Patent:** **** Jun. 16, 2015**

(54) **LUMINAIRE**

(71) Applicant: **ABL IP Holding, LLC**, Conyers, GA (US)

(72) Inventors: **Darren Blum**, San Mateo, CA (US);
Peter Y. Y. Ngai, Alamo, CA (US);
Michael Trung Tran, Oakland, CA (US);
Michael Evenson, Rushford, MN (US)

(73) Assignee: **ABL IP Holding, LLC**, Conyers, GA (US)

(**) Term: **14 Years**

(21) Appl. No.: **29/507,267**

(22) Filed: **Oct. 24, 2014**

(51) **LOC (10) Cl.** **26-03**

(52) **U.S. Cl.**
USPC **D26/88; D26/91**

(58) **Field of Classification Search**
USPC D26/25, 80-92, 118; 362/147, 404-408
CPC F21W 2121/00; F21S 8/00; F21S 4/00
See application file for complete search history.

(56) **References Cited**

U.S. PATENT DOCUMENTS

452,638	A *	5/1891	Gartner et al.	362/283
D80,638	S *	3/1930	Rosenblatt	D26/81
D101,033	S *	9/1936	Glatthar et al.	D26/81
6,124,672	A *	9/2000	Burke	313/506
6,565,231	B1 *	5/2003	Cok	362/227
7,108,392	B2 *	9/2006	Strip et al.	362/147
D613,449	S *	4/2010	Ngai et al.	D26/88
D623,795	S *	9/2010	Ngai et al.	D26/88
D643,566	S *	8/2011	Hickok et al.	D26/88
D645,196	S *	9/2011	Hickok	D26/88
D647,661	S *	10/2011	Steenhoudt	D26/84
D661,421	S *	6/2012	Hor et al.	D26/84
D681,254	S *	4/2013	Blum et al.	D26/83

8,419,206	B2 *	4/2013	Tran	362/147
8,430,530	B2 *	4/2013	Aurongzeb et al.	362/249.04
D698,982	S *	2/2014	Scatena	D26/90
8,841,834	B2 *	9/2014	Pickard	362/228
2005/0094394	A1 *	5/2005	Padiyath et al.	362/249
2011/0175533	A1 *	7/2011	Holman et al.	362/147
2012/0294016	A1	11/2012	Tran et al.	

(Continued)

FOREIGN PATENT DOCUMENTS

WO WO 2010/042216 4/2010

OTHER PUBLICATIONS

11 pages of Drawings from patent No. WO2010/042216 found at <http://patentscope.wipo.int/search/en/WO2010042216t> visited Jan. 12, 2015.*

(Continued)

Primary Examiner — Clare E Heflin

(74) *Attorney, Agent, or Firm* — Beeson Skinner Beverly, LLP

(57) **CLAIM**

The ornamental design for a luminaire, as shown and described.

DESCRIPTION

FIG. 1 is a front perspective view of a luminaire, showing our new design;

FIG. 2 is a rear perspective view thereof;

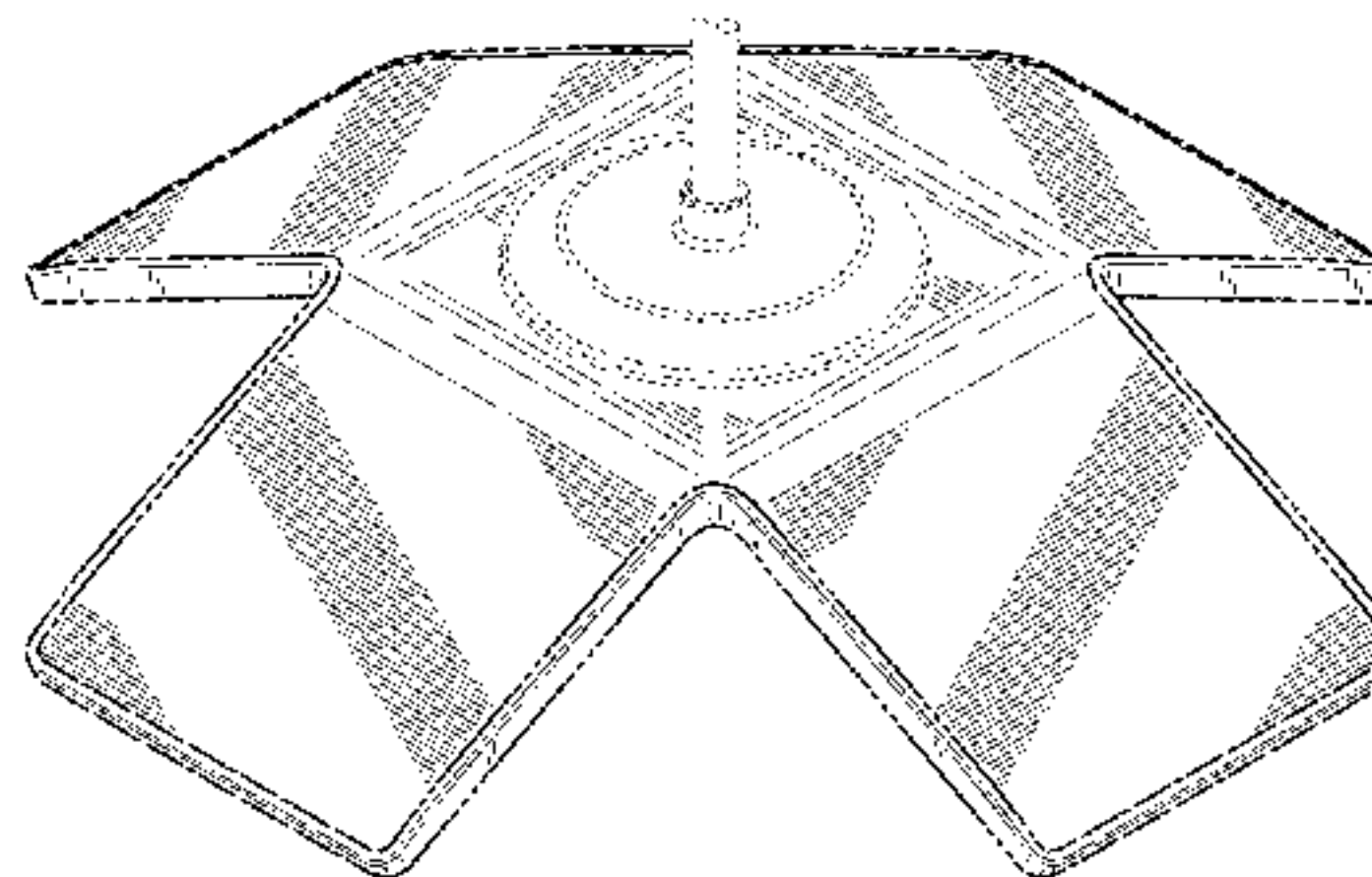
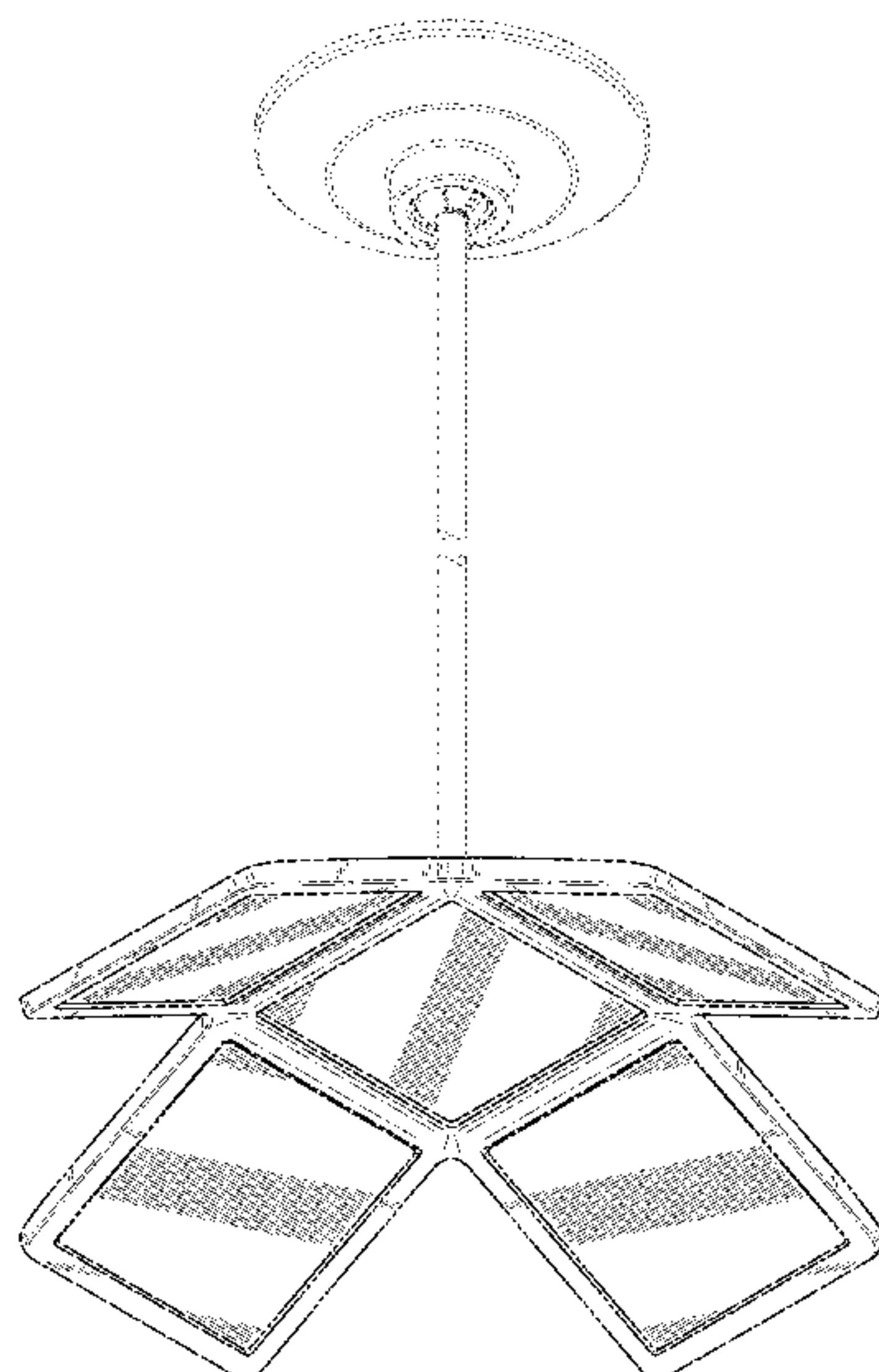
FIG. 3 is a right side elevational view thereof, the left, front, and rear views being identical;

FIG. 4 is a front plan view thereof; and,

FIG. 5 is a rear plan view thereof.

The broken lines shown in FIGS. 1-3 and 5 represent a pendant structure and cover plate used for mounting the luminaire to a ceiling. The broken line structures form no part of the claimed design.

1 Claim, 4 Drawing Sheets



(56)

References Cited

Jason Bruges Studio, "Mimosa" artwork informational page, circa

U.S. PATENT DOCUMENTS

Dec. 2010.

2012/0300437 A1 11/2012 Lu et al.

2013/0301249 A1* 11/2013 Ngai et al. 362/147

* cited by examiner

OTHER PUBLICATIONS

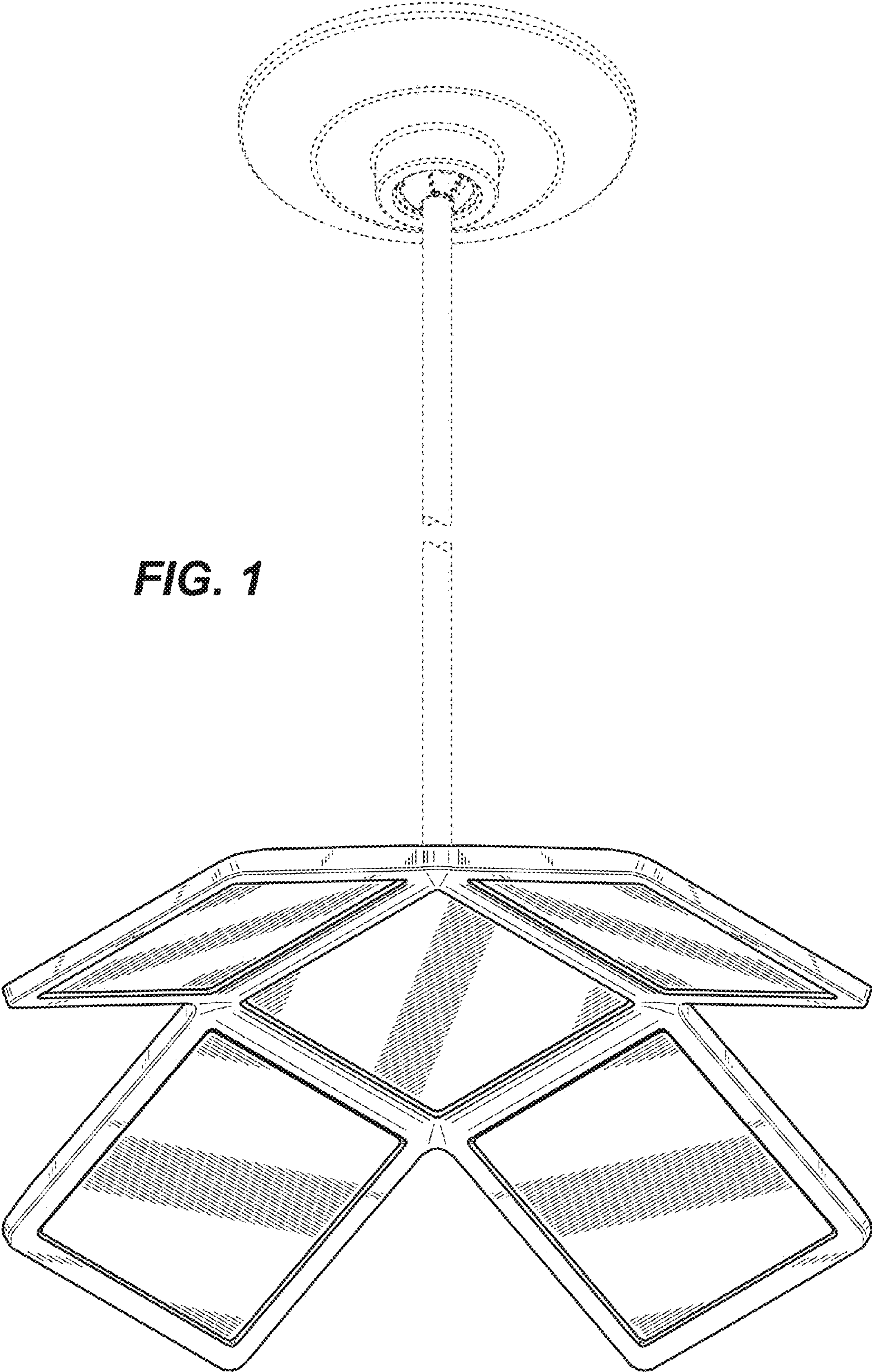


FIG. 1

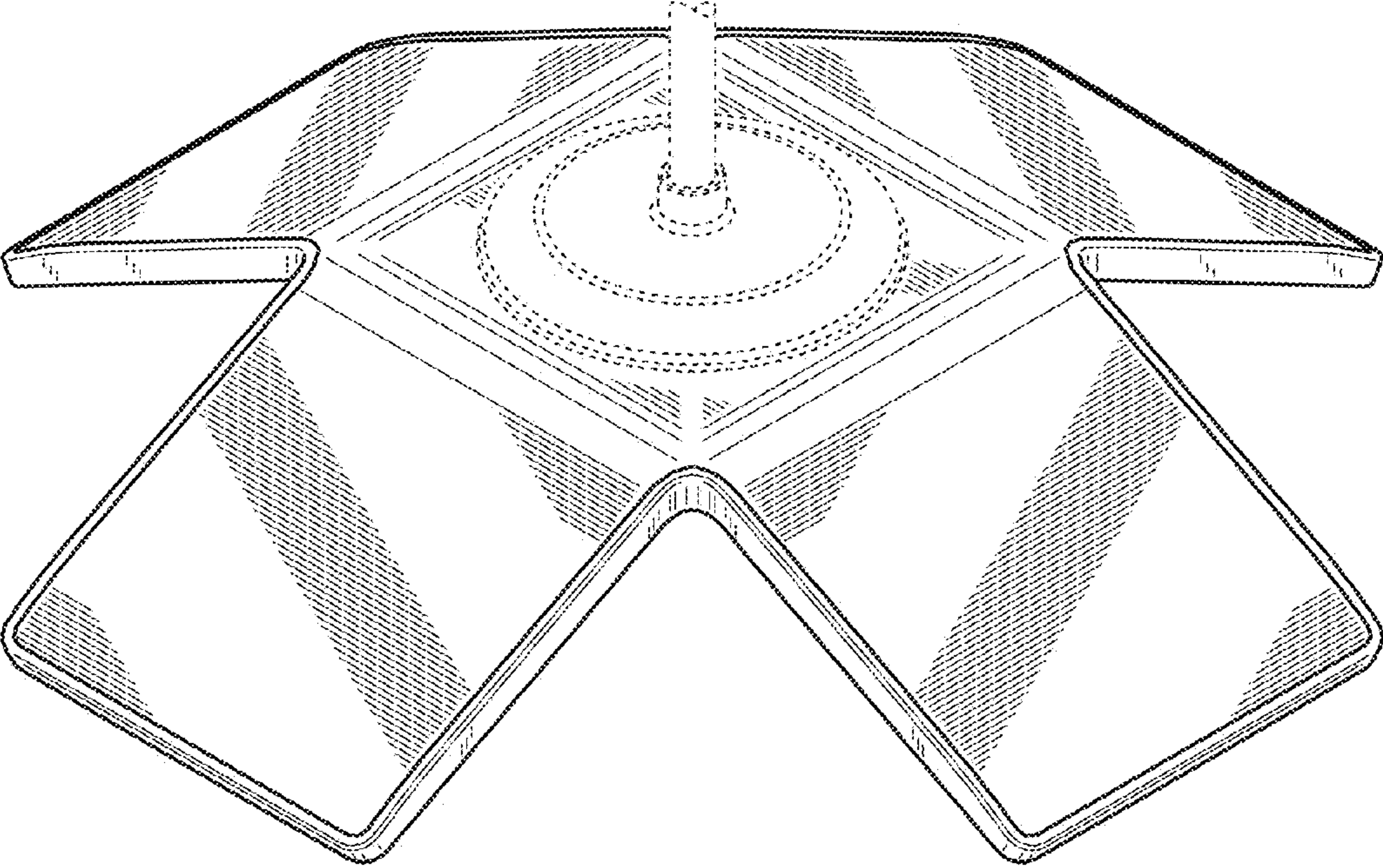


FIG. 2

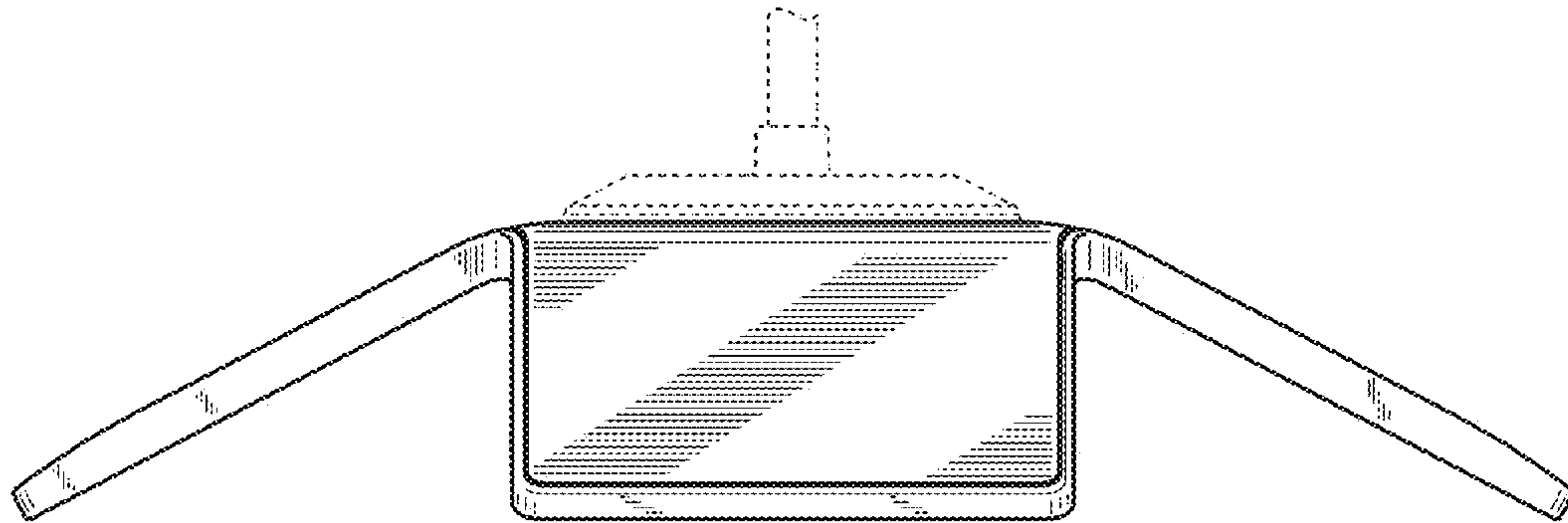


FIG. 3

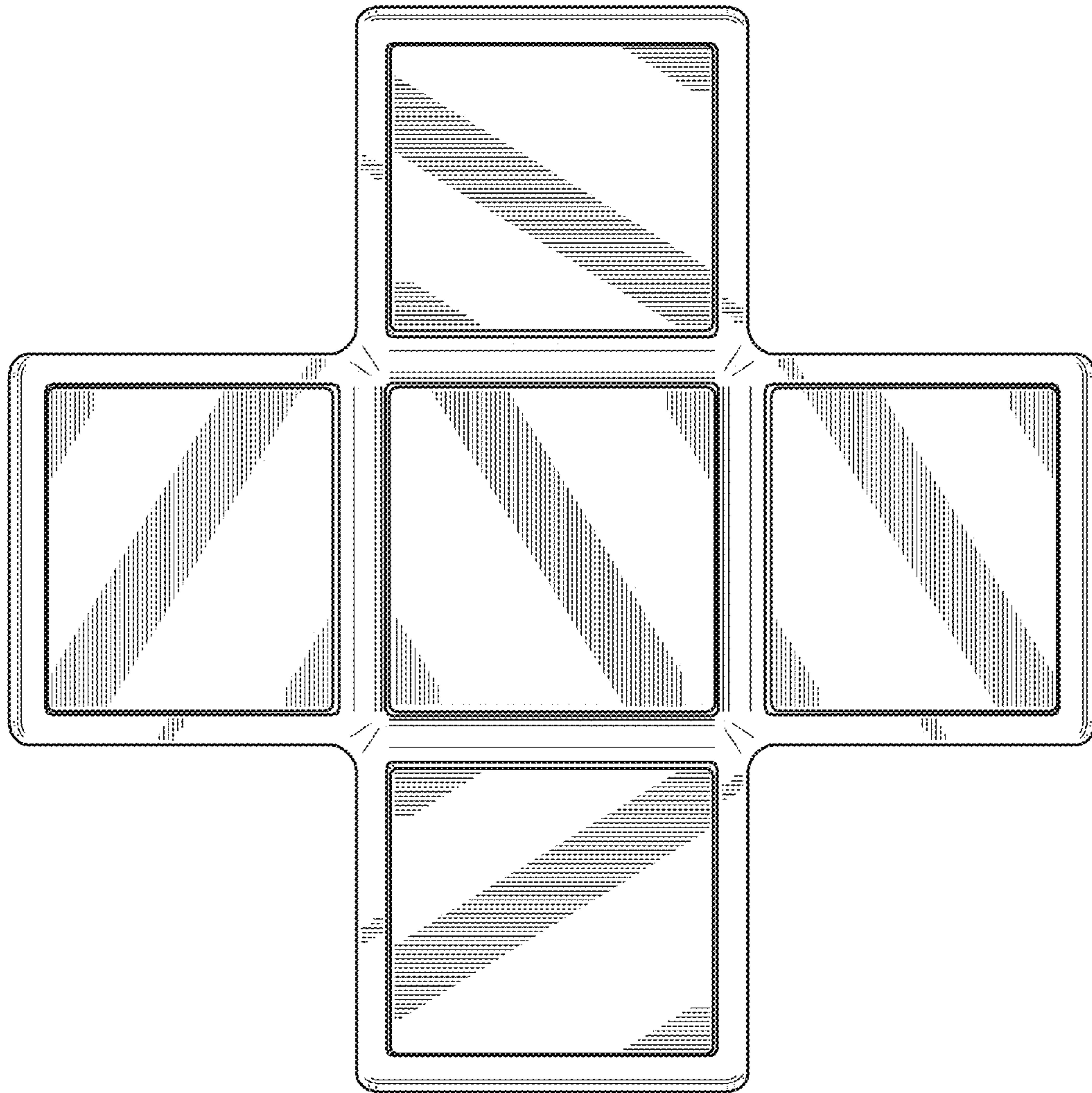


FIG. 4

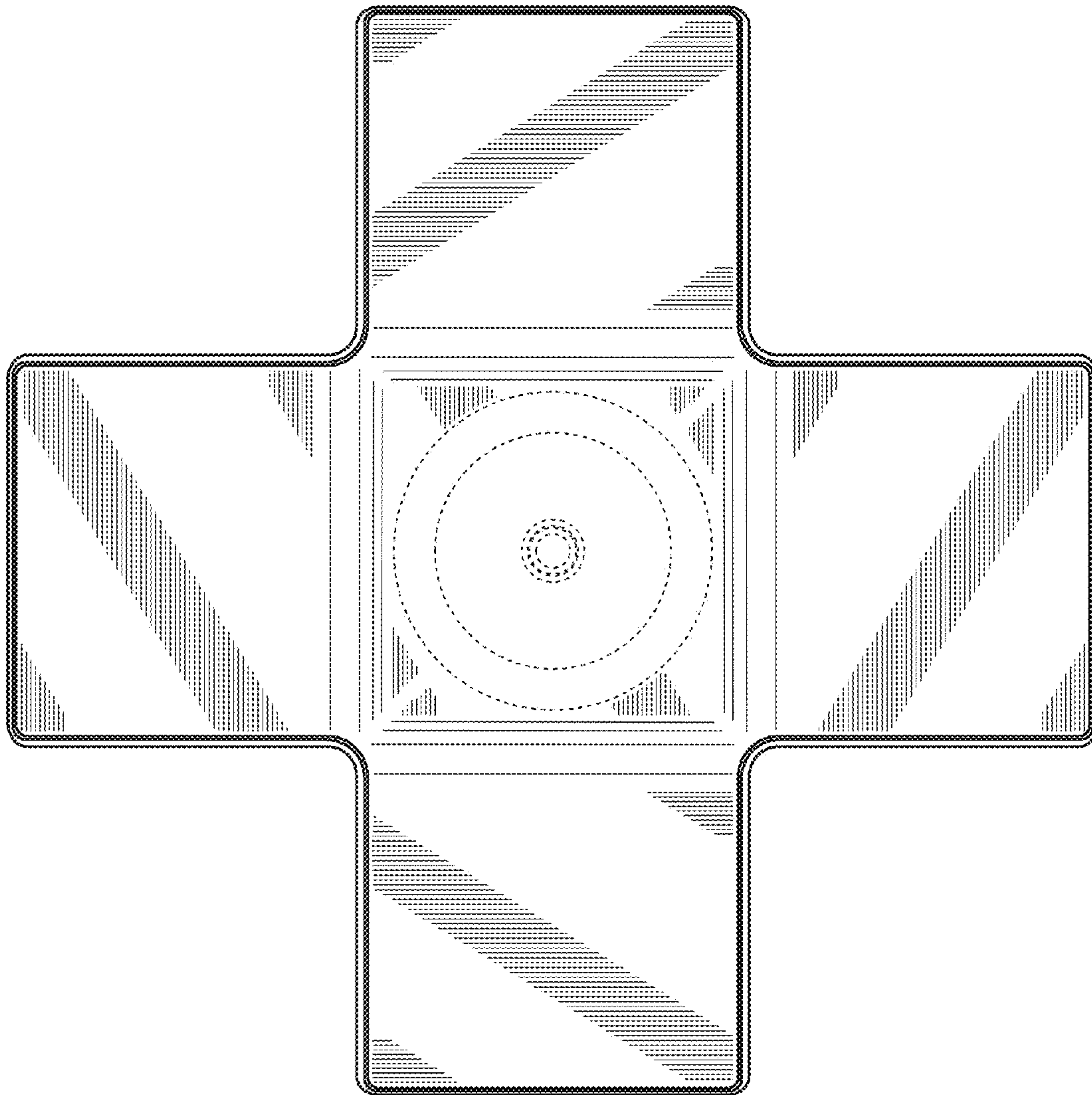


FIG. 5