



US00D732226S

(12) **United States Design Patent**
Hartman

(10) **Patent No.:** **US D732,226 S**
(45) **Date of Patent:** **** Jun. 16, 2015**

(54) **LIGHT FIXTURE**

(71) Applicant: **Michael S. Hartman**, Sinking Spring,
PA (US)

(72) Inventor: **Michael S. Hartman**, Sinking Spring,
PA (US)

(**) Term: **14 Years**

(21) Appl. No.: **29/483,996**

(22) Filed: **Mar. 5, 2014**

(51) **LOC (10) Cl.** **26-03**

(52) **U.S. Cl.**
USPC **D26/76**

(58) **Field of Classification Search**
USPC D26/3, 24, 35, 39, 42, 71, 72, 74, 75,
D26/76, 78, 79, 80, 81, 82, 83, 85, 86, 88,
D26/90, 113, 118, 119, 120, 121, 122, 138;
362/23.07, 23.09, 23.16, 217.01,
362/217.02, 217.05, 217.08, 217.09, 218,
362/249.02, 260, 311.02, 555, 612, 614,
362/800
CPC F21S 2/00; F21S 4/00; F21S 4/003;
F21S 4/005; F21S 4/006; F21S 4/007; F21S
4/008; F21S 6/00; F21S 8/00; F21S 8/024;
F21S 8/026; F21S 8/031; F21S 8/033; F21S
8/035-8/037; F21S 8/04; F21S 8/043; F21S
8/063

See application file for complete search history.

(56) **References Cited**

U.S. PATENT DOCUMENTS

D295,329 S * 4/1988 Roos et al. D26/75
D364,478 S * 11/1995 Pesau D26/76
D399,329 S * 10/1998 Compton et al. D26/76

D401,000 S * 11/1998 Herst D26/76
D438,326 S * 2/2001 Kan D26/76
D608,928 S * 1/2010 Noh D26/76
D647,241 S * 10/2011 Takahashi et al. D26/76
D649,281 S * 11/2011 Sabernig D26/90
D663,065 S * 7/2012 Beghelli D26/76
D693,048 S * 11/2013 Ng et al. D26/89
D709,636 S * 7/2014 Murata et al. D26/72
D724,249 S * 3/2015 Maxik et al. D26/76
2013/0033858 A1 * 2/2013 Sugishita et al. 362/218

* cited by examiner

Primary Examiner — George D Kirschbaum

Assistant Examiner — Natasha Vujcic

(74) *Attorney, Agent, or Firm* — Fox Rothschild LLP

(57) **CLAIM**

The ornamental design for a light fixture, as shown and described.

DESCRIPTION

FIG. 1 is a front perspective view of a light fixture showing my new design;

FIG. 2 is a right side elevational view thereof, the left side being a mirror image;

FIG. 3 is a rear side elevational view thereof;

FIG. 4 is a front side elevational view thereof;

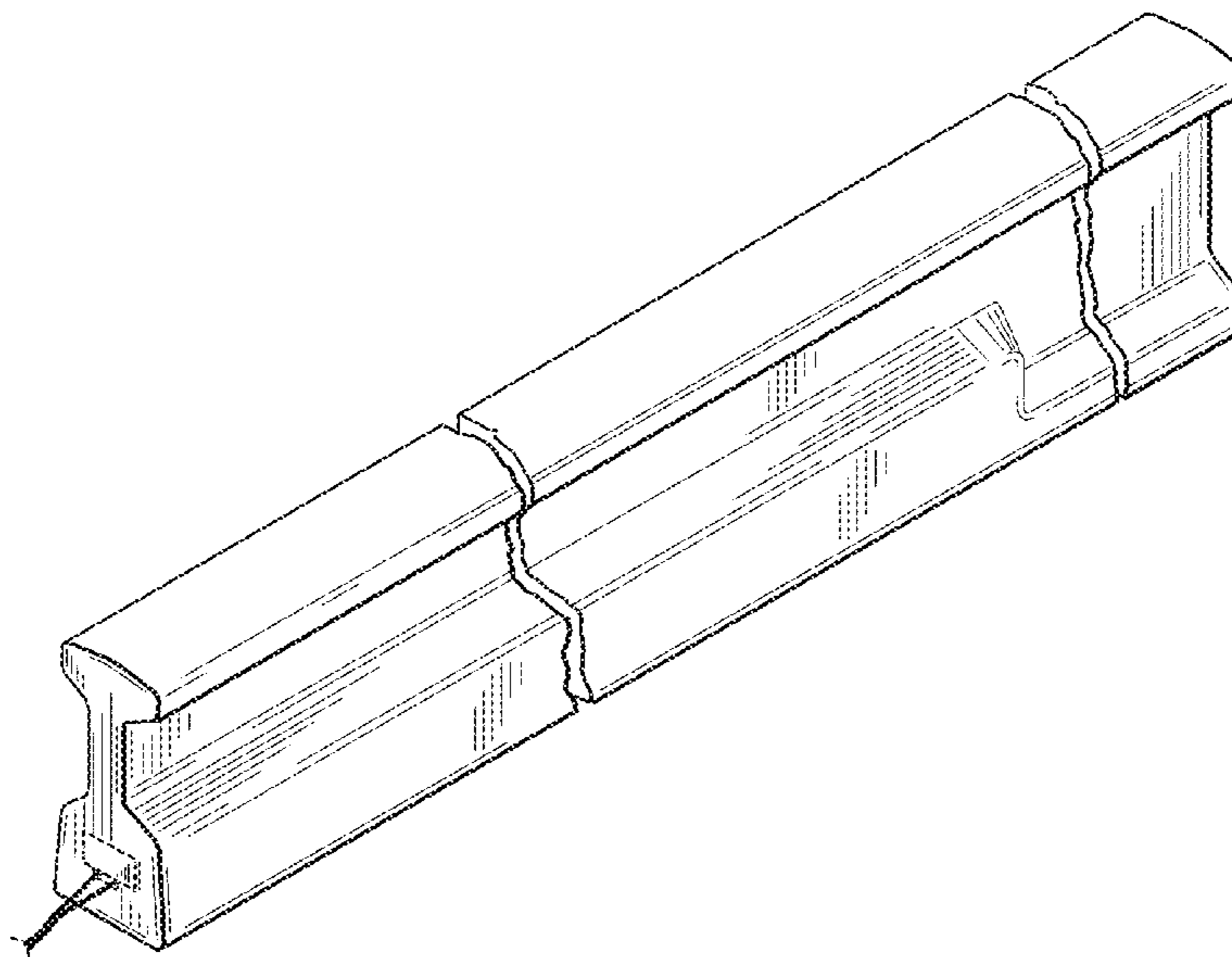
FIG. 5 is a top plan view thereof; and,

FIG. 6 is a bottom plan view thereof.

The broken lines in the drawings illustrate portions of the light fixture and form no part of the claimed design.

The break lines in the drawings indicate that the appearance of any portion of the light fixture between the break lines forms no part of the claimed design. The claimed design can be made of a material capable of allowing light to pass through.

1 Claim, 2 Drawing Sheets



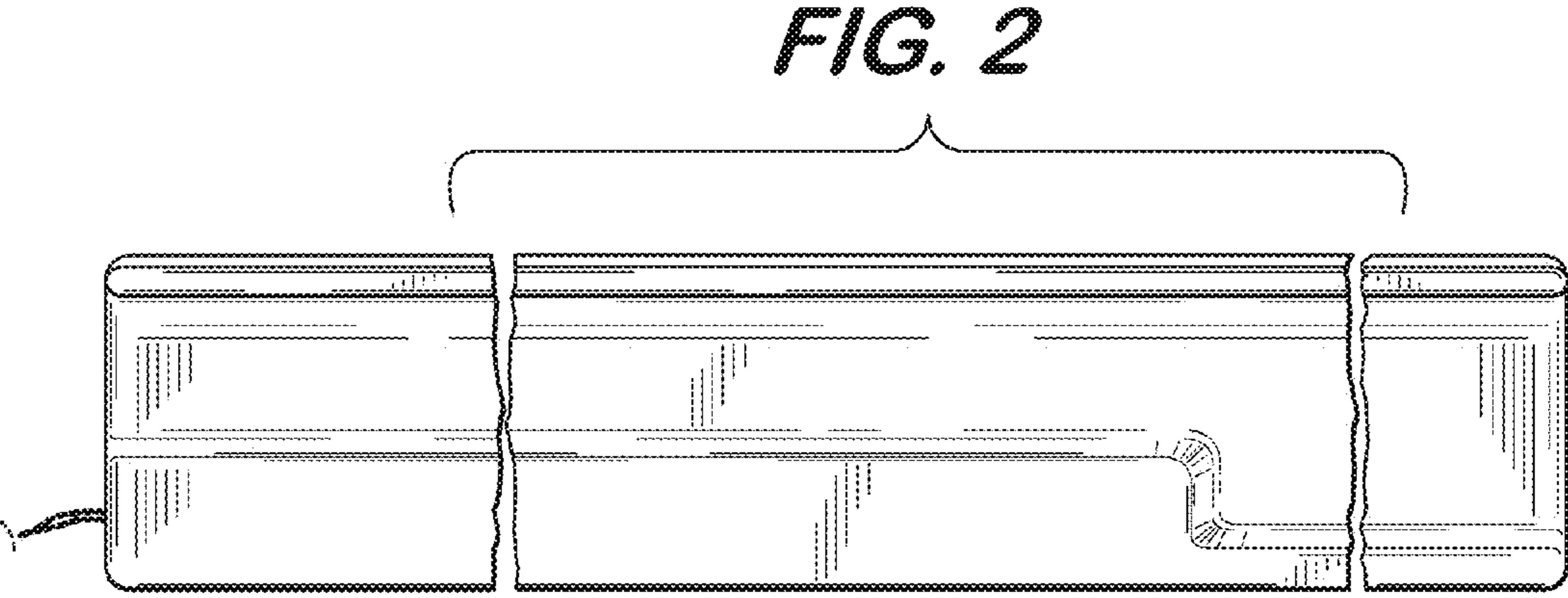
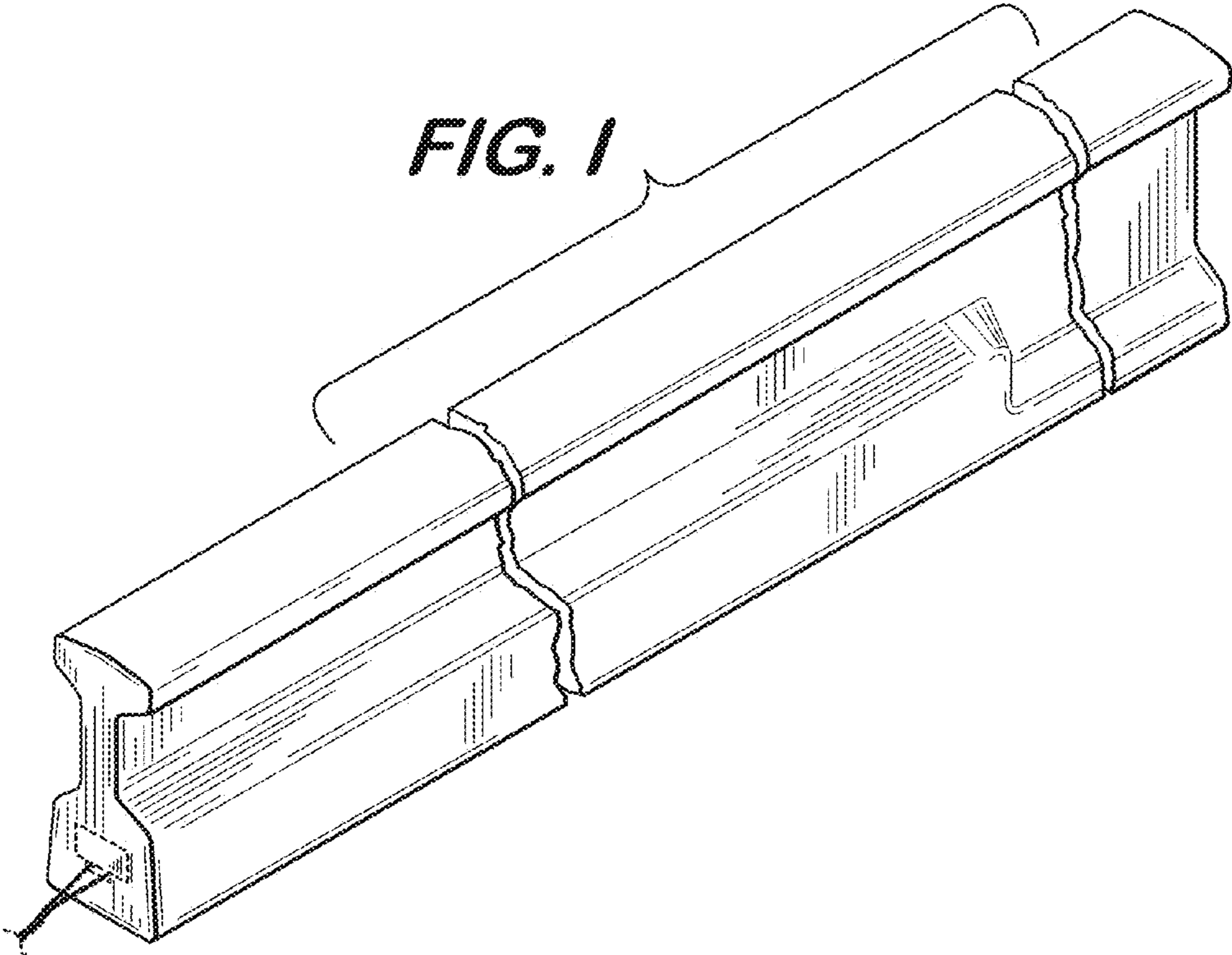


FIG. 3

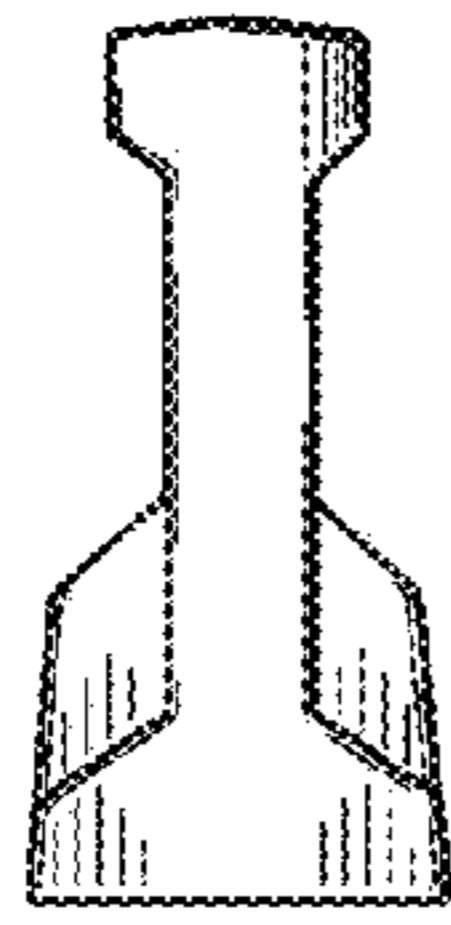


FIG. 4

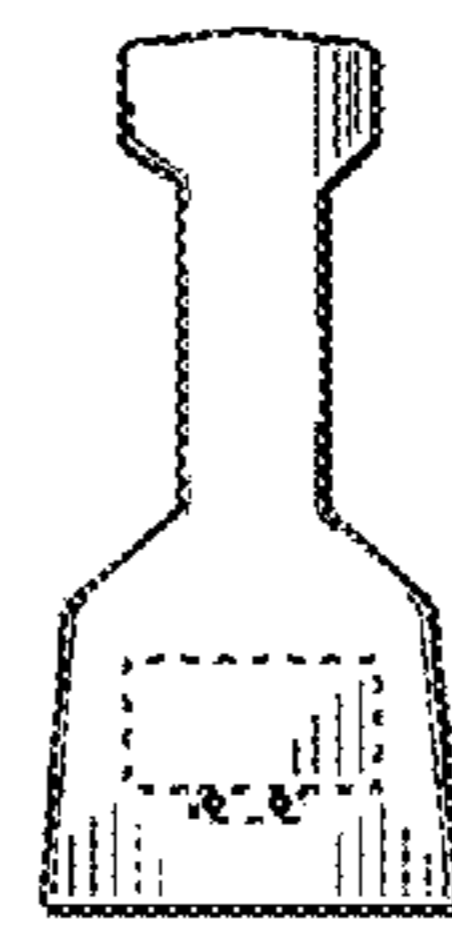


FIG. 5

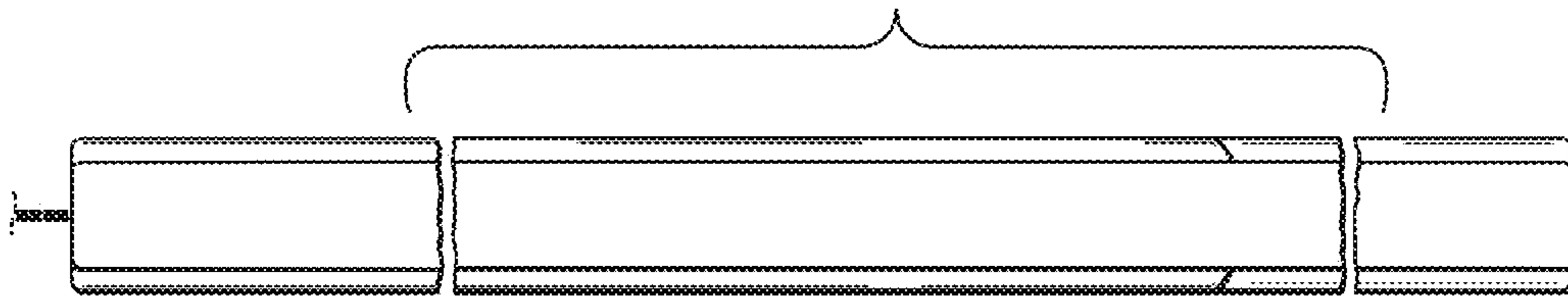


FIG. 6

