

US00D732225S

(12) **United States Design Patent**
Grandsart et al.

(10) **Patent No.:** **US D732,225 S**
(45) **Date of Patent:** **** Jun. 16, 2015**

(54) **LIGHTING FIXTURE**

(71) Applicant: **Kenall Manufacturing Company**,
Gurnee, IL (US)

(72) Inventors: **Dawn Grandsart**, Chicago, IL (US);
Brandon Stolte, Lindenhurst, IL (US);
Steven Akiyama, New Lenox, IL (US)

(73) Assignee: **KENALL MANUFACTURING**
COMPANY, Kenosha, WI (US)

(**) Term: **14 Years**

(21) Appl. No.: **29/475,907**

(22) Filed: **Dec. 9, 2013**

(51) **LOC (10) Cl.** **26-05**

(52) **U.S. Cl.**
USPC **D26/75**

(58) **Field of Classification Search**
USPC D26/3, 24, 35, 39, 42, 71, 72, 75, 76,
D26/78, 79, 80, 81, 82, 83, 85, 88, 90, 118,
D26/119, 120, 121, 122, 138; 362/23.07,
362/23.09, 23.16, 217.01, 217.02, 217.05,
362/217.08, 217.09, 249.02, 260, 311.02,
362/555, 612, 614, 800
CPC F21S 2/00; F21S 4/00; F21S 4/003;
F21S 4/005; F21S 4/006; F21S 4/007; F21S
4/008; F21S 6/00; F21S 8/00; F21S 8/024;
F21S 8/026; F21S 8/031; F21S 8/033; F21S
8/035-8/037; F21S 8/04; F21S 8/043; F21S
8/063

See application file for complete search history.

(56) **References Cited**

U.S. PATENT DOCUMENTS

D292,322 S * 10/1987 Krol D26/75
5,301,090 A 4/1994 Hed

5,738,436 A 4/1998 Cummings et al.
6,197,444 B1 3/2001 Vackar
6,375,338 B1 4/2002 Cummings et al.
D493,245 S * 7/2004 Delson D26/78
D569,027 S * 5/2008 Hakamada D26/76
D581,080 S * 11/2008 Mier-Langner D26/72
D602,626 S * 10/2009 Santoro et al. D26/76
D645,192 S * 9/2011 Chung et al. D26/75
D645,193 S * 9/2011 Chung et al. D26/75
D680,679 S * 4/2013 Kim et al. D26/118
D695,440 S * 12/2013 Kim et al. D26/72
D695,443 S * 12/2013 Kaule et al. D26/76
D700,724 S * 3/2014 Waldmann D26/24

(Continued)

Primary Examiner — Caron D Veynar

Assistant Examiner — Natasha Vujcic

(74) *Attorney, Agent, or Firm* — Marshall, Gerstein & Borun
LLP; Randall G. Rueth

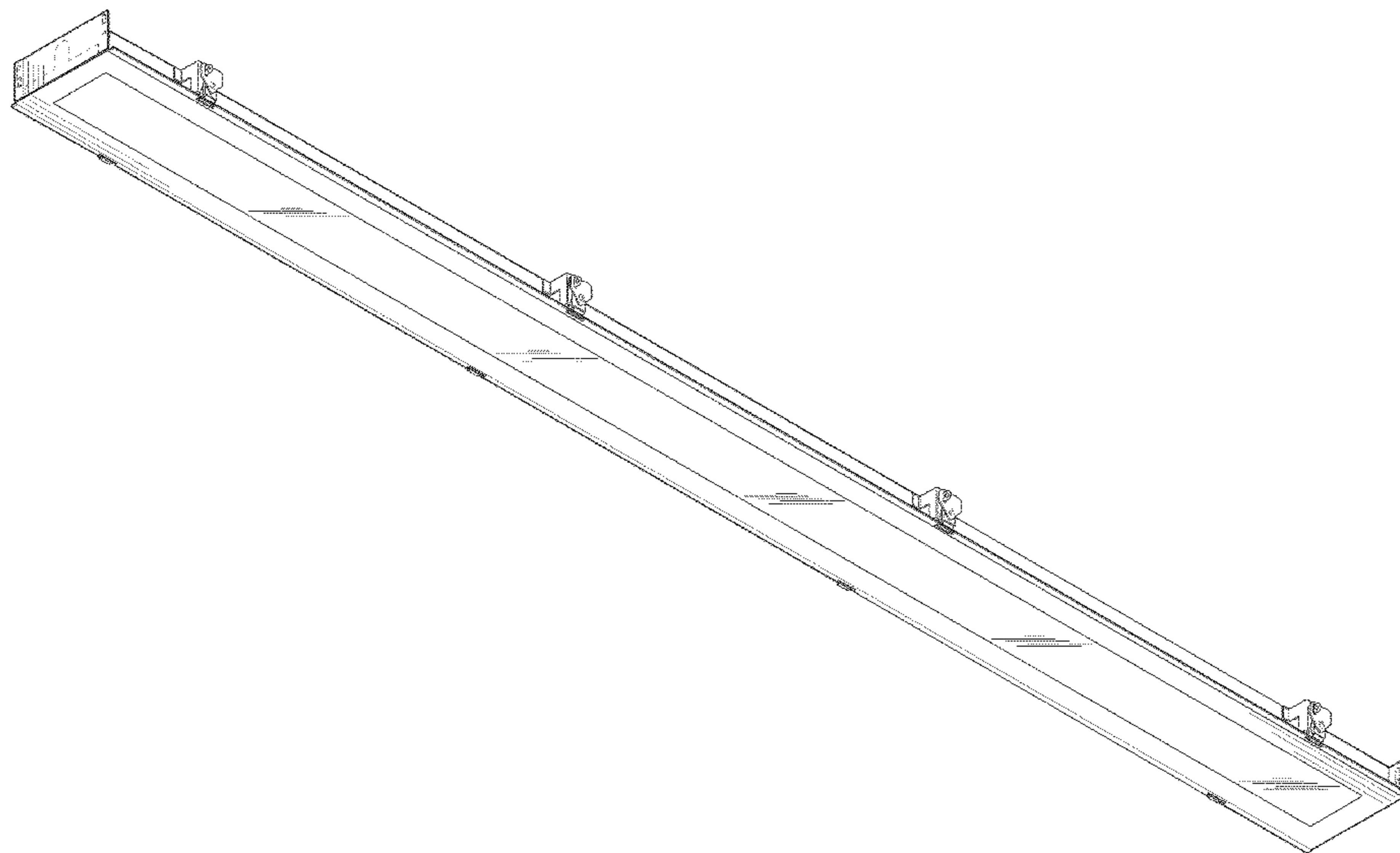
(57) **CLAIM**

The ornamental design for a lighting fixture, as shown and described.

DESCRIPTION

FIG. 1 is a perspective view showing a new design for a lighting fixture;
FIG. 2 is a bottom view of the lighting fixture of FIG. 1;
FIG. 3 is a top view of the lighting fixture of FIG. 1;
FIG. 4 is a front view of the lighting fixture of FIG. 1;
FIG. 5 is a rear view of the lighting fixture of FIG. 1;
FIG. 6 is a left-side view of the lighting fixture of FIG. 1; and,
FIG. 7 is a right-side view of the lighting fixture of FIG. 1.
The dashed lines showing portions of the driver housing are included for the purpose of illustrating environment and form no part of the claimed design.
Where the figures show the article broken away, they are understood to indicate unclaimed length or width.

1 Claim, 5 Drawing Sheets



(56)

References Cited

U.S. PATENT DOCUMENTS

D707,880 S * 6/2014 Magnusson D26/120
 D712,582 S * 9/2014 Yanping D26/74
 2004/0082209 A1 4/2004 Zenaboni
 2004/0105264 A1 6/2004 Spero
 2007/0076459 A1 4/2007 Limpkin
 2009/0073692 A1 3/2009 Berger et al.
 2009/0290343 A1 11/2009 Brown et al.
 2010/0085748 A1 4/2010 Kelly et al.
 2010/0110684 A1 5/2010 Abdelsamed et al.
 2010/0142202 A1 6/2010 Sugishita et al.
 2010/0280677 A1 11/2010 Budike, Jr.
 2011/0164411 A1 7/2011 Sparing et al.

2011/0273877 A1 11/2011 Reed et al.
 2012/0159821 A1 6/2012 Miletich et al.
 2012/0176795 A1 7/2012 Lynch
 2012/0217882 A1 8/2012 Wong et al.
 2012/0249016 A1 10/2012 Smith
 2012/0293086 A1 11/2012 Ishikita et al.
 2012/0294000 A1 11/2012 Thomas et al.
 2013/0003373 A1 1/2013 Hamby et al.
 2013/0027935 A1 1/2013 Ladewig et al.
 2013/0058108 A1 3/2013 Blincoe et al.
 2013/0062724 A1 3/2013 Tokuyama et al.
 2013/0063935 A1 3/2013 Thrailkill
 2013/0077311 A1 3/2013 Kinnune et al.
 2013/0208471 A1 8/2013 Lueken et al.

* cited by examiner

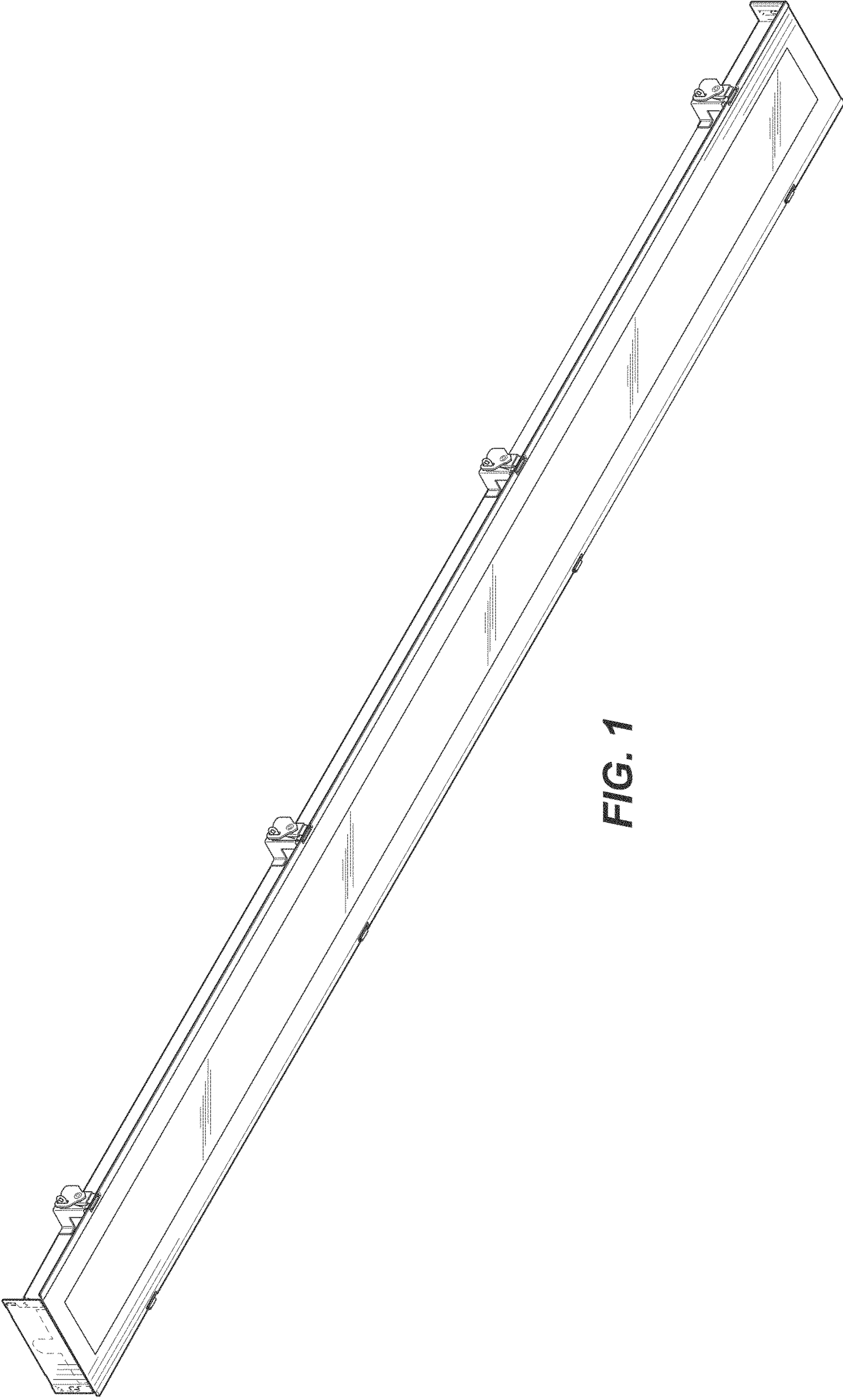


FIG. 1

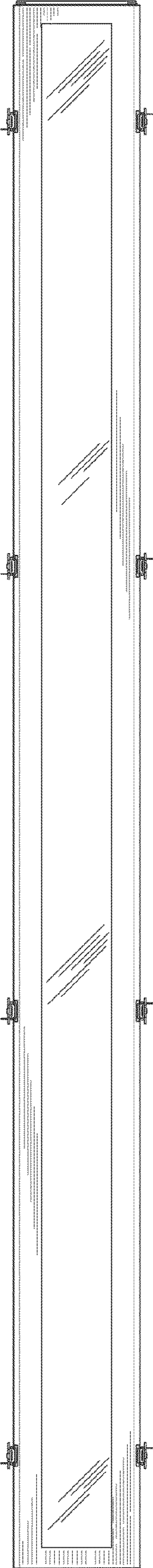


FIG. 2

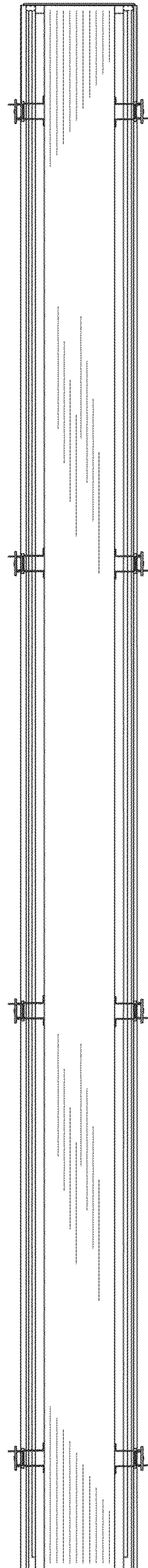


FIG. 3



FIG. 4



FIG. 5

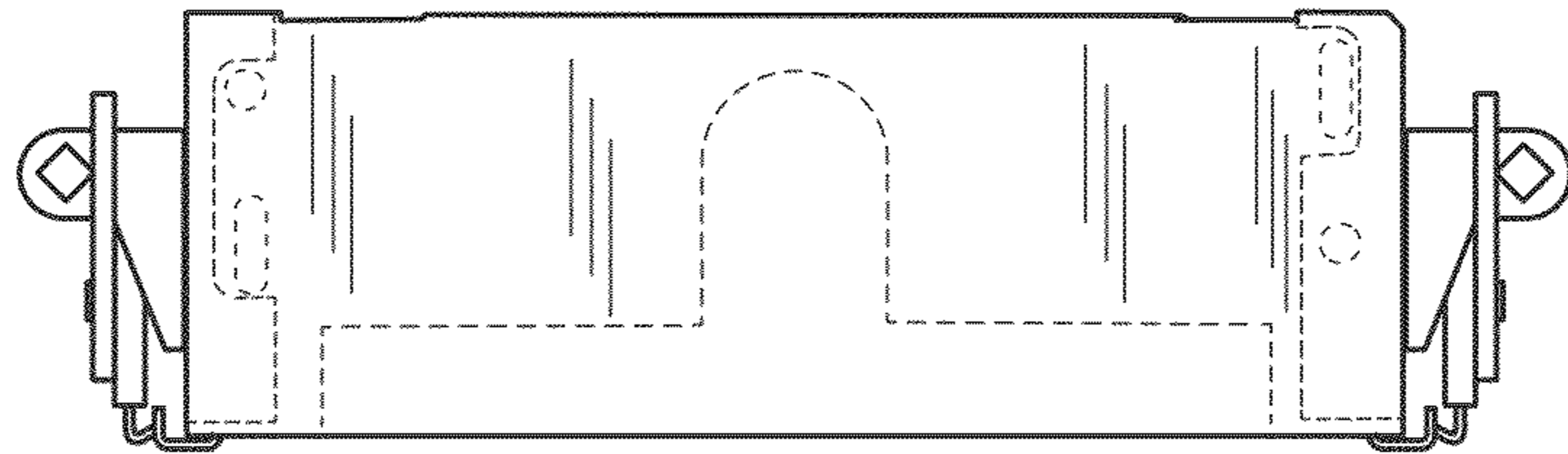


FIG. 6

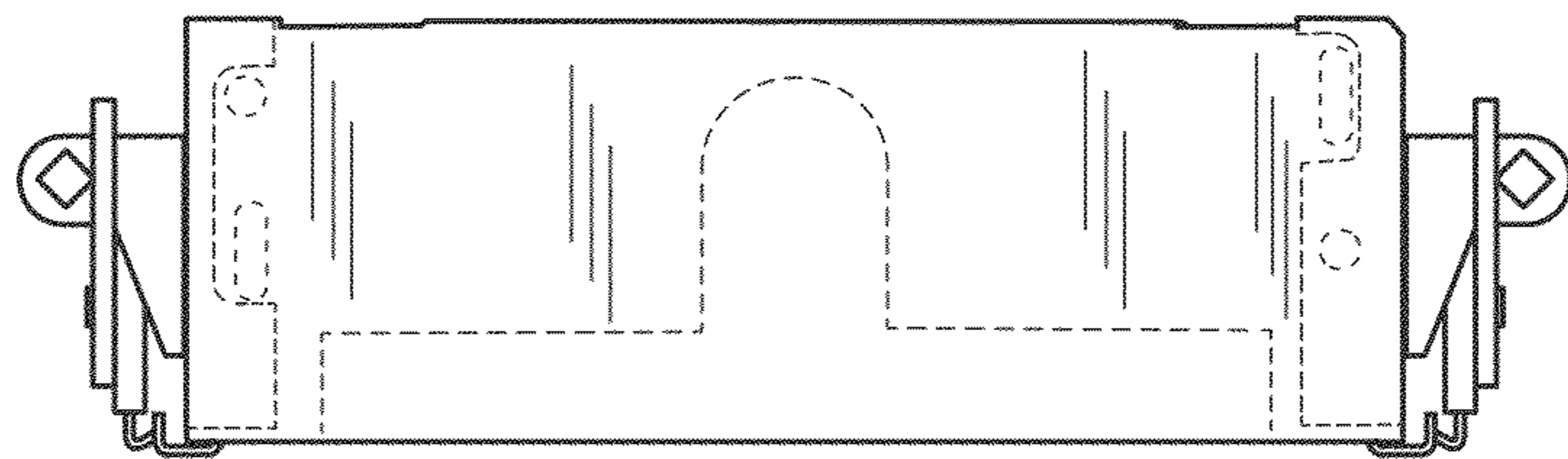


FIG. 7