



US00D732223S

(12) **United States Design Patent**
Ahrari et al.

(10) **Patent No.:** **US D732,223 S**
(45) **Date of Patent:** **** Jun. 16, 2015**

- (54) **LIGHT FIXTURE**
- (71) Applicant: **Hubbell Incorporated**, Shelton, CT (US)
- (72) Inventors: **Armin Ahrari**, Glendale, CA (US);
Robert Nankil, Buena Park, CA (US)
- (73) Assignee: **Hubbell Incorporated**, Shelton, CT (US)
- (**) Term: **14 Years**
- (21) Appl. No.: **29/490,749**
- (22) Filed: **May 13, 2014**
- (51) **LOC (10) Cl.** **26-03**
- (52) **U.S. Cl.**
USPC **D26/71; D26/85**
- (58) **Field of Classification Search**
USPC D26/69, 70, 71, 72, 85, 92, 118;
362/431, 432; D25/126
CPC F21V 15/01; F21V 17/107; F21V 19/02;
F21S 8/033; F21S 8/043; F21S 8/085; F21S
8/086; F21S 8/088; F21W 2131/103; F21W
2131/107
See application file for complete search history.

(56) **References Cited**

U.S. PATENT DOCUMENTS

D198,812 S *	8/1964	Pettengill	D26/71
D265,765 S *	8/1982	Hawkins	D26/85
D408,576 S *	4/1999	Crosby	D26/85
D465,593 S *	11/2002	Chang	D26/72
D541,971 S *	5/2007	Hamel et al.	D26/85
D553,783 S *	10/2007	Loftus et al.	D26/85
D556,945 S	12/2007	Compton		
D563,587 S	3/2008	Quiogue et al.		
D566,318 S	4/2008	Quiogue et al.		
D568,521 S	5/2008	Compton		

D568,532 S	5/2008	Compton		
D574,102 S	7/2008	Quiogue et al.		
D608,040 S *	1/2010	Guercio	D26/71
D608,935 S *	1/2010	Pedersen	D26/85
D629,152 S *	12/2010	Laporte	D26/120
D629,953 S *	12/2010	Laporte	D26/71
D670,021 S	10/2012	Ahrari et al.		
D672,078 S *	12/2012	Lui et al.	D26/71
D672,901 S *	12/2012	Chiesurin	D26/85

(Continued)

Primary Examiner — Clare E Heflin

(74) *Attorney, Agent, or Firm* — Michael Best & Friedrich, LLP

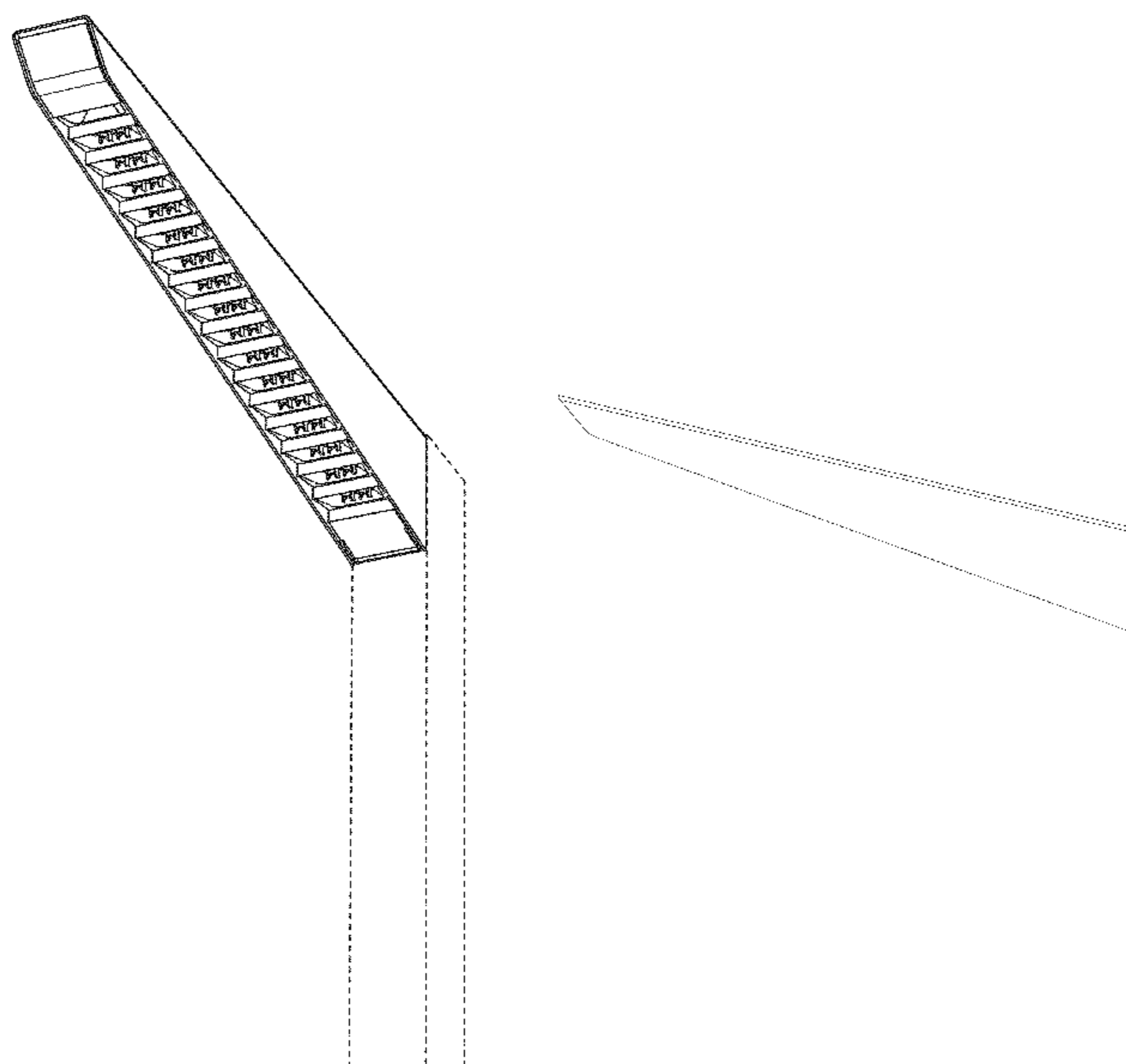
(57) **CLAIM**

The ornamental design for a light fixture, as shown and described.

DESCRIPTION

FIG. 1 is a perspective view of the light fixture as it would mount to the side of a pole;
 FIG. 2 is a top plan view of the light fixture of FIG. 1;
 FIG. 3 is a front elevational view of the light fixture of FIG. 1;
 FIG. 4 is a side elevational view of the light fixture of FIG. 1;
 FIG. 5 is a rear elevational view of the light fixture of FIG. 1;
 FIG. 6 is a bottom plan view of the light fixture of FIG. 1;
 FIG. 7 is a top perspective view of the light fixture of FIG. 1;
 FIG. 8 is a bottom perspective view of the light fixture of FIG. 1;
 FIG. 9 is a bottom plan view of the light fixture of FIG. 1 with an outer lens;
 FIG. 10 is a front elevational view of the light fixture of FIG. 9; and,
 FIG. 11 is a bottom perspective view of the light fixture of FIG. 9.
 The broken lines are for illustrative purposes only and form no part of the claimed design.

1 Claim, 3 Drawing Sheets



(56)

References Cited

U.S. PATENT DOCUMENTS

D673,720 S 1/2013 Bailey et al.
D674,950 S 1/2013 Lueken et al.
8,342,709 B2 1/2013 Lueken et al.
D677,419 S * 3/2013 Sauvage D26/92

D680,258 S 4/2013 Ahrari et al.
D680,259 S 4/2013 Ahrari et al.
D713,987 S 9/2014 Toms
2009/0103288 A1 * 4/2009 Boyer et al. 362/153.1
2012/0217897 A1 * 8/2012 Gordin et al. 315/294
2014/0347856 A1 * 11/2014 Deng et al. 362/249.02

* cited by examiner

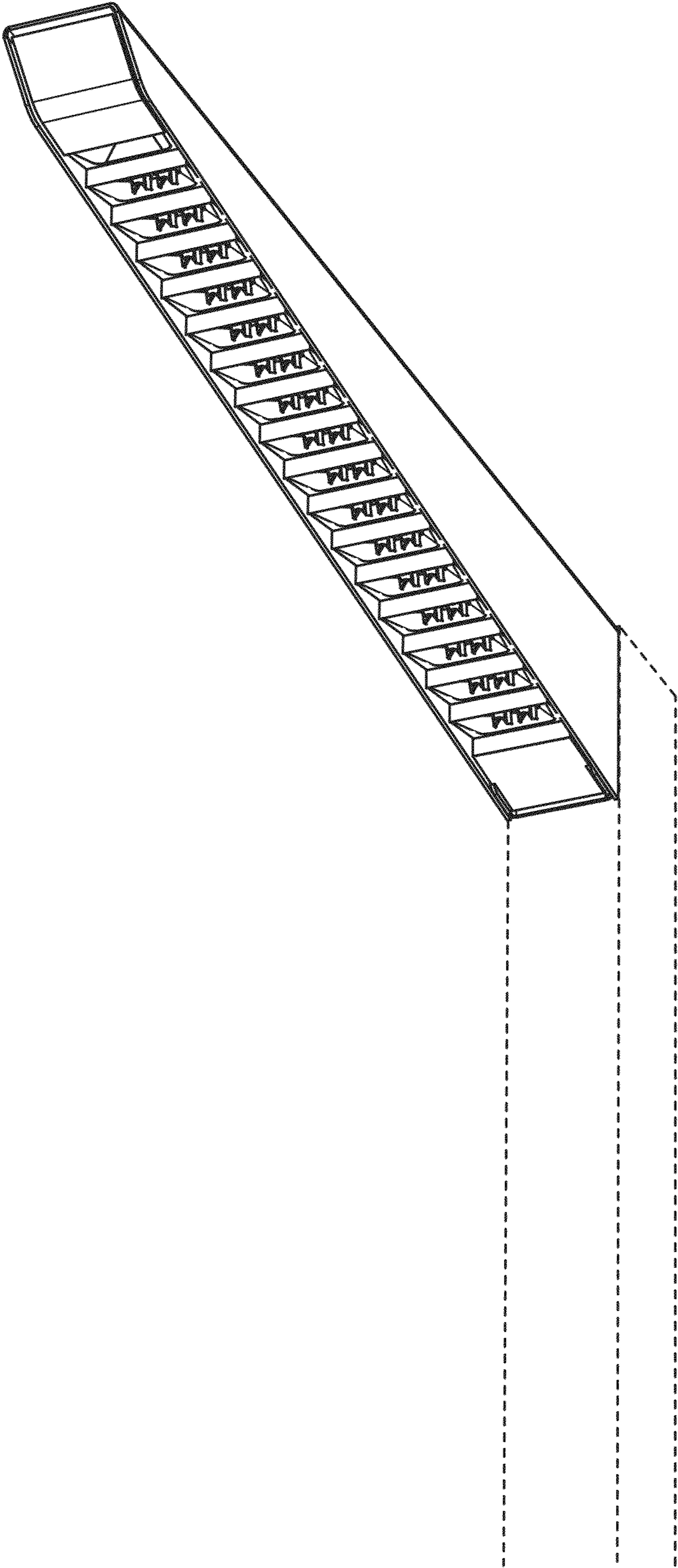


FIG. 1

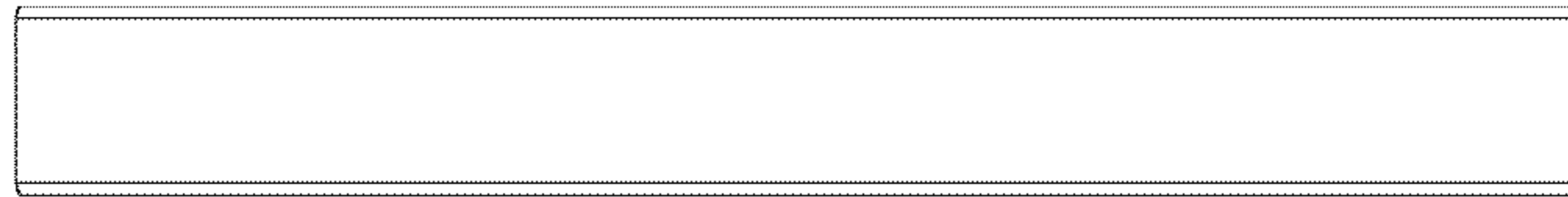


FIG. 2

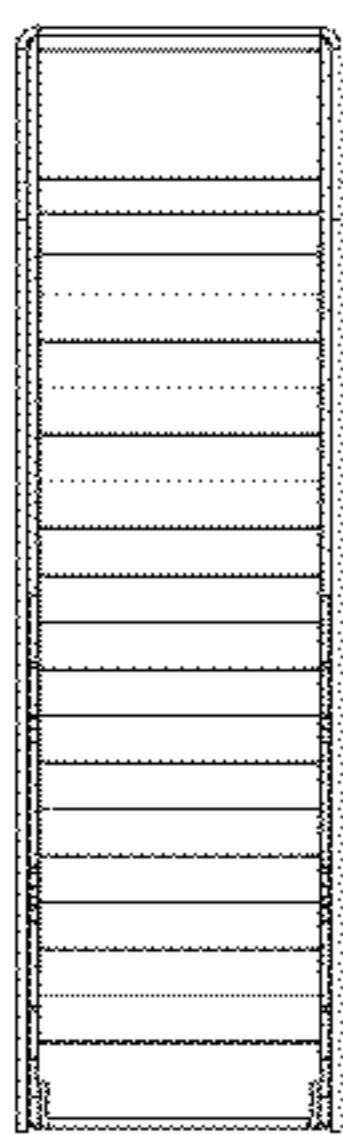


FIG. 3

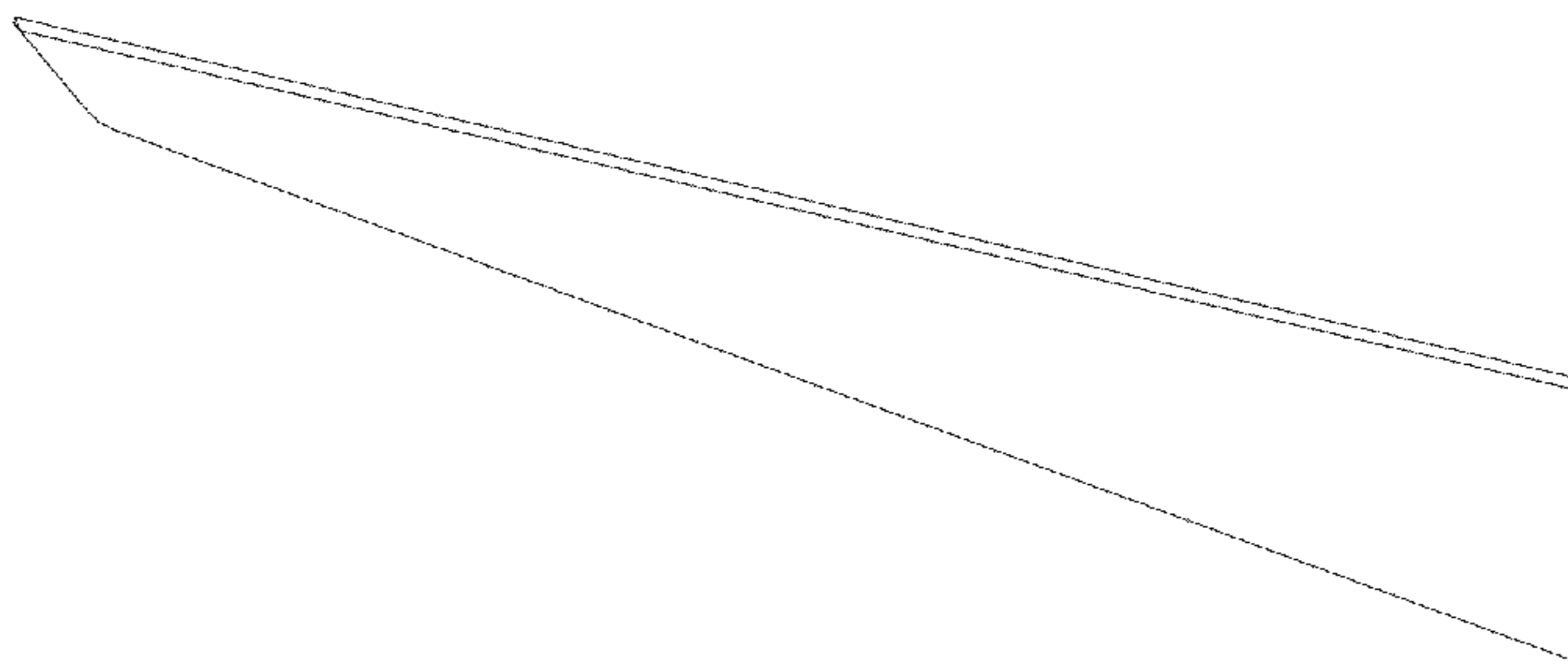


FIG. 4

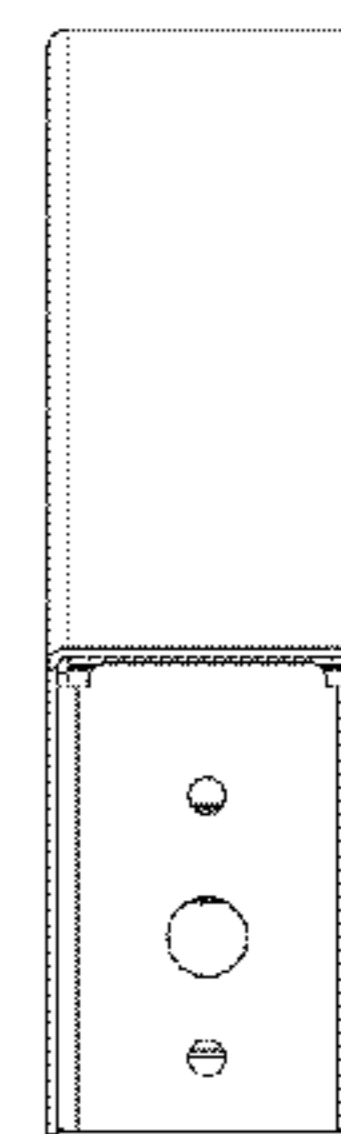


FIG. 5

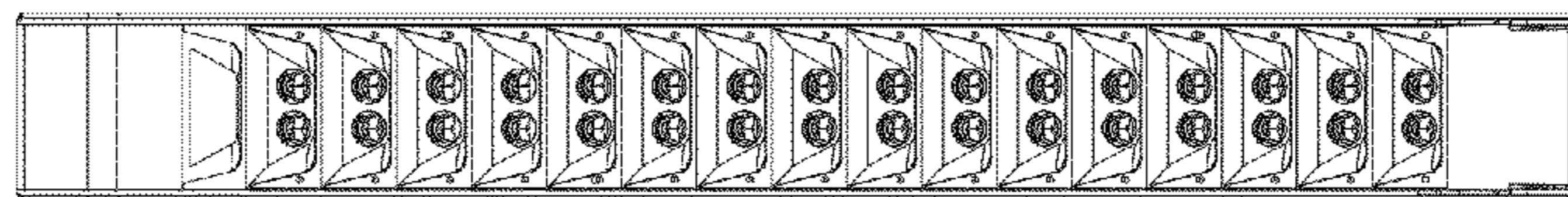


FIG. 6

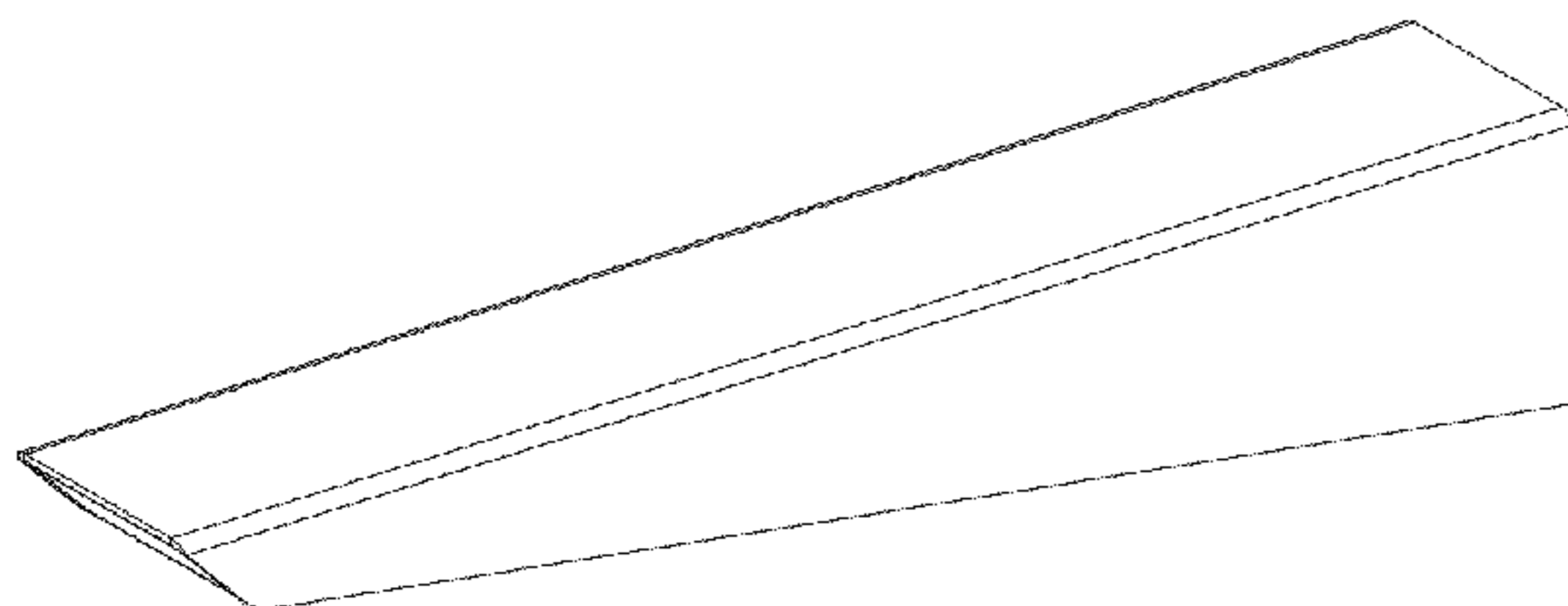


FIG. 7

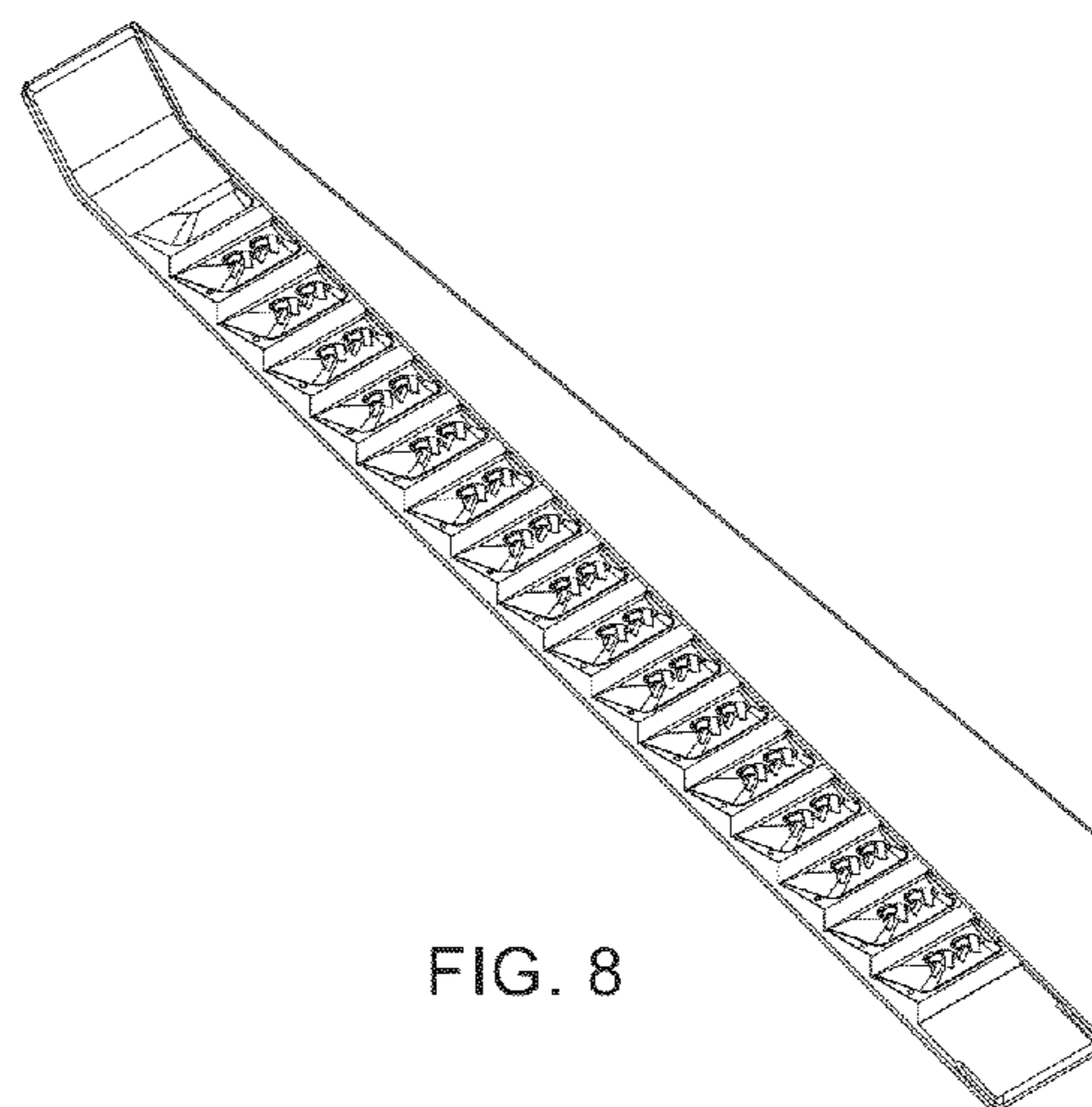


FIG. 8

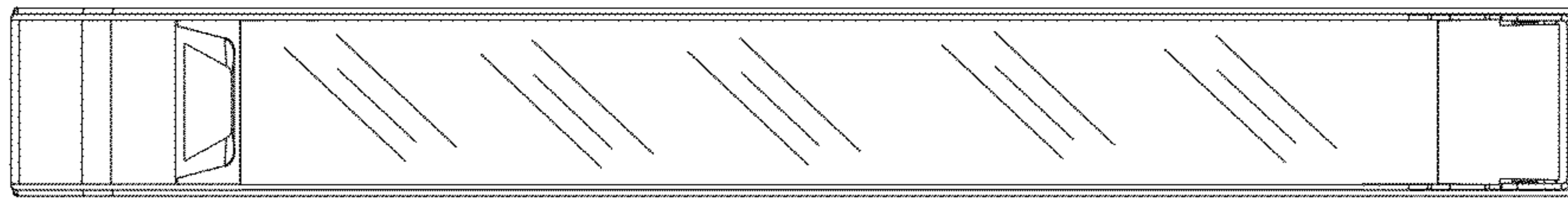


FIG. 9

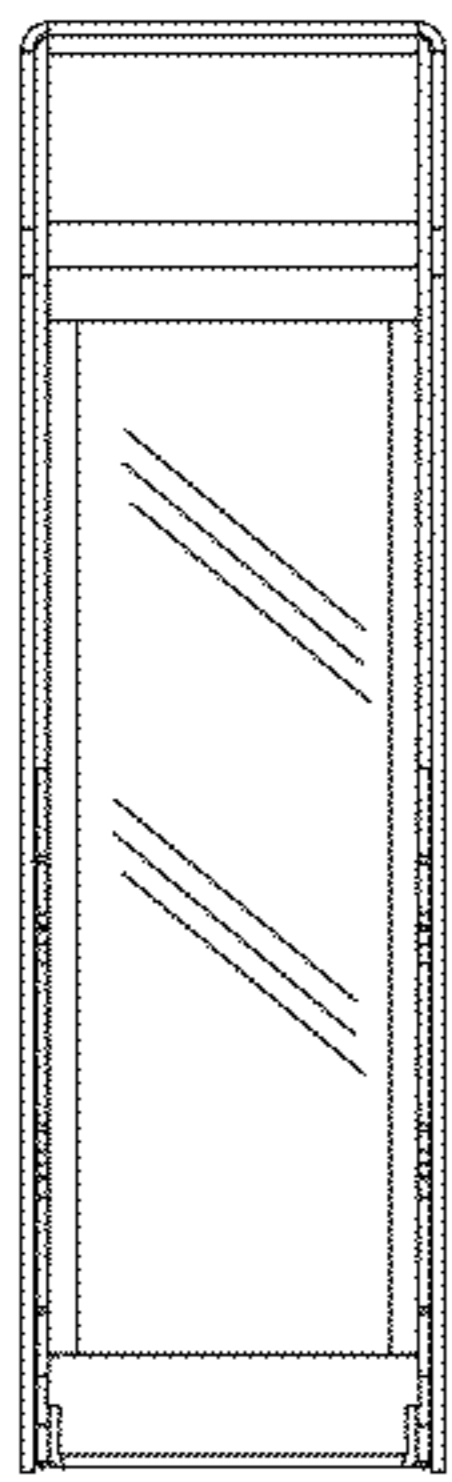


FIG. 10

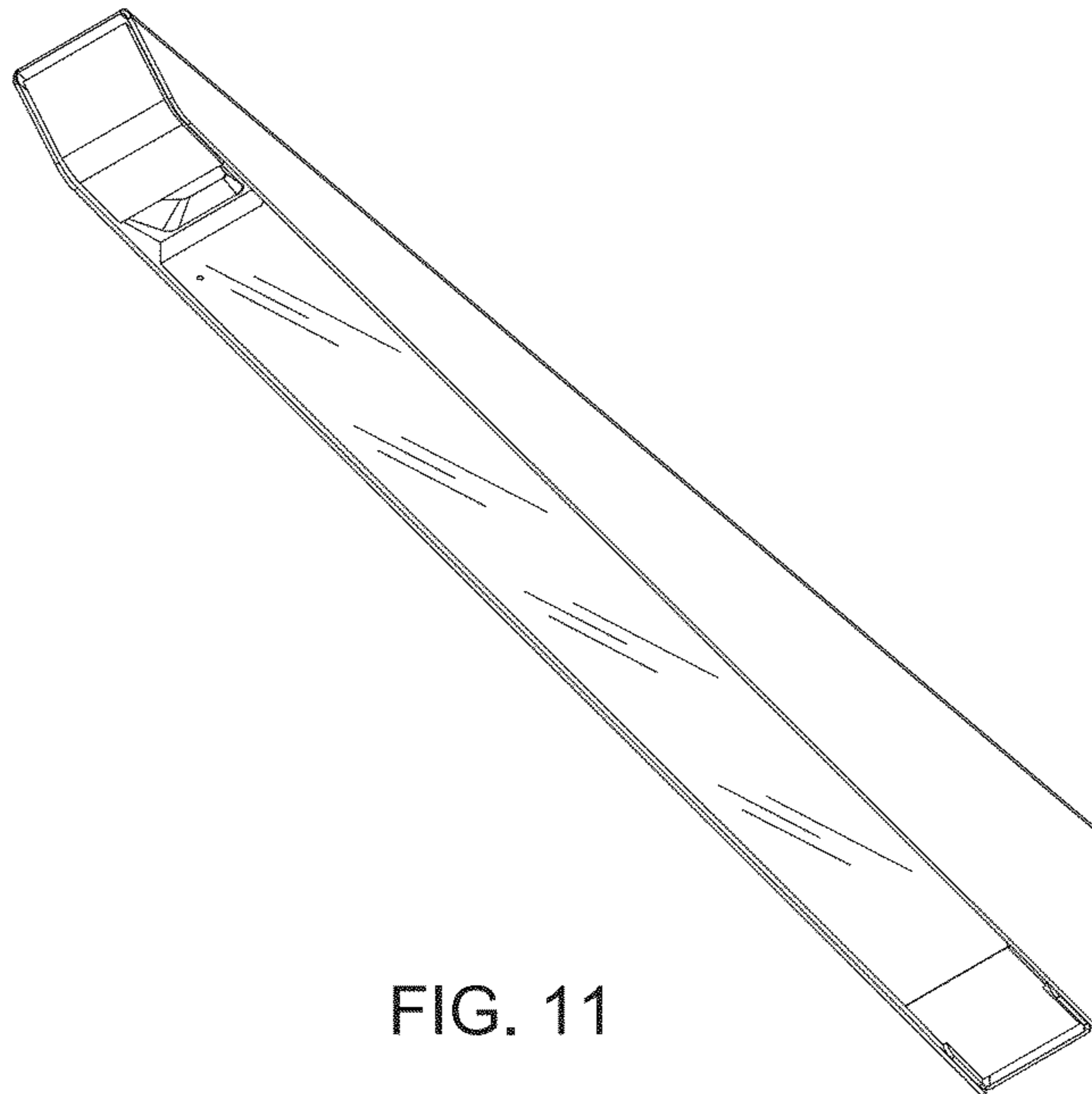


FIG. 11