



US00D732221S

(12) **United States Design Patent**  
**Almodova**

(10) **Patent No.:** **US D732,221 S**  
(45) **Date of Patent:** **\*\* \*Jun. 16, 2015**

- (54) **LAMP**
- (75) Inventor: **Michael Almodova**, San Francisco, CA (US)
- (73) Assignee: **Restoration Hardware, Inc.**, Corte Madera, CA (US)
- (\*) Notice: This patent is subject to a terminal disclaimer.
- (\*\*) Term: **14 Years**
- (21) Appl. No.: **29/429,749**
- (22) Filed: **Aug. 15, 2012**
- (51) **LOC (10) Cl.** ..... **26-03**
- (52) **U.S. Cl.**  
USPC ..... **D26/65**
- (58) **Field of Classification Search**  
USPC ..... D26/24, 61-67, 93, 102, 104-105, 107, 108-10, 107; 362/509, 516, 523, 186, 362/217, 255, 257, 277, 317, 319, 351, 354, 362/355, 357, 358, 362, 382, 410, 413, 417, 362/806  
CPC ..... F21S 2/00; F21S 48/1159; F21S 48/1104; F21S 10/046; F21S 10/026; F21S 48/1721  
See application file for complete search history.

- D484,998 S 1/2004 Cvek
- D525,382 S 7/2006 Chen
- D570,514 S \* 6/2008 Iai et al. .... D26/65
- D623,335 S 9/2010 Huang
- D642,728 S \* 8/2011 Lewis ..... D26/110

**OTHER PUBLICATIONS**

Restoration Hardware Home Catalog; Late Summer 2008; Cover Page, pp. 47,60 and 63.  
 Restoration Hardware Home, Famous Fall Lighting Sale pamphlet ; (2008); Cover page, pp. 5, 14, 15, 16 and 17.  
 Restoration Hardware Home Catalog, Early Spring 2009; Cover page, pp. 41, and 135.  
 Restoration Hardware Catalog, "There Are Pieces That Furnish A Home. And Those That Define It." (2009) Cover page, pp. 4, 8, 11, 30, 38, 43 and 153.  
 Restoration Hardware Famous Fall Lighting Sale (2009); Cover page, pp. 43, 58, 59, 98, 99, 100, 101, 105, and 217.  
 Restoration Hardware Celebrate Catalog, Holiday 2010; Cover page & pp. 66, 88, 93, 95, 115, 116, 117, 120, 123, 139, 153, 156 and 167.

(Continued)

*Primary Examiner* — Brian N Vinson  
 (74) *Attorney, Agent, or Firm* — Lewis Roca Rothgerber LLP

(57) **CLAIM**  
 The ornamental design for a lamp, as shown and described.

**DESCRIPTION**

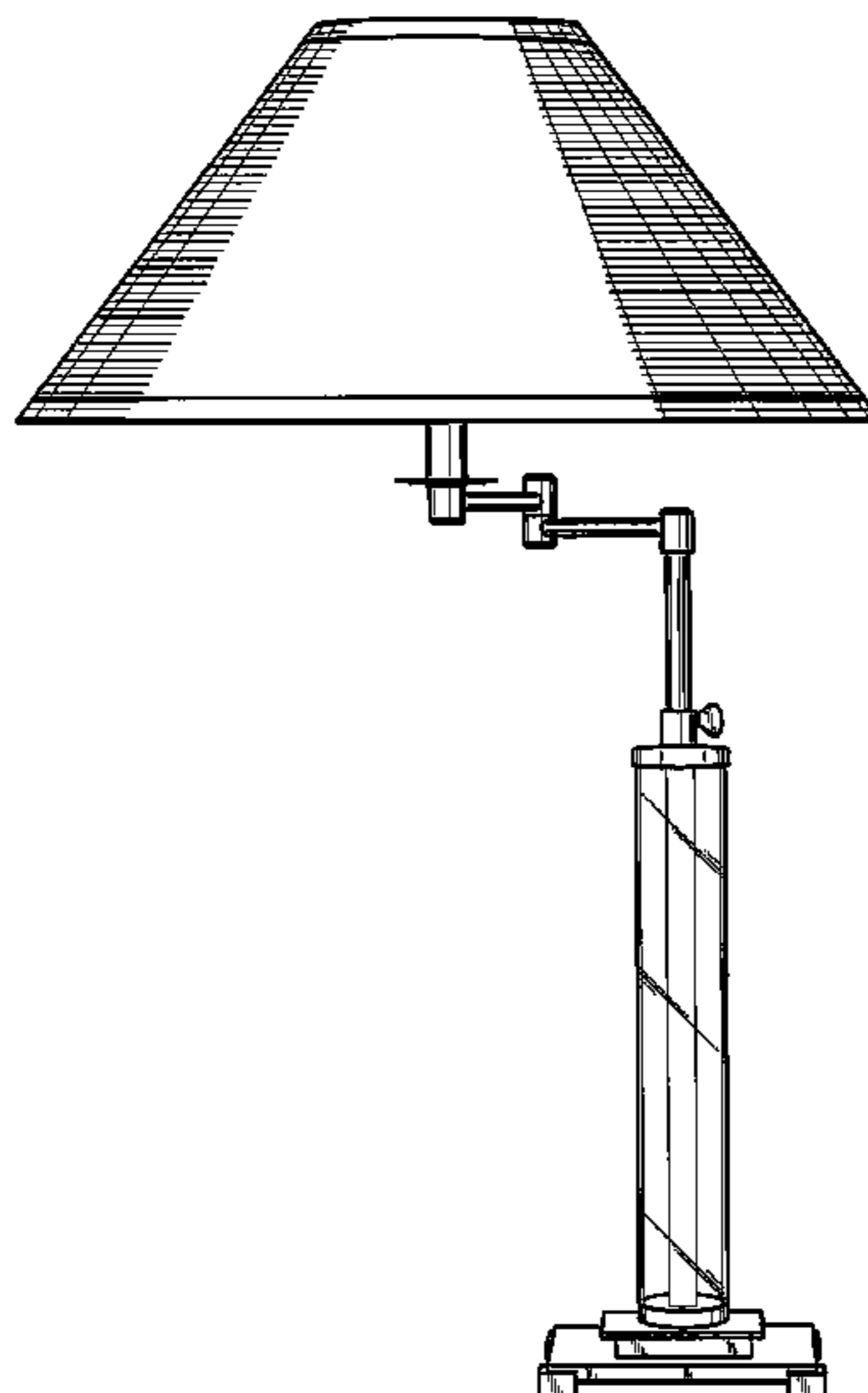
The present application is related to co-pending U.S. design patent application Ser. No. 29/429,750 filed Aug. 15, 2012. FIG. 1 is a perspective view of an embodiment of a lamp showing my new design; FIG. 2 is a front elevation view thereof; FIG. 3 is a right side elevation thereof; and, FIG. 4 is a left side elevation view thereof.

**1 Claim, 4 Drawing Sheets**

(56) **References Cited**

**U.S. PATENT DOCUMENTS**

- D122,711 S 9/1940 May
- 3,983,386 A 9/1976 Schallenkammer
- D302,735 S 8/1989 De Lucchi
- D305,155 S 12/1989 De Lucchi
- D345,027 S 3/1994 Huang
- D374,735 S 10/1996 Huang
- D423,705 S 4/2000 Swanson
- D432,695 S \* 10/2000 Chen ..... D26/65



(56)

**References Cited**

OTHER PUBLICATIONS

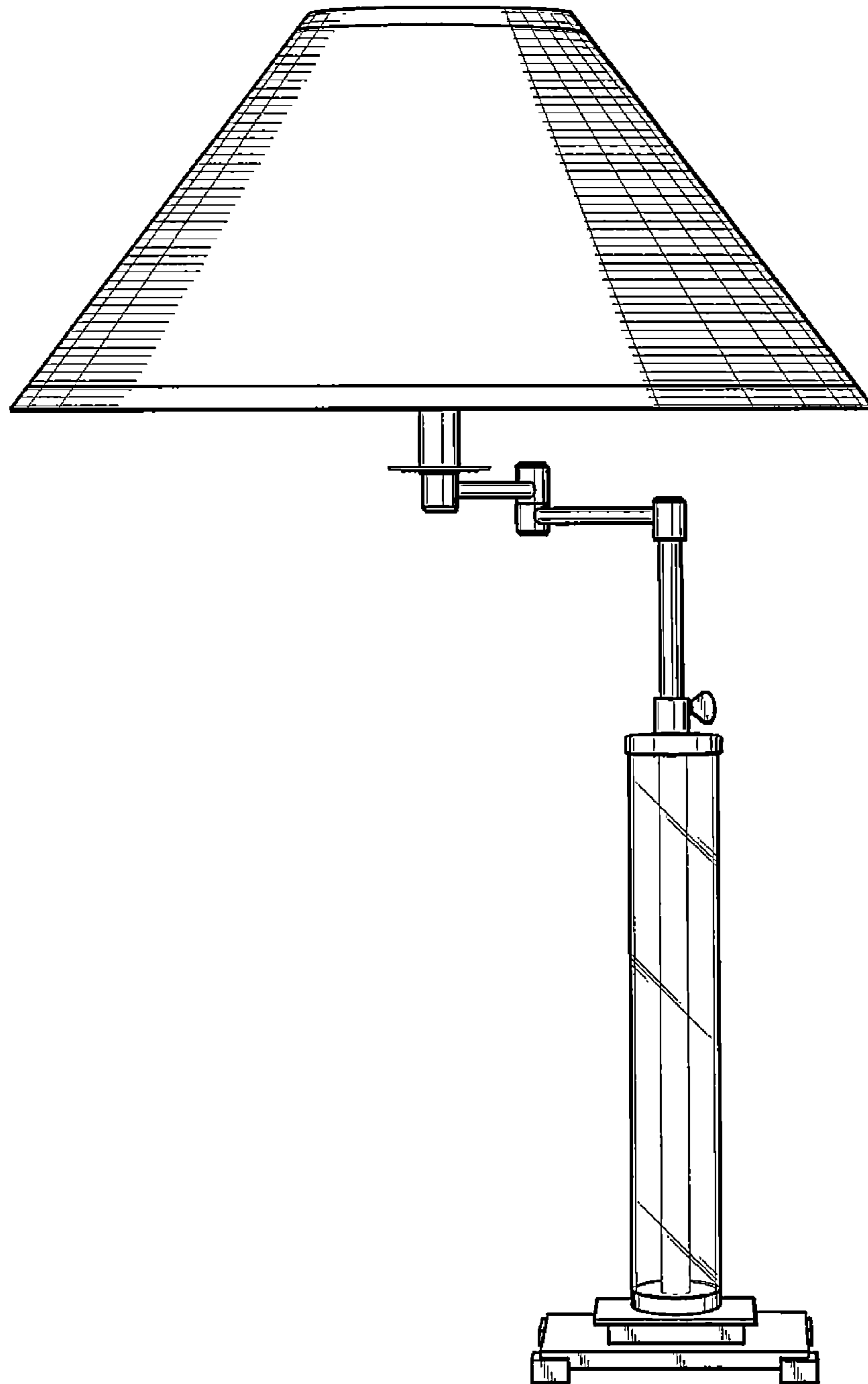
Restoration Hardware The Fall Lighting Event 2010; Cover page, pp. 12, 14, 32, 44, 49, 83, 94, 97, 121, 137, 139, 141, 142 and 153.  
Restoration Hardware Catalog, "Welcome To Your New Home", Spring 2011 Source Book; Cover page, pp. 298, 299, 300, 301, 302, 303, 307, 312, 313, 314 and 315.

Restoration Hardware The Spring 2011 Source Book; Cover page, pp. 13, 15, 58, 70, 77, 84, 87, 106, 108, 113, 120, 135, 136, 145, 146, 162, 200,.

Restoration Hardware Fall 2011 Source Book; Cover page, pp. 172, 449, 450, 451, 459, 460, 463, 465, 467, and 469.

Restoration Hardware Spring 2012 Catalog; cover page, pp. 492-493.

\* cited by examiner



**FIG. 1**

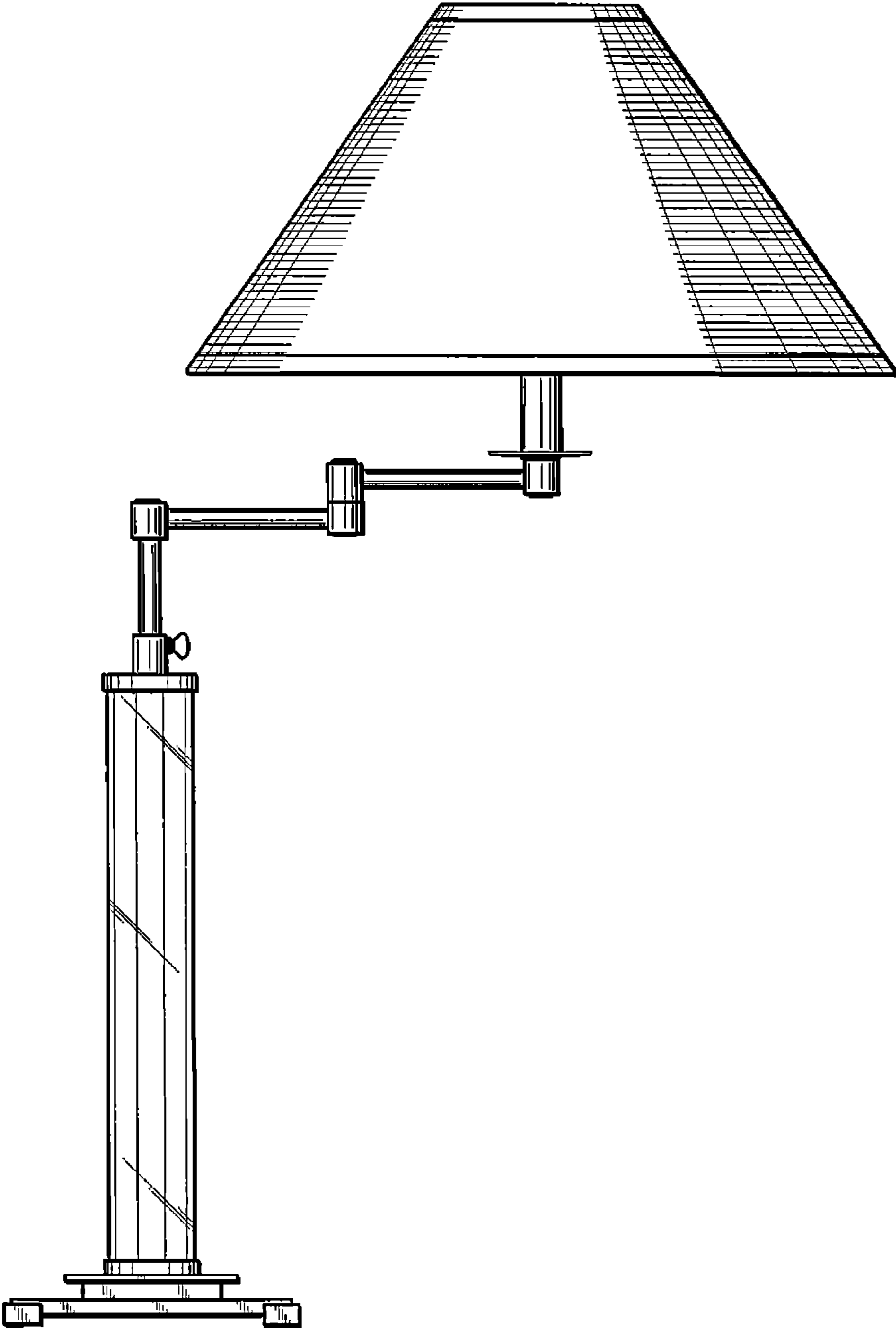
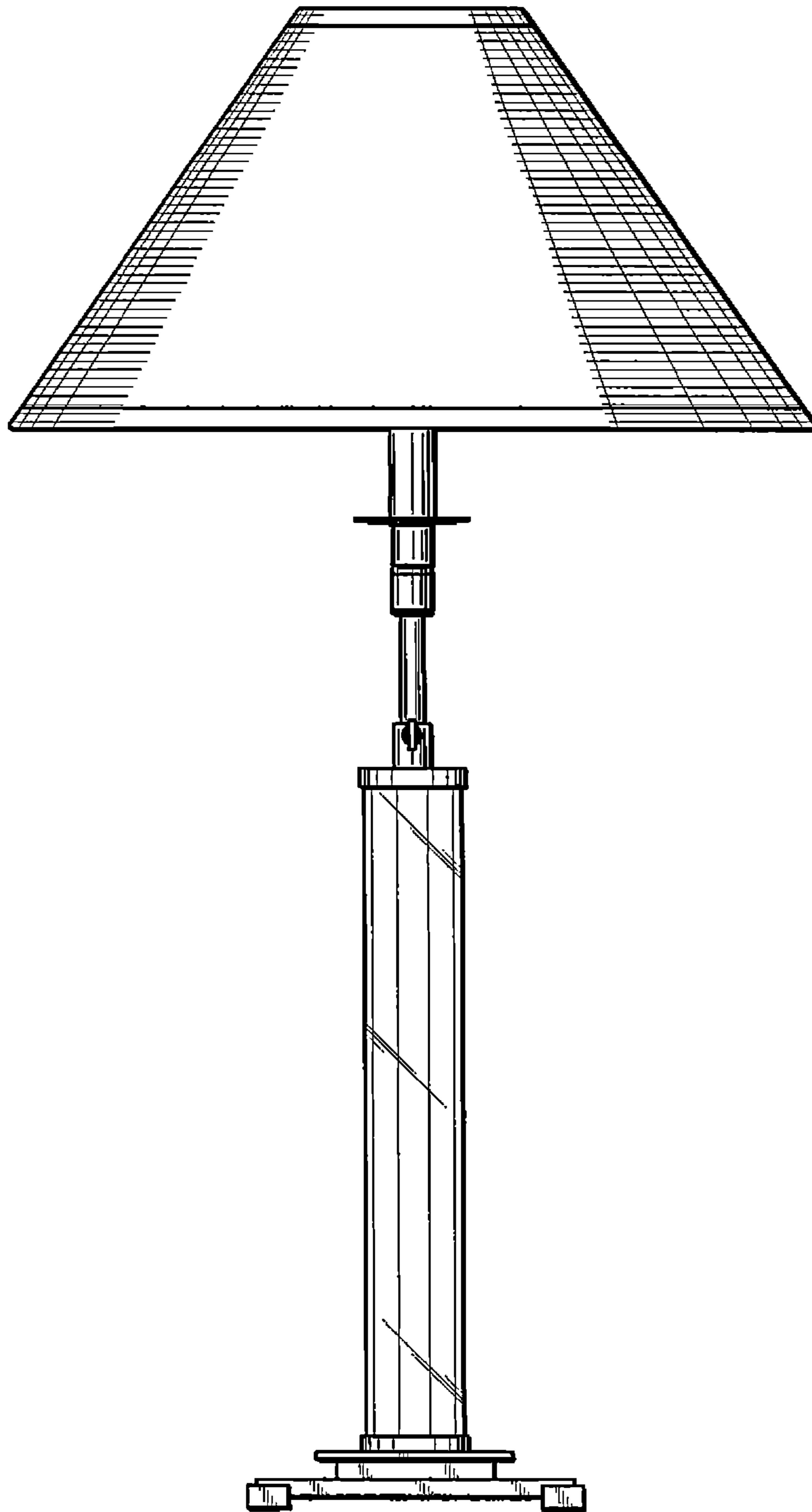
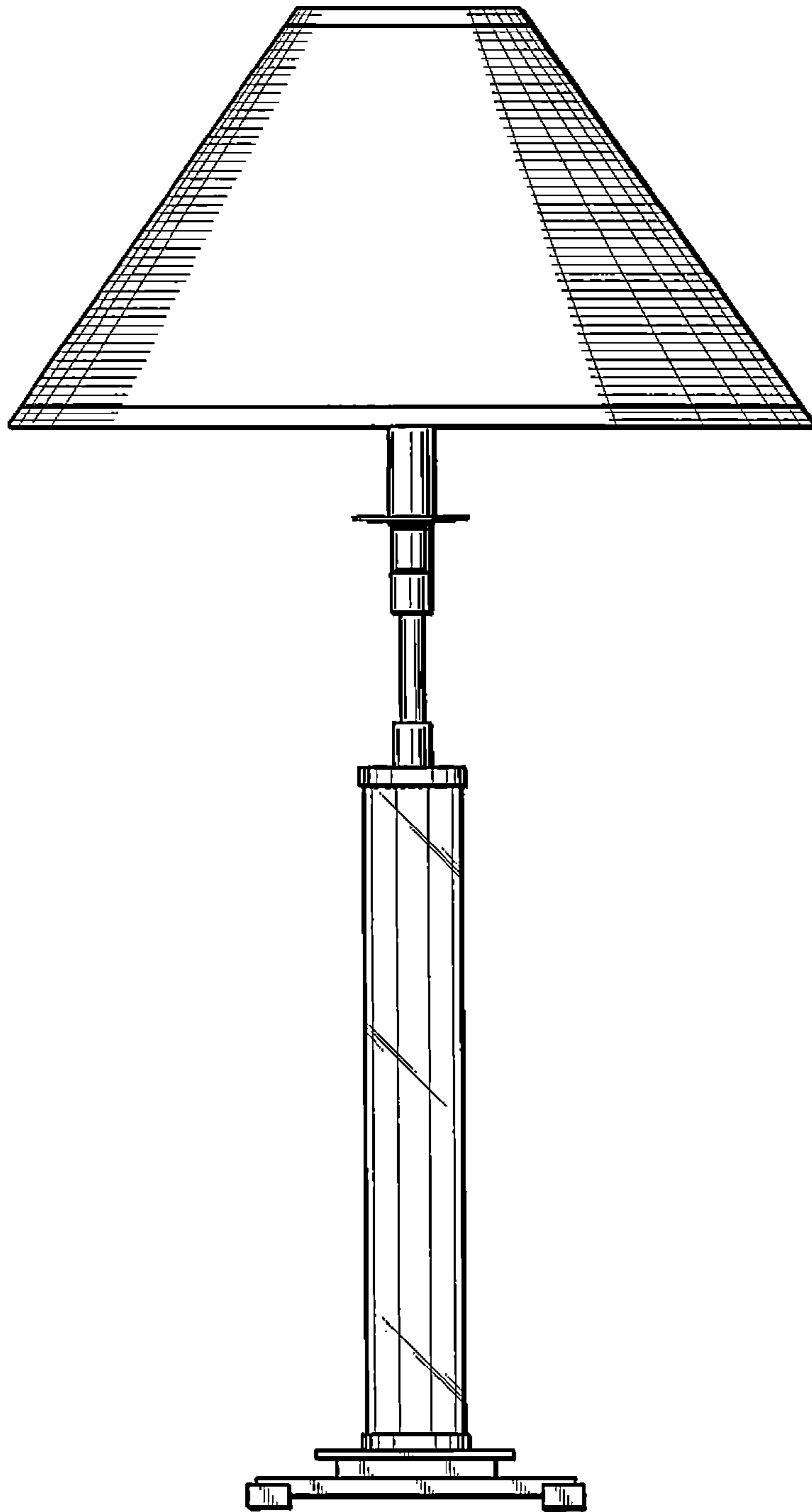


FIG. 2



**FIG. 3**



**FIG. 4**