



US00D732220S

(12) **United States Design Patent**
Bao

(10) **Patent No.:** **US D732,220 S**
(45) **Date of Patent:** **** Jun. 16, 2015**

(54) **WORKING LAMP**

(71) Applicant: **Yong Bao**, Yuyao (CN)
(72) Inventor: **Yong Bao**, Yuyao (CN)
(**) Term: **14 Years**

(21) Appl. No.: **29/477,077**

(22) Filed: **Dec. 19, 2013**

(51) **LOC (10) Cl.** **26-03**

(52) **U.S. Cl.**
USPC **D26/63**

(58) **Field of Classification Search**
USPC D26/1, 24, 61, 63, 65, 85, 92
CPC F21V 21/14; F21V 15/01; F21V 14/02;
F21V 21/30; F21V 21/00; F21V 14/00;
F21S 8/00; F21S 8/003; F21S 8/043; F21Y
2105/001

See application file for complete search history.

(56) **References Cited**

U.S. PATENT DOCUMENTS

D417,024 S *	11/1999	Stuyfzand	D26/63
D451,226 S *	11/2001	Leen	D26/63
D518,218 S *	3/2006	Roberge et al.	D26/63
D613,440 S *	4/2010	Lindholm	D26/63
D689,232 S *	9/2013	Velazquez	D26/63
D702,866 S *	4/2014	Blincoe et al.	D26/63

* cited by examiner

Primary Examiner — Brian N Vinson

(74) *Attorney, Agent, or Firm* — Wang Law Firm, Inc.; Li K. Wang; Stephen Hsu

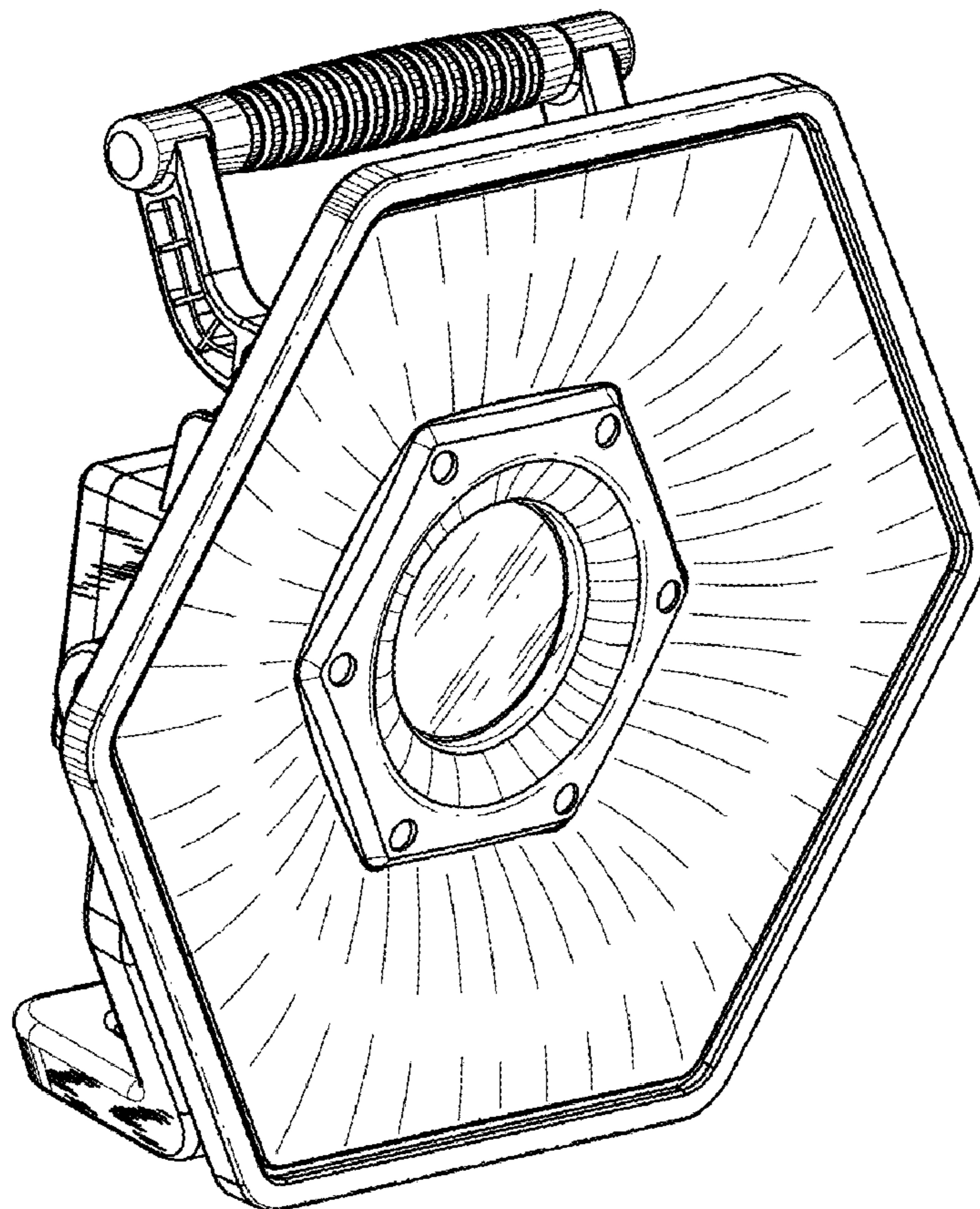
(57) **CLAIM**

The ornamental design for a working lamp, as shown and described.

DESCRIPTION

FIG. 1 is a front view of the working lamp;
FIG. 2 is a right side view thereof;
FIG. 3 is a left side view thereof;
FIG. 4 is a top plan view thereof;
FIG. 5 is a bottom plan view thereof;
FIG. 6 is a back view thereof; and,
FIG. 7 is a perspective view thereof.

1 Claim, 3 Drawing Sheets



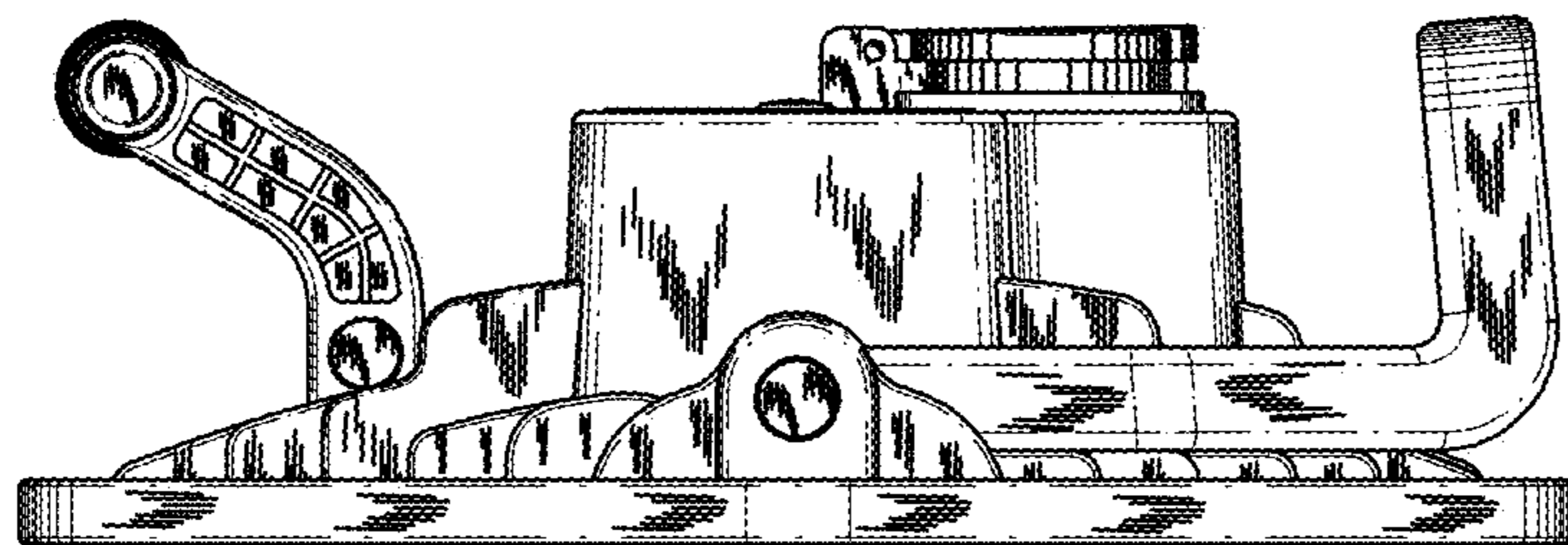


FIG. 2

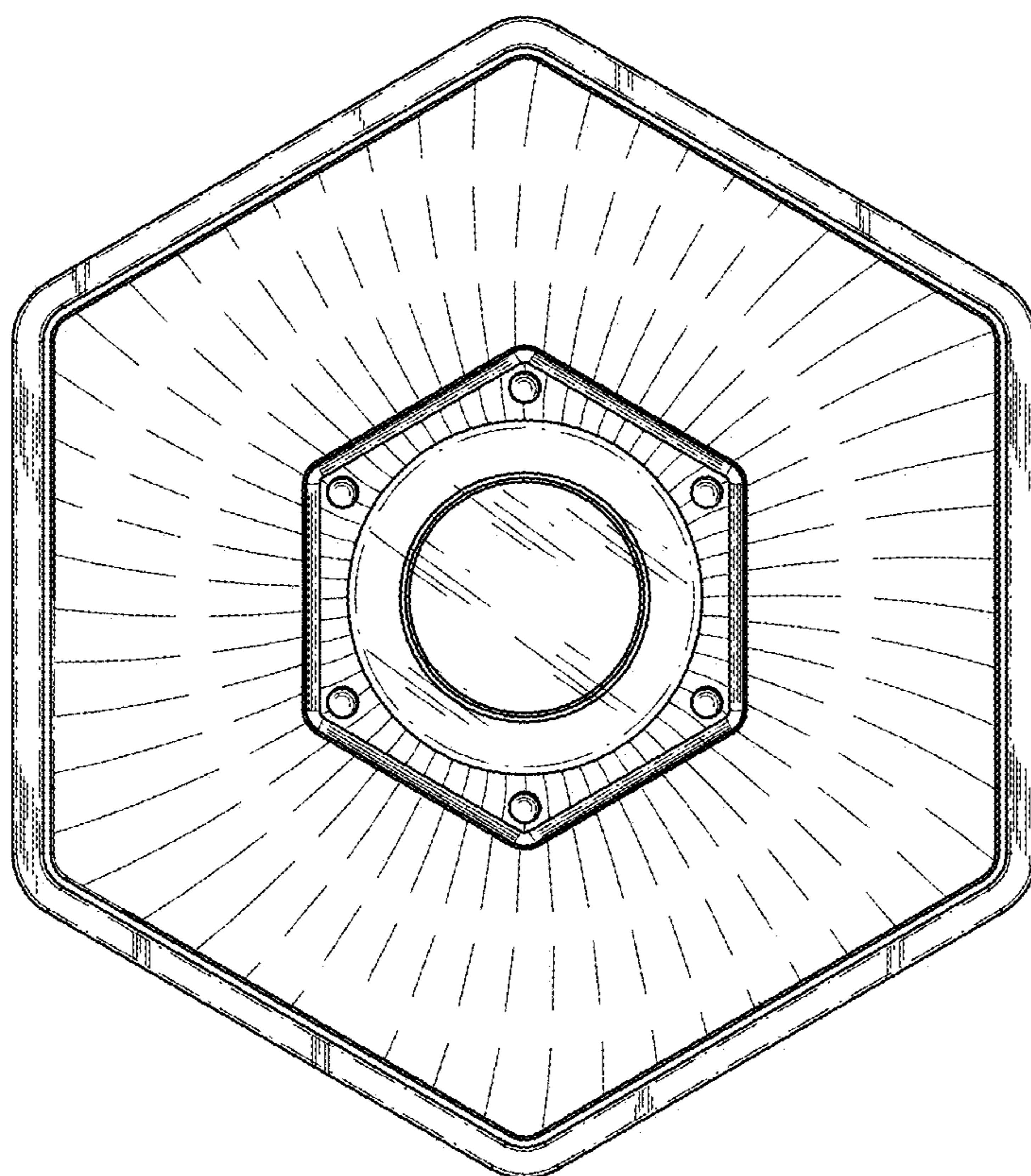


FIG. 1

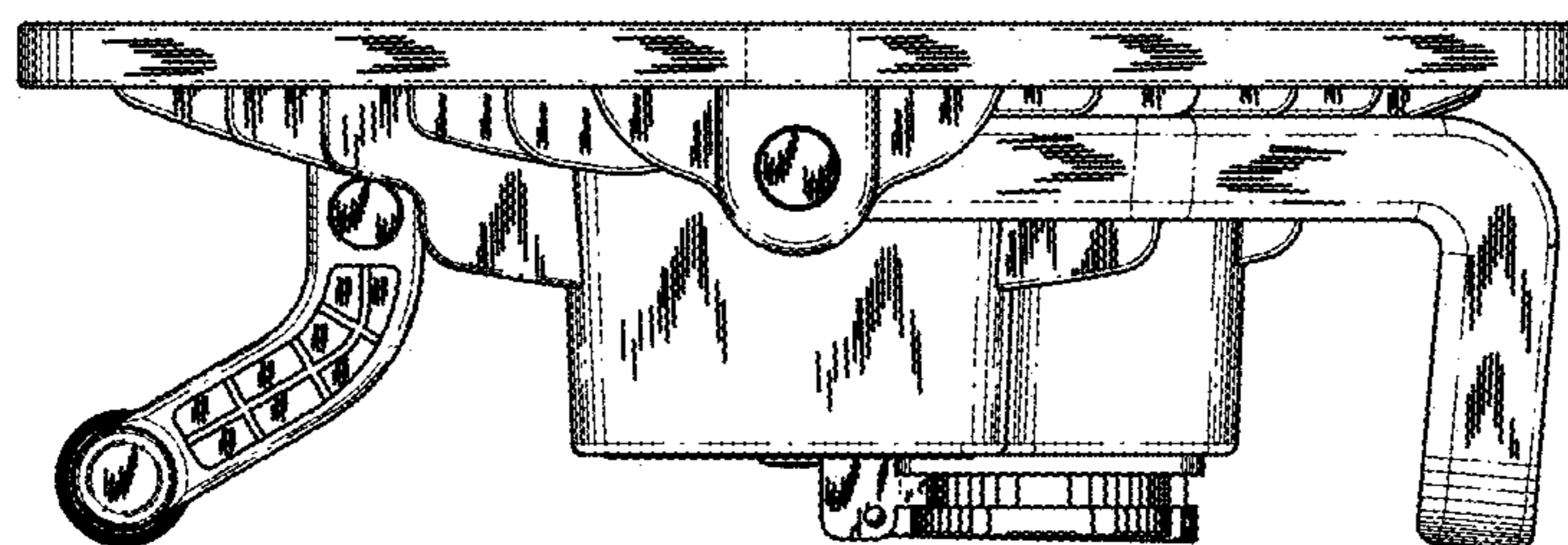


FIG. 3

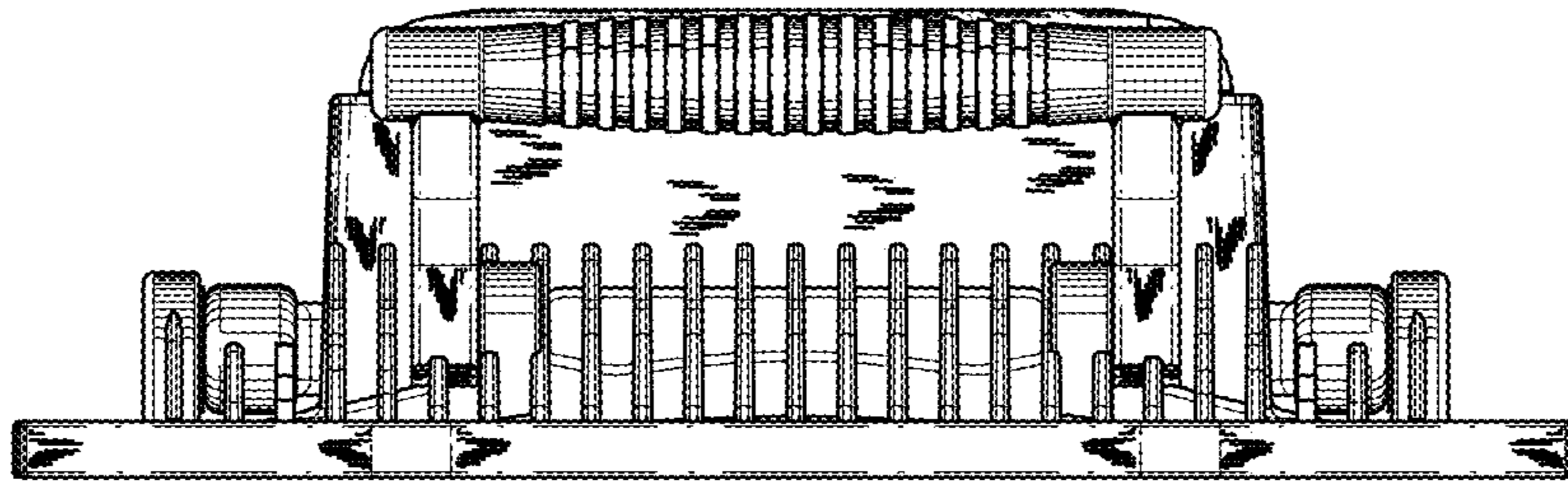


FIG. 4

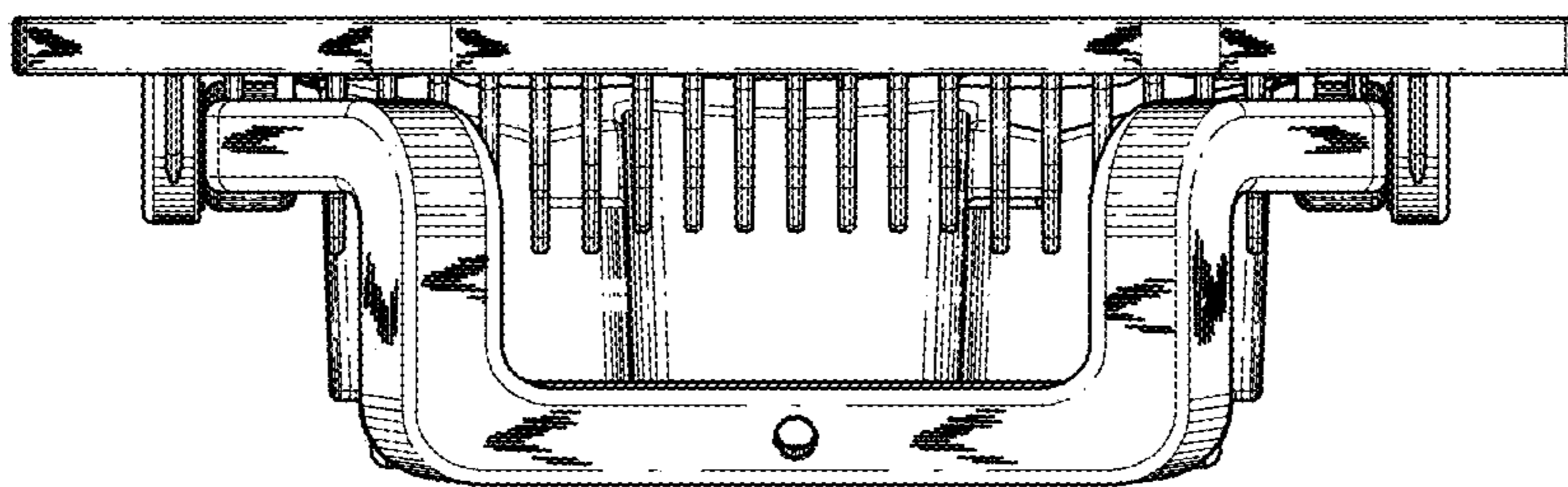


FIG. 5

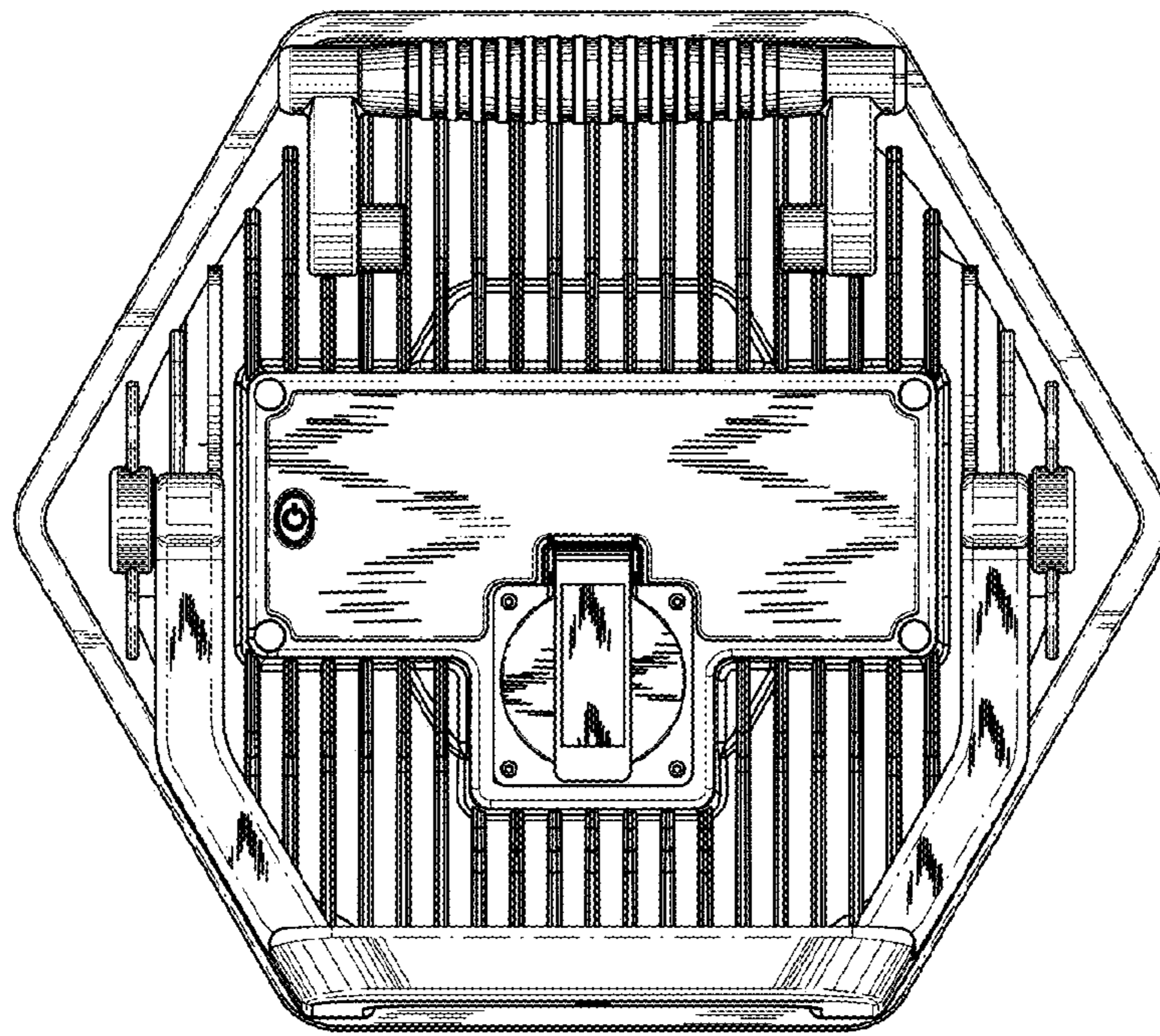


FIG. 6

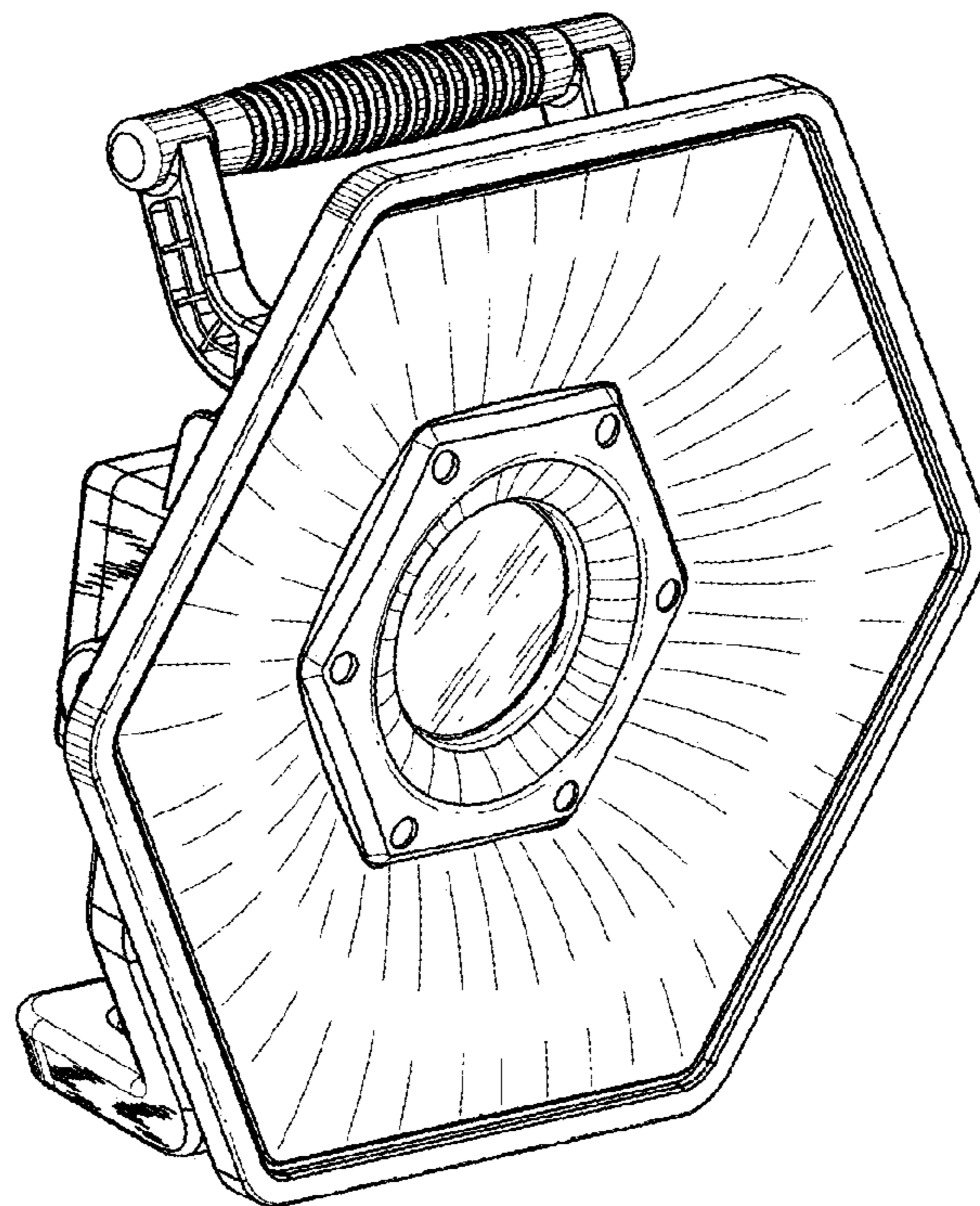


FIG. 7