



US00D732219S

(12) **United States Design Patent**
Adams

(10) **Patent No.:** **US D732,219 S**
(45) **Date of Patent:** **** Jun. 16, 2015**

(54) **LIGHT FIXTURE FOR SINGLE ROW OF LAMPS**

(56) **References Cited**

U.S. PATENT DOCUMENTS

D322,136	S	*	12/1991	Shima et al.	D26/24
5,788,363	A	*	8/1998	Kamaya et al.	362/285
6,079,852	A	*	6/2000	Kamaya et al.	362/427
8,029,173	B2	*	10/2011	Ko	362/427
D666,346	S	*	8/2012	Gebhard et al.	D26/63
D693,509	S	*	11/2013	Hosick et al.	D26/63
D698,474	S	*	1/2014	Korpi	D26/63

(71) Applicant: **JST PERFORMANCE, INC.**, Mesa, AZ (US)

(72) Inventor: **Stephen P Adams**, Mesa, AZ (US)

(73) Assignee: **JST Performance, LLC**, Gilbert, AZ (US)

* cited by examiner

(**) Term: **14 Years**

Primary Examiner — Brian N Vinson

(21) Appl. No.: **29/446,072**

(57) **CLAIM**

The ornamental design for a light fixture for single row of lamps, as shown and described.

(22) Filed: **Feb. 20, 2013**

DESCRIPTION

(51) **LOC (10) Cl.** **26-03**

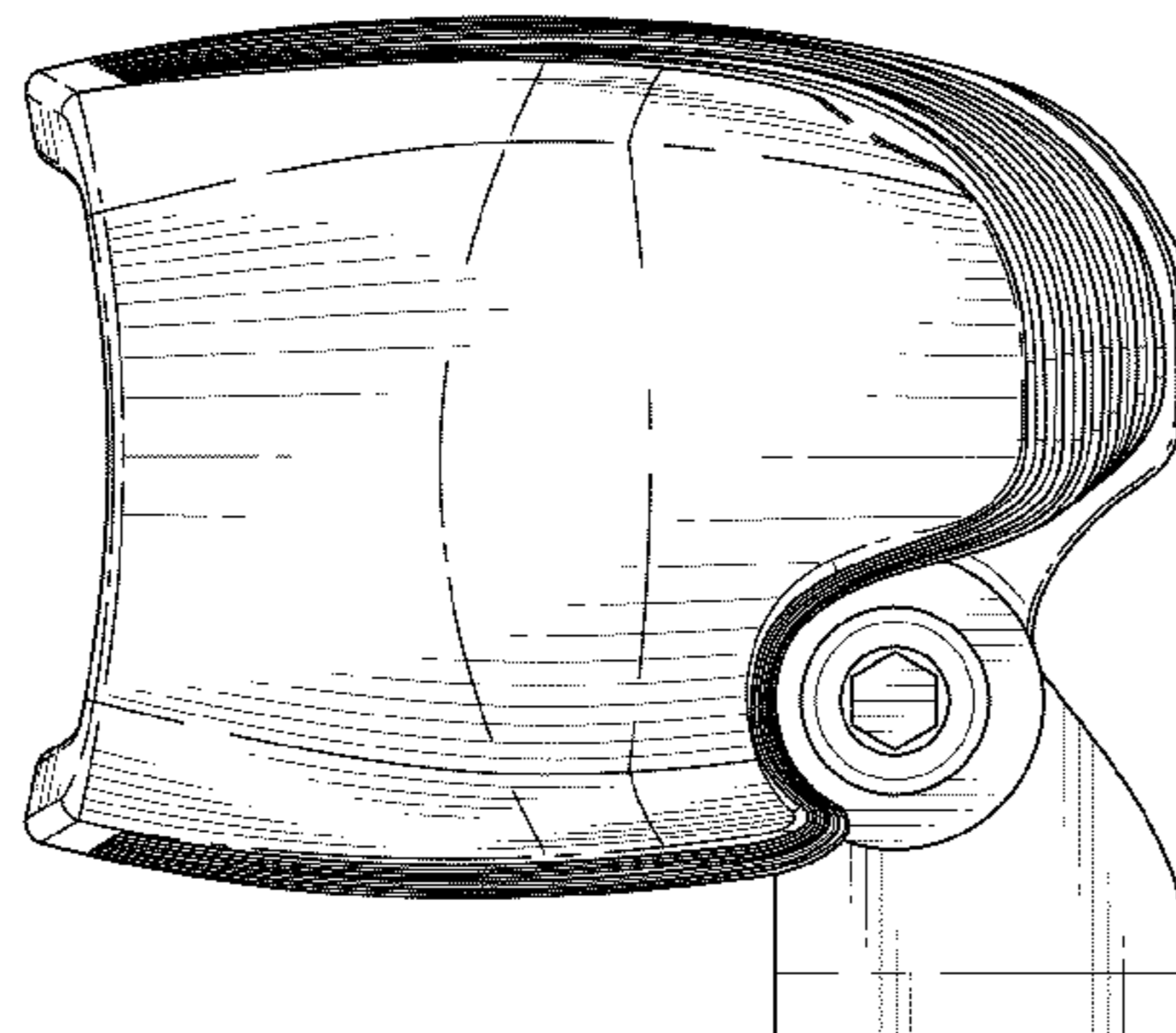
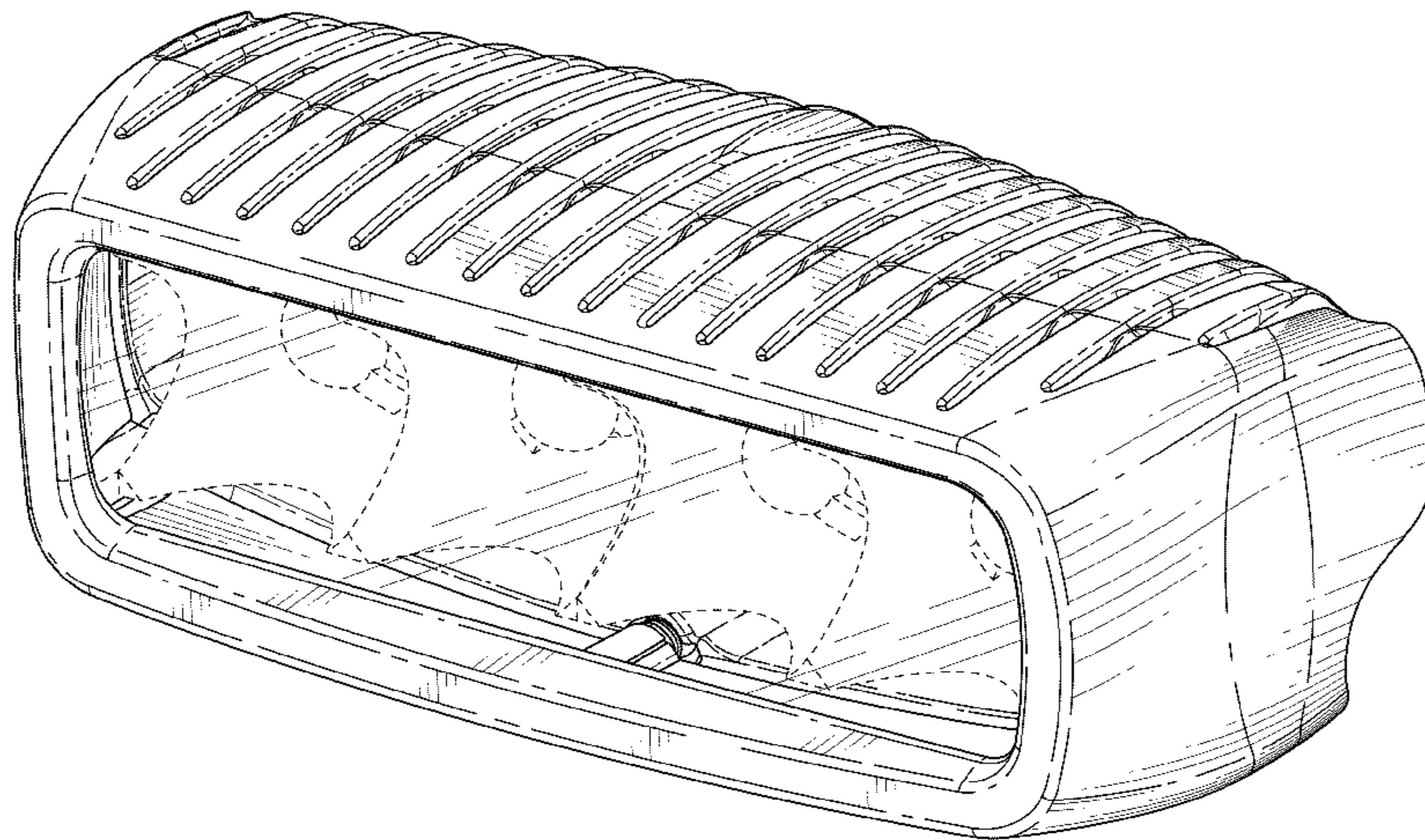
(52) **U.S. Cl.**
USPC **D26/63**

(58) **Field of Classification Search**
USPC D26/24, 61, 63, 65
CPC F21V 21/14; F21V 15/01; F21V 14/02;
F21V 21/30; F21V 2114/00; F21S 8/00;
F21Y 2105/001

FIG. 1 is a front right-side perspective view of a light fixture for single row of lamps showing my new design;
FIG. 2 is a front view;
FIG. 3 is a rear view;
FIG. 4 is a right side view;
FIG. 5 is a left side view;
FIG. 6 is a top view; and,
FIG. 7 is a bottom view.

See application file for complete search history.

1 Claim, 7 Drawing Sheets



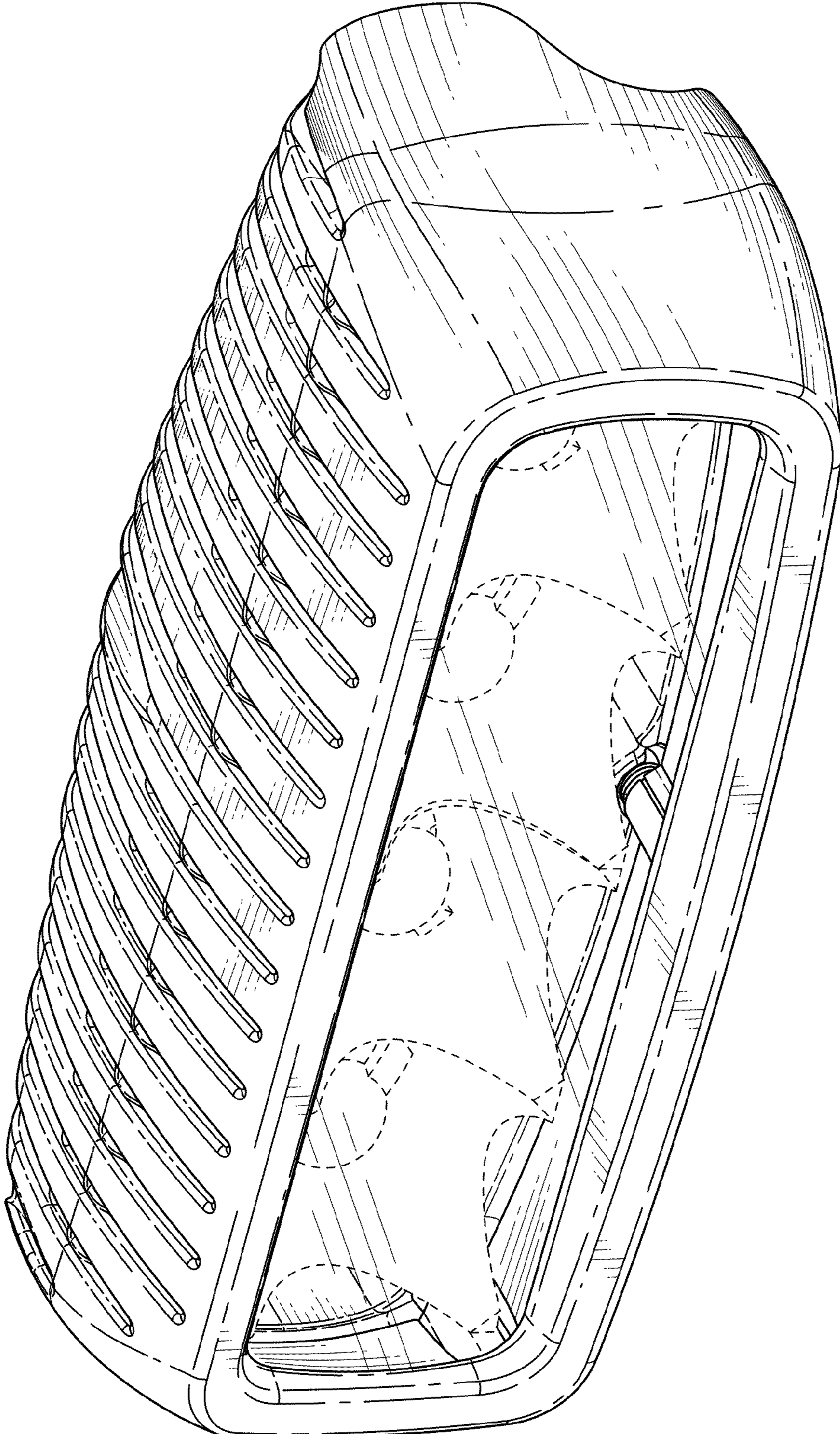


FIG. 1

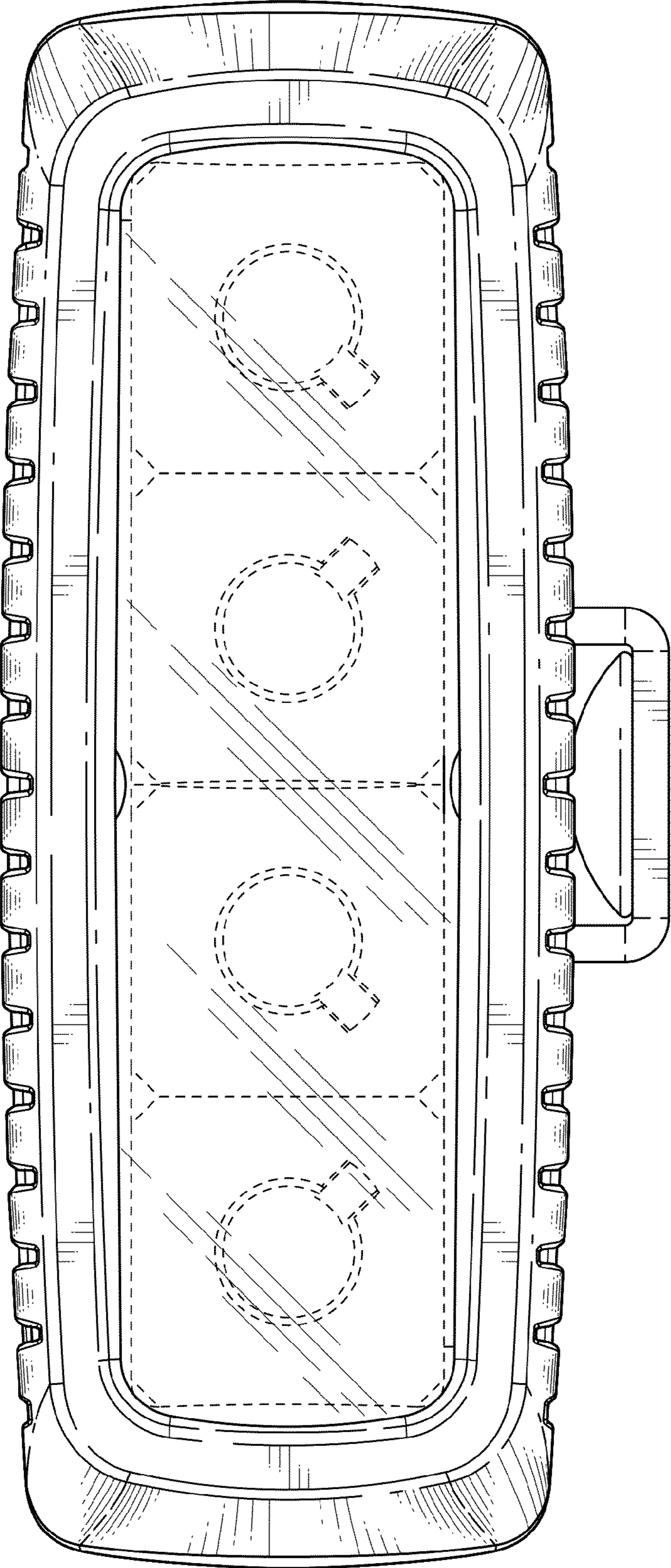


FIG. 2

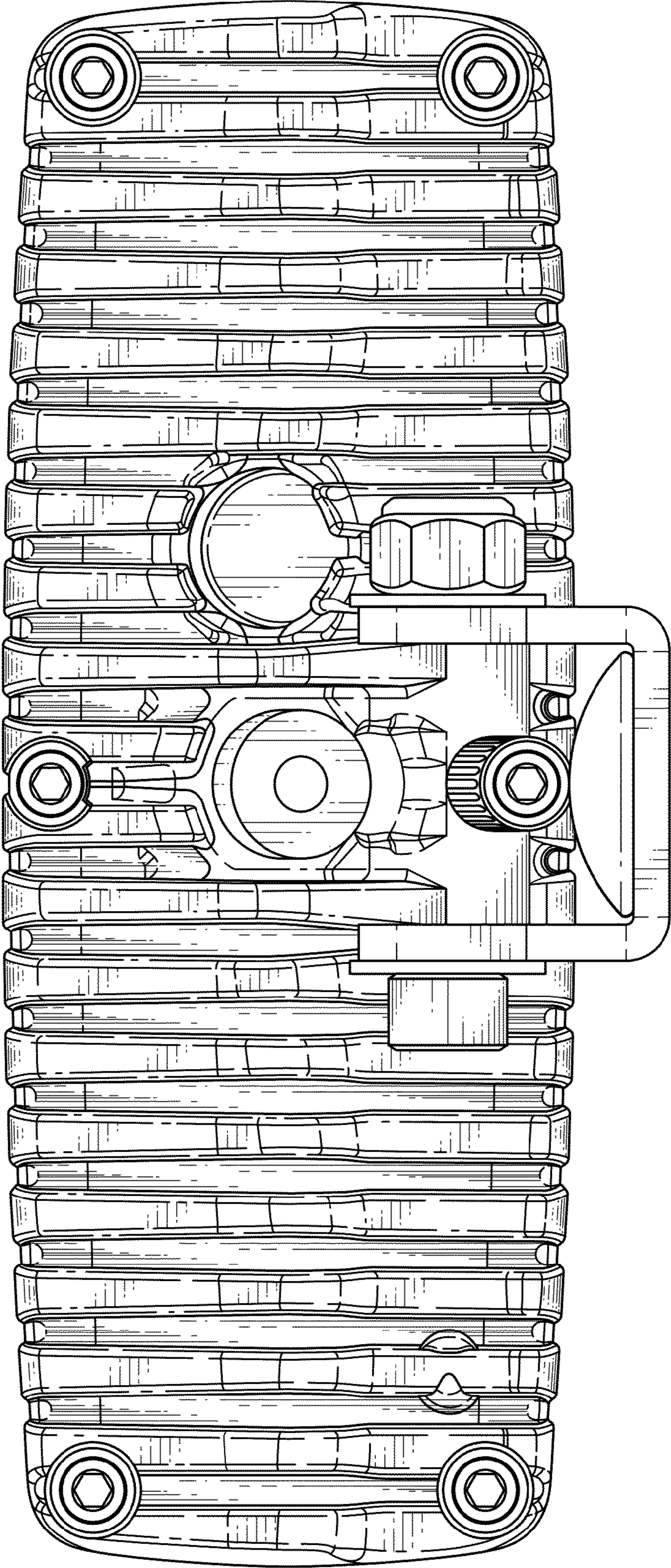


FIG. 3

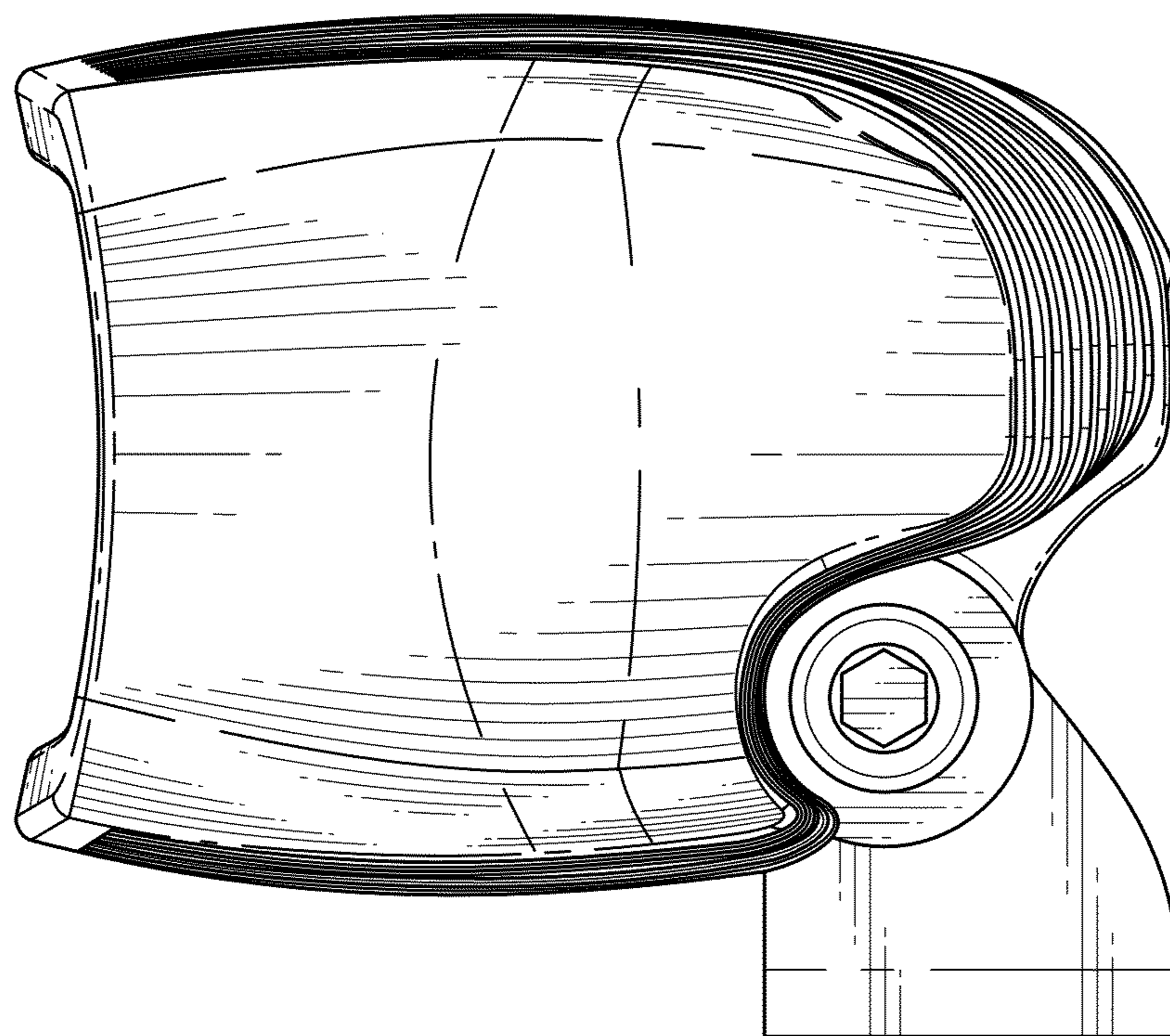


FIG. 4

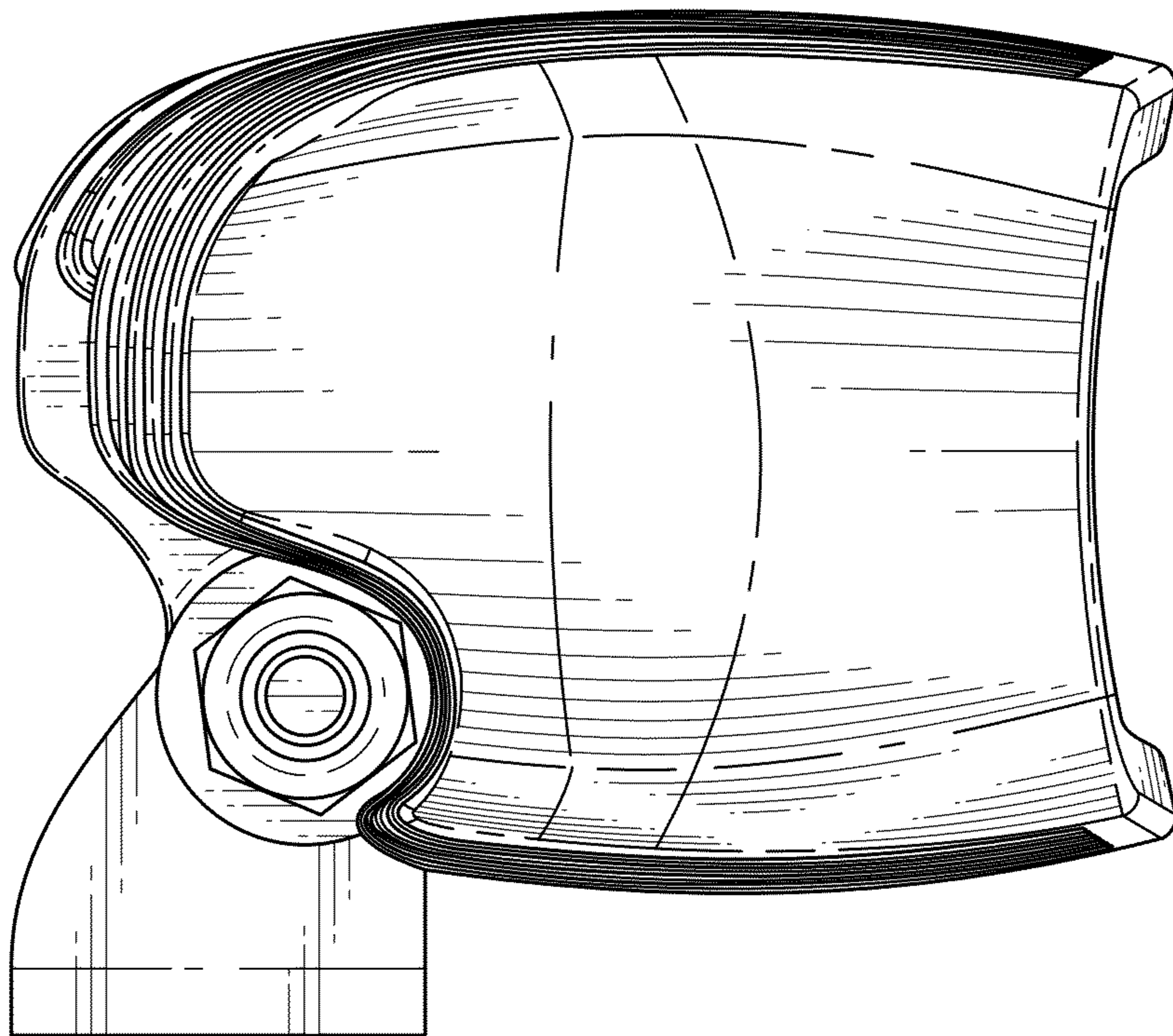


FIG. 5

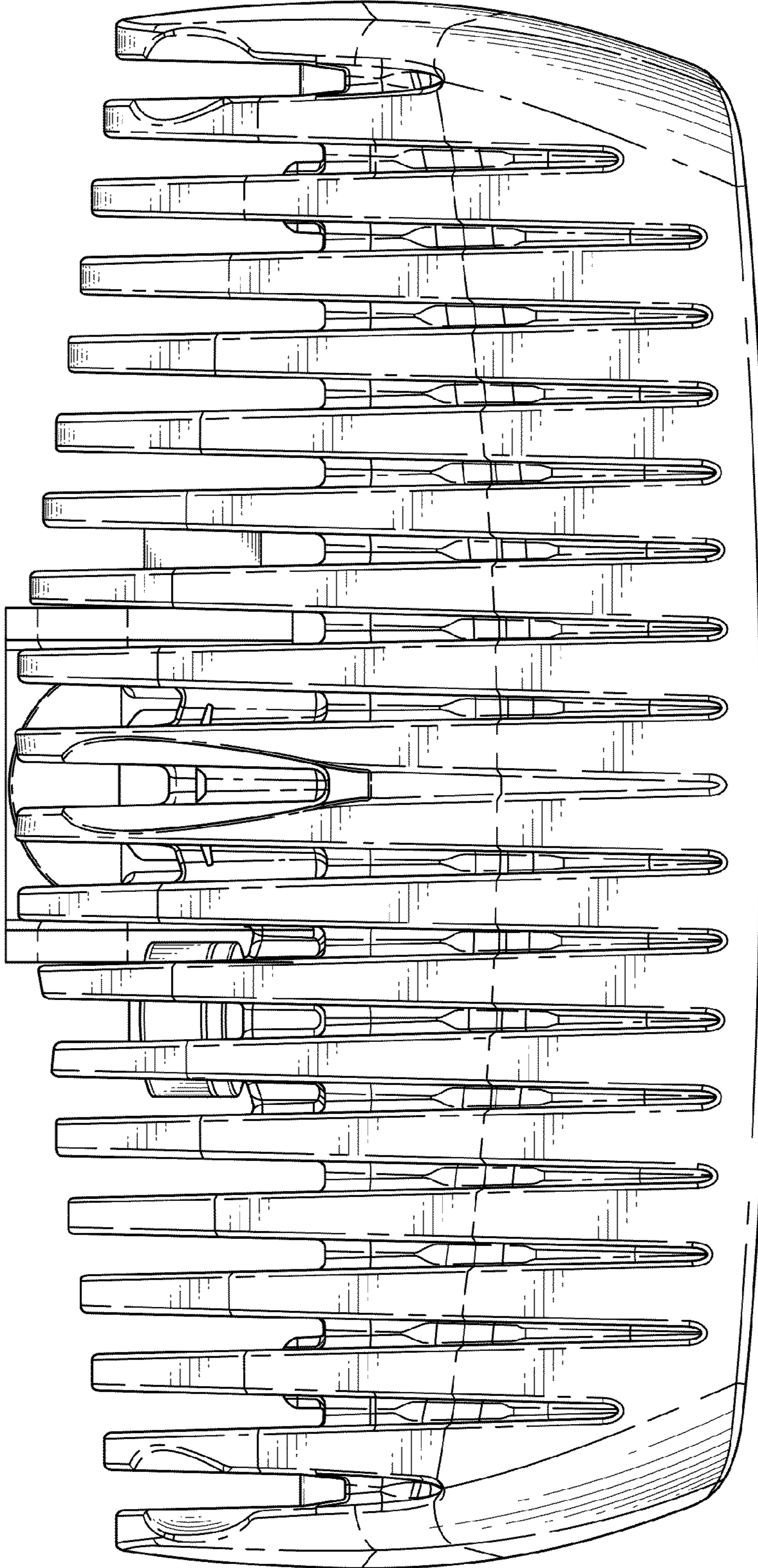


FIG. 6

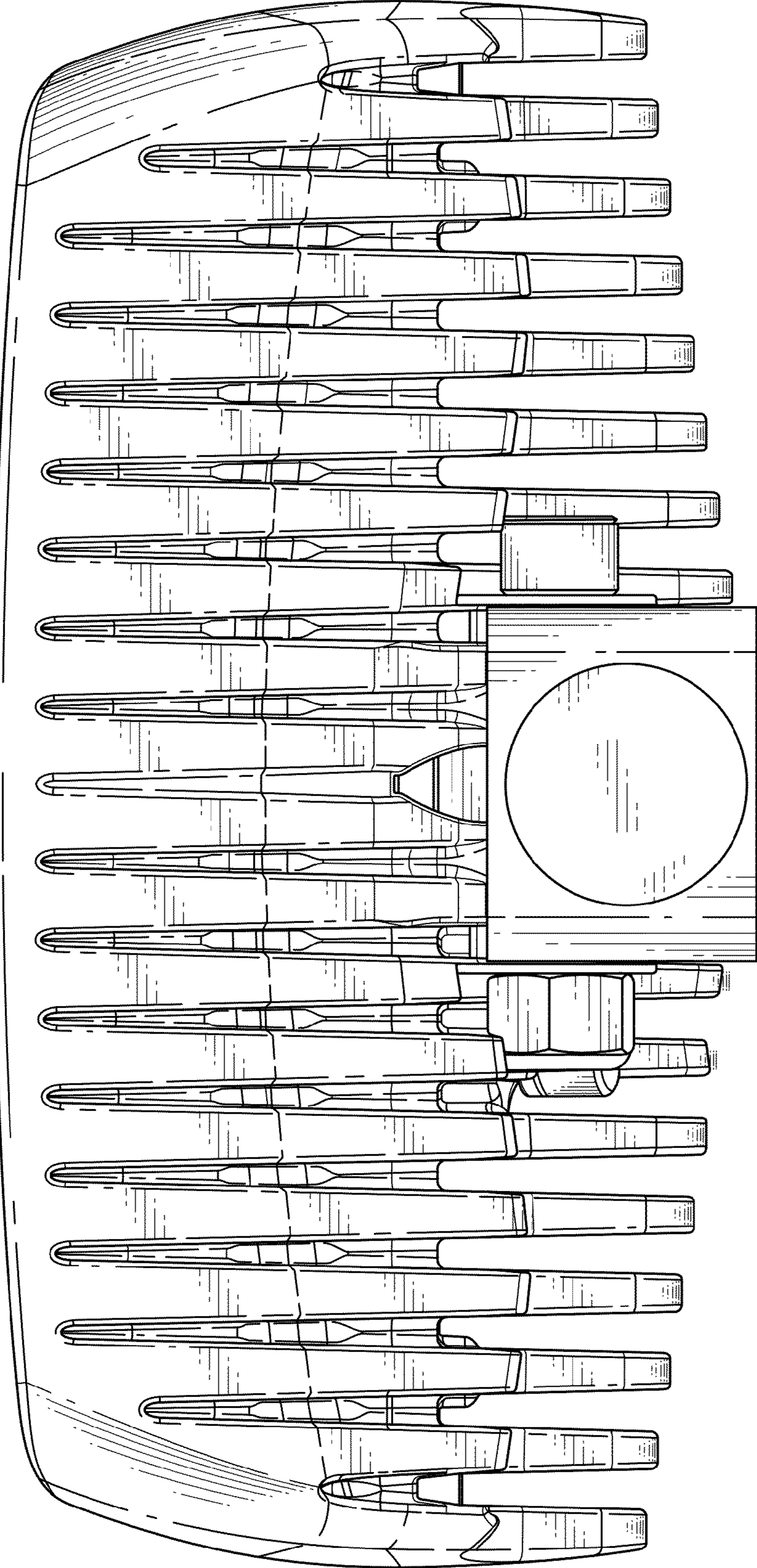


FIG. 7