



US00D732217S

(12) **United States Design Patent**
Wiedenmann

(10) **Patent No.:** **US D732,217 S**
(45) **Date of Patent:** **** Jun. 16, 2015**

(54) **ADJUSTABLE DESK LAMP WITH CLAMP**

(71) Applicant: **Nathan W. Wiedenmann**, Eugene, OR (US)

(72) Inventor: **Nathan W. Wiedenmann**, Eugene, OR (US)

(73) Assignee: **STELLA LIGHTING INC**, Eugene, OR (US)

(**) Term: **14 Years**

(21) Appl. No.: **29/470,876**

(22) Filed: **Oct. 25, 2013**

(51) **LOC (10) Cl.** **26-05**

(52) **U.S. Cl.**
USPC **D26/60**

(58) **Field of Classification Search**
USPC D26/28, 51, 60-63, 107; 362/473, 475, 362/476, 396, 399
CPC B62J 6/001; B62J 6/02; B62J 6/003; F21S 4/00; F21S 9/02; F21V 21/00; F21V 21/08; F21L 4/02
See application file for complete search history.

(56) **References Cited**

U.S. PATENT DOCUMENTS

2,851,587	A *	9/1958	Stockman	362/396
3,992,618	A *	11/1976	Matthews et al.	362/396
D383,235	S *	9/1997	Murch, Sr.	D26/60
D385,052	S *	10/1997	Huang	D26/60
D448,104	S *	9/2001	Weitzman et al.	D26/65
D514,726	S *	2/2006	Ping	D26/60
D522,156	S *	5/2006	Schnell	D26/60

(Continued)

OTHER PUBLICATIONS

U.S. Appl. No. 29/448,767, filed Mar. 13, 2013, McCormick et al.
(Continued)

Primary Examiner — Clare E Heflin

(74) *Attorney, Agent, or Firm* — Stella Lighting Inc

(57) **CLAIM**

The ornamental design for an adjustable desk lamp with a clamp, as shown and described.

DESCRIPTION

FIGS. 1 and 2 are first and second perspective views, respectively, of an adjustable desk lamp with a clamp.

FIGS. 3 and 4 are top and bottom views, respectively, of the adjustable desk lamp and clamp.

FIGS. 5 and 6 are right and left side views, respectively, of the adjustable desk lamp and clamp.

FIGS. 7 and 8 are front and back views, respectively, of the adjustable desk lamp and clamp.

FIGS. 9-12 are first perspective, second perspective, right side, and top views, respectively, of the adjustable desk lamp and clamp clamped onto a table shown in broken lines; the table is not part of the claimed design.

FIGS. 13 and 14 are first and second perspective views, respectively, of the adjustable desk lamp and clamp with an optional, mounted, removable remote control shown in broken lines; the remote control is not part of the claimed design.

FIGS. 15 and 16 are top and bottom views, respectively, the adjustable desk lamp and clamp with the optional, mounted, removable remote control shown in broken lines; the remote control is not part of the claimed design.

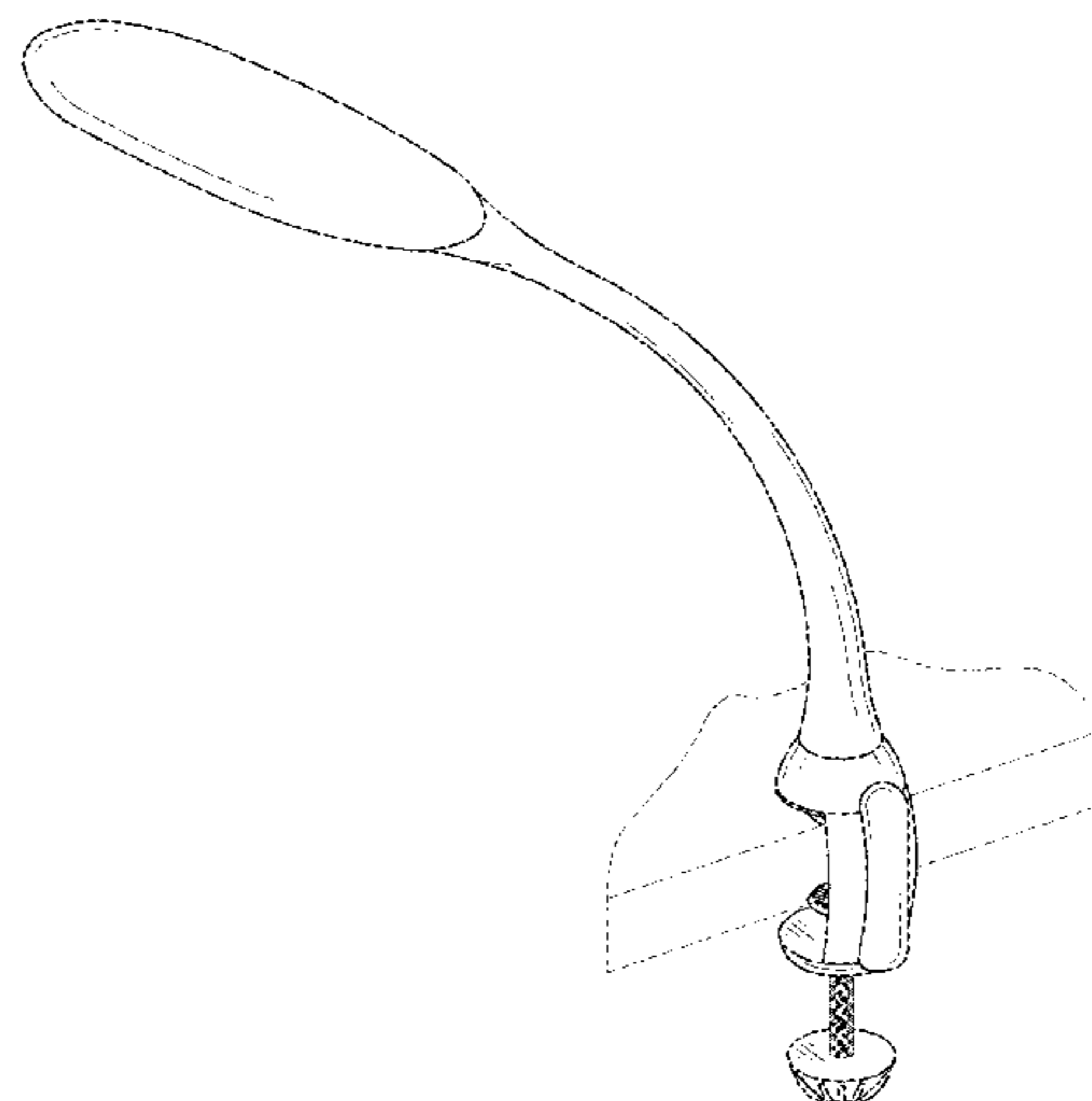
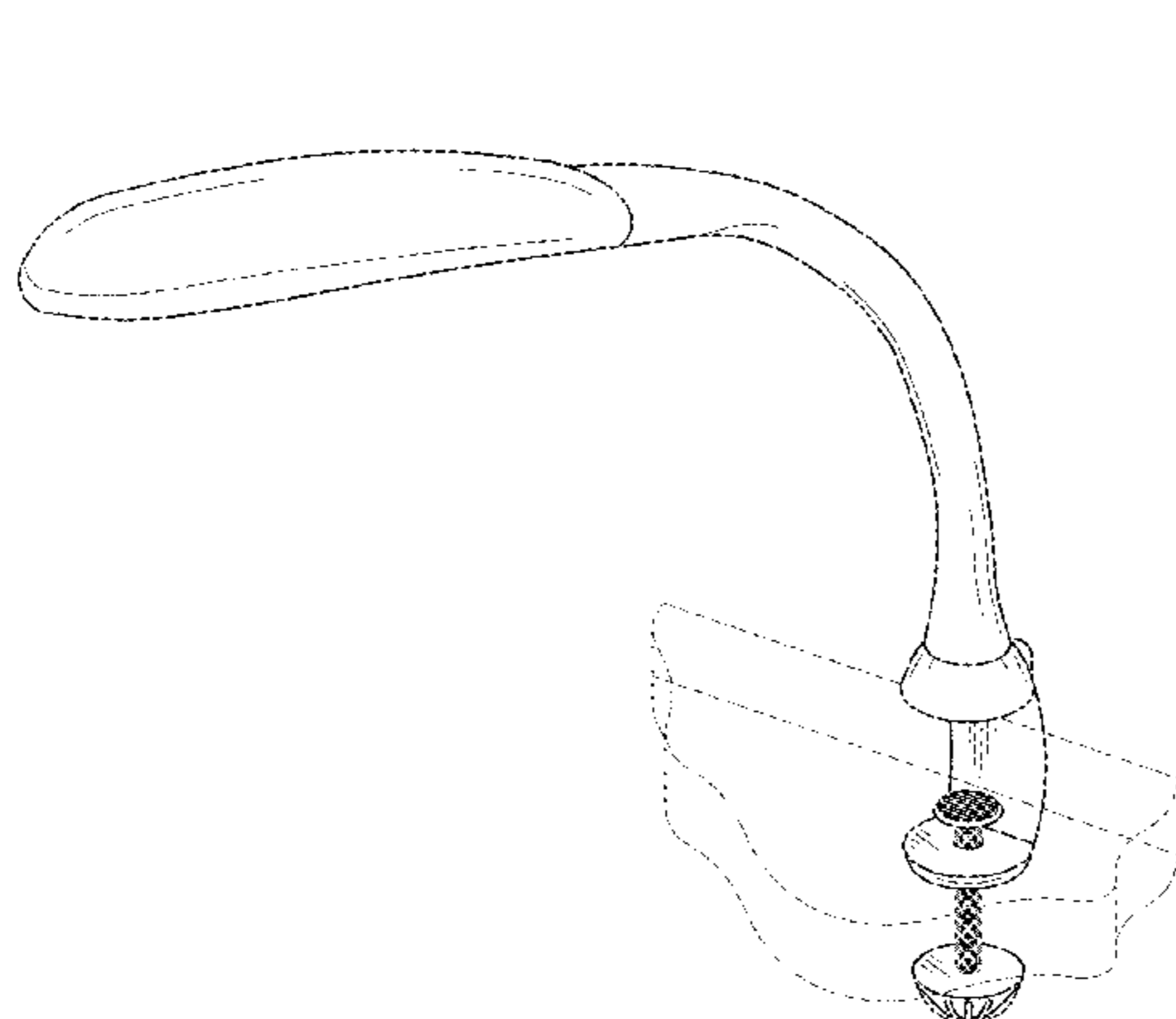
FIGS. 17 and 18 are right and left side views, respectively, of the adjustable desk lamp and clamp with the optional, mounted, removable remote control shown in broken lines; the remote control is not part of the claimed design.

FIGS. 19 and 20 are front and back views, respectively, of the adjustable desk lamp and clamp with the optional, mounted, removable remote control shown in broken lines; the remote control is not part of the claimed design.

FIGS. 21 and 22 are first perspective views of the adjustable desk lamp and clamp with the lamp adjusted to differing tilt angles; and,

FIGS. 23 and 24 are first perspective views of the adjustable desk lamp and clamp with the lamp adjusted to differing twist angles.

1 Claim, 10 Drawing Sheets



(56)

References Cited

U.S. PATENT DOCUMENTS

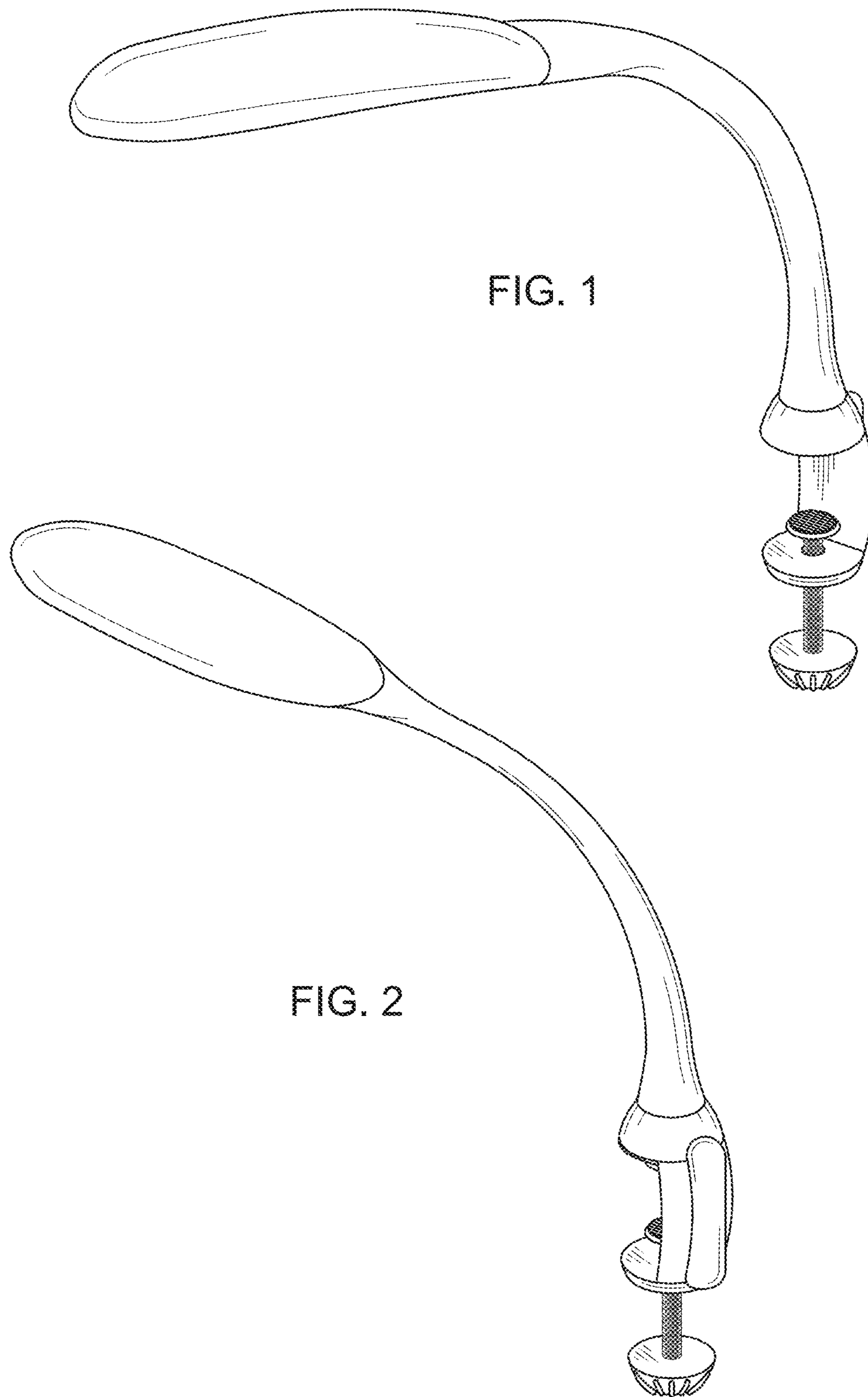
D522,157 S * 5/2006 Schnell D26/60
D522,679 S * 6/2006 Hodgson D26/60
D590,976 S * 4/2009 Levine D26/60
D605,800 S * 12/2009 Hodgson D26/62
D608,925 S * 1/2010 Hodgson D26/62
D611,634 S * 3/2010 Newhouse D26/61

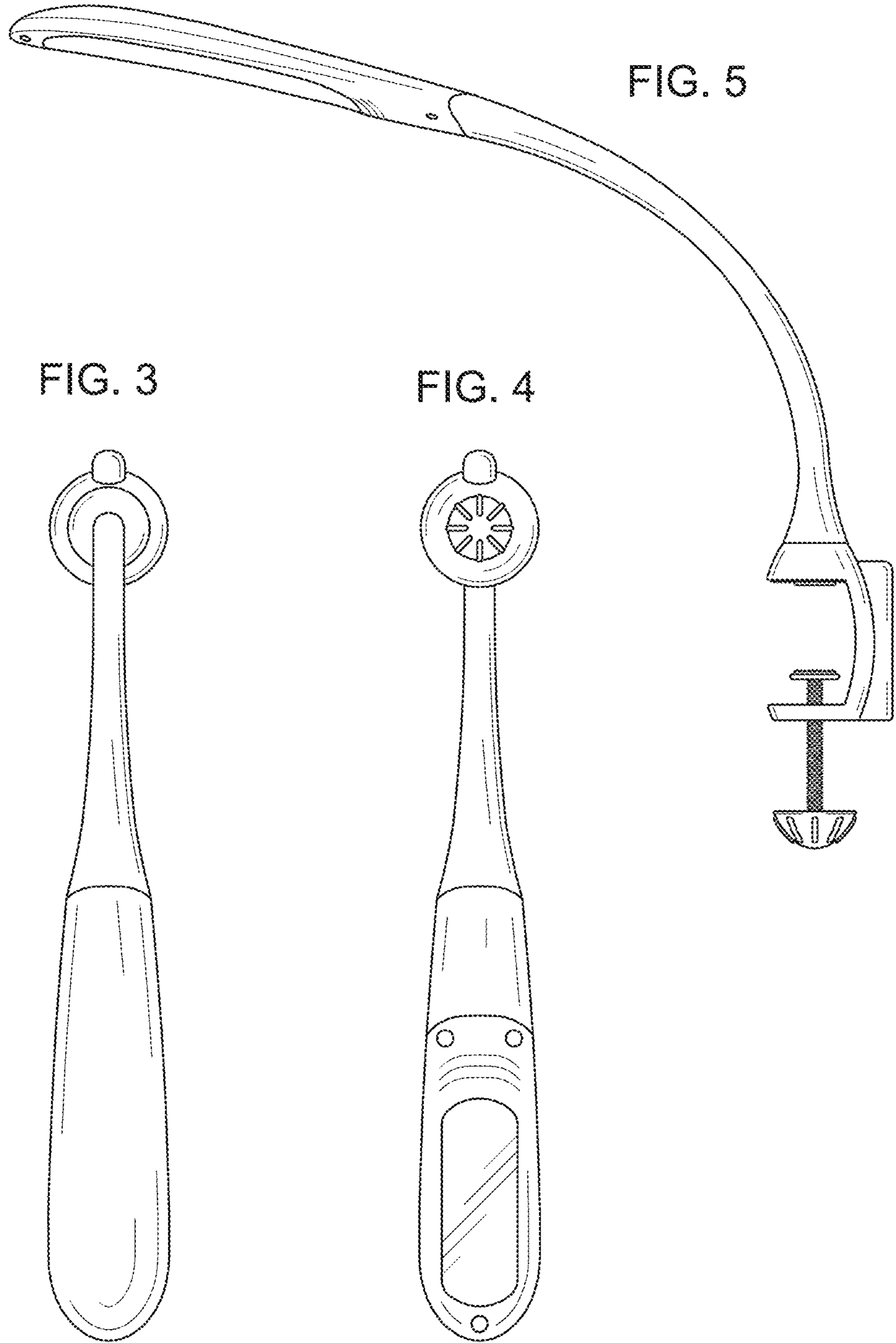
D614,335 S * 4/2010 Cham D26/51
D623,328 S * 9/2010 Huang D26/63
D623,330 S * 9/2010 Huang D26/63
D660,490 S * 5/2012 Hodgson D26/60

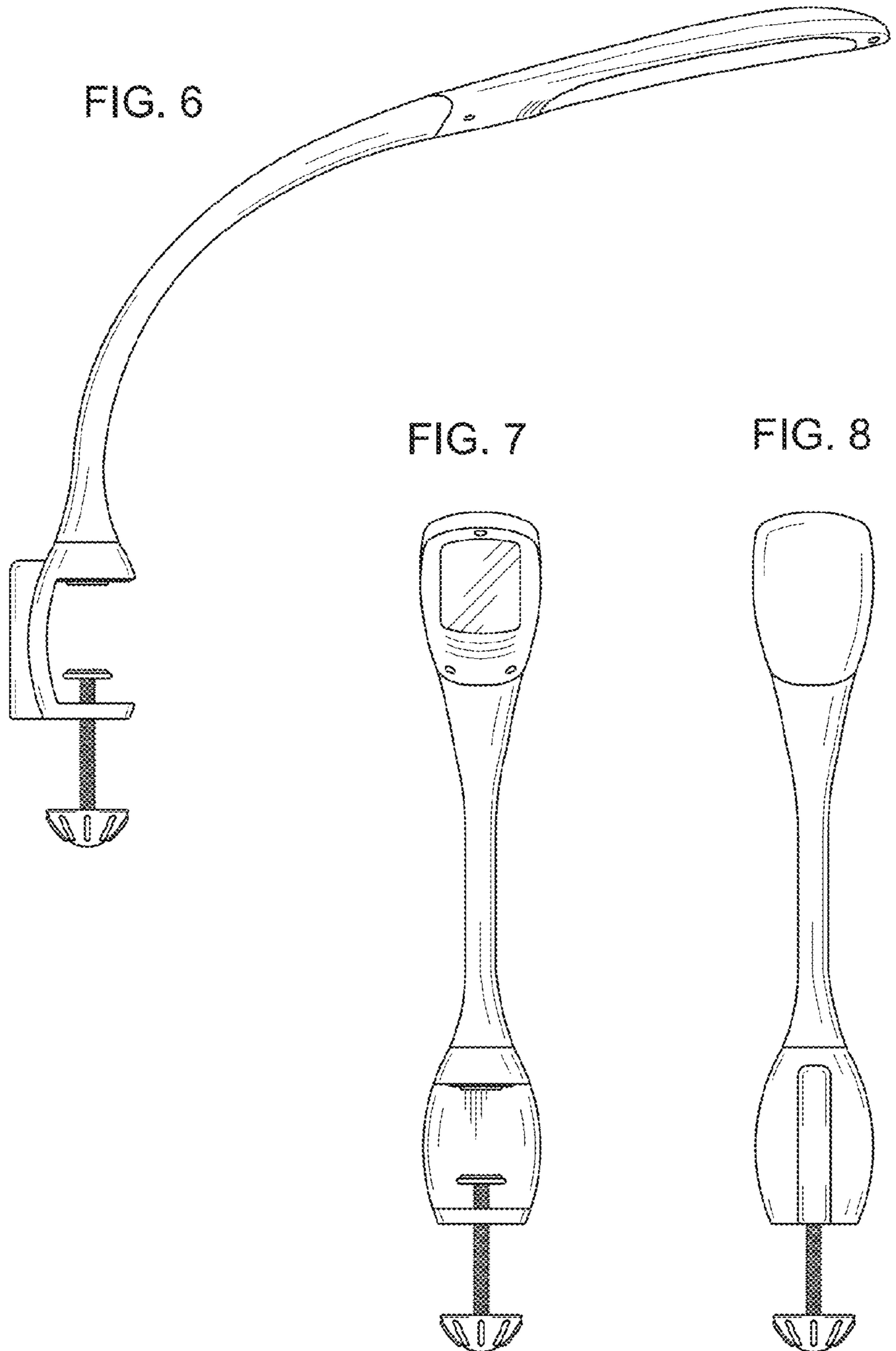
OTHER PUBLICATIONS

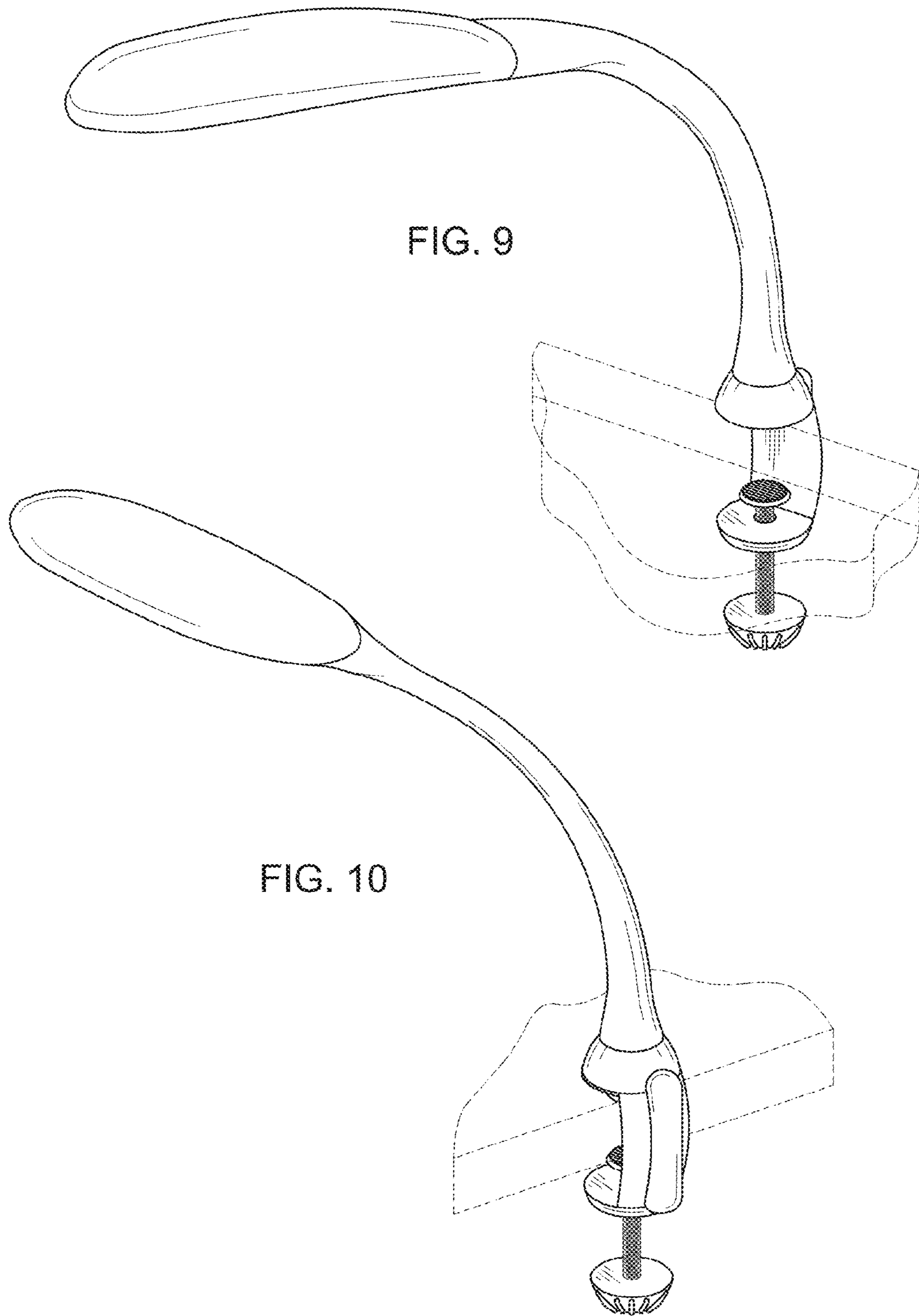
U.S. Appl. No. 29/448,775, filed Mar. 13, 2013, Wiedenmann et al.
U.S. Appl. No. 29/470,875, filed Oct. 25, 2013, Wiedenmann.

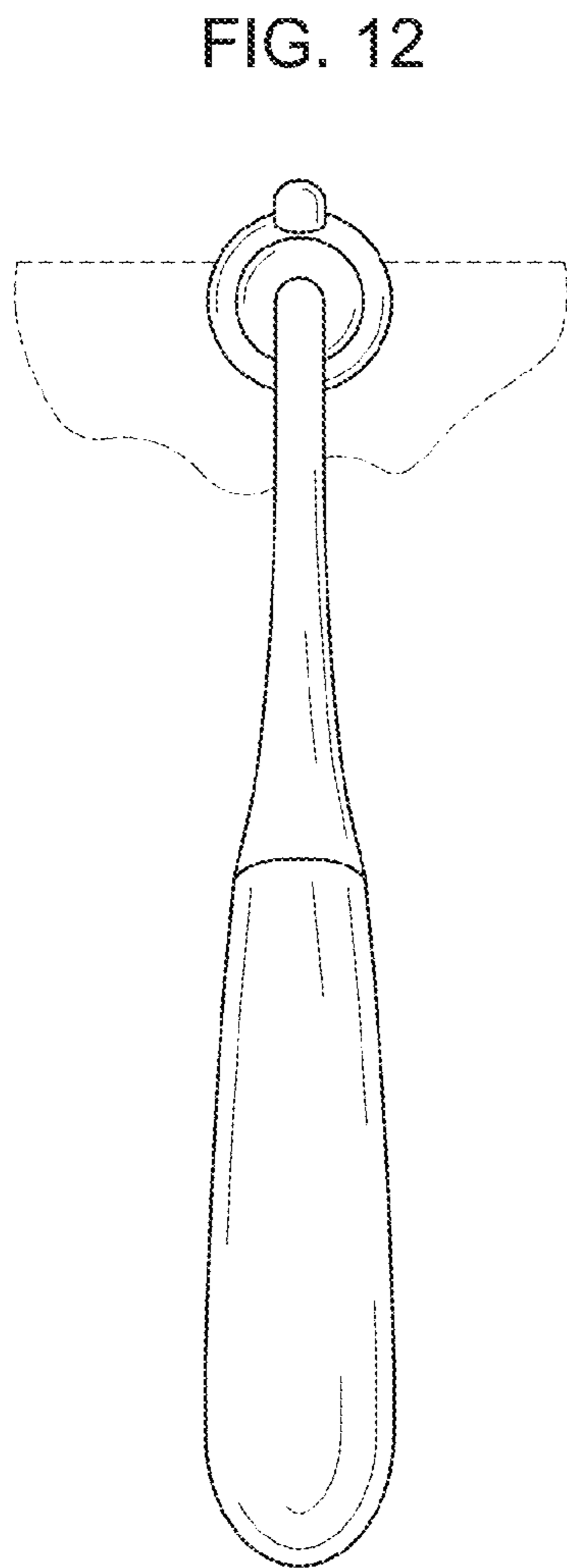
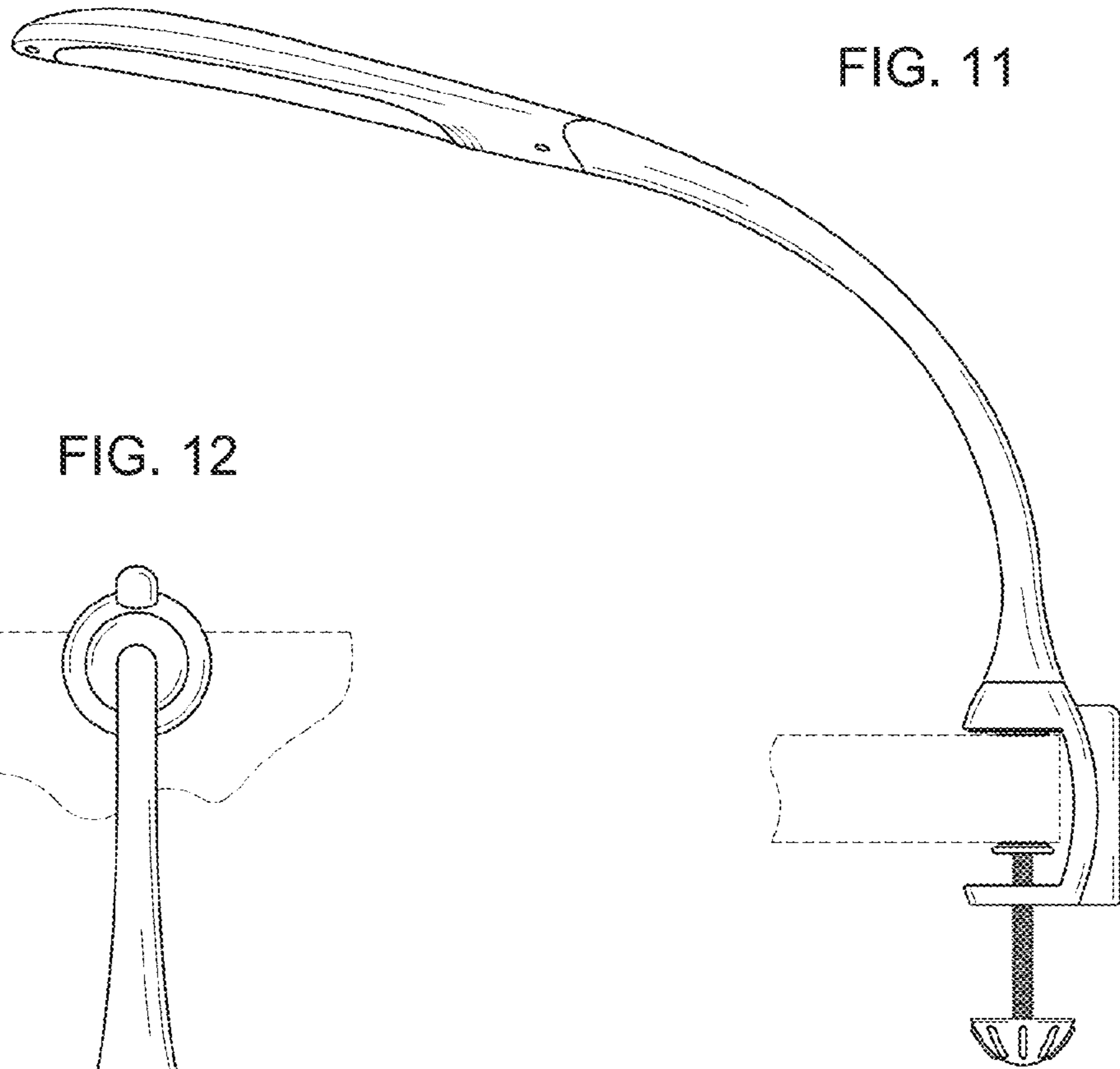
* cited by examiner











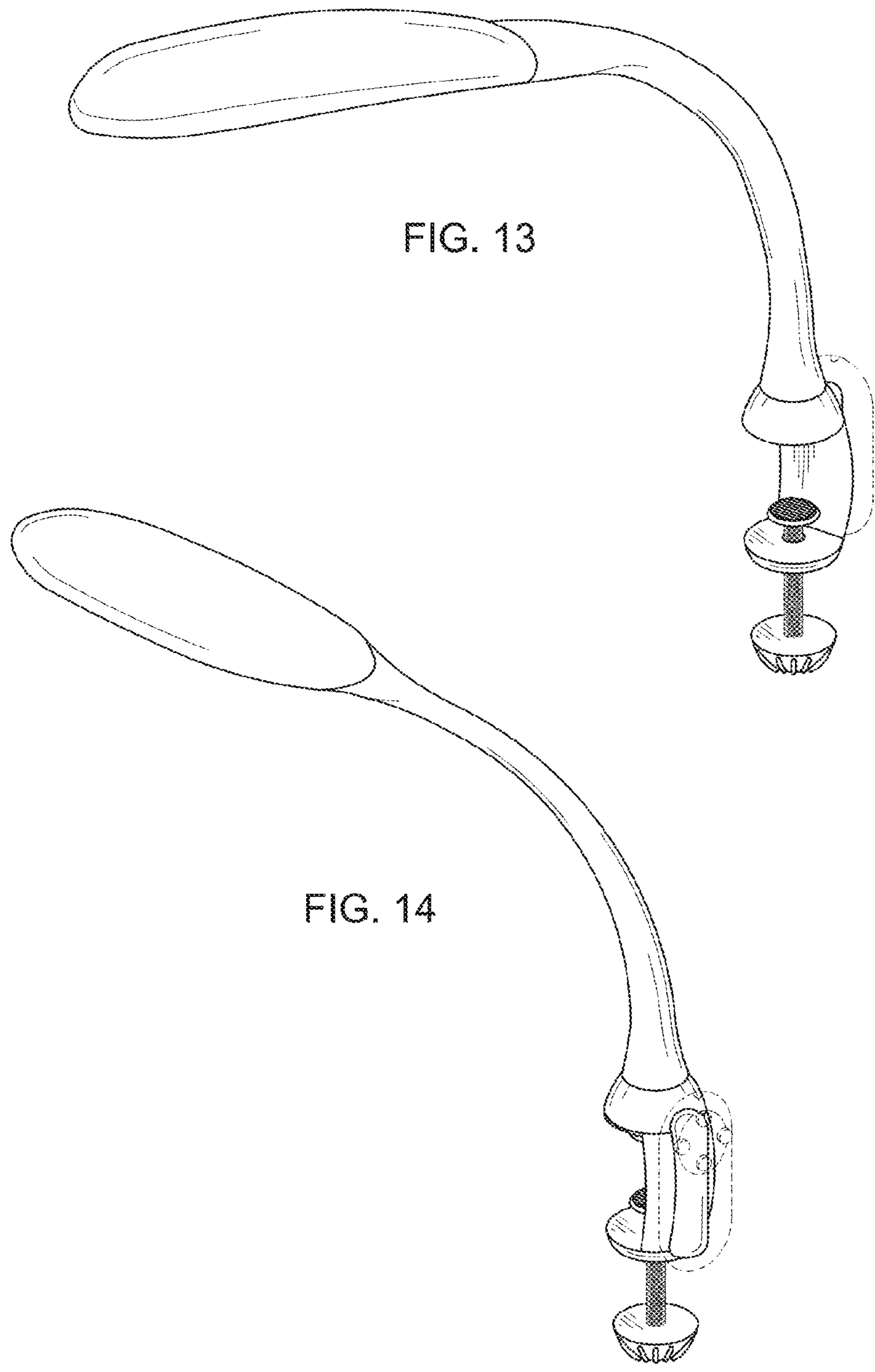
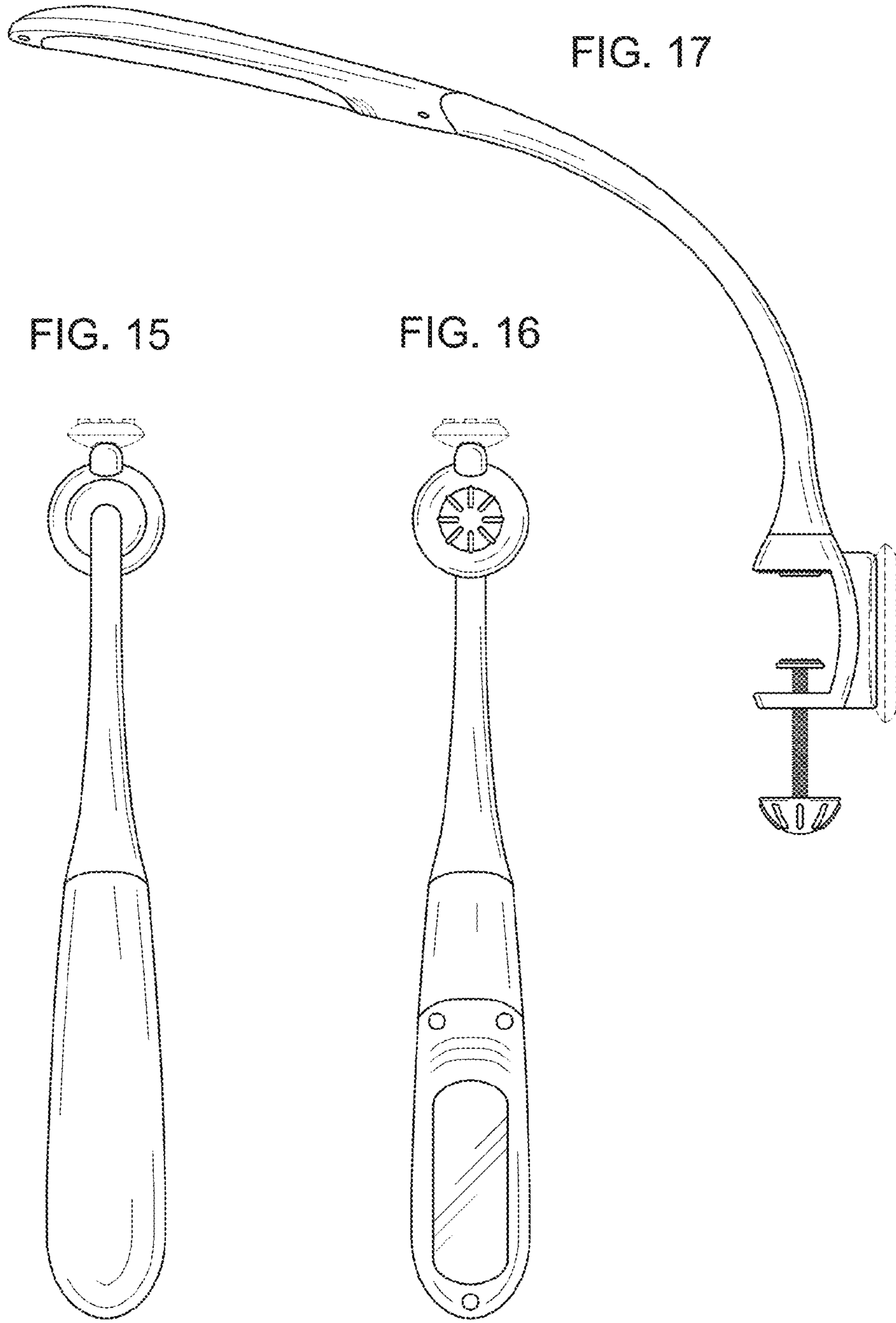


FIG. 13

FIG. 14



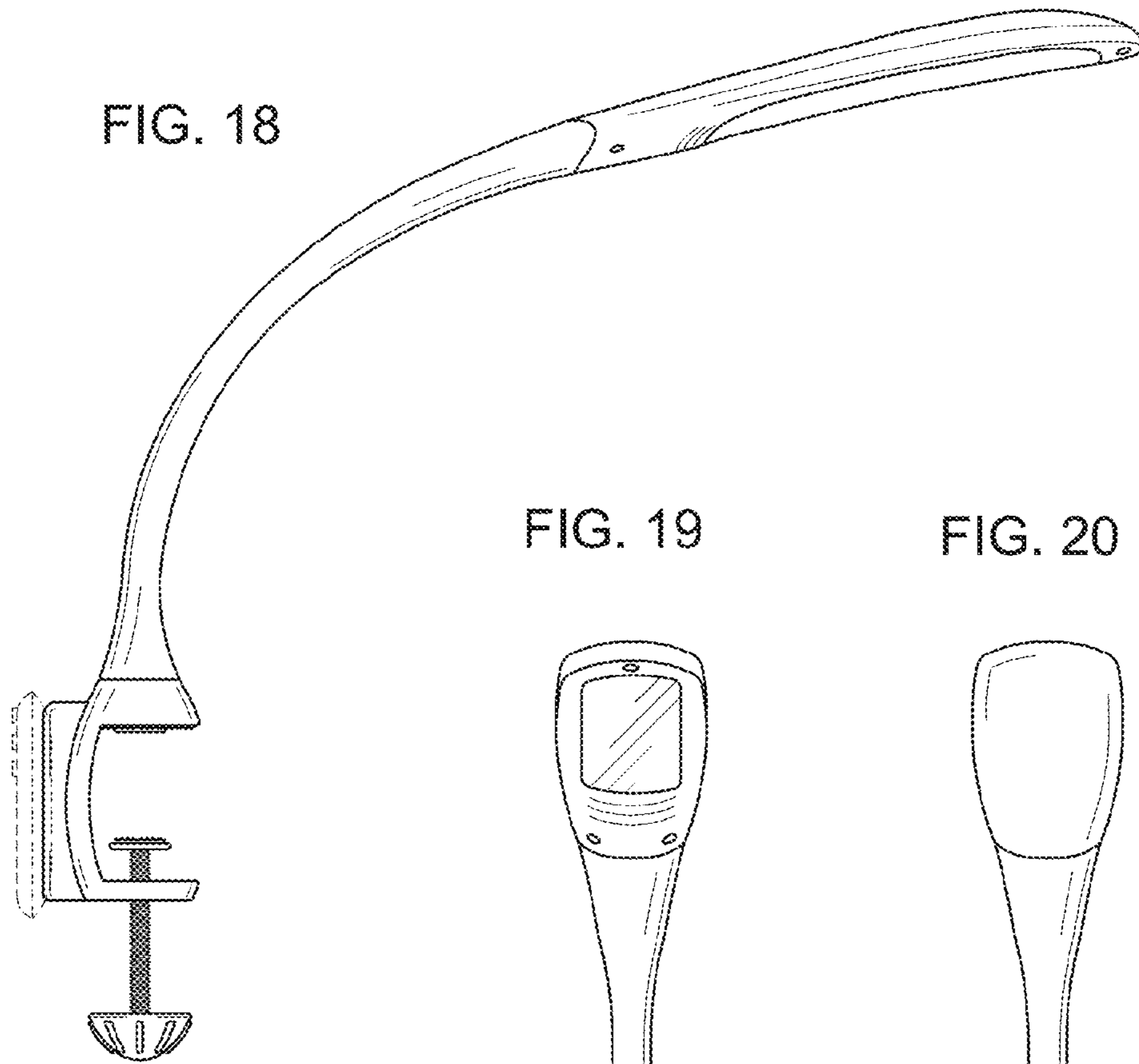


FIG. 19

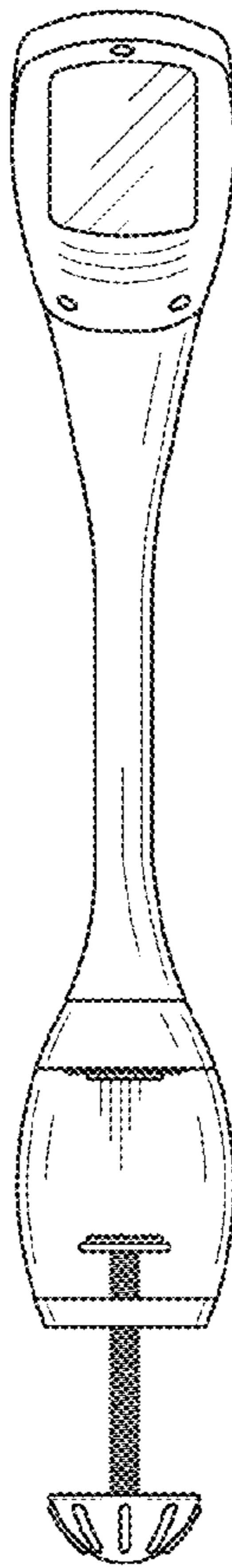
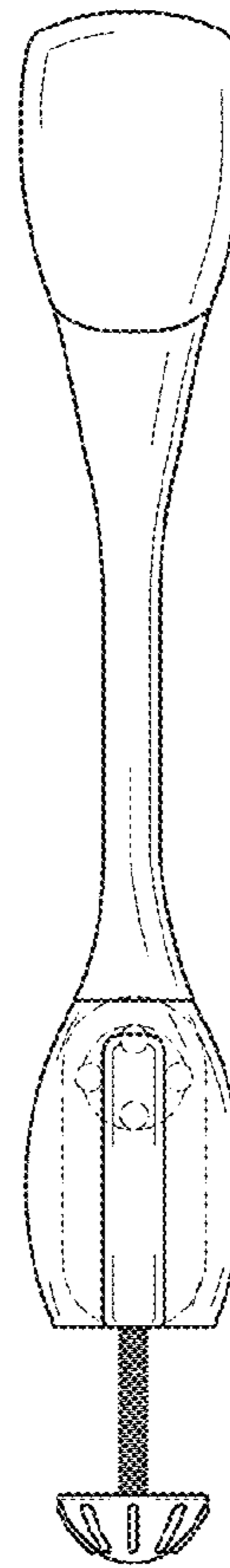


FIG. 20



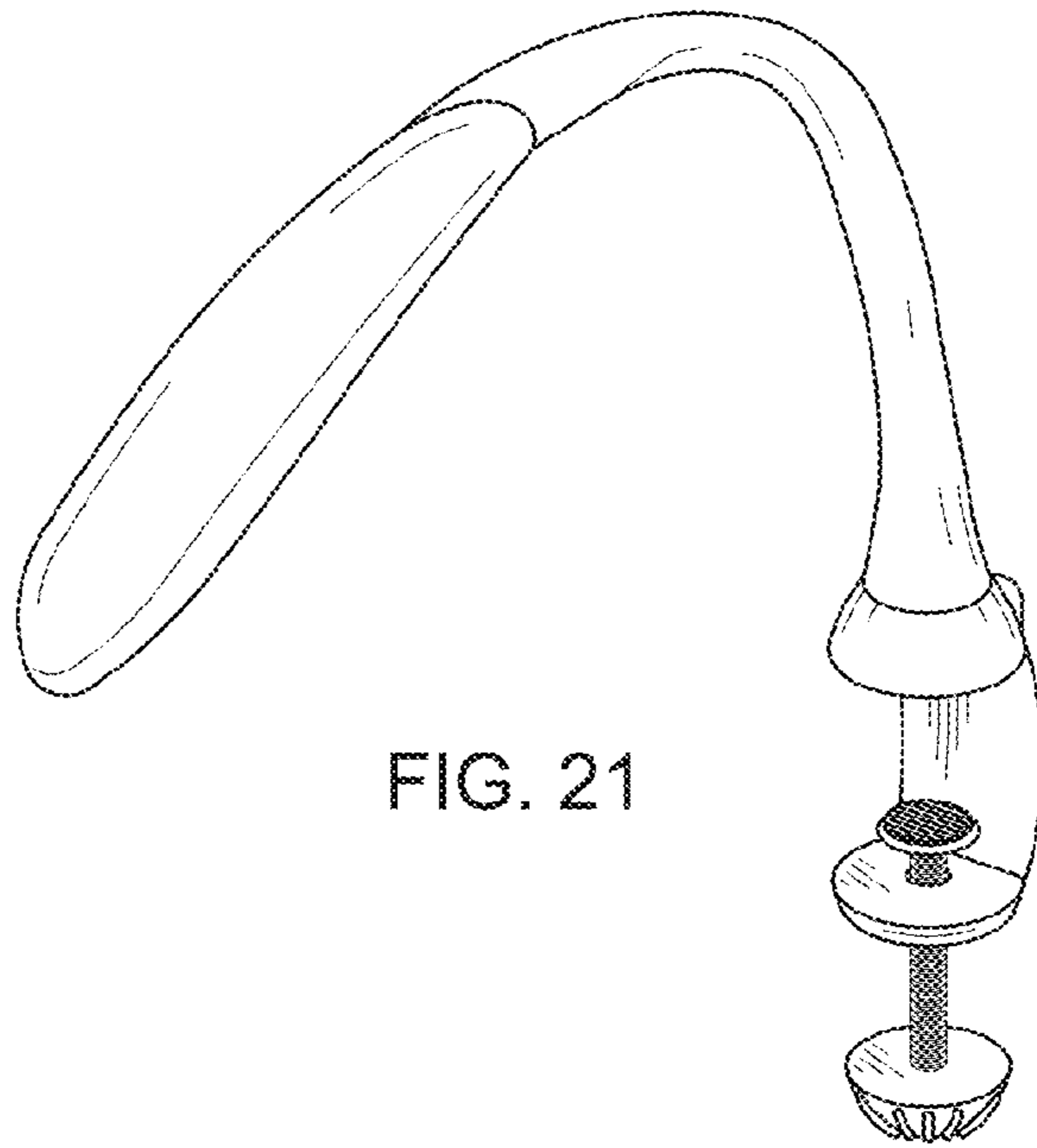


FIG. 21

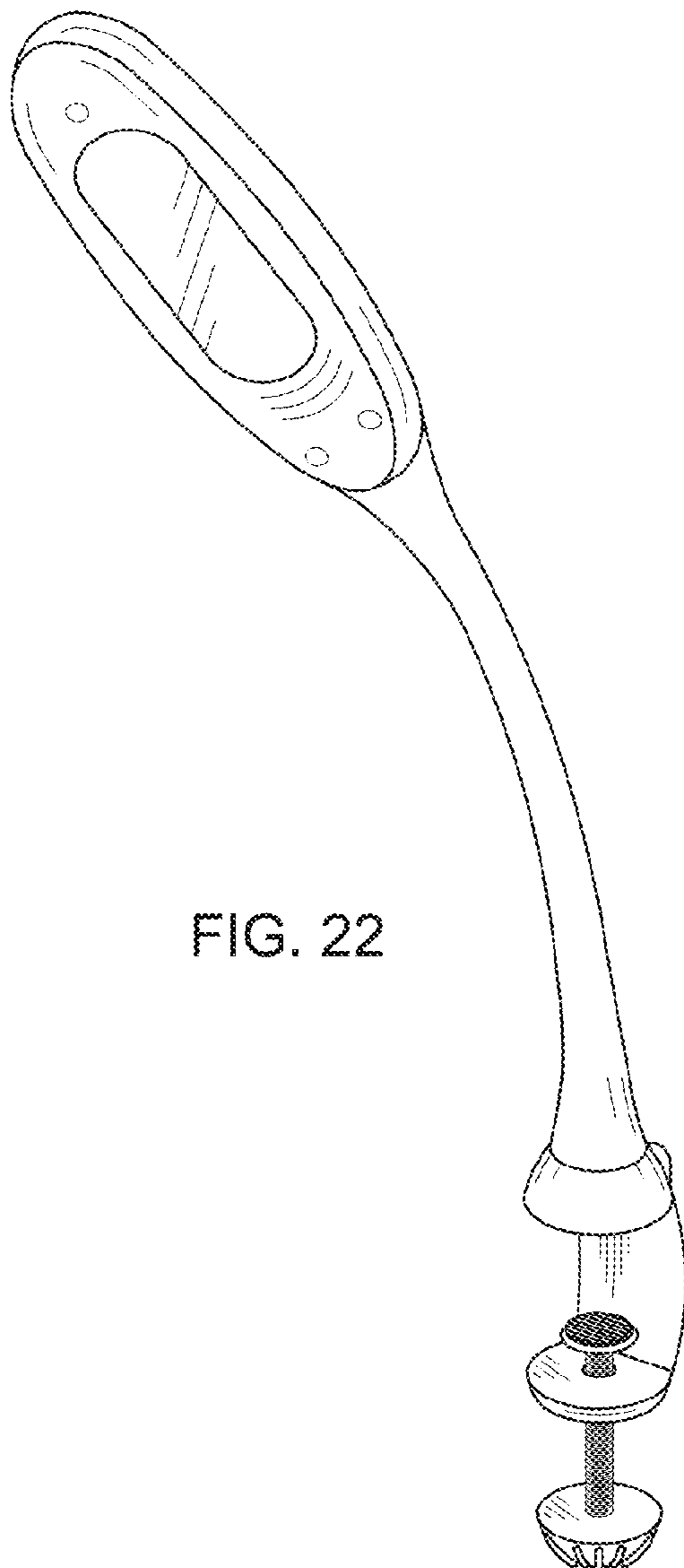


FIG. 22

