

US00D732213S

(12) **United States Design Patent**
Fagerström

(10) **Patent No.:** **US D732,213 S**
(45) **Date of Patent:** **** Jun. 16, 2015**

(54) **CANDLESTICK**

(71) Applicant: **Designers Company ApS**, Fredensborg (DK)

(72) Inventor: **Kristoffer Fagerström**, Stockholm (SE)

(73) Assignee: **DESIGNERS COMPANY APS**, Fredensborg (DK)

(**) Term: **14 Years**

(21) Appl. No.: **29/498,903**

(22) Filed: **Aug. 8, 2014**

(51) **LOC (10) Cl.** **26-01**

(52) **U.S. Cl.**
USPC **D26/9**

(58) **Field of Classification Search**
USPC D26/5-23; D11/143-156, 131, 131.1, D11/157, 164; 431/125, 299, 126, 292, 289
See application file for complete search history.

(56) **References Cited**

U.S. PATENT DOCUMENTS

D167,924 S *	10/1952	Bisharat	D26/15
D177,286 S *	3/1956	Stofko	D26/21
D470,432 S *	2/2003	Rabinowitz	D11/125
2007/0059656 A1 *	3/2007	Chang	431/296

* cited by examiner

Primary Examiner — T. Chase Nelson

Assistant Examiner — Ania Aman

(74) *Attorney, Agent, or Firm* — Birch, Stewart, Kolasch & Birch, LLP

(57) **CLAIM**

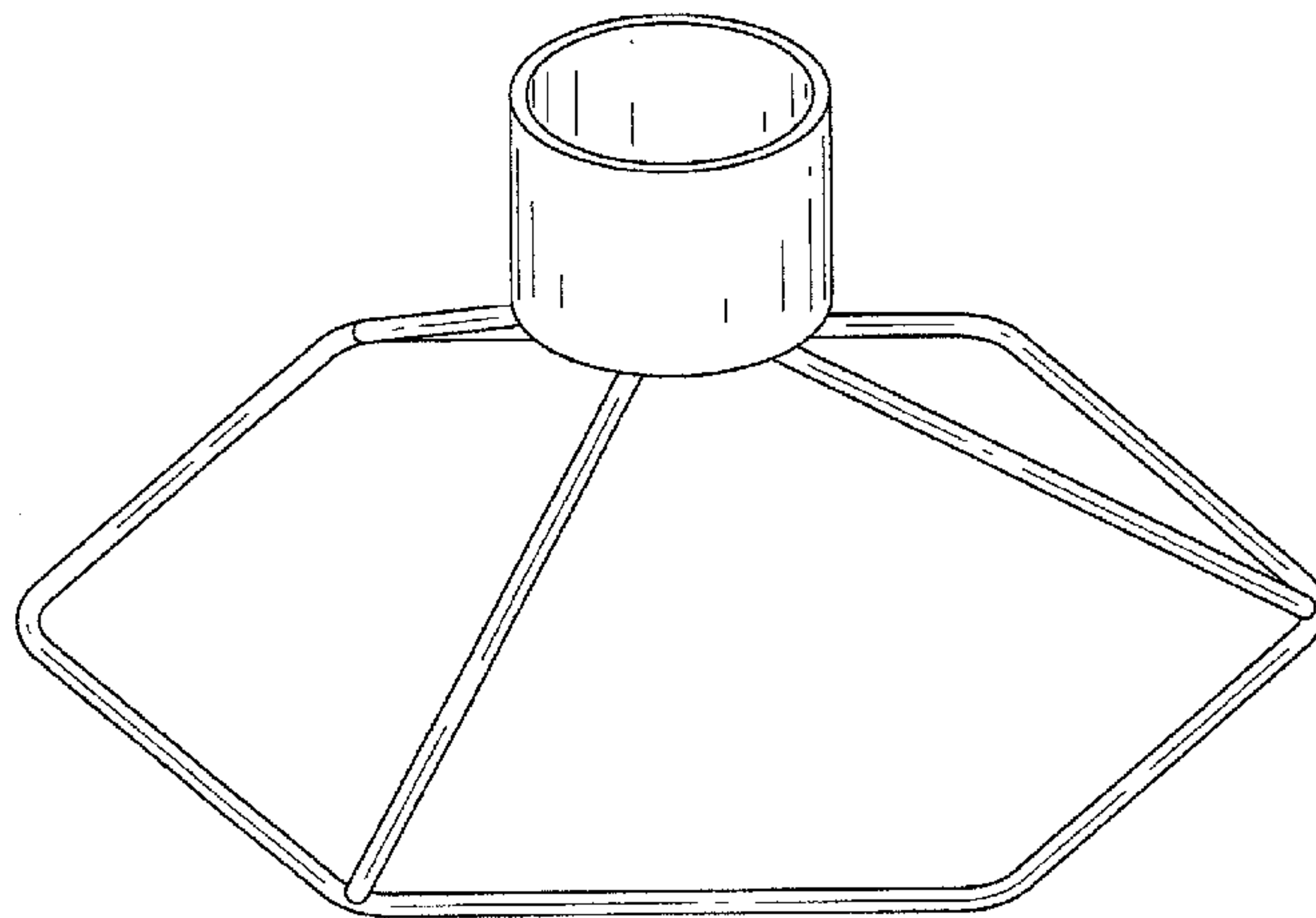
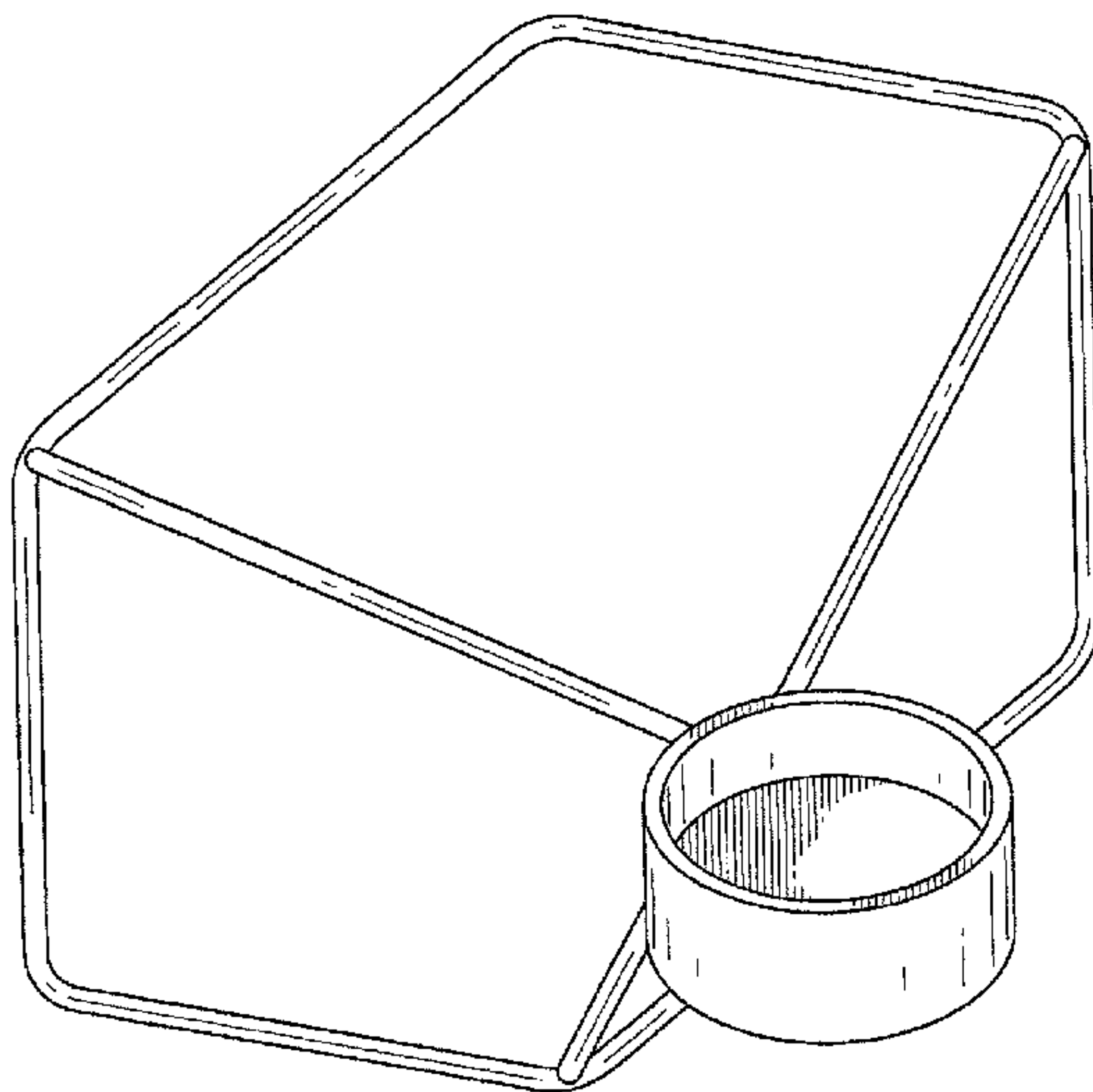
The ornamental design for candlestick, as shown and described.

DESCRIPTION

FIG. 1 is a front perspective view of a first embodiment of a wall mounted candlestick showing my new design; FIG. 2 is a front elevation view thereof; FIG. 3 is a rear elevational view thereof; FIG. 4 is a right side elevational view thereof; FIG. 5 is a left side elevational view thereof; FIG. 6 is a top plan view thereof; FIG. 7 is a bottom view thereof; FIG. 8 is a front elevational view in a stacked arrangement; FIG. 9 is a front perspective view of a second embodiment of a table mounted candlestick showing my new design; FIG. 10 is a front elevation view thereof; FIG. 11 is a rear elevational view thereof; FIG. 12 is a right side elevational view thereof; FIG. 13 is a left side elevational view thereof; FIG. 14 is a top plan view thereof; and, FIG. 15 is a bottom view thereof.

The broken lines shown in the drawings are for the purpose of showing environmental structure only and form no part of the claimed design.

1 Claim, 15 Drawing Sheets



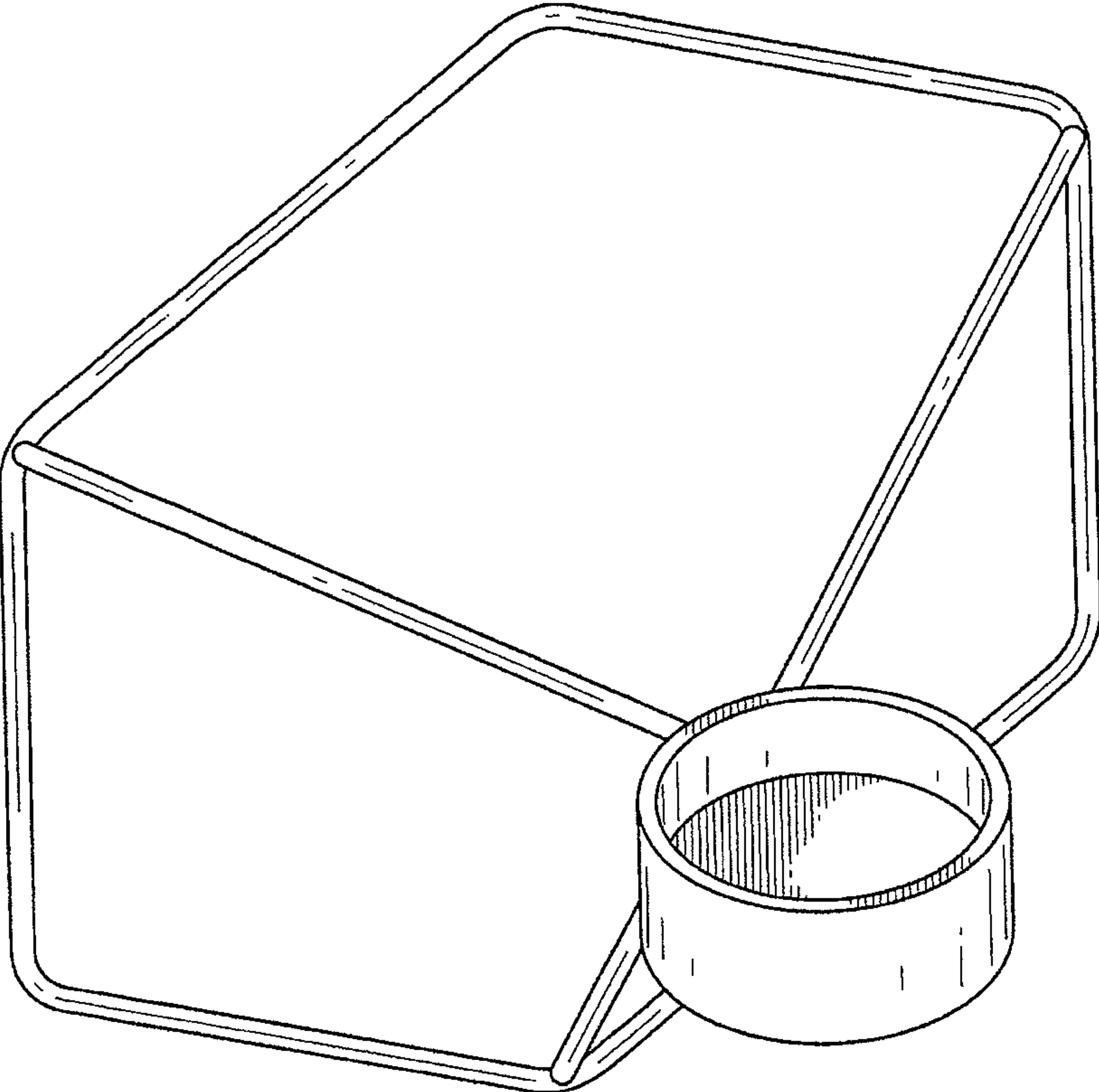


FIG. 1

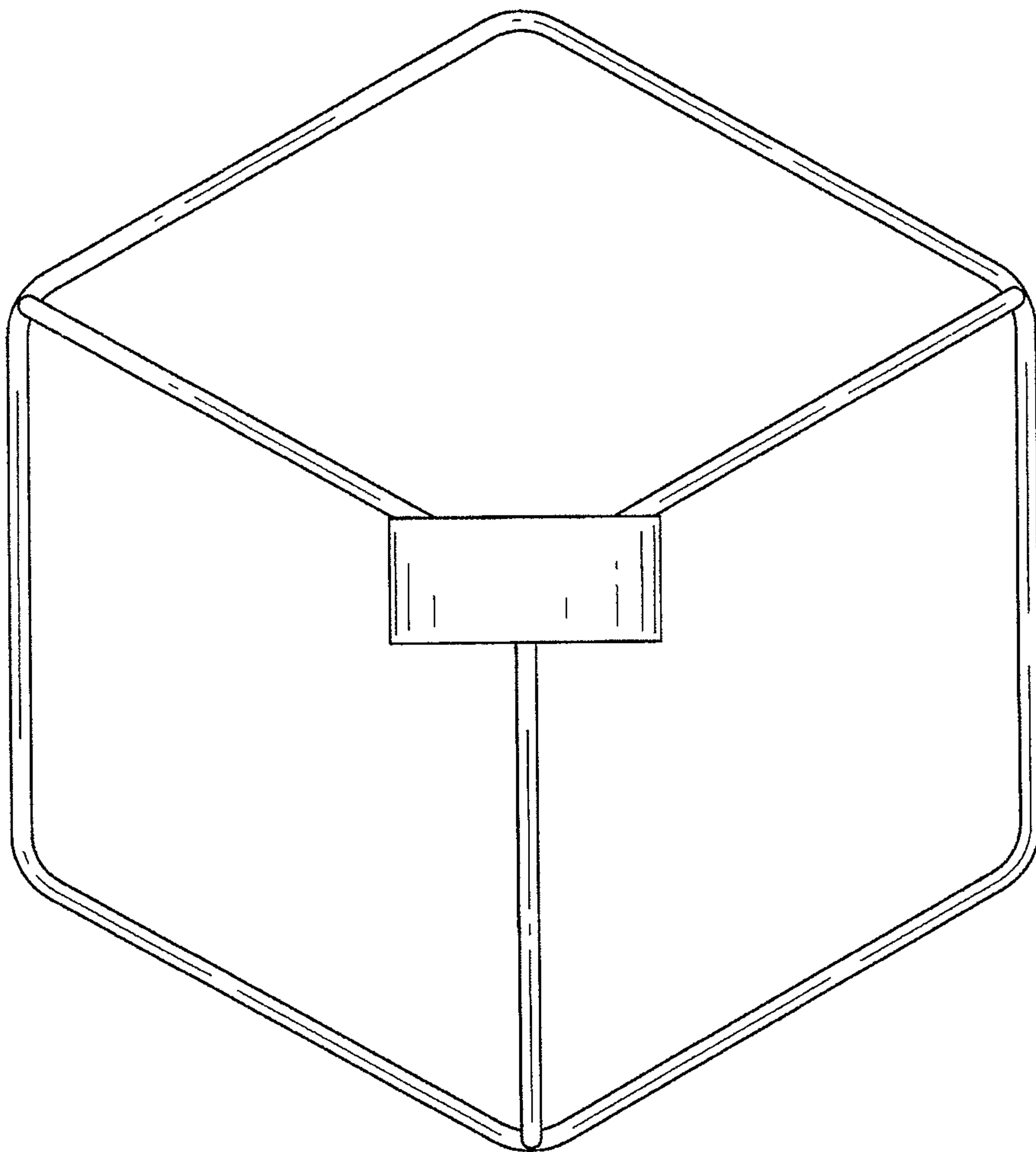


FIG.2

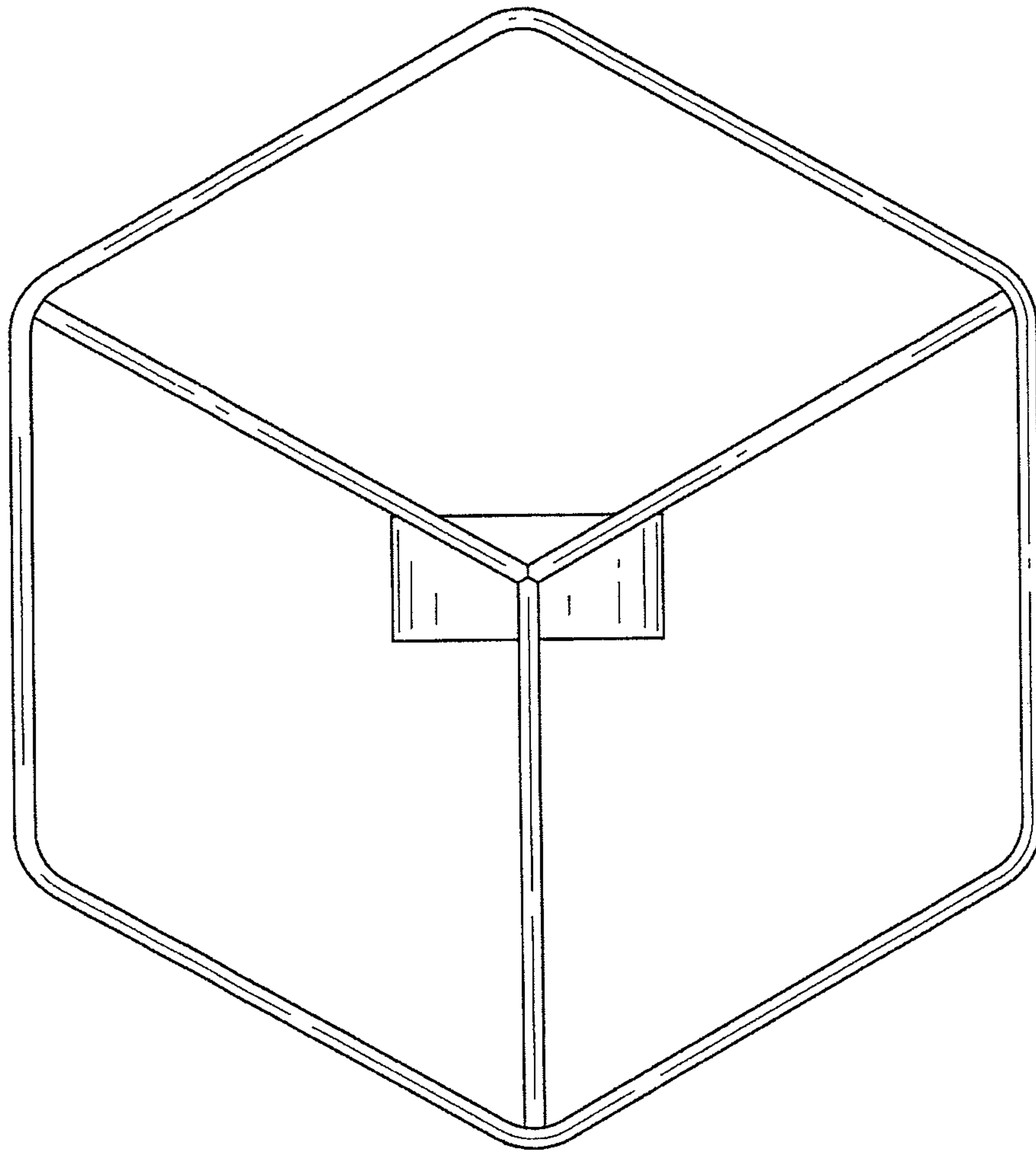


FIG.3

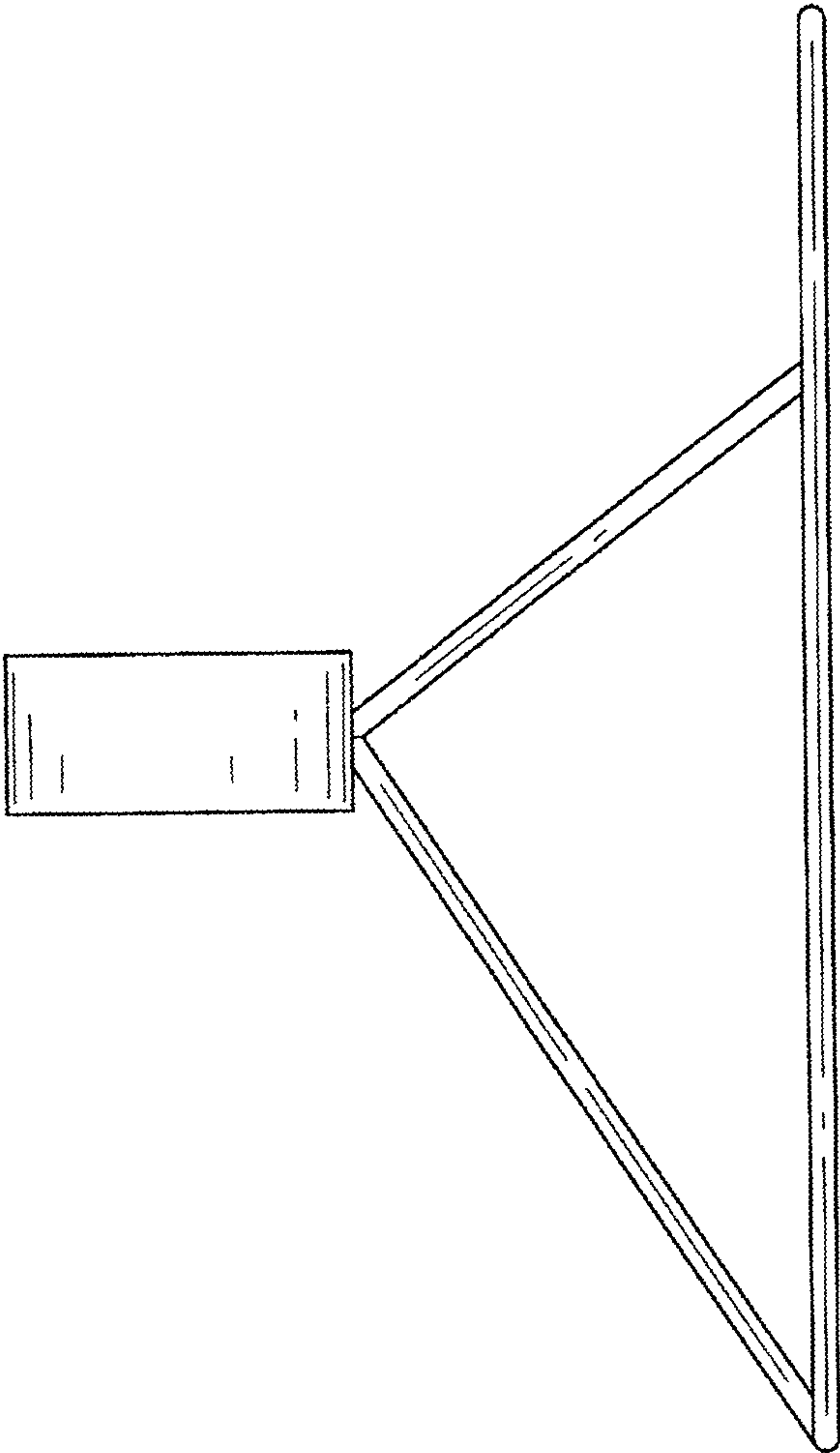


FIG. 4

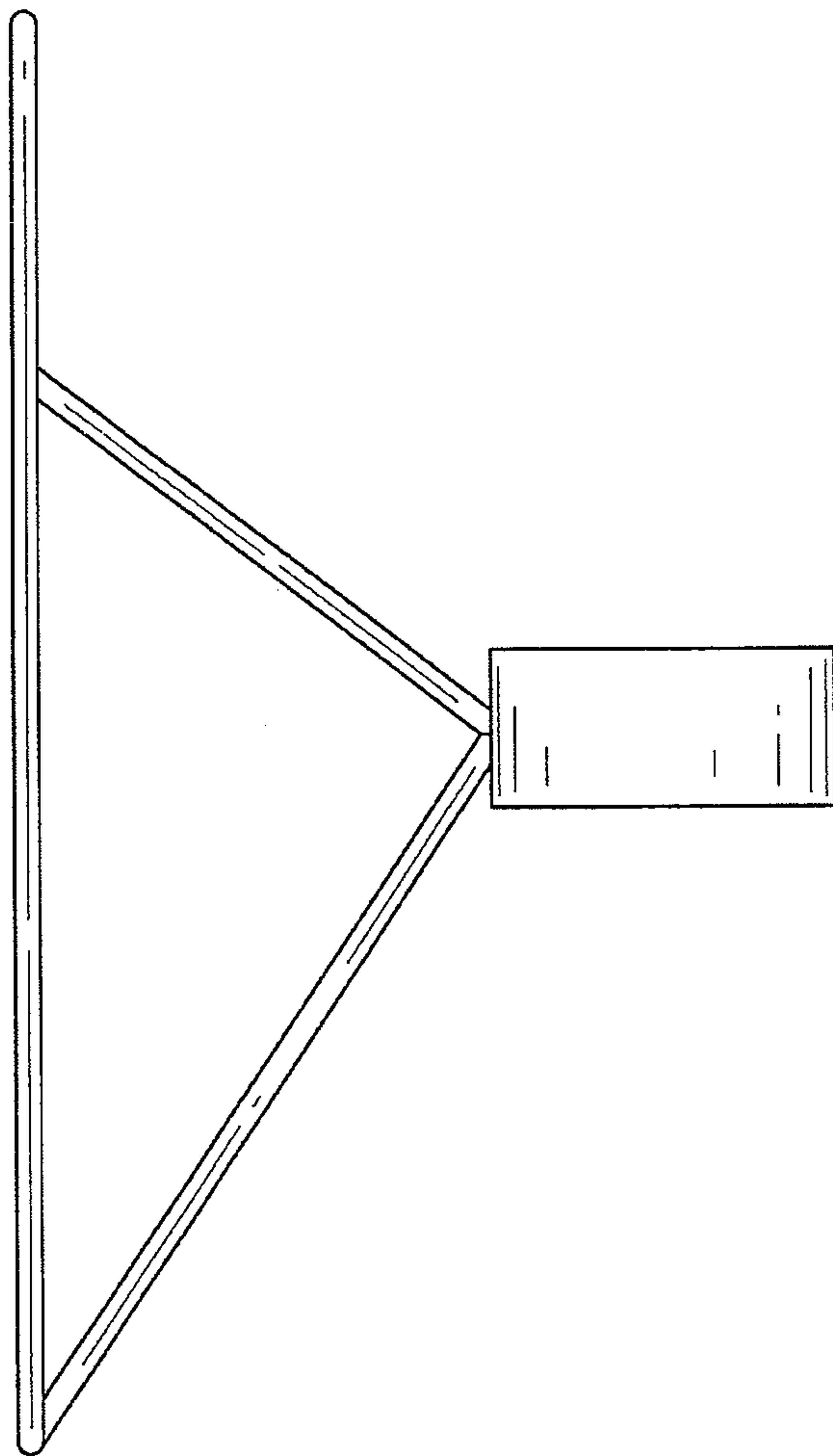


FIG.5

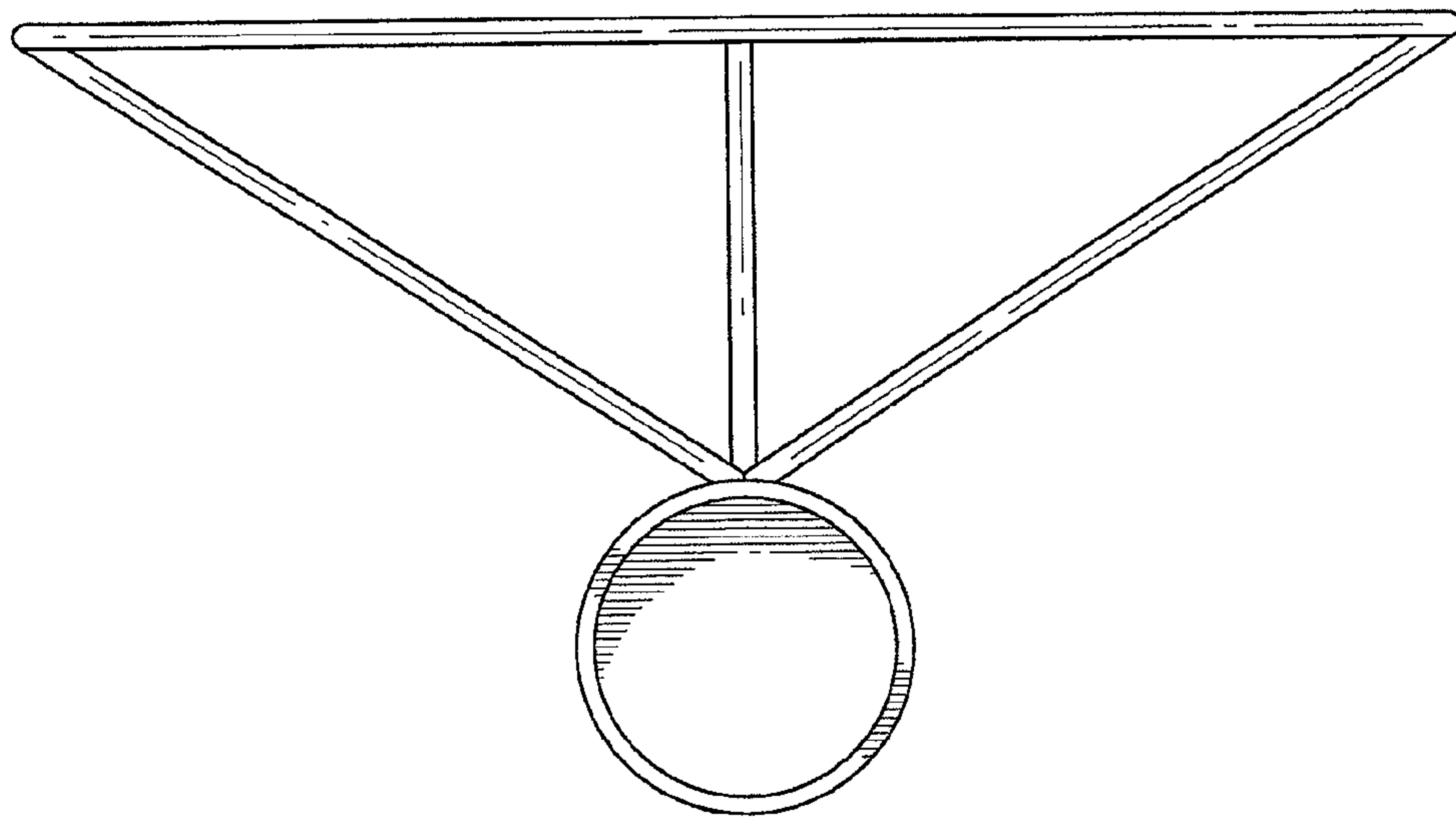


FIG.6

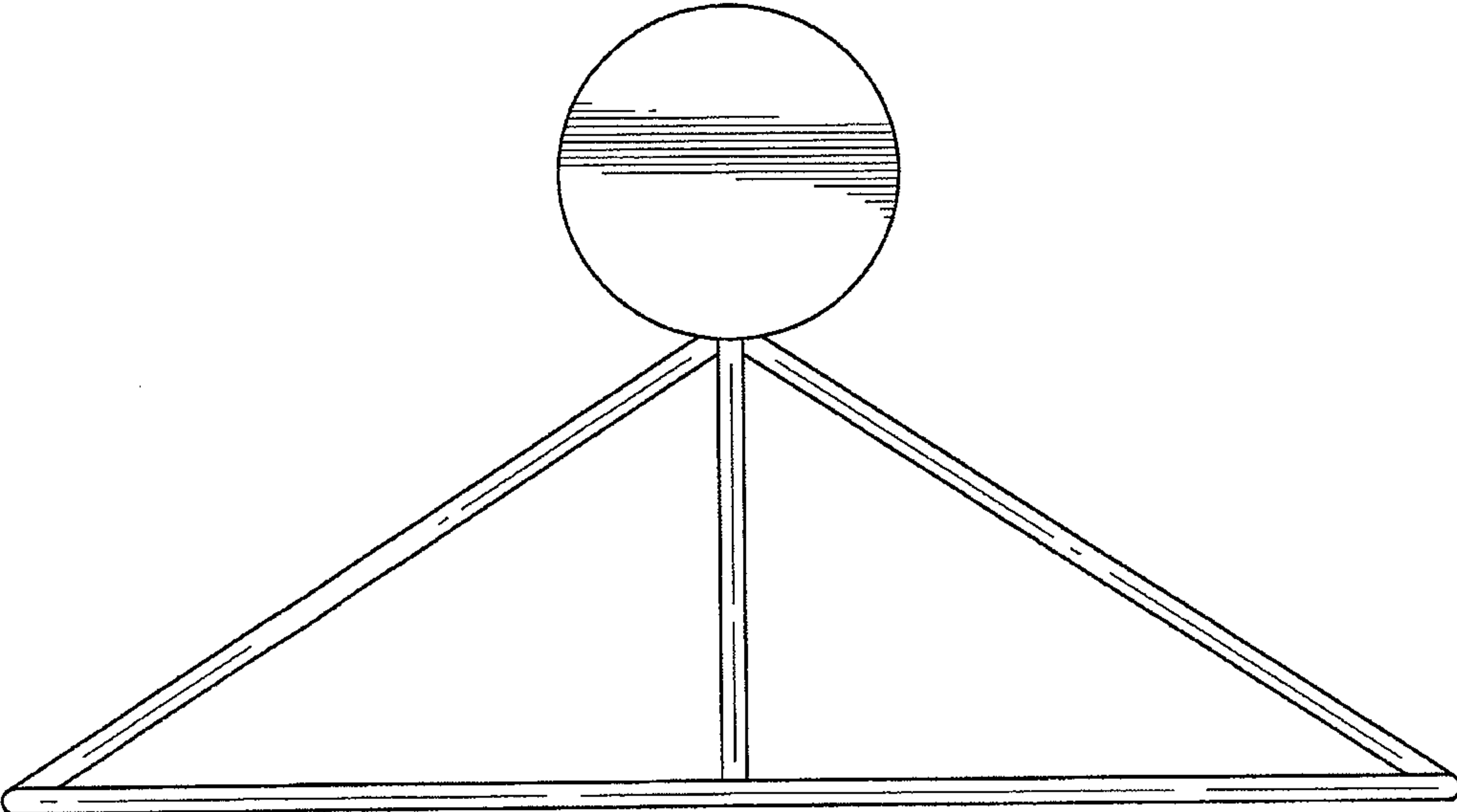


FIG.7

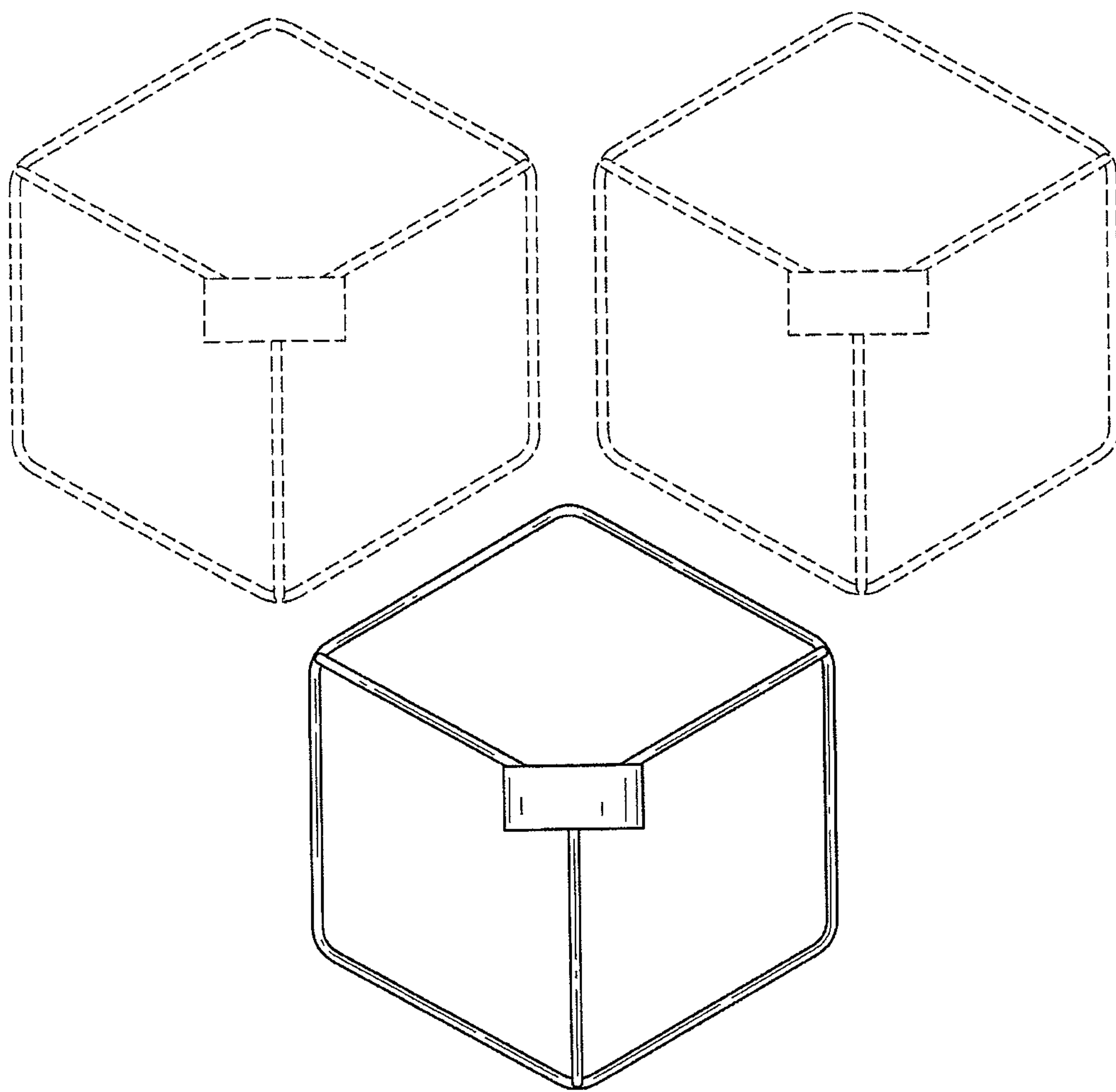


FIG.8

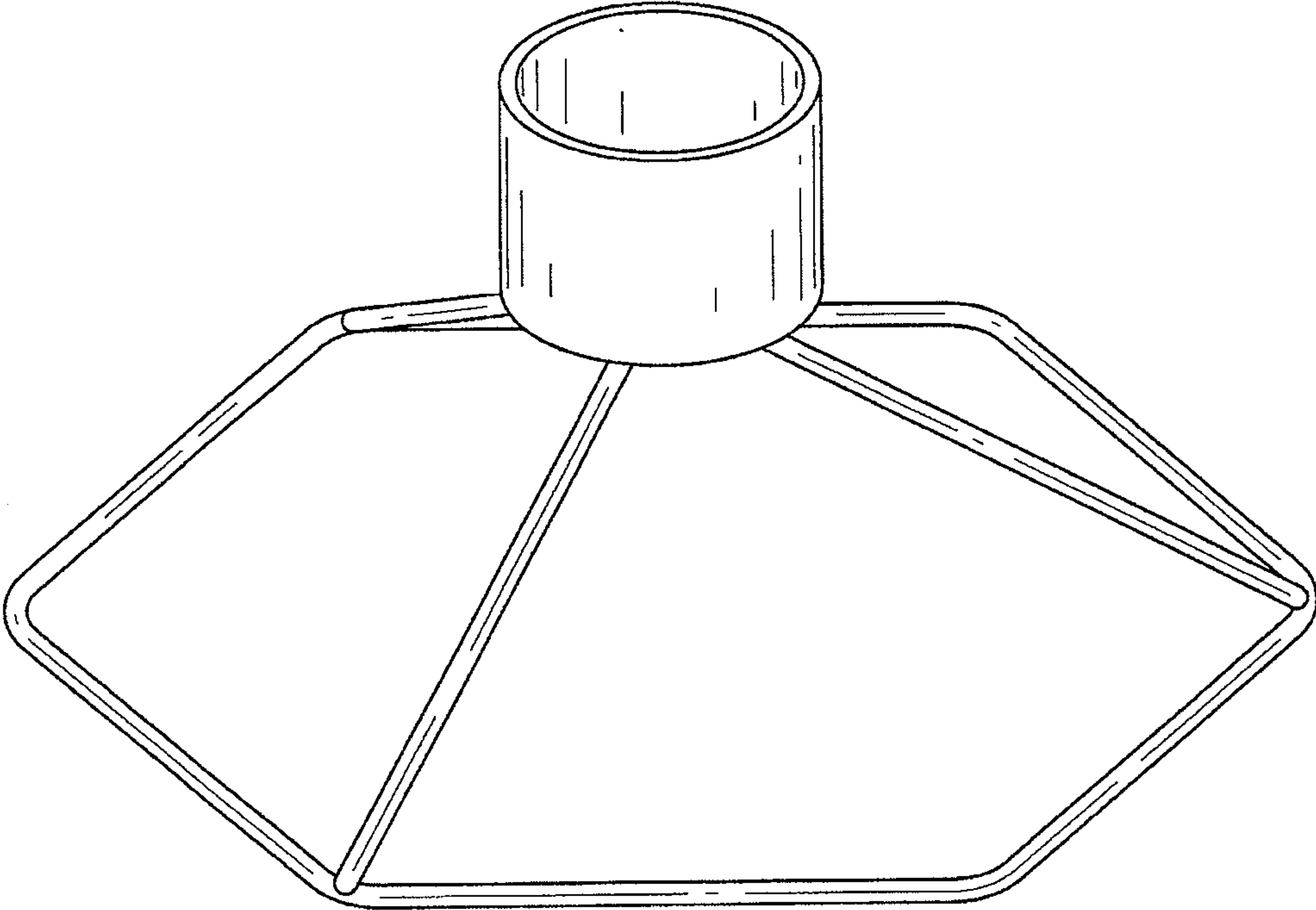


FIG.9

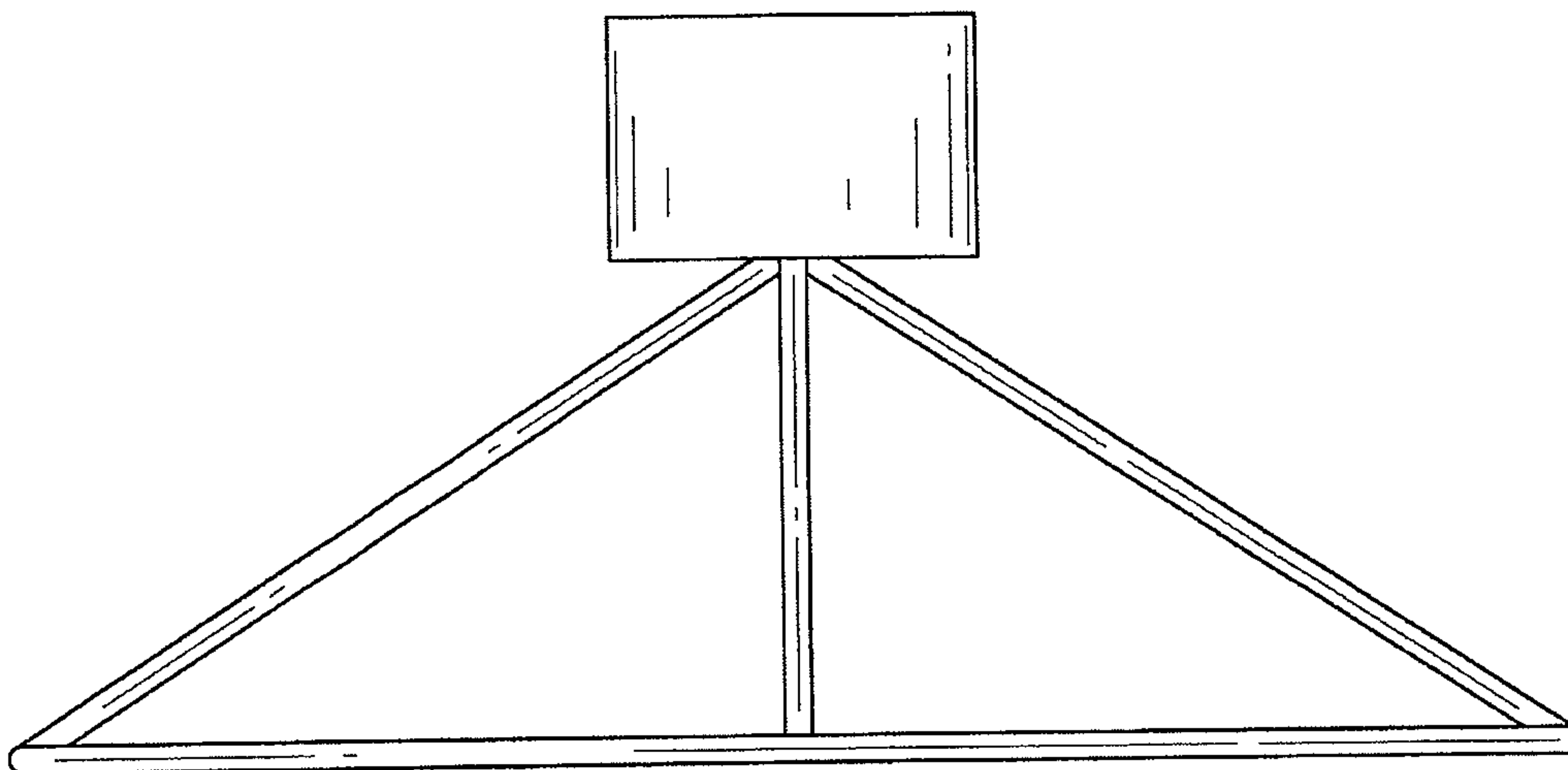


FIG.10

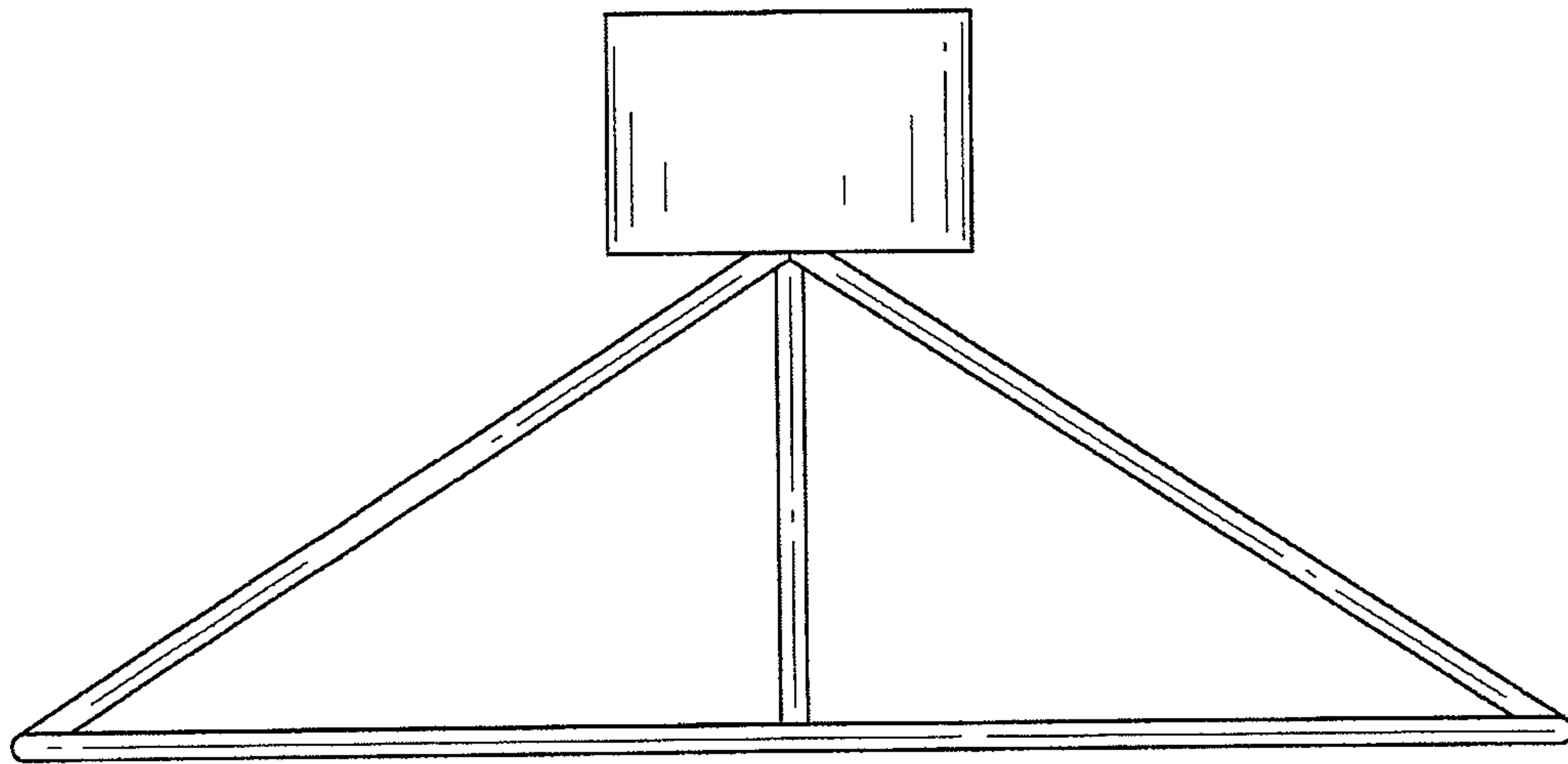


FIG.11

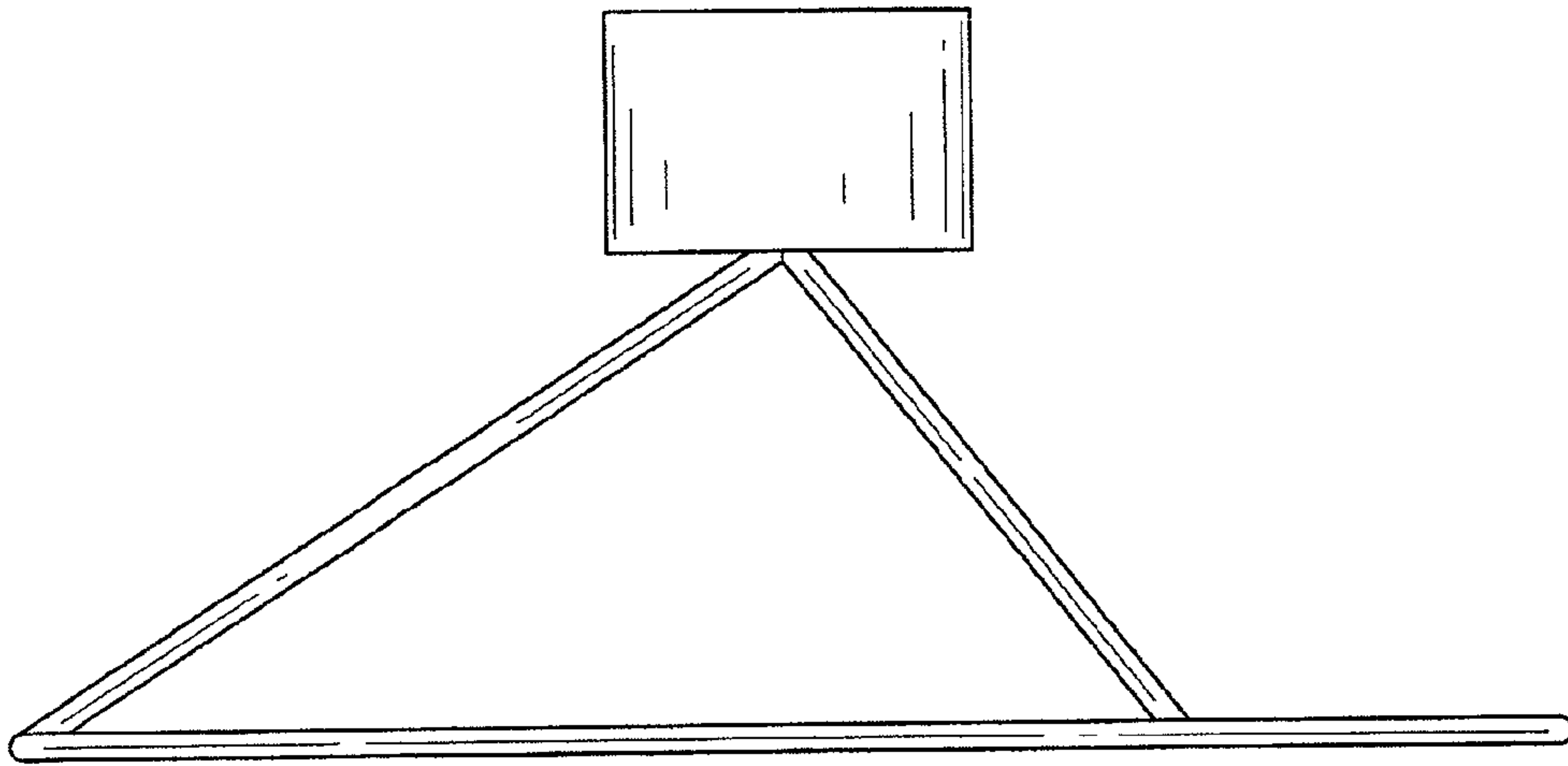


FIG.12

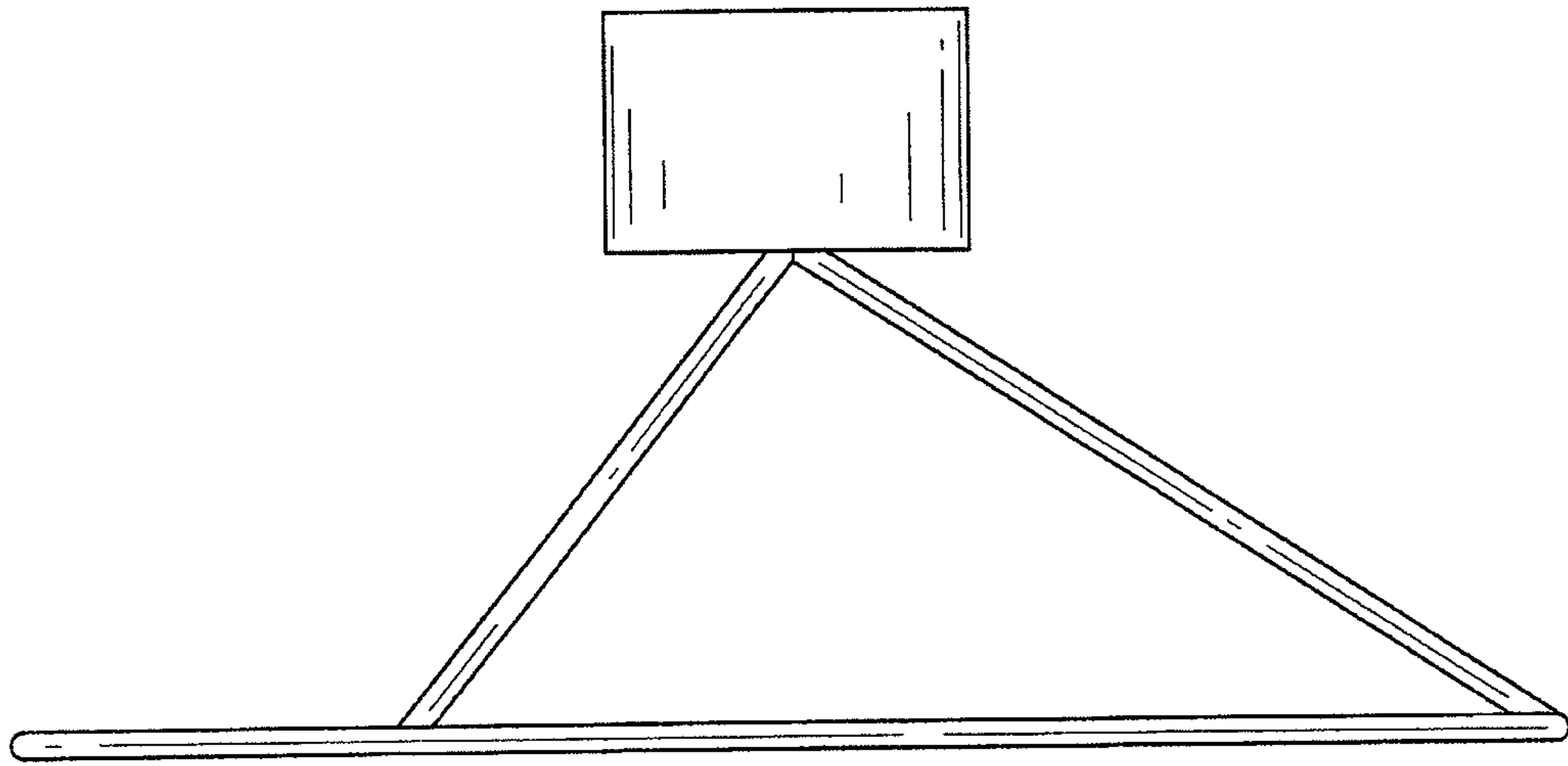


FIG.13

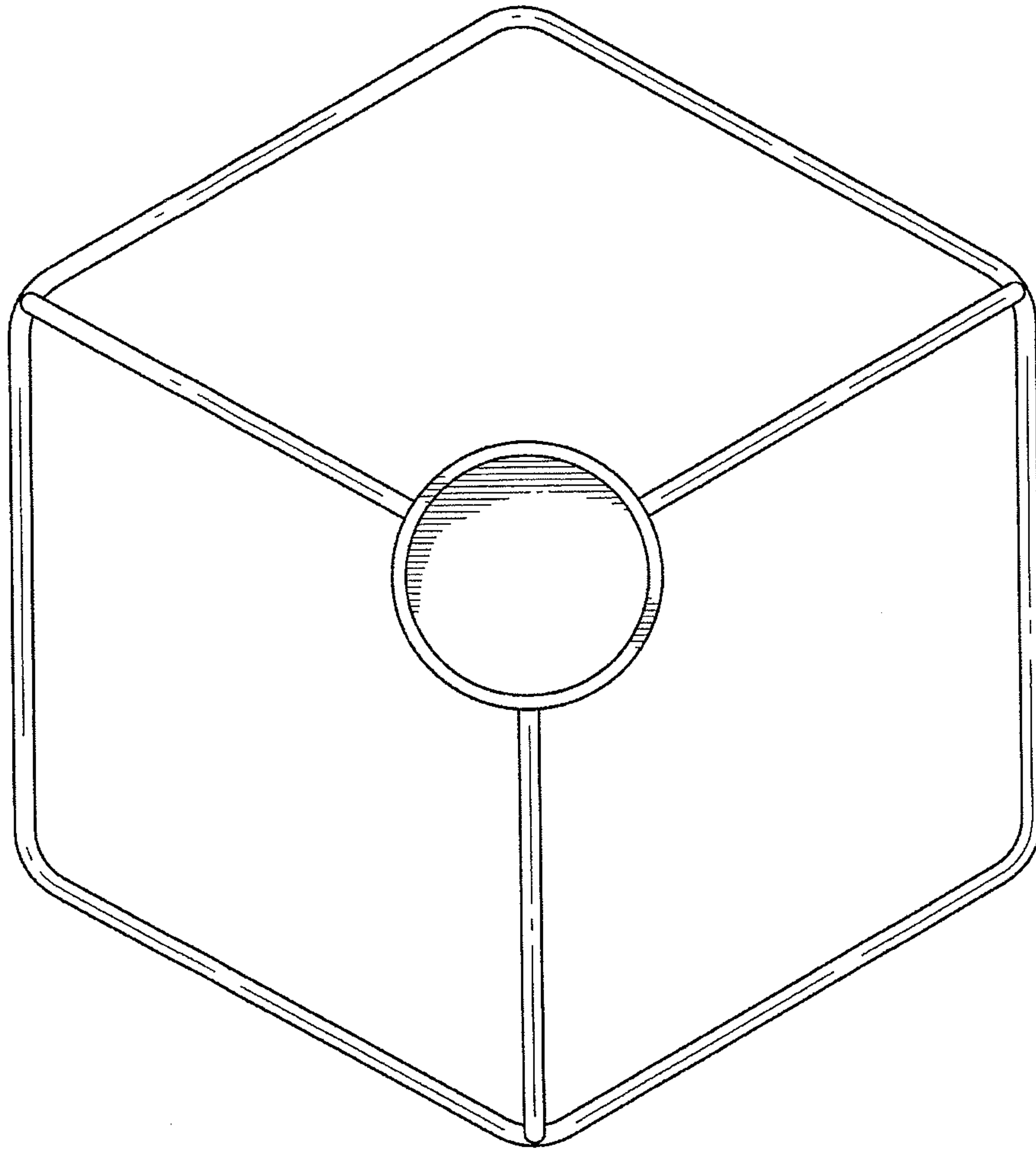


FIG.14

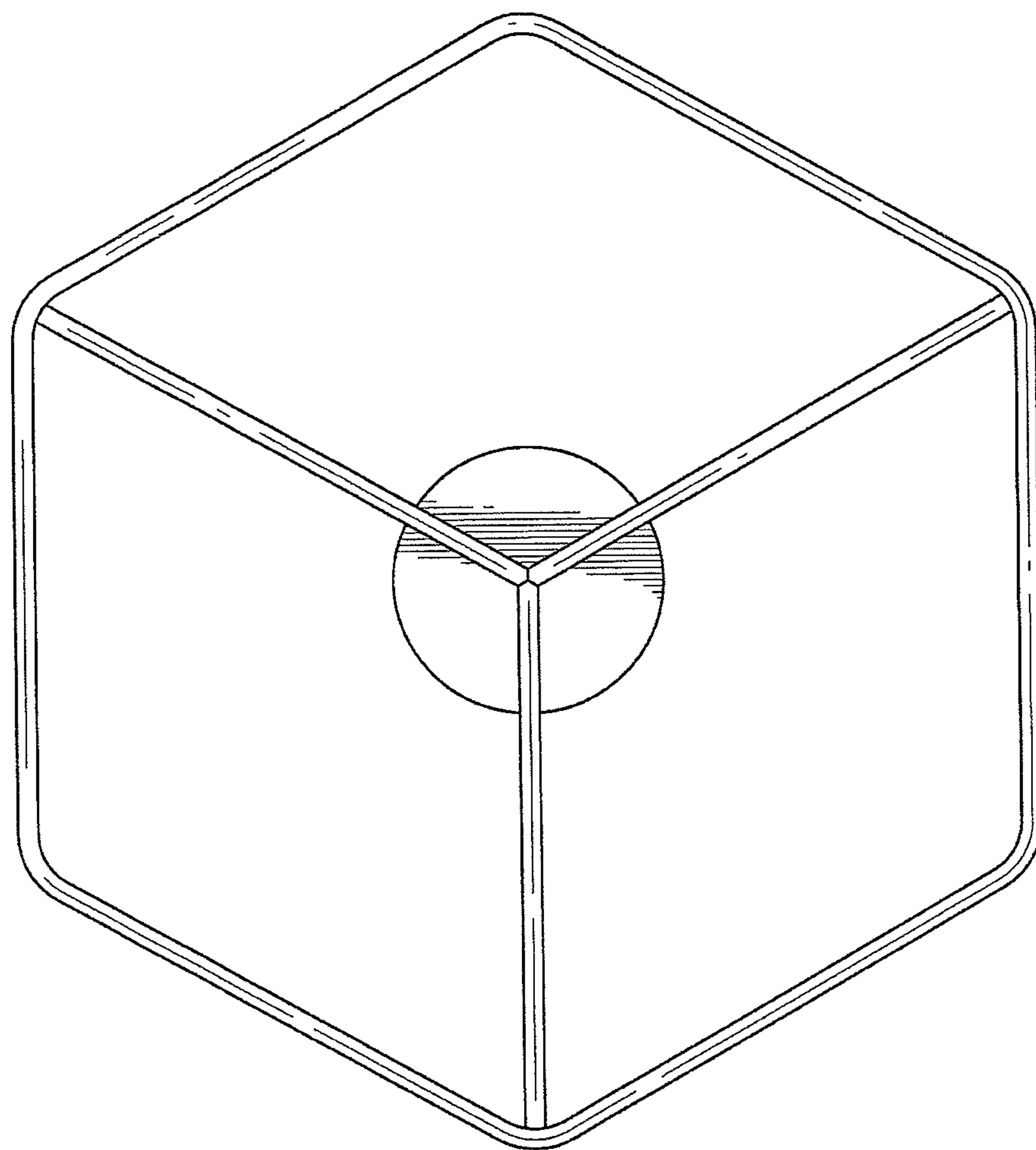


FIG.15