



US00D732211S

(12) **United States Design Patent**
Cho et al.

(10) **Patent No.:** **US D732,211 S**
(45) **Date of Patent:** **** Jun. 16, 2015**

(54) **LED LAMP**

D581,555 S * 11/2008 To et al. D26/2
D584,838 S * 1/2009 To et al. D26/2
D610,722 S * 2/2010 Bi D26/2
D663,057 S * 7/2012 Pan D26/2

(71) Applicant: **LG ELECTRONICS INC.**, Seoul (KR)

(72) Inventors: **Hankyu Cho**, Seoul (KR); **Chang Hyeuk**, Seoul (KR); **Bongho Kim**, Seoul (KR)

(73) Assignee: **LG Electronics Inc.**, Seoul (KR)

(**) Term: **14 Years**

(21) Appl. No.: **29/479,131**

(22) Filed: **Jan. 13, 2014**

(30) **Foreign Application Priority Data**

Jul. 19, 2013 (KR) 30-2013-0037512

(51) **LOC (10) Cl.** **26-04**

(52) **U.S. Cl.**
USPC **D26/2**

(58) **Field of Classification Search**
USPC D26/1-4; 313/313, 315, 316, 317, 318,
313/493; 315/52, 53, 56, 57, 58
See application file for complete search history.

(56) **References Cited**

U.S. PATENT DOCUMENTS

D532,532 S * 11/2006 Maxik D26/2
D544,110 S * 6/2007 Hooker et al. D26/2
D566,300 S * 4/2008 Lo D26/2

OTHER PUBLICATIONS

LG LED Lighting LED-R111 lamp, <http://blog.naver.com/lgb2bmall/150171630808>, Jun. 20, 2013.

* cited by examiner

Primary Examiner — Marcus Jackson

(74) *Attorney, Agent, or Firm* — Morgan, Lewis & Bockius LLP

(57) **CLAIM**

The ornamental design for a LED lamp, as shown and described.

DESCRIPTION

FIG. 1 is a front, bottom side, perspective view of a LED lamp showing our new design;
FIG. 2 is a front view thereof;
FIG. 3 is a rear view thereof;
FIG. 4 is a left side view thereof;
FIG. 5 is a right side view thereof;
FIG. 6 is a top view thereof;
FIG. 7 is a bottom view thereof; and,
FIG. 8 is a top front perspective view thereof.

1 Claim, 4 Drawing Sheets

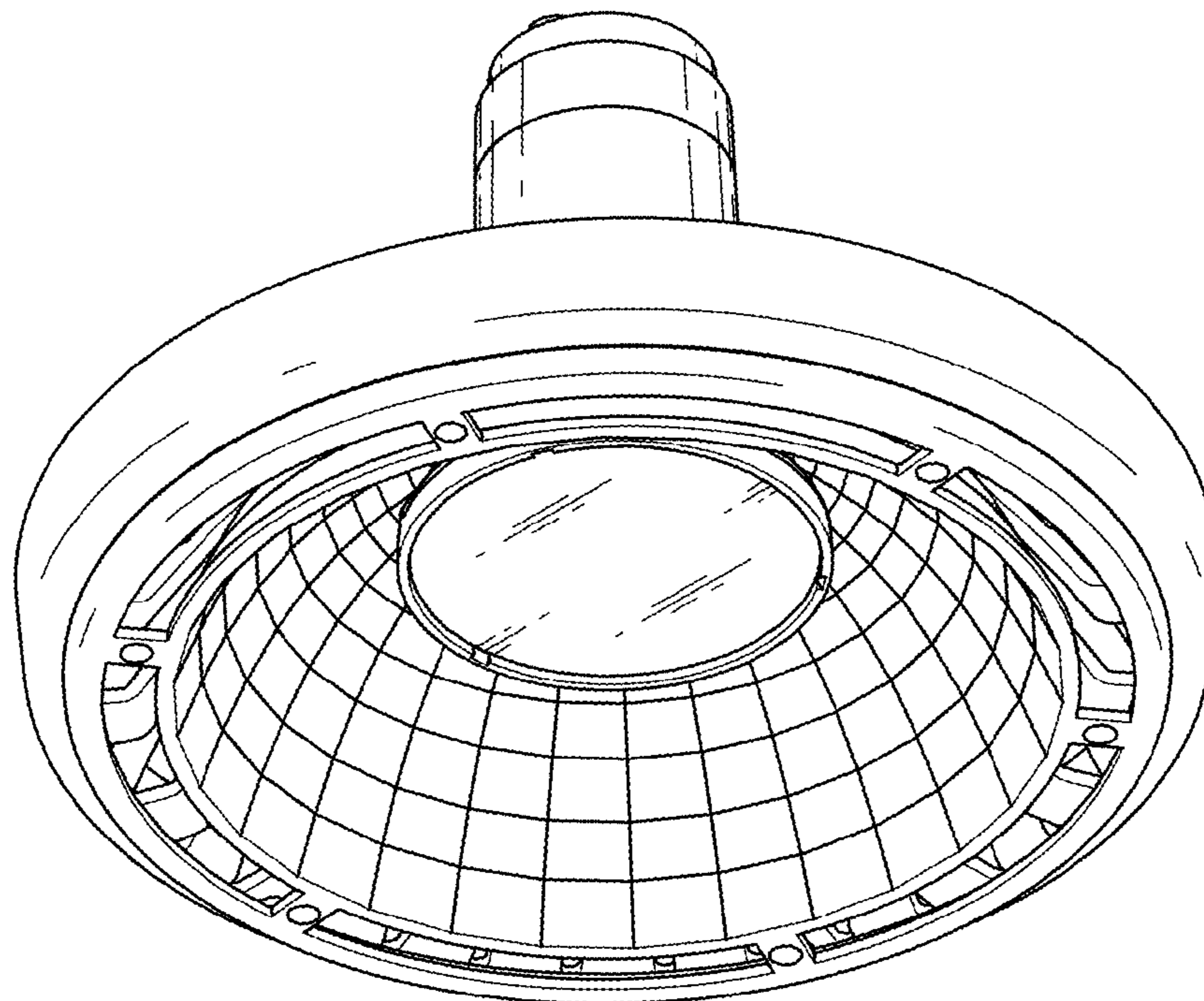


FIG. 1

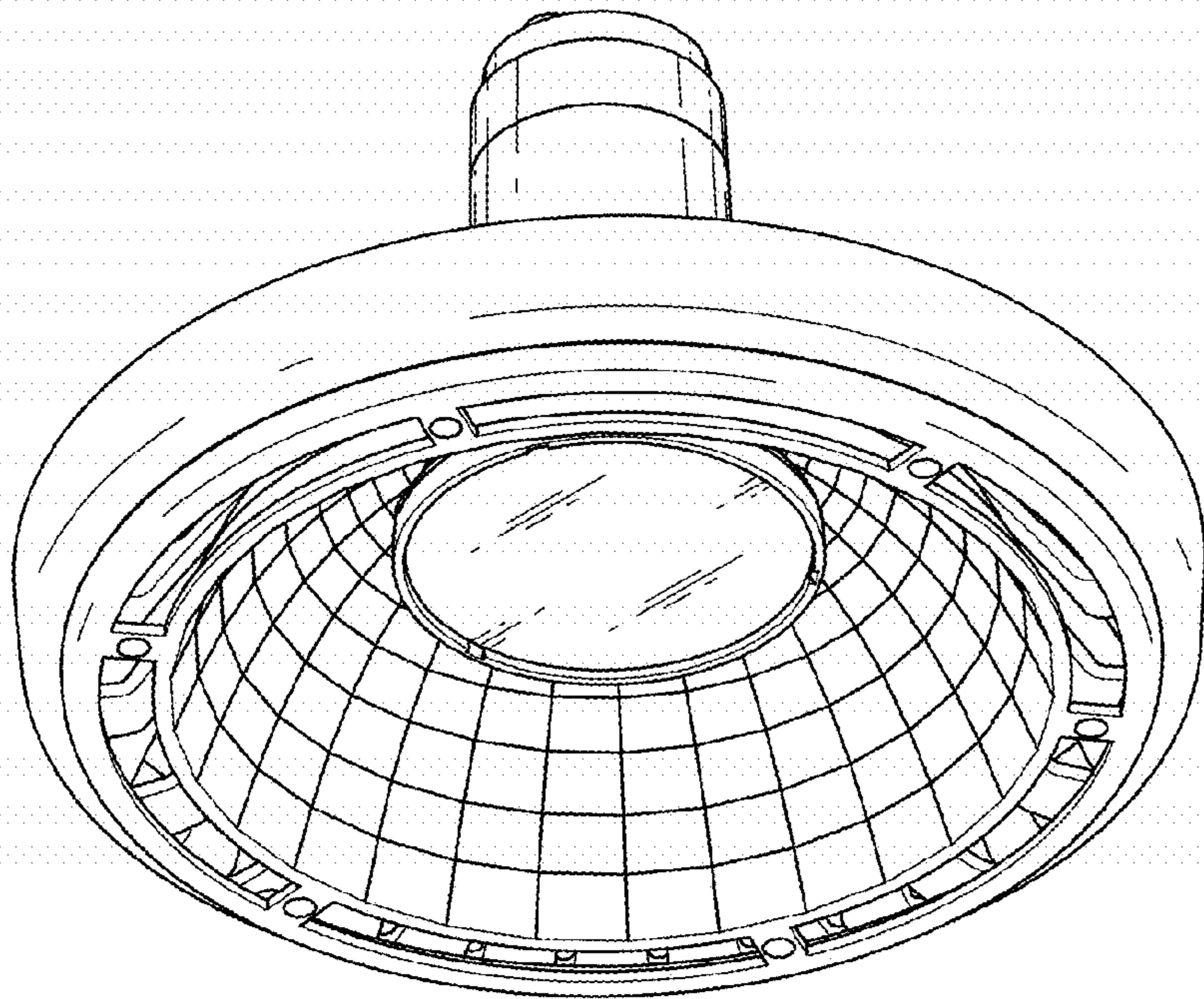


FIG. 2

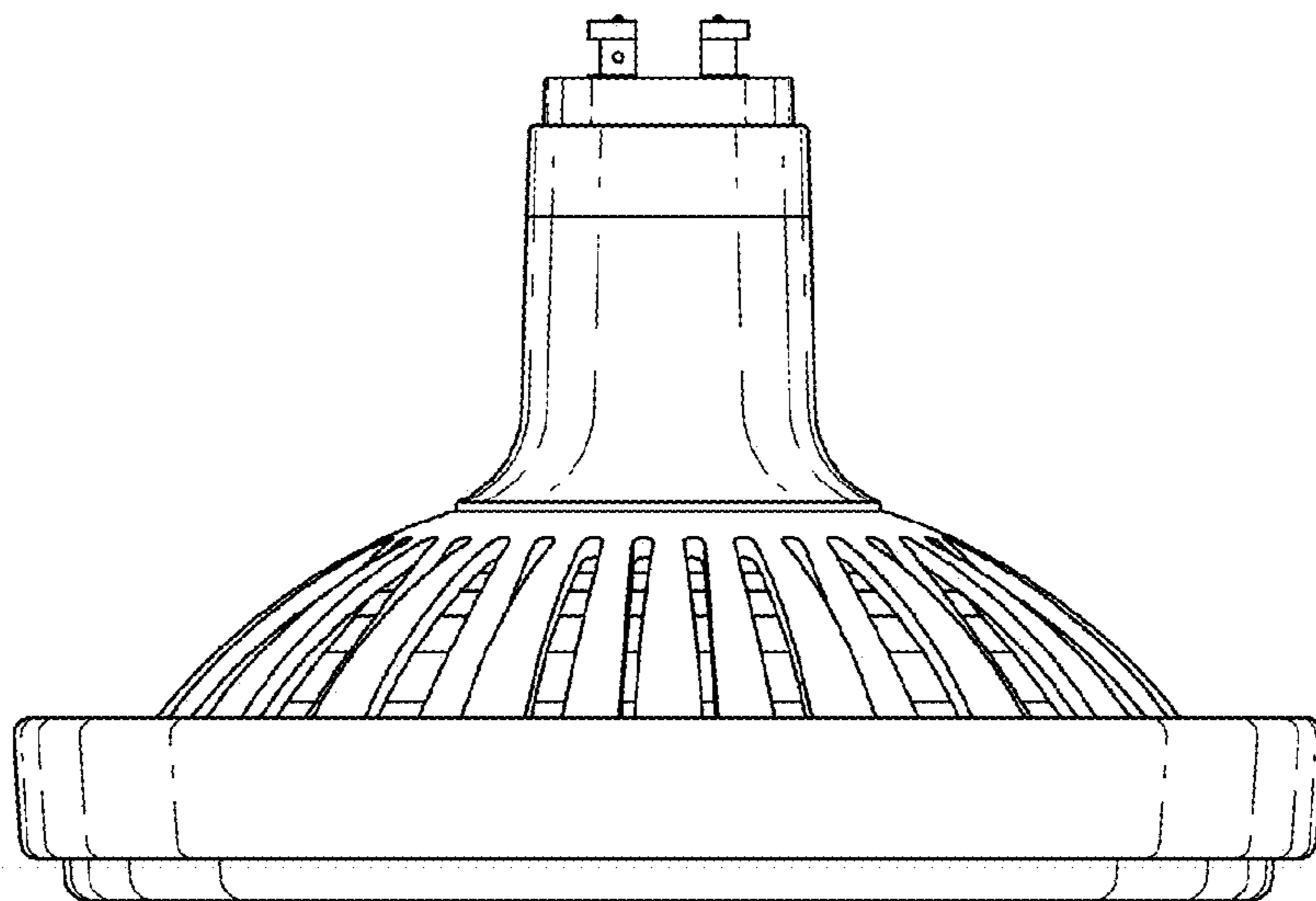


FIG. 3

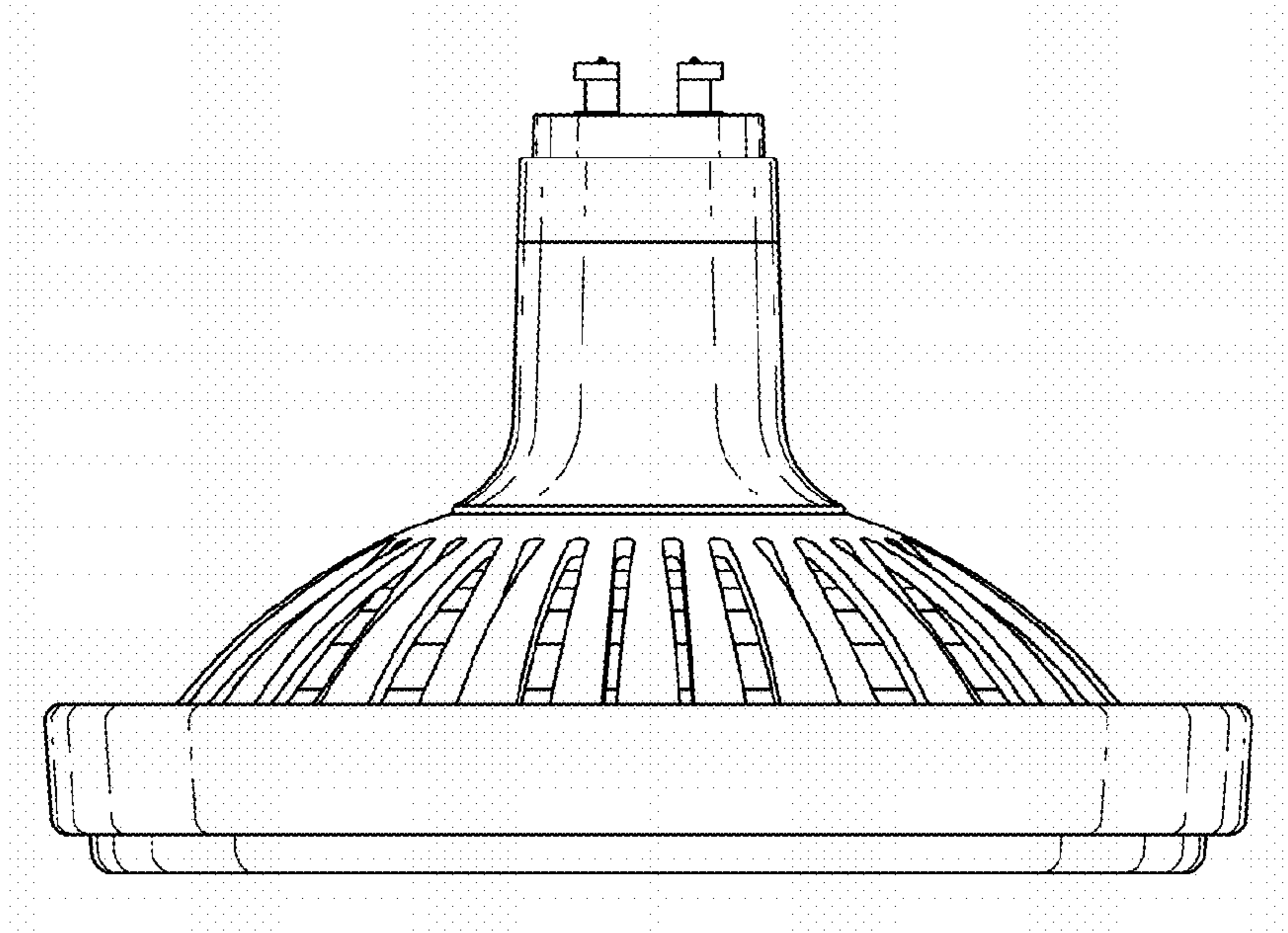


FIG. 4

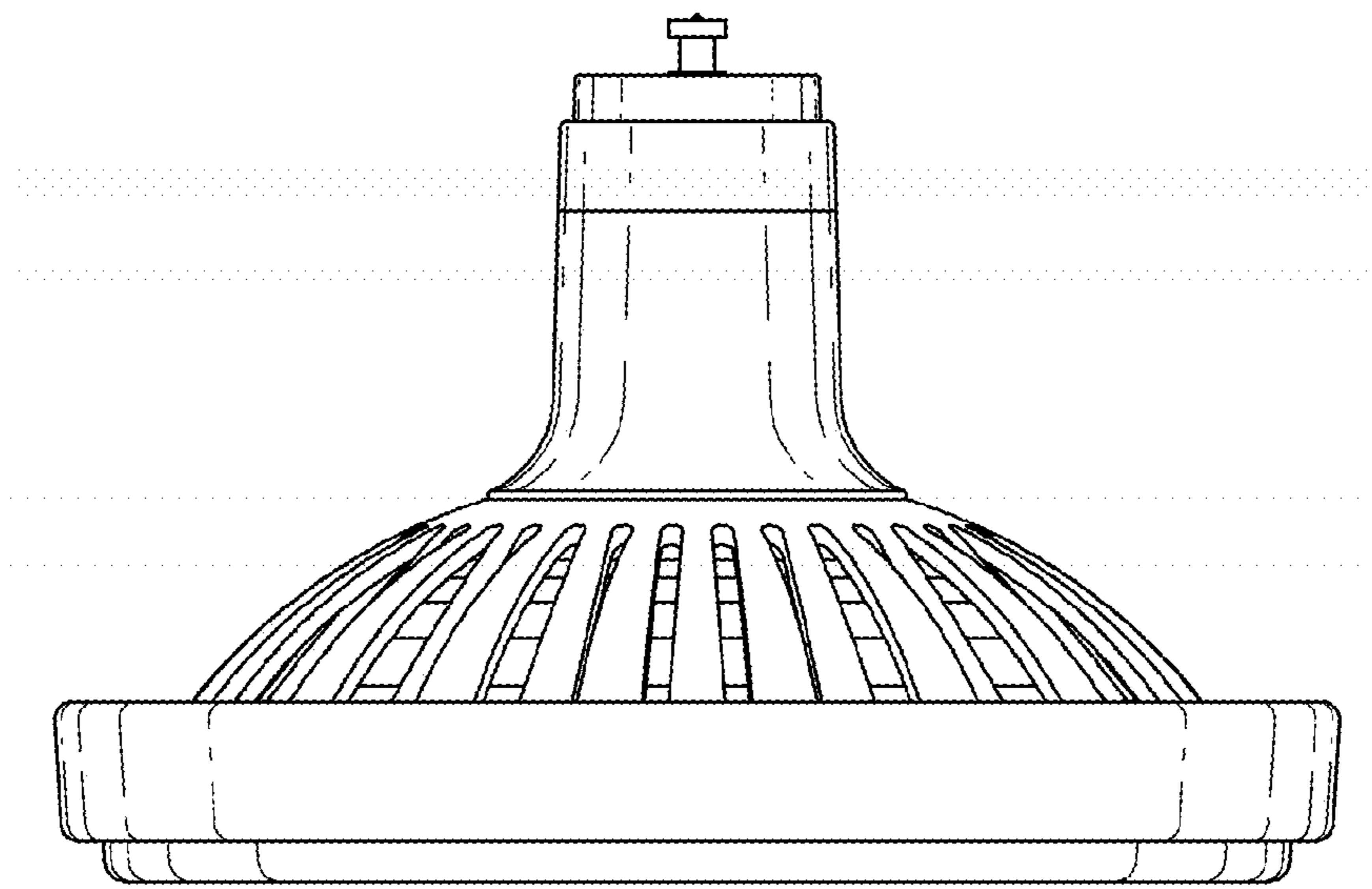


FIG. 5

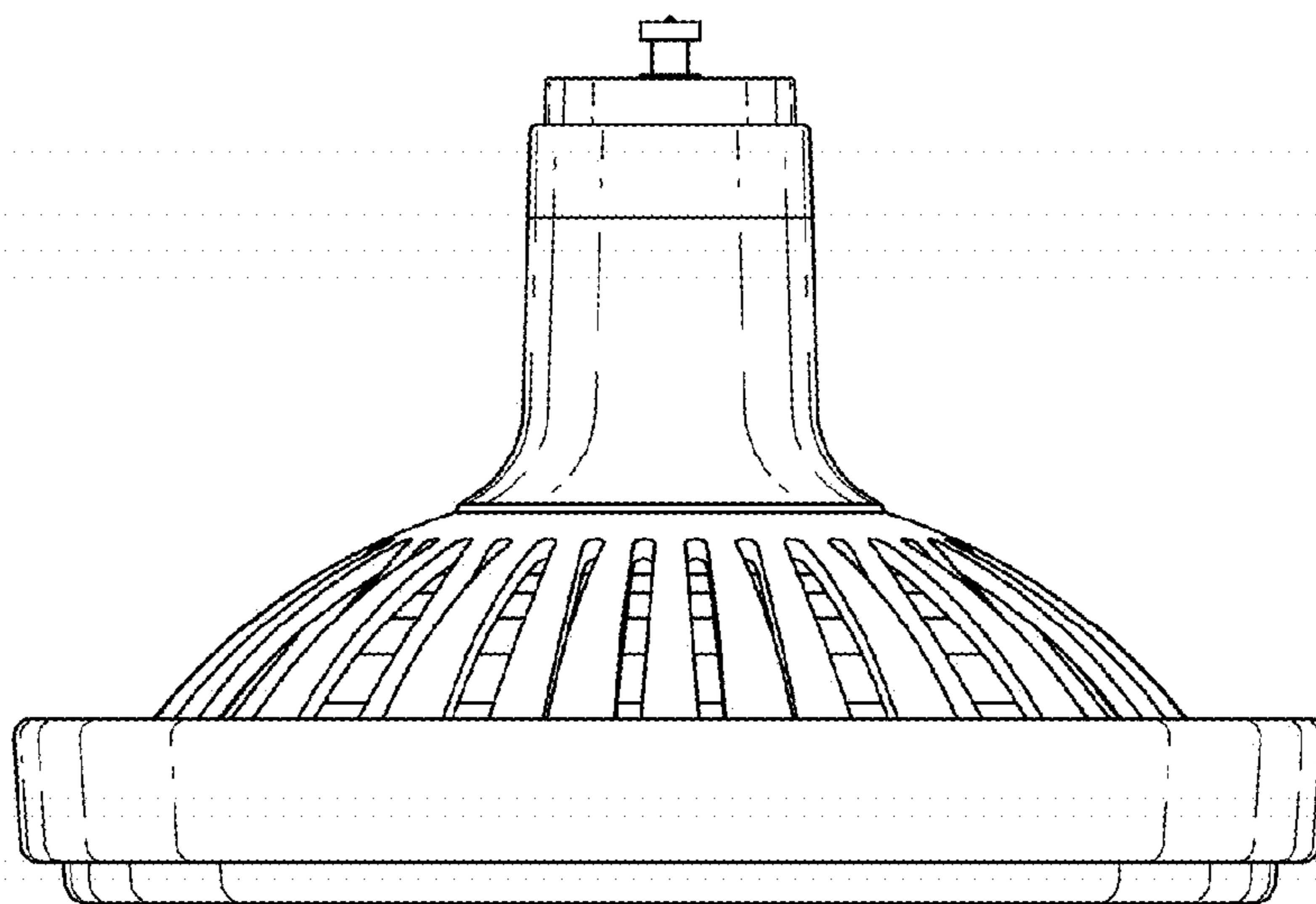


FIG. 6

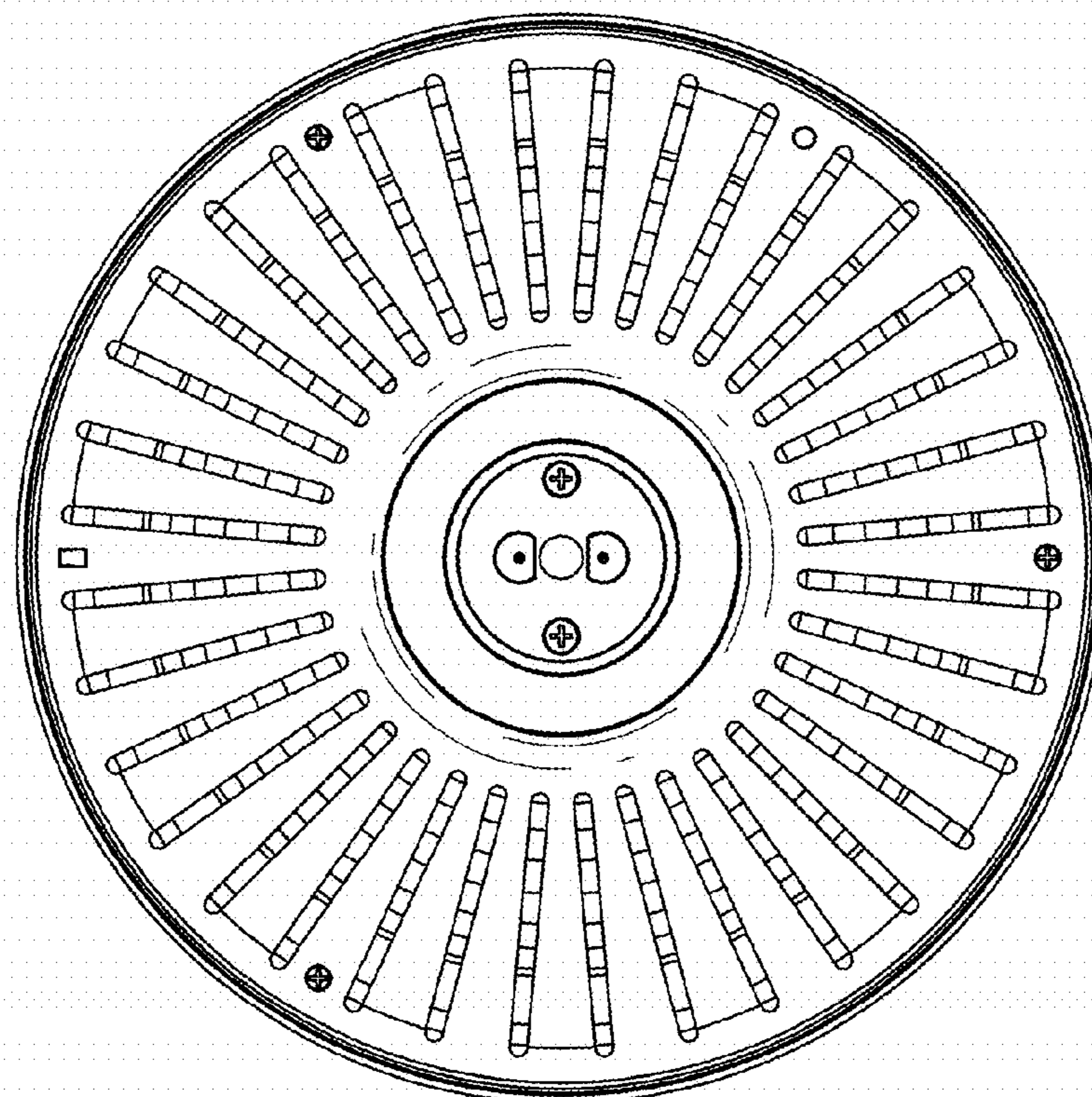


FIG. 7

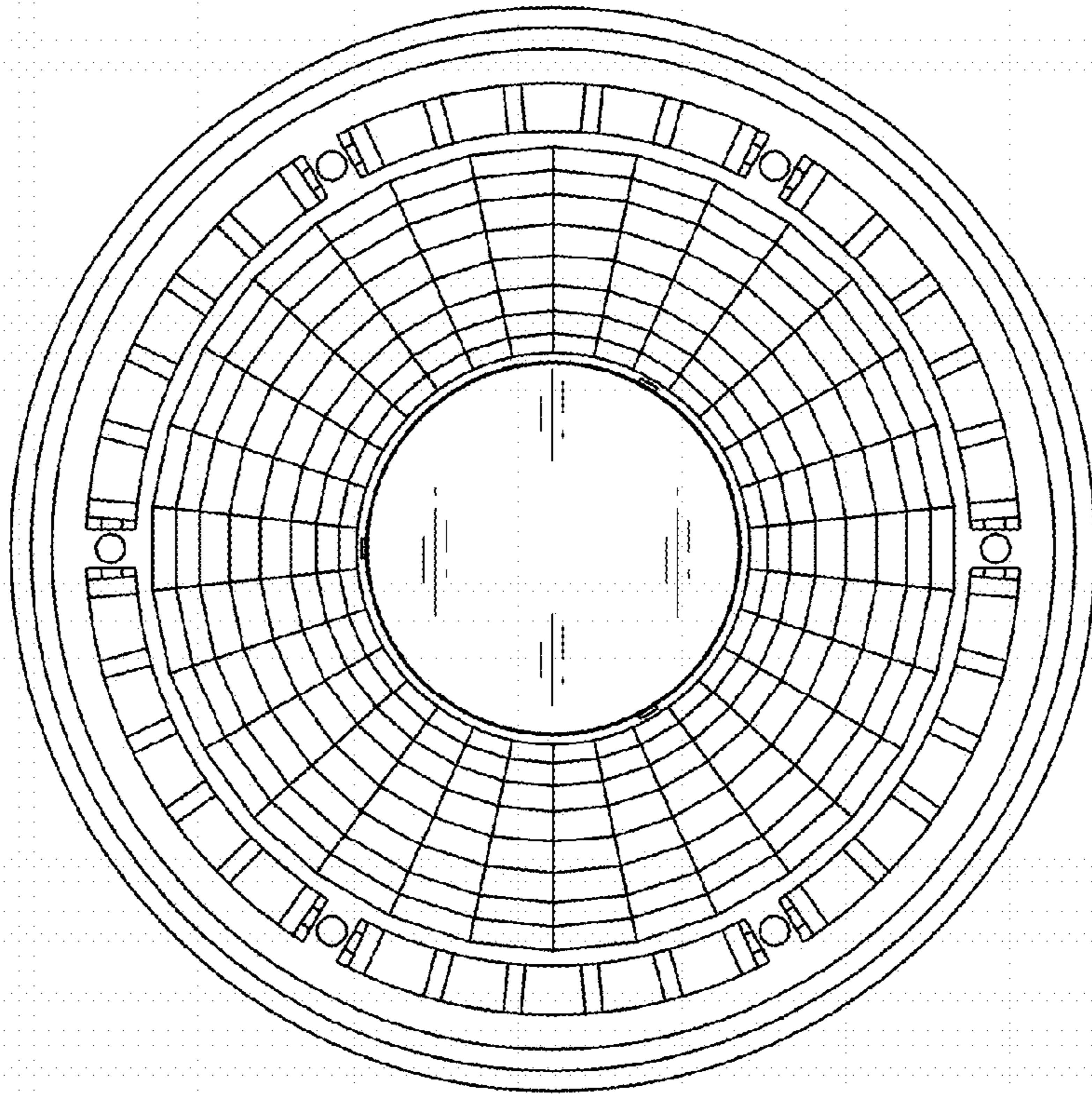


FIG. 8

