



US00D732210S

(12) **United States Design Patent**
Pickard et al.

(10) **Patent No.:** **US D732,210 S**
(45) **Date of Patent:** **** Jun. 16, 2015**

(54) **LAMP**

- (71) Applicant: **Cree, Inc.**, Durham, NC (US)
- (72) Inventors: **Paul Kenneth Pickard**, Morrisville, NC (US); **Bart P. Reier**, Cary, NC (US)
- (73) Assignee: **Cree, Inc.**, Durham, NC (US)
- (**) Term: **14 Years**
- (21) Appl. No.: **29/452,550**
- (22) Filed: **Apr. 18, 2013**
- (51) **LOC (10) Cl.** **26-04**
- (52) **U.S. Cl.**
USPC **D26/2**
- (58) **Field of Classification Search**
USPC D26/1-4; 313/313, 315, 316, 317, 318,
313/493; 315/52, 53, 56, 57, 58
See application file for complete search history.

(56) **References Cited**

U.S. PATENT DOCUMENTS

D494,688 S	*	8/2004	Van de Ven et al.	D26/2
D531,741 S		11/2006	Takahashi		
D538,935 S		3/2007	Eddy et al.		
D538,951 S		3/2007	Maxik et al.		
D538,953 S		3/2007	Mama		
D542,426 S	*	5/2007	Itaya et al.	D26/2
D544,109 S		6/2007	Tsuruha et al.		
D546,980 S		7/2007	Lo		
D549,361 S	*	8/2007	To et al.	D26/2
D600,367 S		9/2009	Bertram et al.		
D613,887 S		4/2010	Lee et al.		
D617,475 S		6/2010	Hiraga et al.		
D617,918 S		6/2010	Yamamoto et al.		
D628,721 S	*	12/2010	Lee	D26/2
D634,031 S	*	3/2011	de Visser et al.	D26/2
D647,641 S		10/2011	Lin et al.		
D648,872 S		11/2011	Kim et al.		
D676,159 S		2/2013	Le et al.		
D698,952 S		2/2014	Lay et al.		

OTHER PUBLICATIONS

Cree, Inc., Korean Application No. 30-2013-0052399, Notice to Submit a Response, Jun. 20, 2014.
 U.S. Appl. No. 13/803,841, filed Mar. 14, 2013.
 U.S. Appl. No. 29/456,413, filed May 31, 2013.
 Cree, Inc., Canadian Application No. 153473, Examiner's Report, Apr. 8, 2014.

(Continued)

Primary Examiner — Marcus Jackson

(74) *Attorney, Agent, or Firm* — Dennis J. Williamson; Moore & Van Allen PLLC

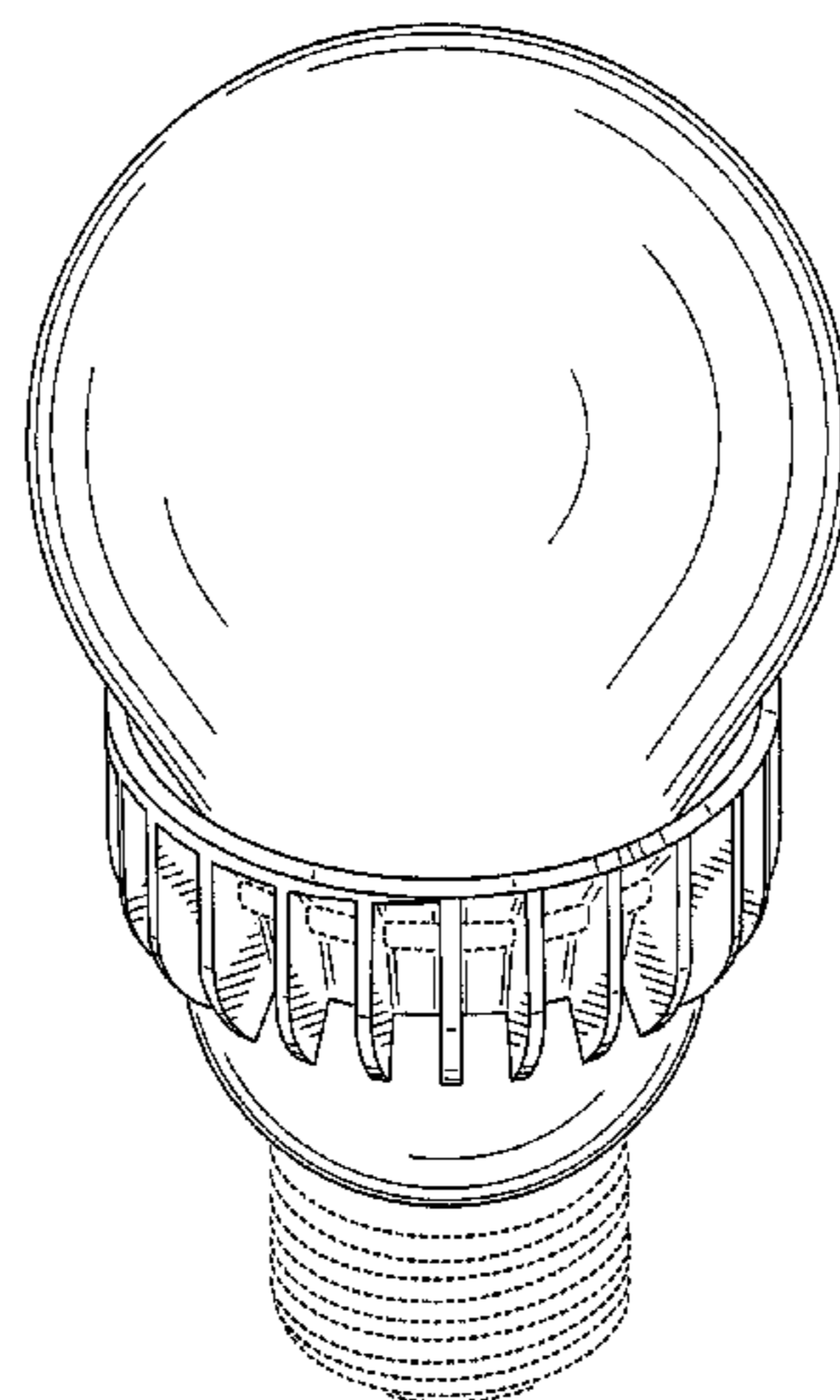
(57) **CLAIM**

We claim the ornamental design for a lamp, as shown and described.

DESCRIPTION

FIG. 1 is a front view showing an embodiment of our new design for a lamp;
 FIG. 2 is a right side view showing our new design shown in FIG. 1;
 FIG. 3 is a left side view showing our new design shown in FIG. 1;
 FIG. 4 is a back view showing our new design shown in FIG. 1;
 FIG. 5 is a top view showing our new design shown in FIG. 1;
 FIG. 6 is a bottom view showing our new design shown in FIG. 1;
 FIG. 7 is a top perspective view showing our new design shown in FIG. 1; and,
 FIG. 8 is a bottom perspective view showing our new design shown in FIG. 1.
 The portions shown in broken lines are not part of the claimed design but show the environment in which the design is associated.

1 Claim, 8 Drawing Sheets



(56)

References Cited

OTHER PUBLICATIONS

U.S. Appl. No. 29/434,289, filed Oct. 11, 2012.
Cree, Inc., Korean Application No. 30-2013-0018954, Office Action,
Feb. 21, 2014.
Energy Star® Program Requirements for Integral LED Lamps, Mar.
22, 2010, pp. 1-30.

Lighting Science, Introduction to LSGC, Satellite Beach, Florida,
Dec. 11, 2012.

U.S. Appl. No. 29/435,253, filed Oct. 22, 2012.

U.S. Appl. No. 29/435,254, filed Oct. 22, 2012.

U.S. Appl. No. 29/452,552, filed Apr. 18, 2013.

* cited by examiner

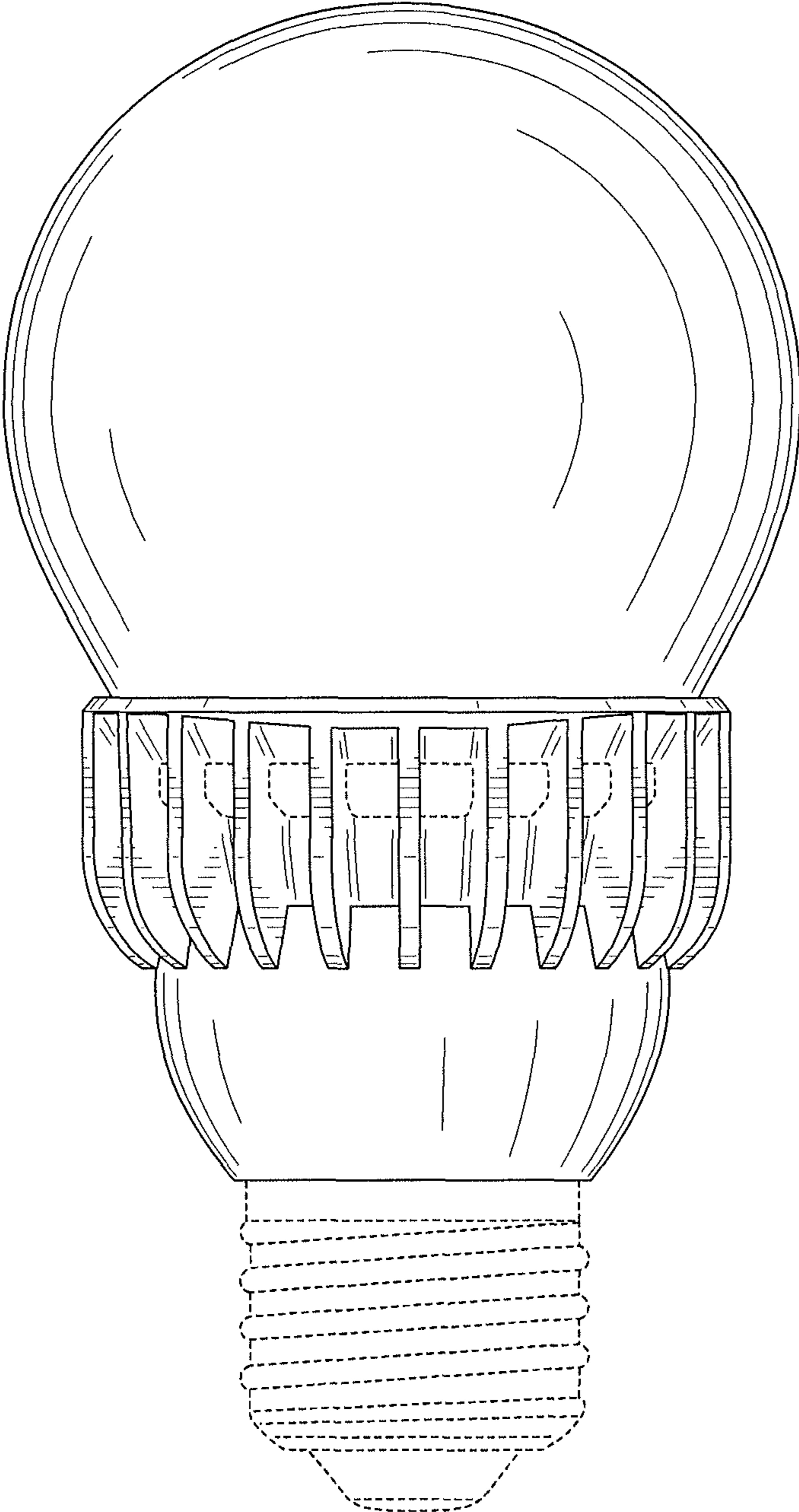


FIG. 1

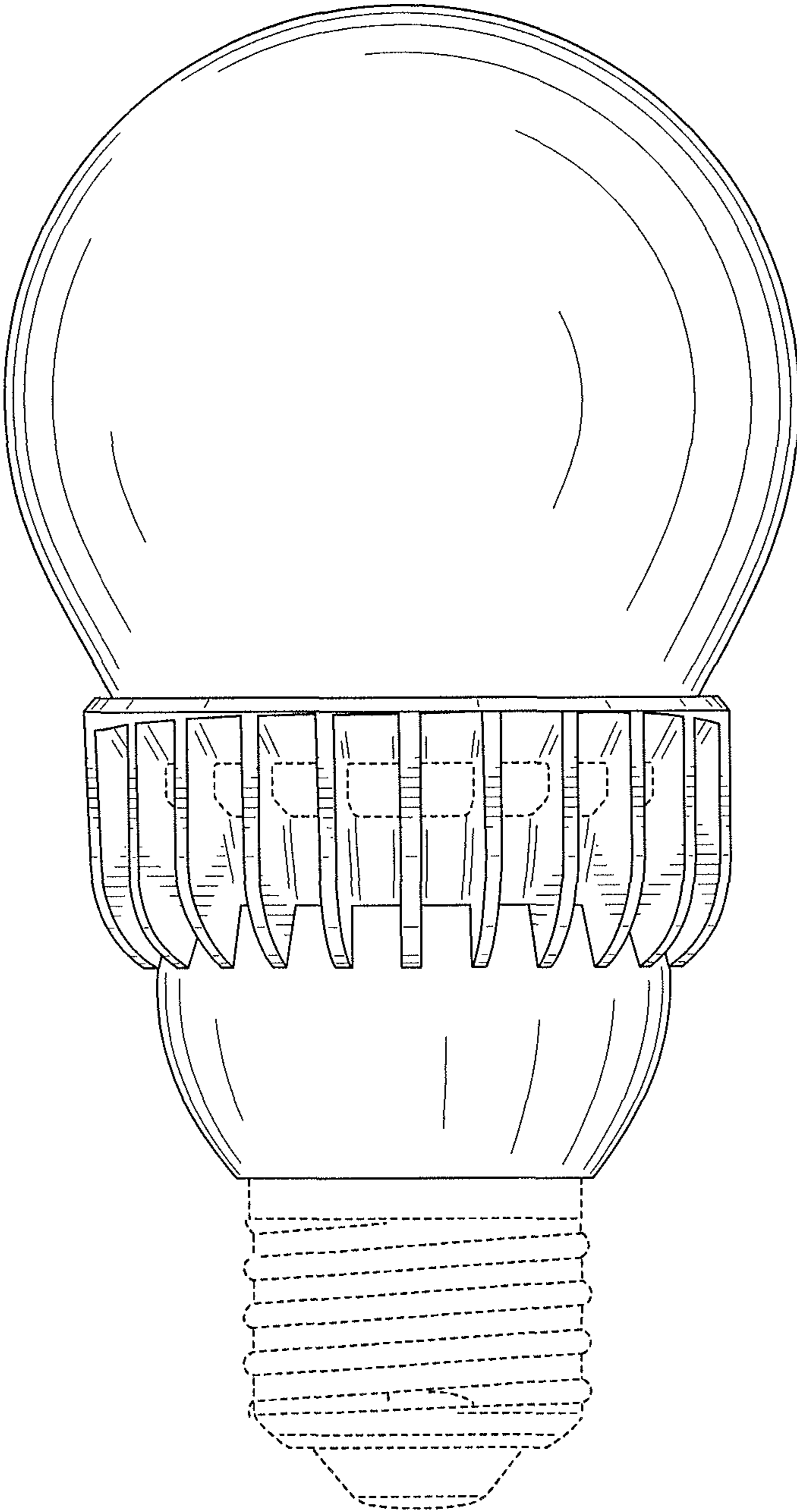


FIG. 2

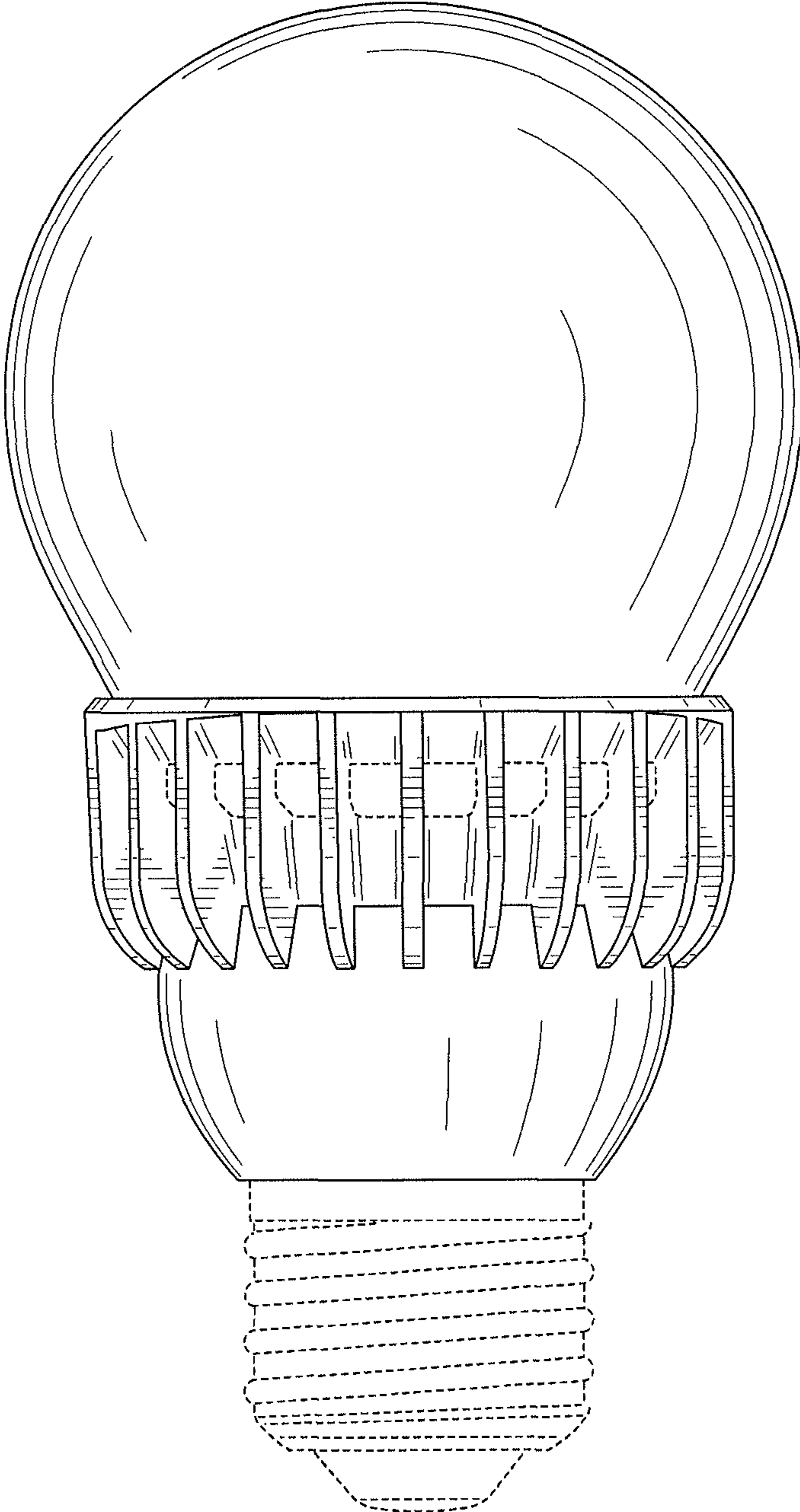


FIG. 3

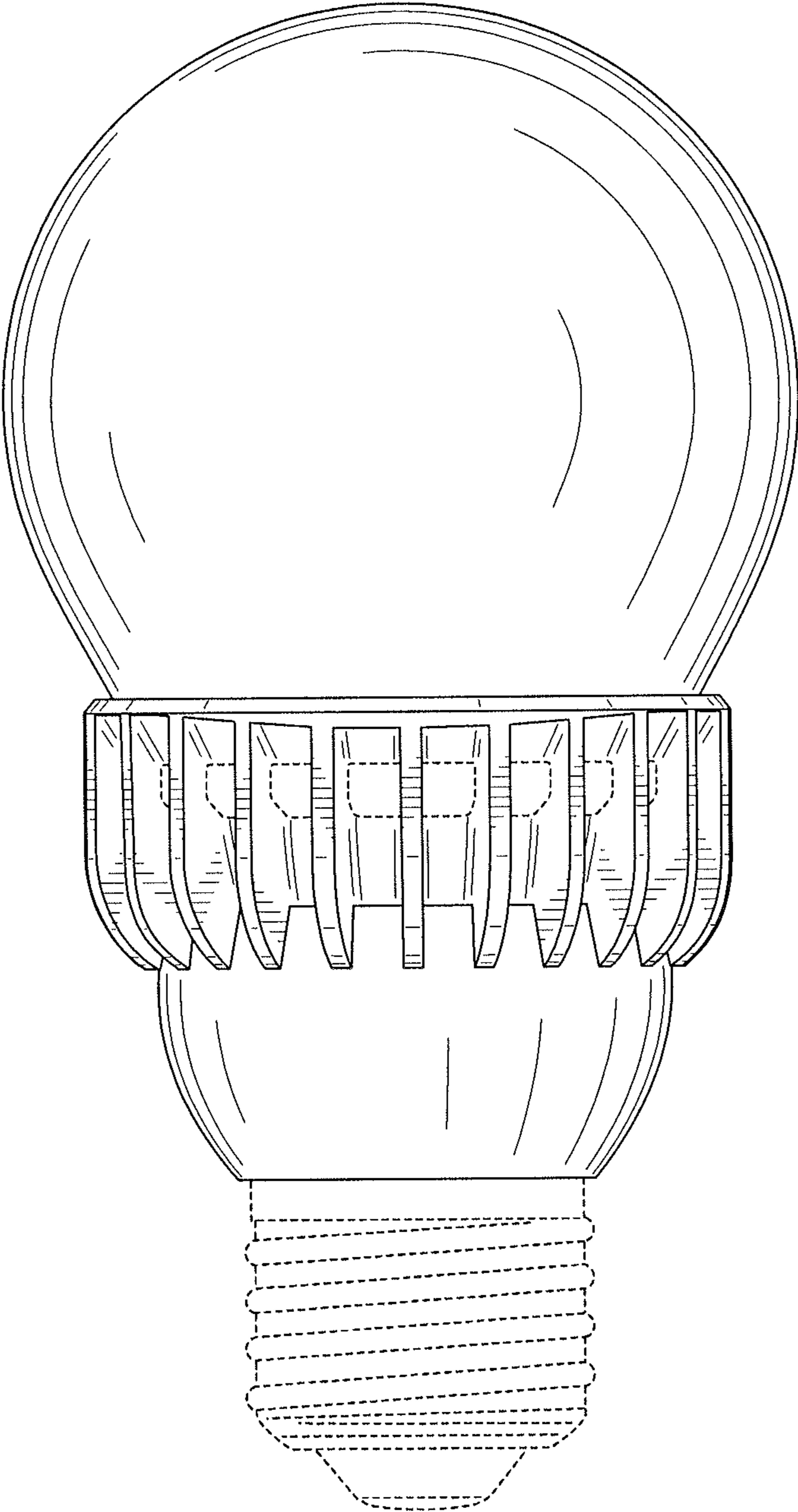


FIG. 4

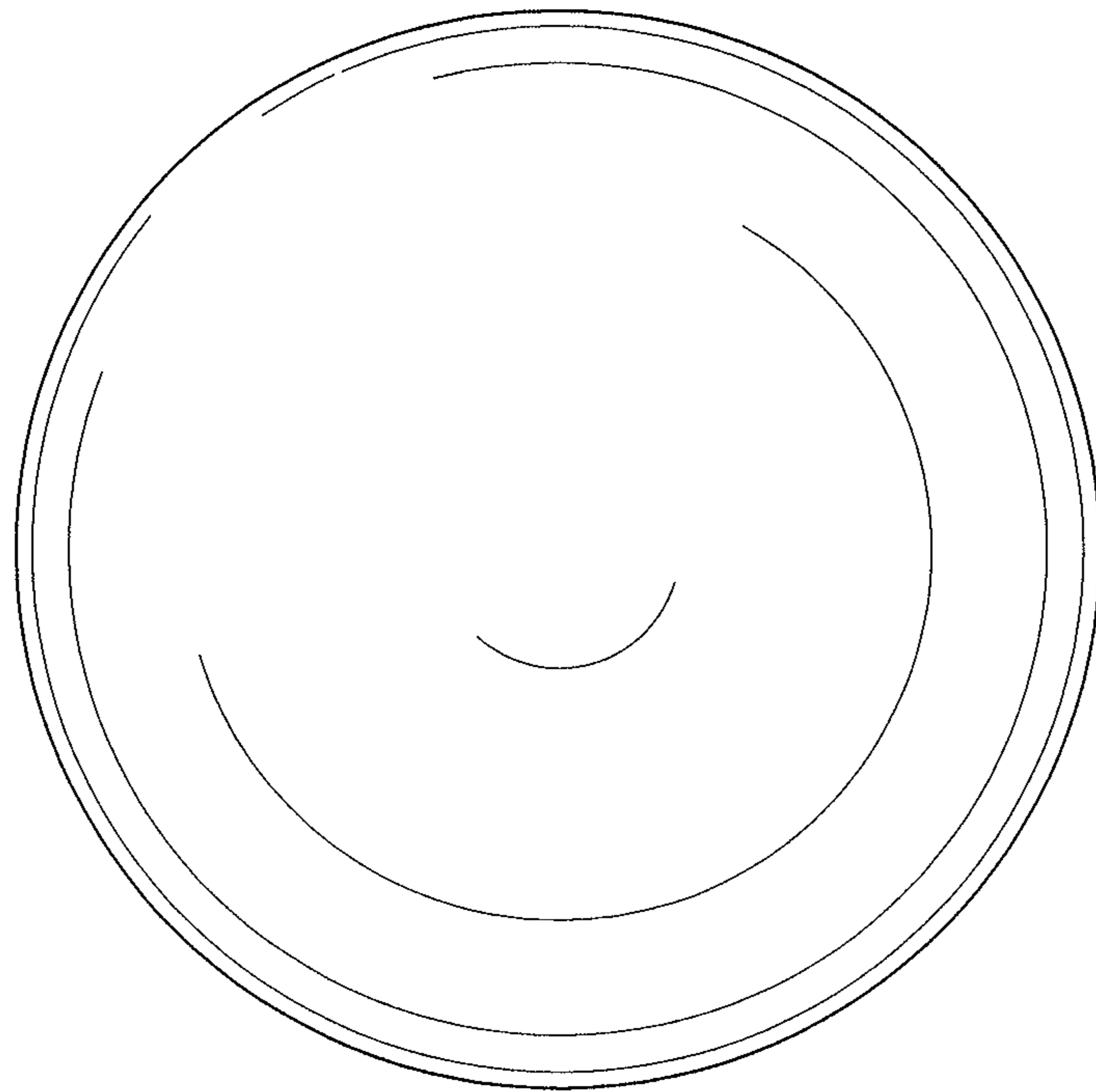


FIG. 5

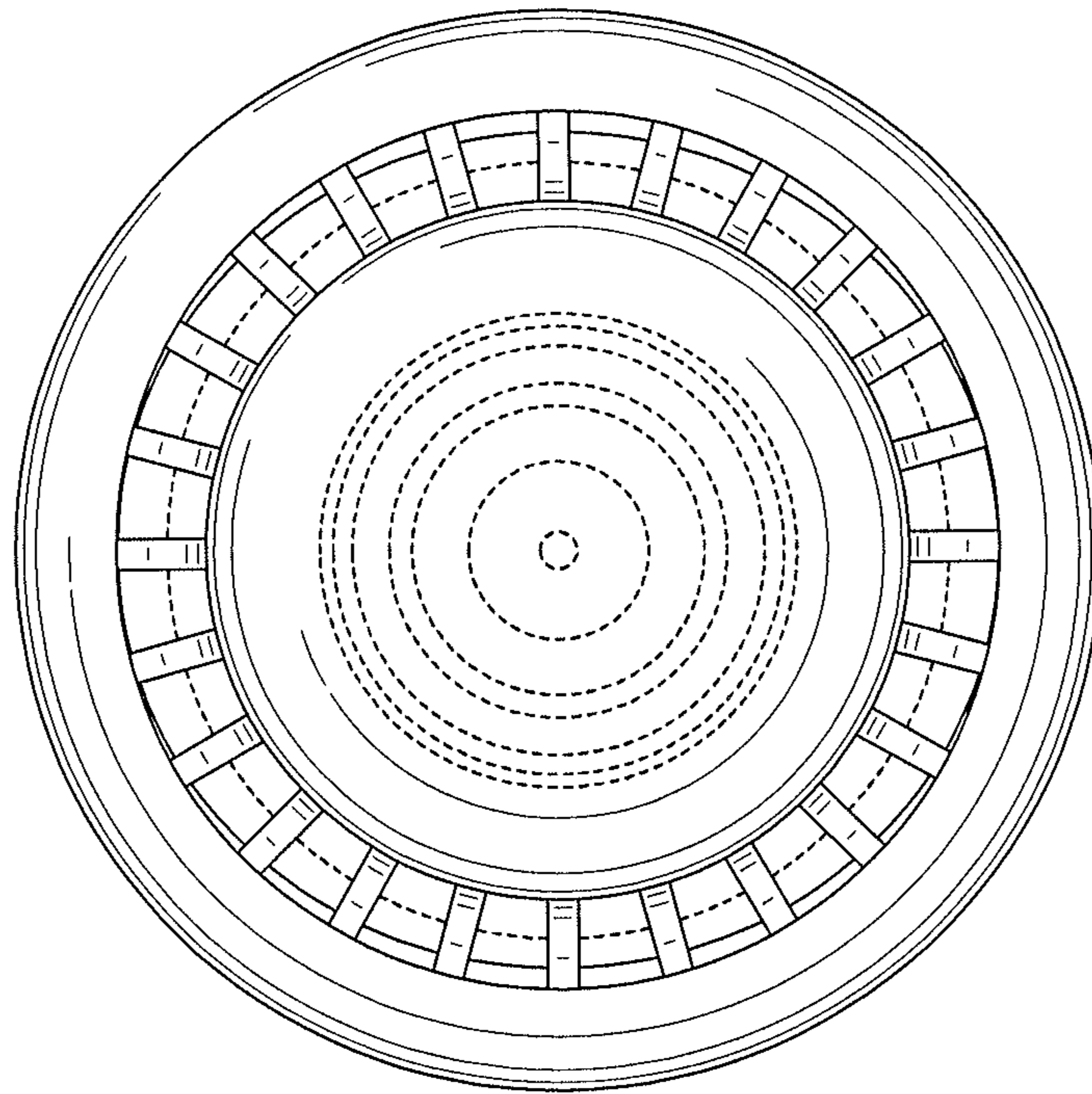


FIG. 6

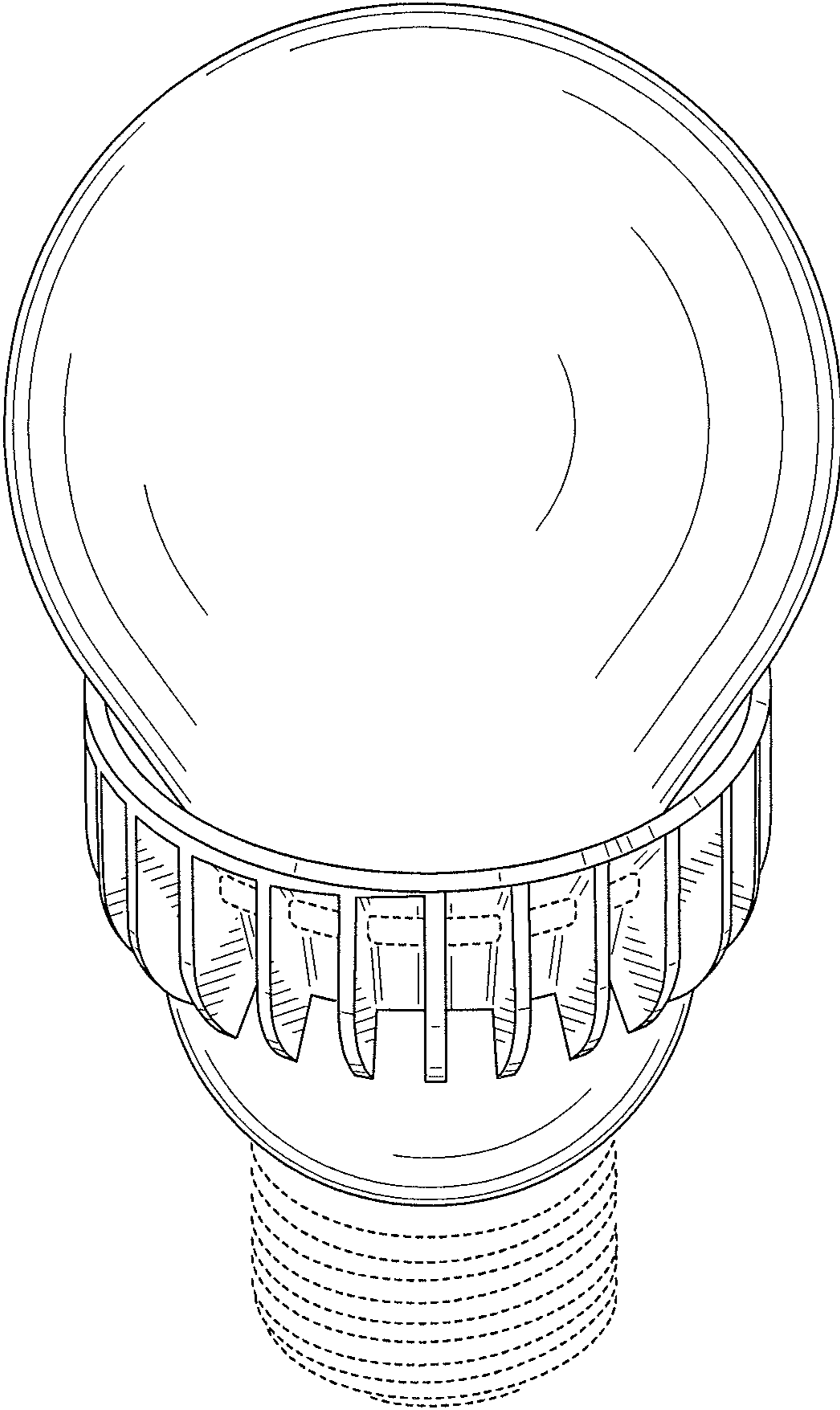


FIG. 7

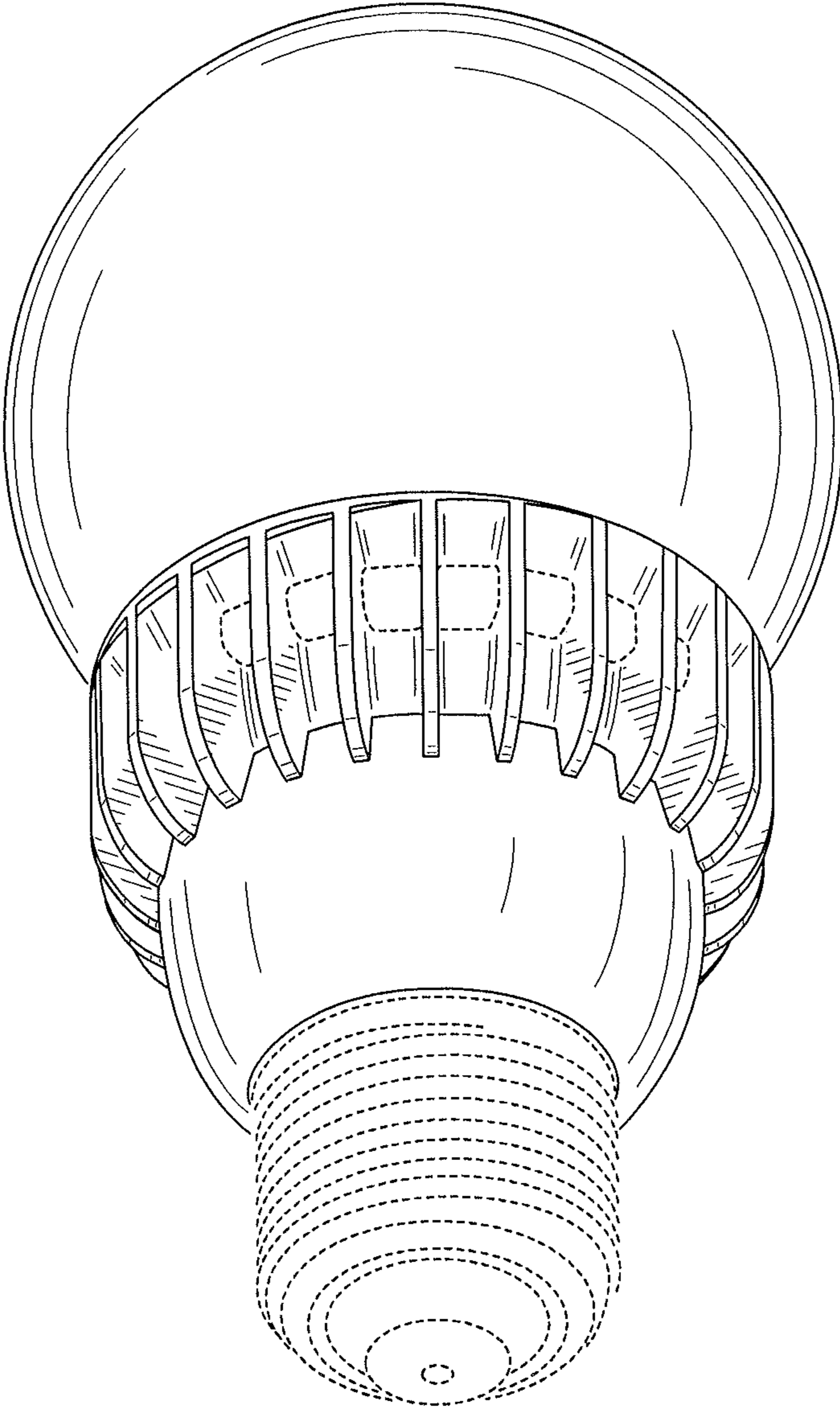


FIG. 8