

US00D732209S

(12) **United States Design Patent**  
**Howard et al.**

(10) **Patent No.:** **US D732,209 S**  
(45) **Date of Patent:** **\*\* Jun. 16, 2015**

- (54) **LED LIGHT BULB**
- (71) Applicant: **Mary Elle Fashions, Inc.**, Maryland Heights, MO (US)
- (72) Inventors: **Kenneth A. Howard**, Creve Coeur, MO (US); **James J. Riley**, St. Louis, MO (US); **Matthew S. Smith**, St. Charles, MO (US); **Gavin Perry**, St. Louis, MO (US)
- (73) Assignee: **Mary Elle Fashions, Inc.**, Maryland Heights, MO (US)

D471,293 S	3/2003	Bobel	
D471,996 S	3/2003	Kuen	
D481,140 S	10/2003	Chang	
D487,596 S	3/2004	Callahan	
D501,262 S	1/2005	Kling et al.	
D504,732 S	5/2005	Yang	
D537,174 S	2/2007	Osawa et al.	
D543,288 S	5/2007	Bembridge	D26/2
D544,109 S	6/2007	Tsuruha et al.	D26/2
D558,904 S	1/2008	Tsuruha et al.	D26/2
D579,130 S	10/2008	Hernandez et al.	D26/2
D600,368 S	9/2009	Bertram et al.	D26/2
D610,272 S	2/2010	Guo et al.	D26/2
D653,364 S	1/2012	Howard et al.	

\* cited by examiner

(\*\*) Term: **14 Years**

*Primary Examiner* — Marcus Jackson

(21) Appl. No.: **29/449,473**

(74) *Attorney, Agent, or Firm* — Senniger Powers LLP

(22) Filed: **Mar. 15, 2013**

(51) **LOC (10) Cl.** ..... **26-04**

(52) **U.S. Cl.**  
USPC ..... **D26/2**

(58) **Field of Classification Search**  
USPC ..... D26/1-4; 313/313, 315, 316, 317, 318,  
313/493; 315/52, 53, 56, 57, 58  
See application file for complete search history.

(56) **References Cited**

U.S. PATENT DOCUMENTS

D425,217 S	5/2000	Oetken et al.
D437,645 S	2/2001	Sung et al.
D456,913 S	5/2002	Liu
D459,496 S	6/2002	Lin
D469,548 S	1/2003	Bobel

(57) **CLAIM**

The ornamental design for an LED light bulb, as shown and described.

**DESCRIPTION**

FIG. 1 is a perspective of a first embodiment of the LED light bulb;  
 FIG. 2 is a rear elevation thereof;  
 FIG. 3 is an elevation showing the left side thereof;  
 FIG. 4 is an elevation showing the right side thereof;  
 FIG. 5 is a front elevation thereof;  
 FIG. 6 is a top plan thereof; and,  
 FIG. 7 is a bottom plan thereof.  
 The broken lines shown in the drawings indicate structure and features which form no part of the claimed design.

**1 Claim, 7 Drawing Sheets**

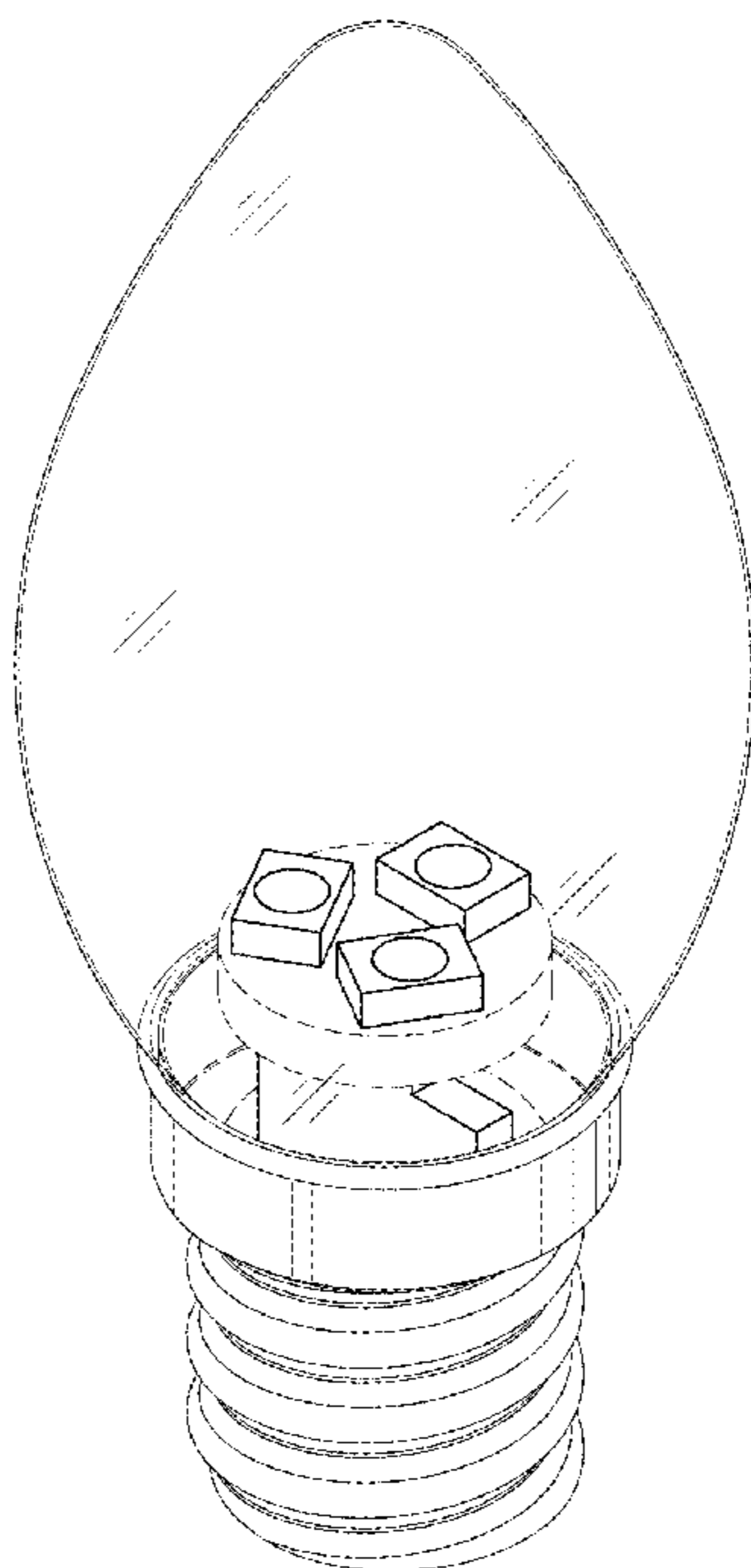


FIG. 1

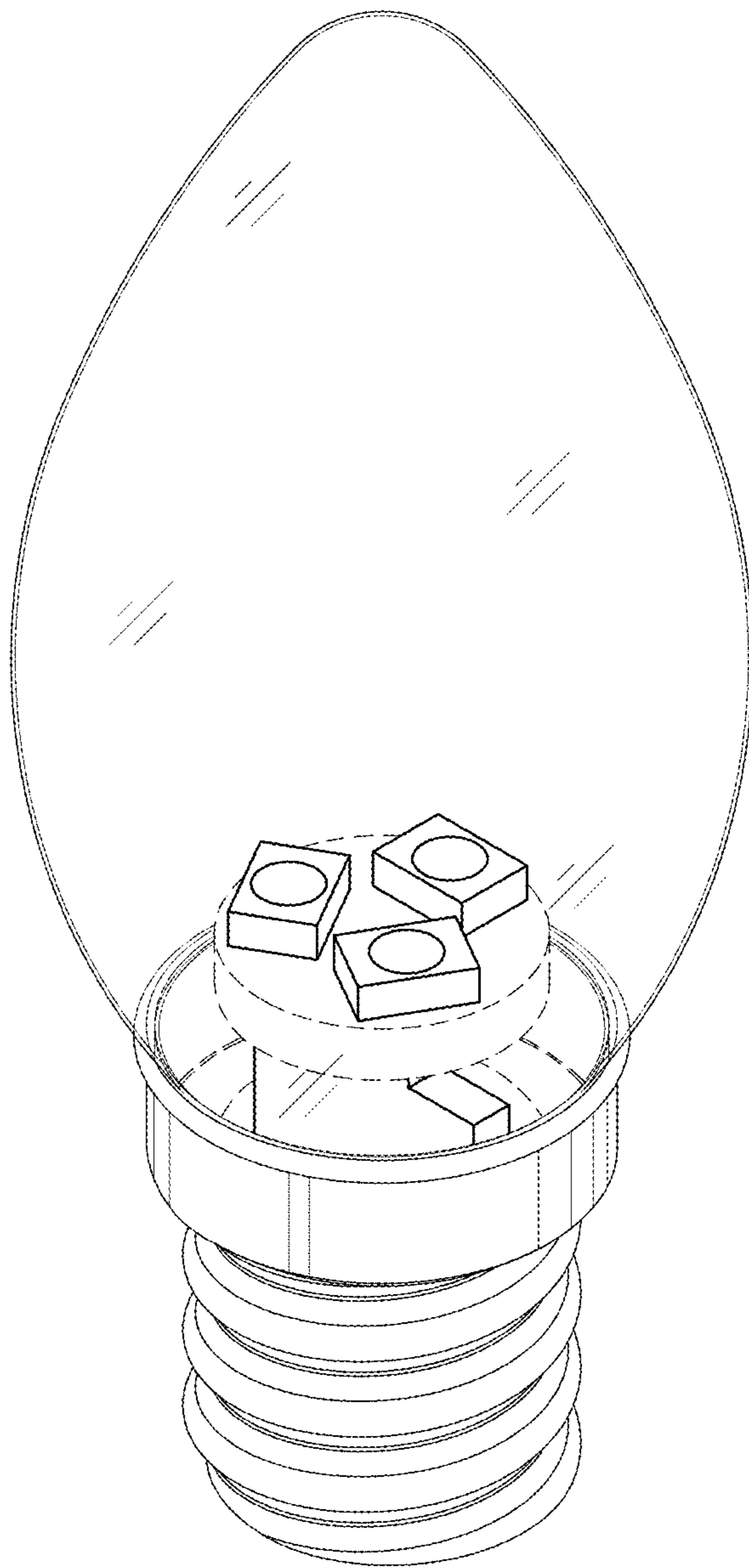


FIG. 2

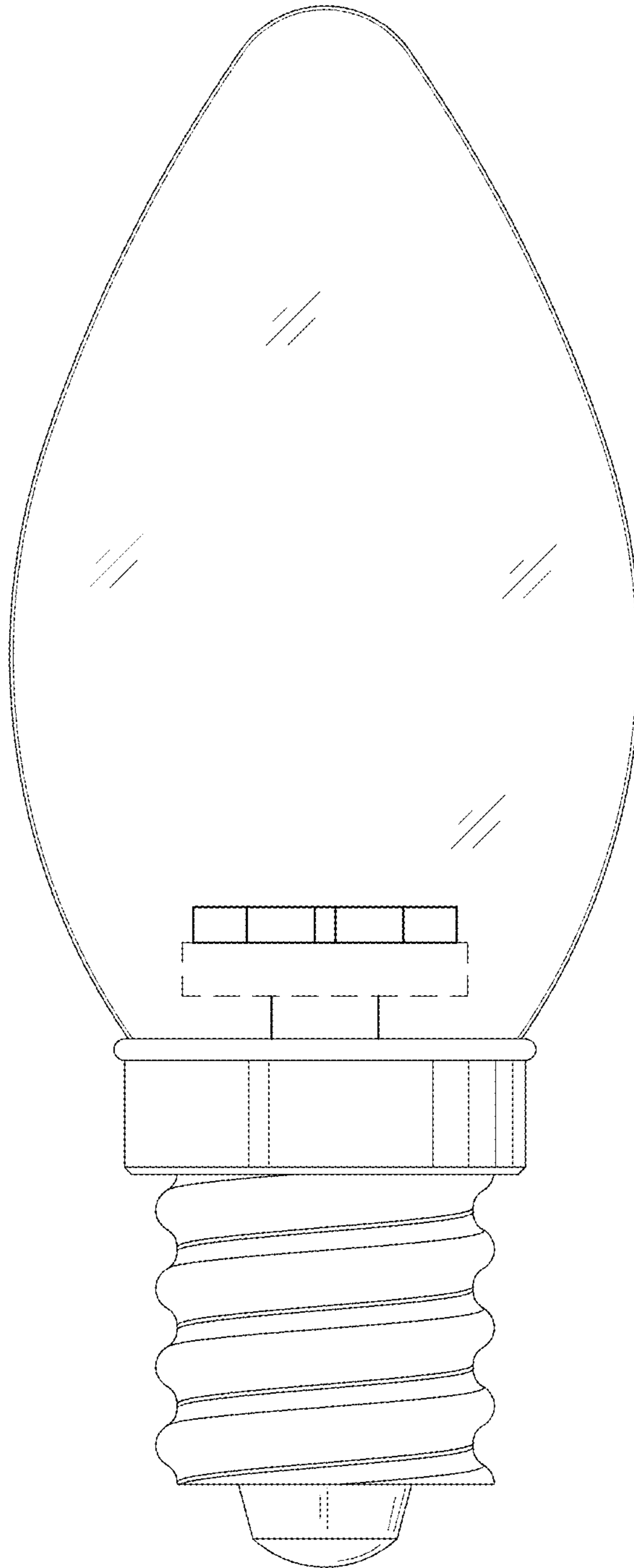


FIG. 3

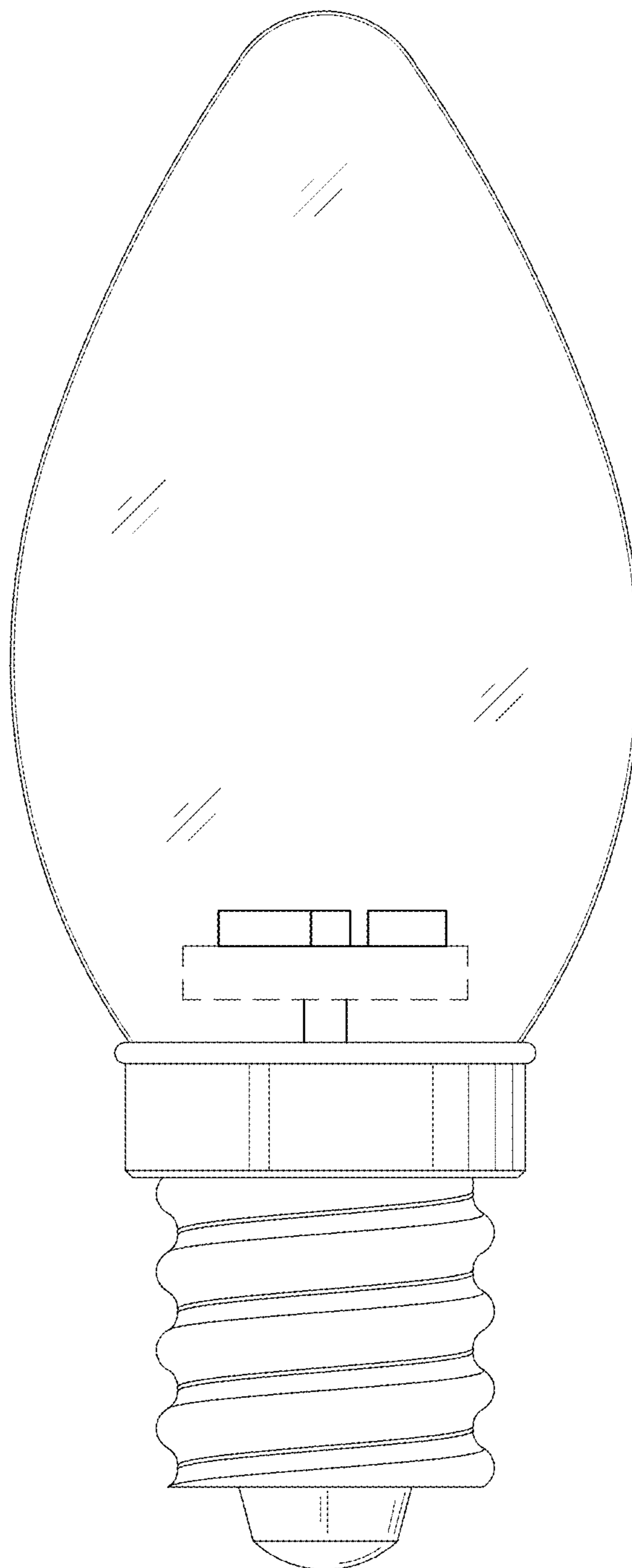


FIG. 4

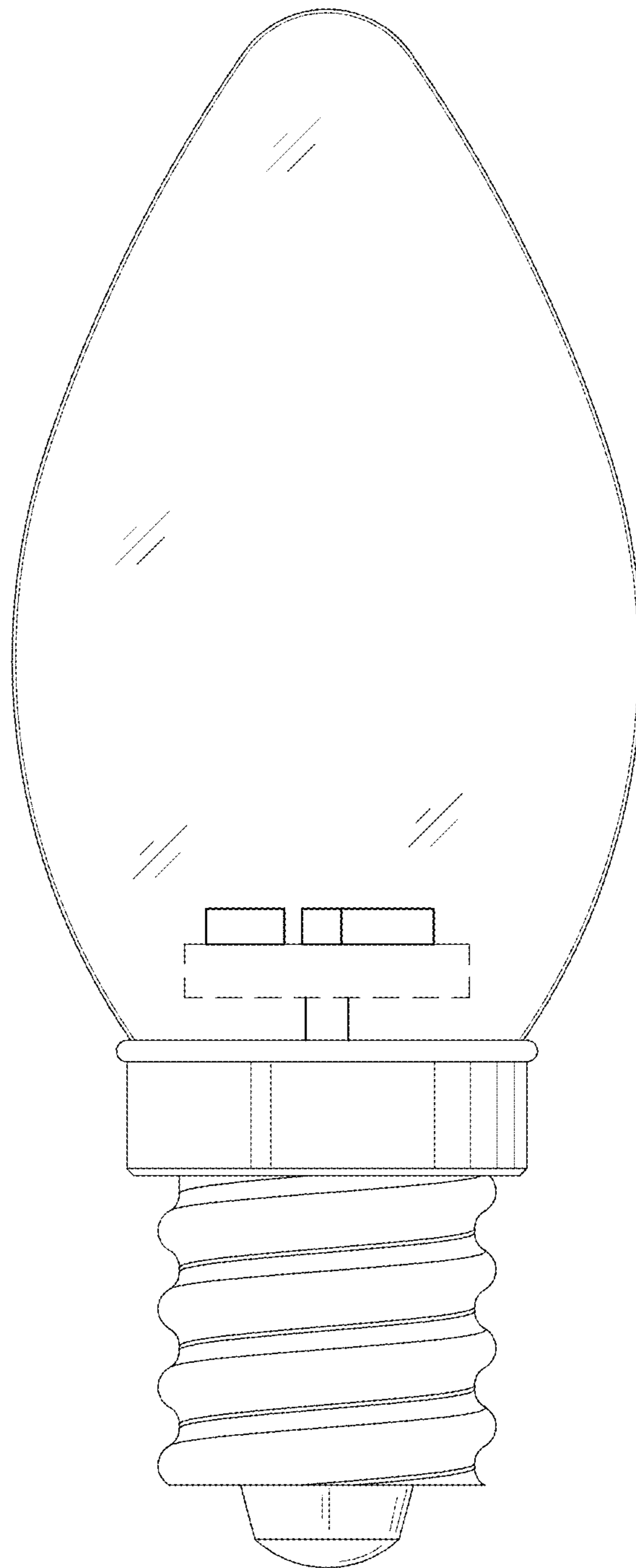


FIG. 5

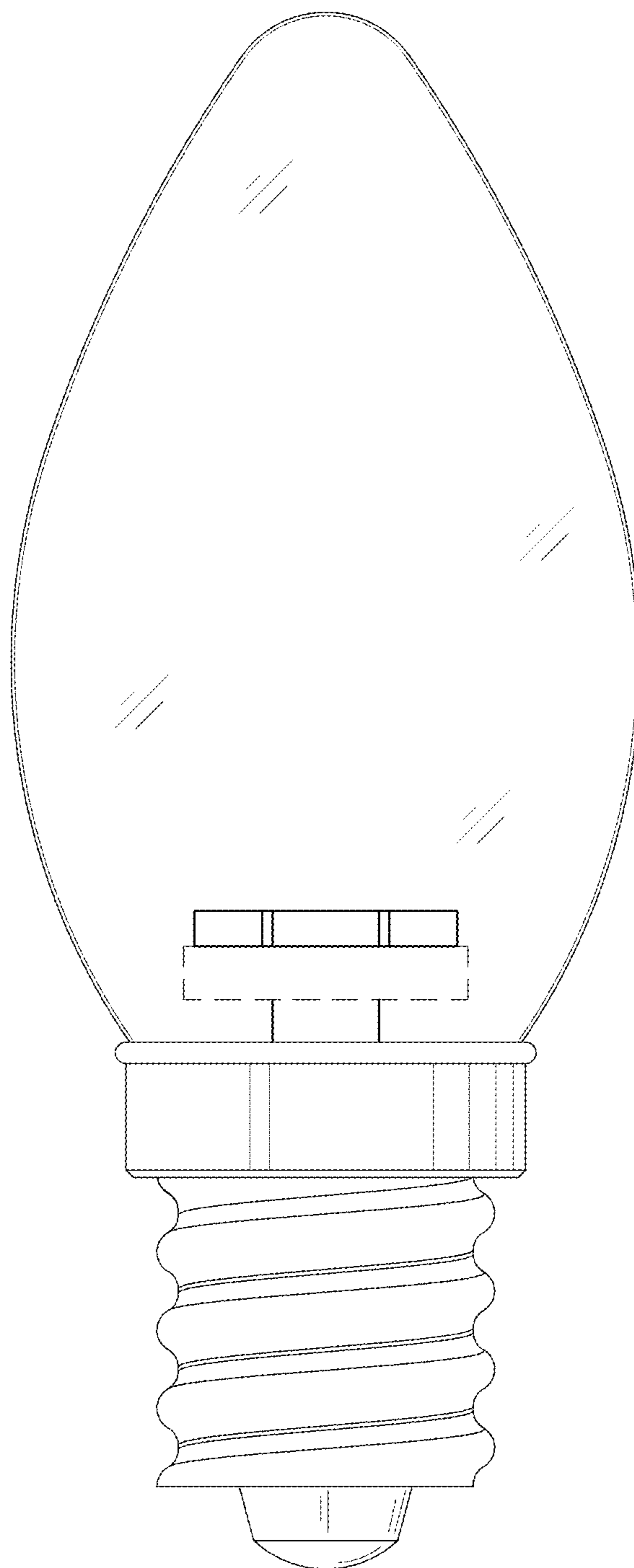


FIG. 6

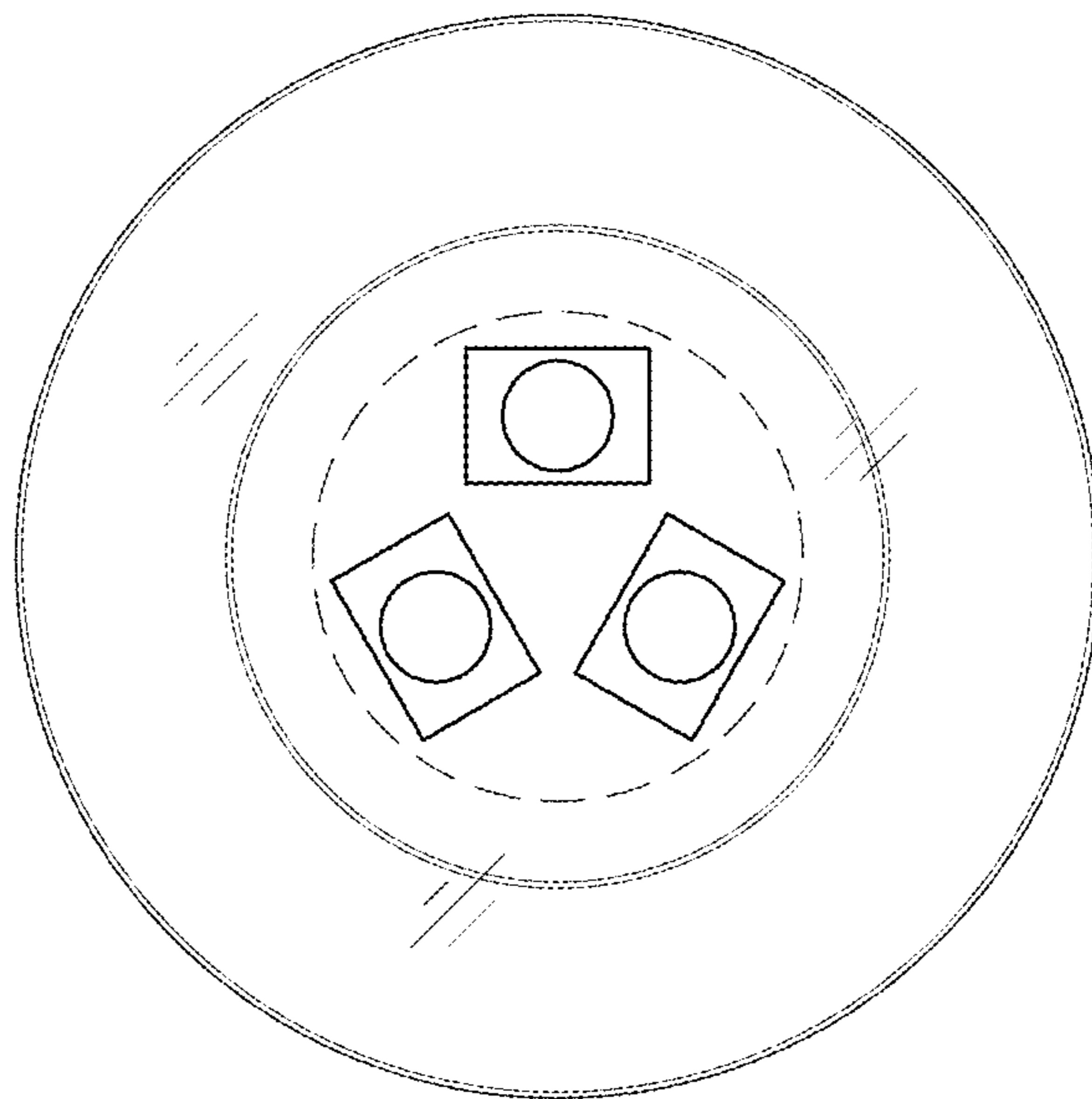


FIG. 7

