



US00D732202S

(12) **United States Design Patent**
Chaney et al.

(10) **Patent No.:** **US D732,202 S**
(45) **Date of Patent:** **** Jun. 16, 2015**

(54) **WINDOW COMPONENT EXTRUSION**

(56) **References Cited**

(71) Applicant: **Deceuninck North America, LLC**,
Monroe, OH (US)

U.S. PATENT DOCUMENTS

(72) Inventors: **Michael T. Chaney**, Middletown, OH
(US); **Jonathan C. Hauberg**,
Centerville, OH (US); **Philip G.**
Morton, Germantown, OH (US)

D339,644	S	*	9/1993	Cole	D25/124
D343,012	S	*	1/1994	Cole	D25/124
D343,464	S	*	1/1994	Cole	D25/124
D381,089	S	*	7/1997	Oliver	D25/124
8,302,354	B2	*	11/2012	Quesada	52/215
2004/0025454	A1	*	2/2004	Burgess	52/204.1
2004/0211132	A1	*	10/2004	Petta et al.	52/204.1
2005/0160689	A1	*	7/2005	Song	52/204.1

(73) Assignee: **Deceuninck North America, LLC**,
Monroe, OH (US)

* cited by examiner

(**) Term: **14 Years**

Primary Examiner — Doris Clark

(21) Appl. No.: **29/481,566**

(74) *Attorney, Agent, or Firm* — Jacox, Meckstroth &
Jenkins

(22) Filed: **Feb. 7, 2014**

(57) **CLAIM**

(51) **LOC (10) Cl.** **25-01**

The ornamental design of a window component extrusion, as
shown and described.

(52) **U.S. Cl.**

DESCRIPTION

USPC **D25/124**

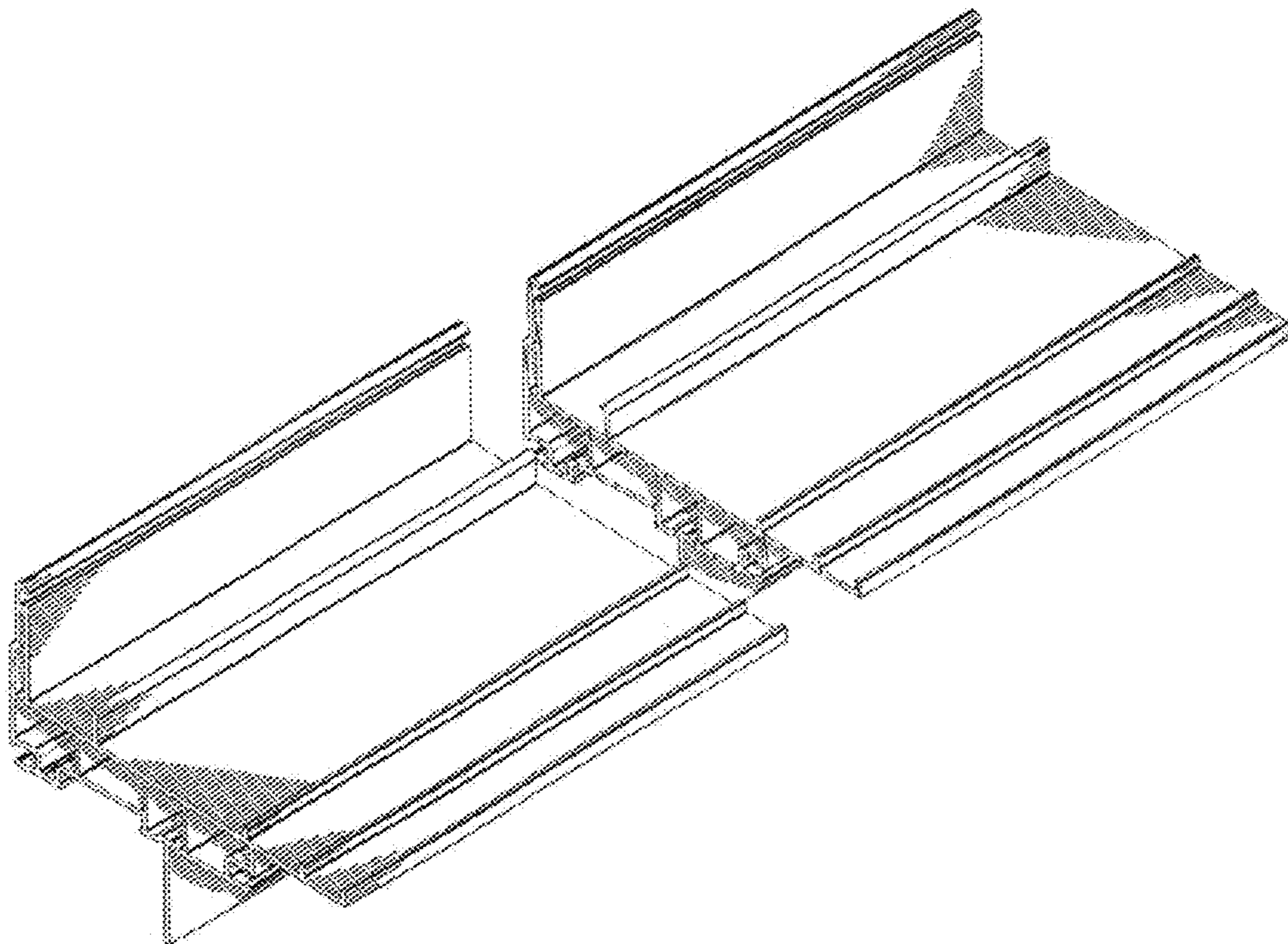
(58) **Field of Classification Search**

USPC D25/124; 52/204.1, 204.2, 204.5,
52/204.51, 656.5, 656.6, 213, 215, 208,
52/656.2, 656.7, 800.13, 717.01;
49/DIG. 2, 504

FIG. 1 is a perspective view of a window component extru-
sion, showing our new design, with a middle portion broken
away to disclose indefinite length; and,
FIG. 2 is an end view.

See application file for complete search history.

1 Claim, 1 Drawing Sheet



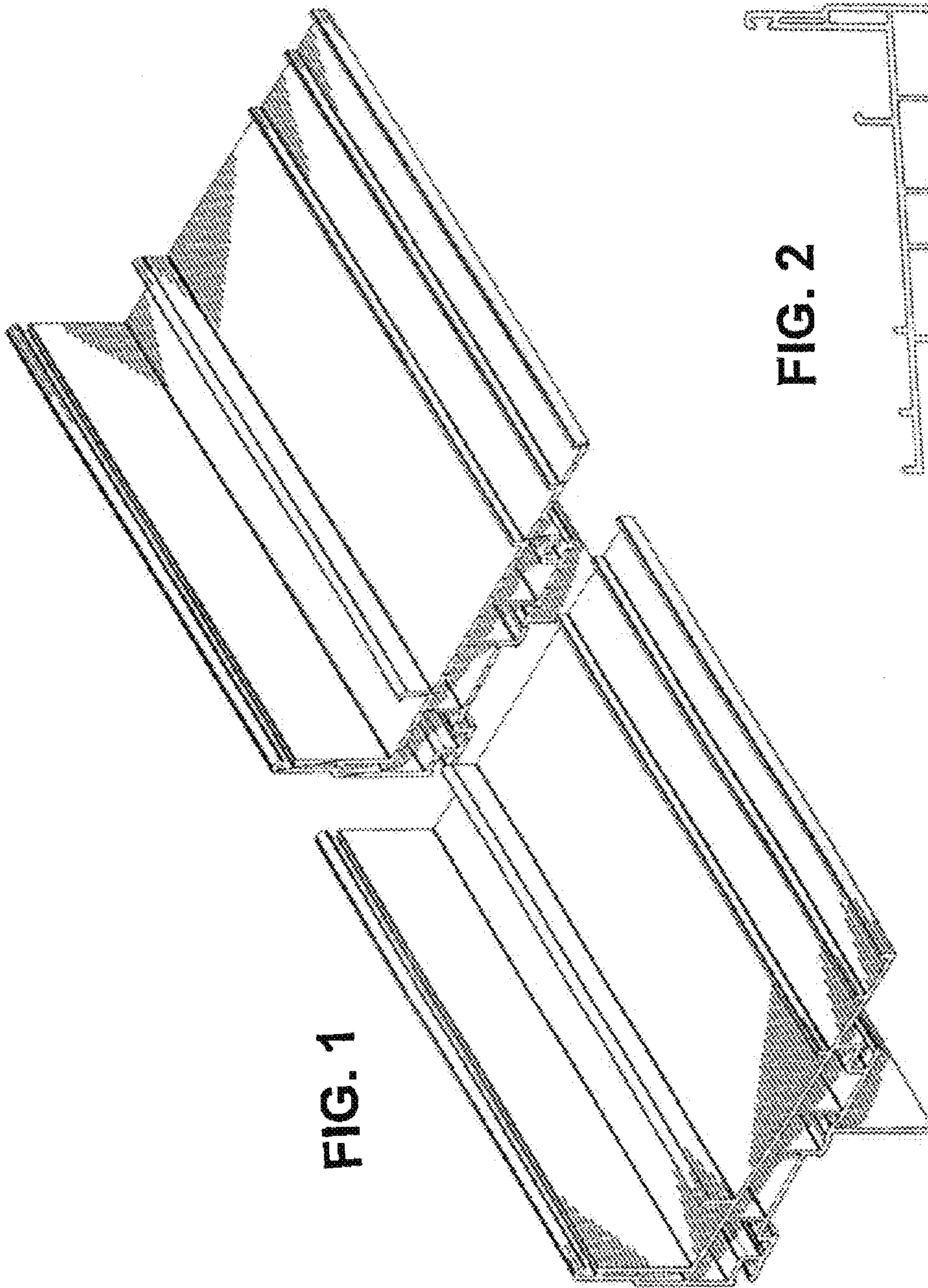


FIG. 1

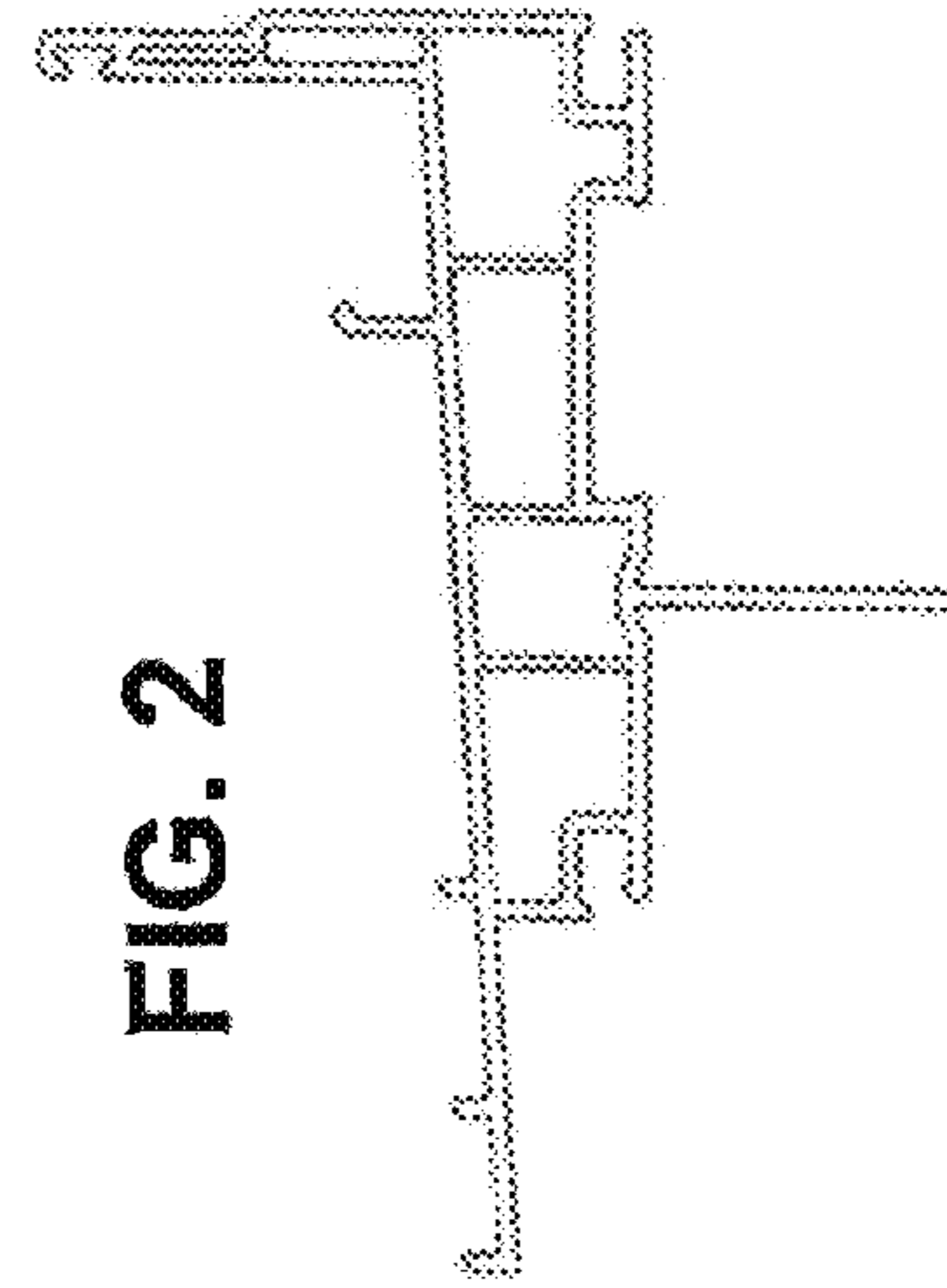


FIG. 2