

US00D732186S

(12) **United States Design Patent**
Burroughs et al.

(10) **Patent No.:** **US D732,186 S**
(45) **Date of Patent:** **** Jun. 16, 2015**

(54) **CARTRIDGE**

(71) Applicant: **Seahorse Bioscience**, Billerica, MA
(US)

(72) Inventors: **Sarah Burroughs**, Waltham, MA (US);
Jason Dell’Arciprete, Billerica, MA
(US); **Suzanne Armitstead**, Bedford,
NH (US); **Paul McGarr**, Longmeadow,
MA (US); **Jay S. Teich**, Berlin, MA
(US)

(73) Assignee: **Seahorse Bioscience**, Billerica, MA
(US)

(**) Term: **14 Years**

(21) Appl. No.: **29/492,684**

(22) Filed: **Jun. 2, 2014**

(51) **LOC (10) Cl.** **24-02**

(52) **U.S. Cl.**
USPC **D24/226**

(58) **Field of Classification Search**
USPC D24/216, 223–230, 108, 172;
422/63–67, 99–104, 266, 297, 300;
211/74, 71.01, 85.13; 206/443,
206/557–564; D3/294, 295

See application file for complete search history.

(56) **References Cited**

U.S. PATENT DOCUMENTS

D258,145 S	2/1981	Potts
D260,428 S	8/1981	Fekete
D268,130 S	3/1983	Easton
D280,131 S	8/1985	Takasugi
D280,663 S	9/1985	Albon et al.
D285,118 S	8/1986	Huang
D300,245 S	3/1989	Navarro et al.
D301,167 S	5/1989	Raybould et al.
D324,426 S	3/1992	Fan et al.
D328,135 S	7/1992	Fan et al.

D332,145 S	*	12/1992	Wada et al.	D24/227
D335,348 S	*	5/1993	Frenkel et al.	D24/224
D339,869 S	*	9/1993	Schea et al.	D24/229
D351,661 S		10/1994	Fischer		
D359,125 S		6/1995	Livingston		
D404,497 S		1/1999	Lahm et al.		
D404,831 S		1/1999	Yamazaki et al.		
D421,498 S		3/2000	Livingston		
D423,679 S		4/2000	Jenkins et al.		
D428,657 S		7/2000	Ward		
D461,554 S		8/2002	Lafond et al.		
D466,219 S		11/2002	Wynschenk et al.		
D467,080 S		12/2002	Zimmerman		
D486,580 S		2/2004	Abdel-Model		
D492,419 S	*	6/2004	Farina	D24/216
D529,184 S	*	9/2006	Bargh et al.	D24/229
7,276,351 B2		10/2007	Teich et al.		
D565,742 S		4/2008	Parunak et al.		
D566,291 S		4/2008	Parunak et al.		
D613,418 S		4/2010	Ryan et al.		
D617,468 S		6/2010	Marquardt et al.		

(Continued)

Primary Examiner — T. Chase Nelson

Assistant Examiner — Mark Cavanna

(74) *Attorney, Agent, or Firm* — Goodwin Procter LLP

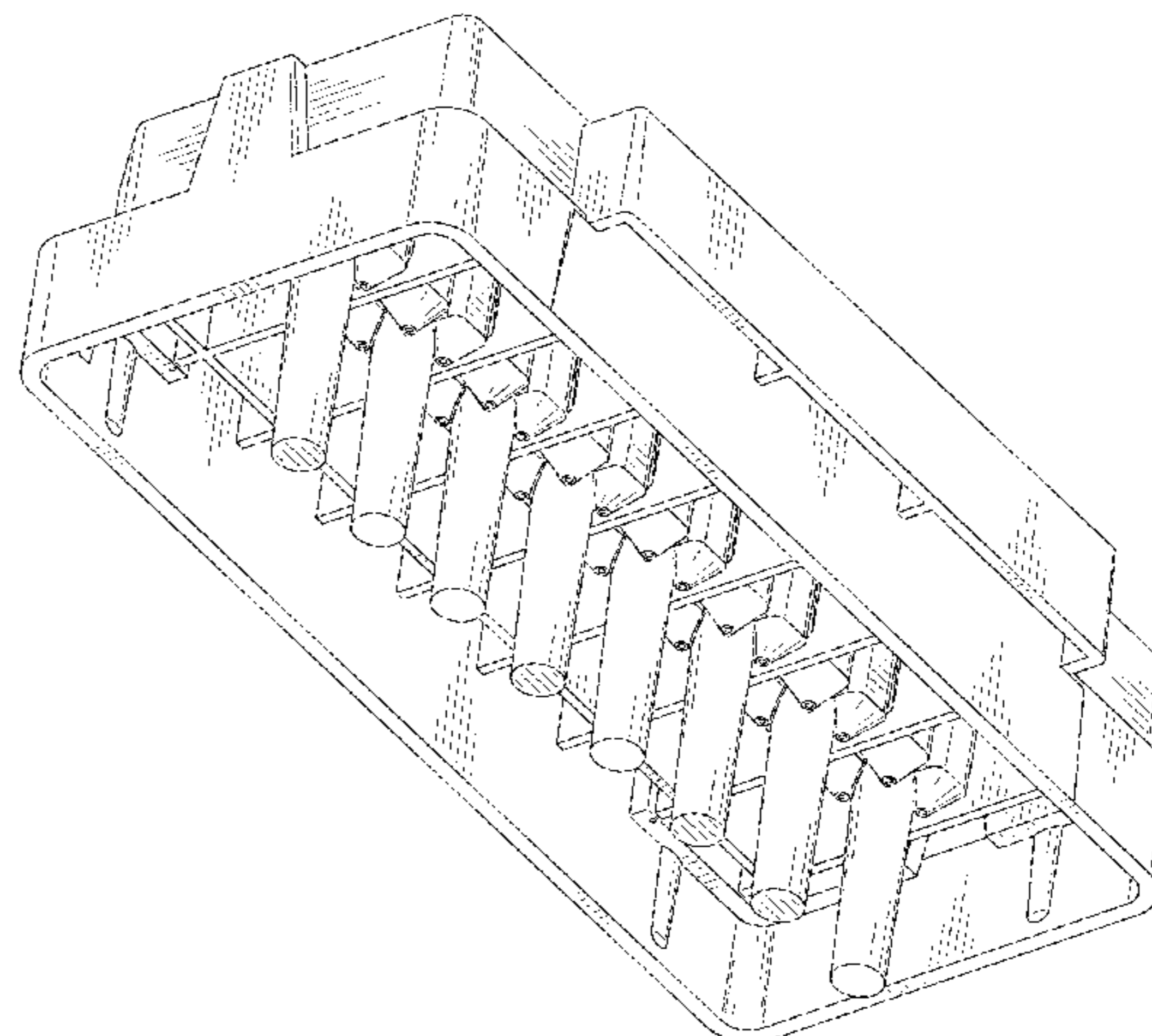
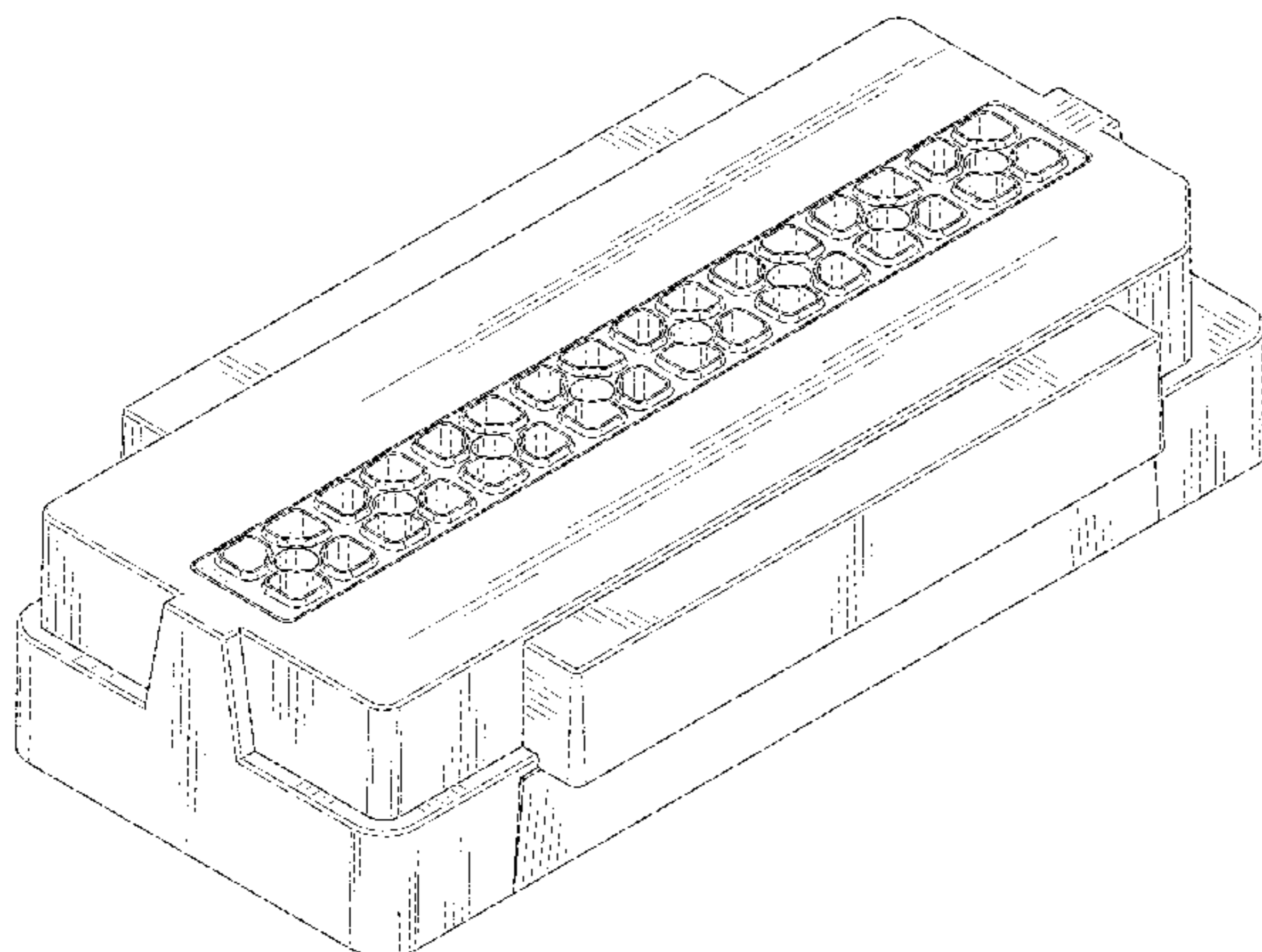
(57) **CLAIM**

The ornamental design for a cartridge, as shown and described.

DESCRIPTION

FIG. 1 is a top, front perspective view of a cartridge;
FIG. 2 is a front view of the cartridge;
FIG. 3 is a rear view of the cartridge;
FIG. 4 is a right side view of the cartridge;
FIG. 5 is a left side view of the cartridge;
FIG. 6 is a top view of the cartridge;
FIG. 7 is a bottom view of the cartridge;
FIG. 8 is a bottom, front perspective view of the cartridge;
and,
FIG. 9 is a cross-sectional view of the cartridge taken along
line 9-9 in FIG. 6.

1 Claim, 7 Drawing Sheets



(56)

References Cited

U.S. PATENT DOCUMENTS

D618,821 S 6/2010 Larsen
 D619,257 S 7/2010 Meschenmoser et al.
 D624,661 S * 9/2010 Himmelsbach et al. D24/230
 D628,305 S * 11/2010 Gorrec et al. D24/229
 D628,306 S * 11/2010 Blanc et al. D24/230
 D631,557 S * 1/2011 Tajima et al. D24/229
 D632,402 S * 2/2011 Sattler et al. D24/224
 D632,803 S * 2/2011 Motadel et al. D24/229
 D657,473 S * 4/2012 Miyashita et al. D24/224
 D669,594 S * 10/2012 Cao et al. D24/216
 D672,053 S * 12/2012 Chen et al. D24/225

D673,293 S * 12/2012 Demas et al. D24/226
 D674,112 S * 1/2013 Demas et al. D24/226
 D686,311 S 7/2013 Mori
 D686,749 S 7/2013 Trump
 D694,904 S 12/2013 Banes et al.
 D694,906 S 12/2013 Priebe et al.
 D694,908 S 12/2013 Okihara
 D696,419 S 12/2013 Fusellier et al.
 D701,972 S * 4/2014 Ohmae D24/229
 D707,847 S * 6/2014 Motadel et al. D24/227
 D714,957 S * 10/2014 Smith D24/227
 D717,470 S * 11/2014 Demas et al. D24/226
 D720,468 S * 12/2014 Calderwood et al. D24/224

* cited by examiner

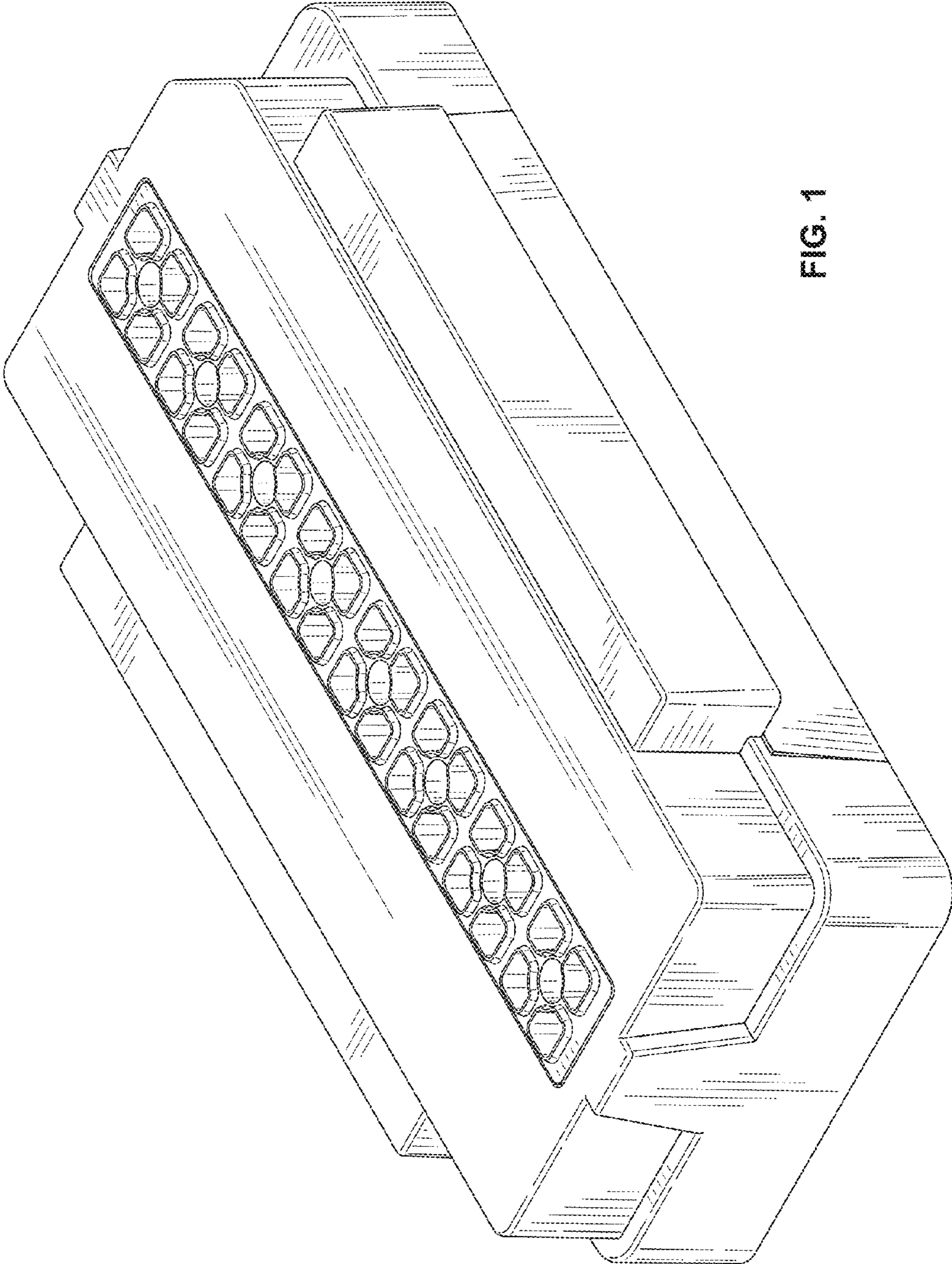


FIG. 1

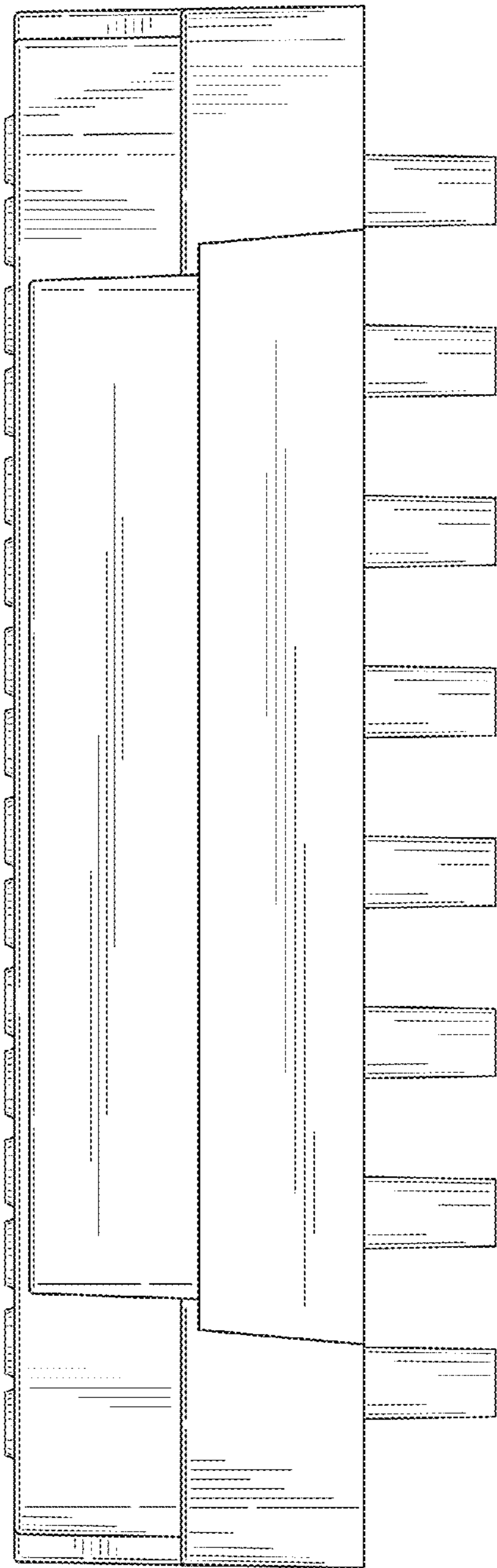


FIG. 2

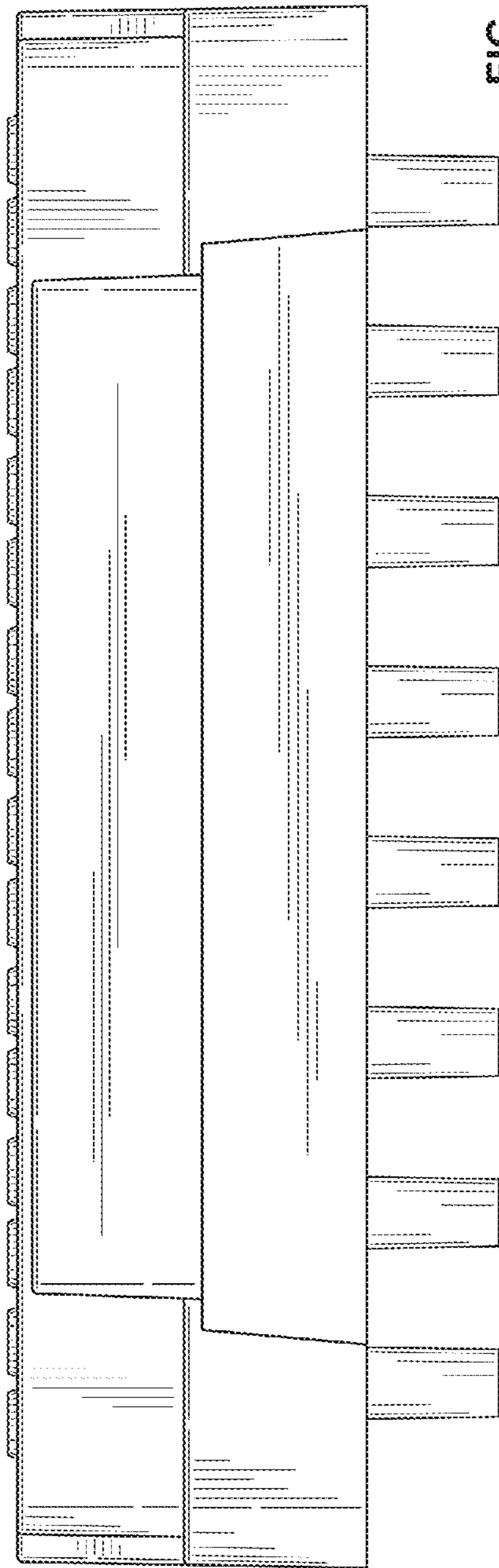


FIG. 3

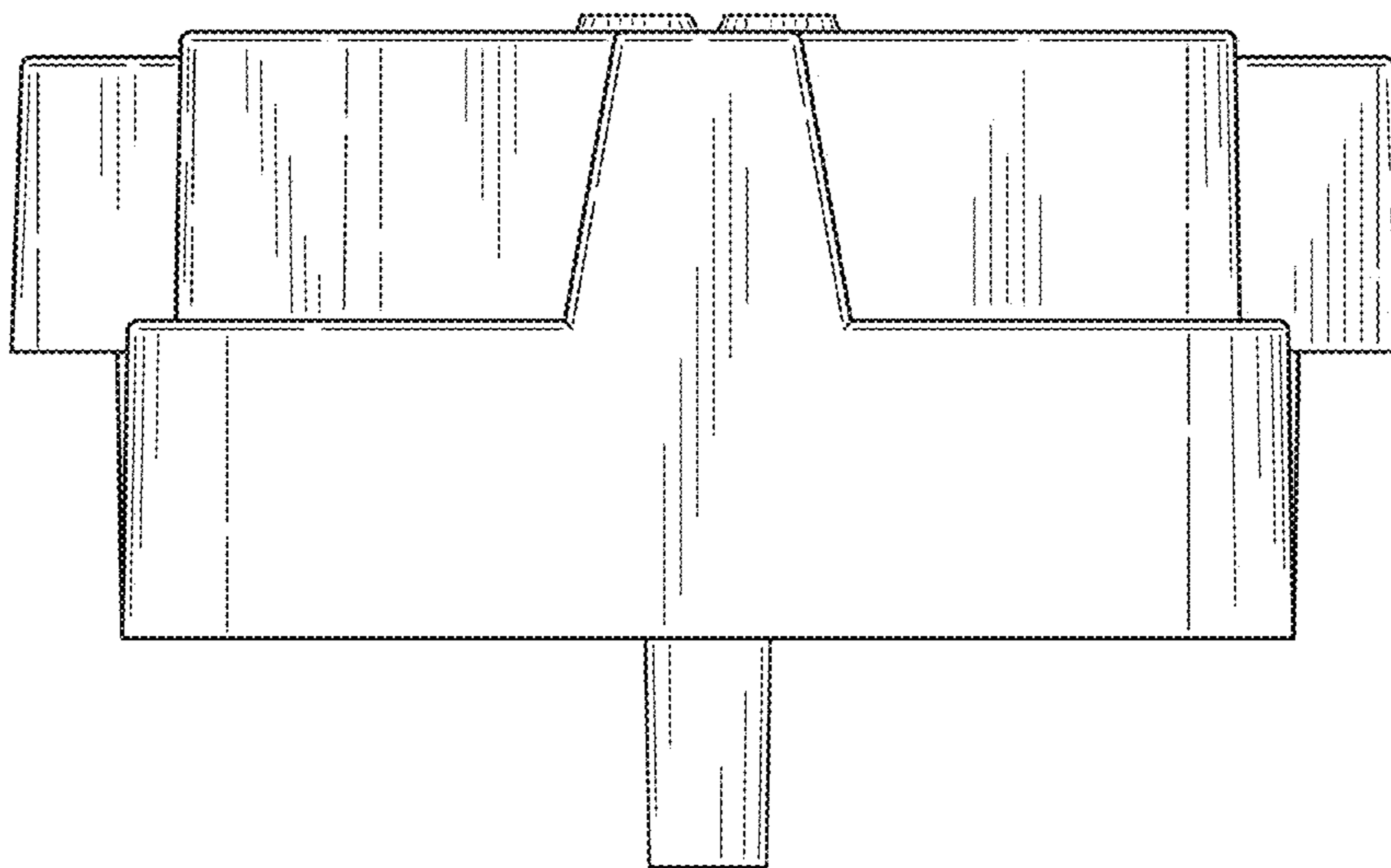


FIG. 4

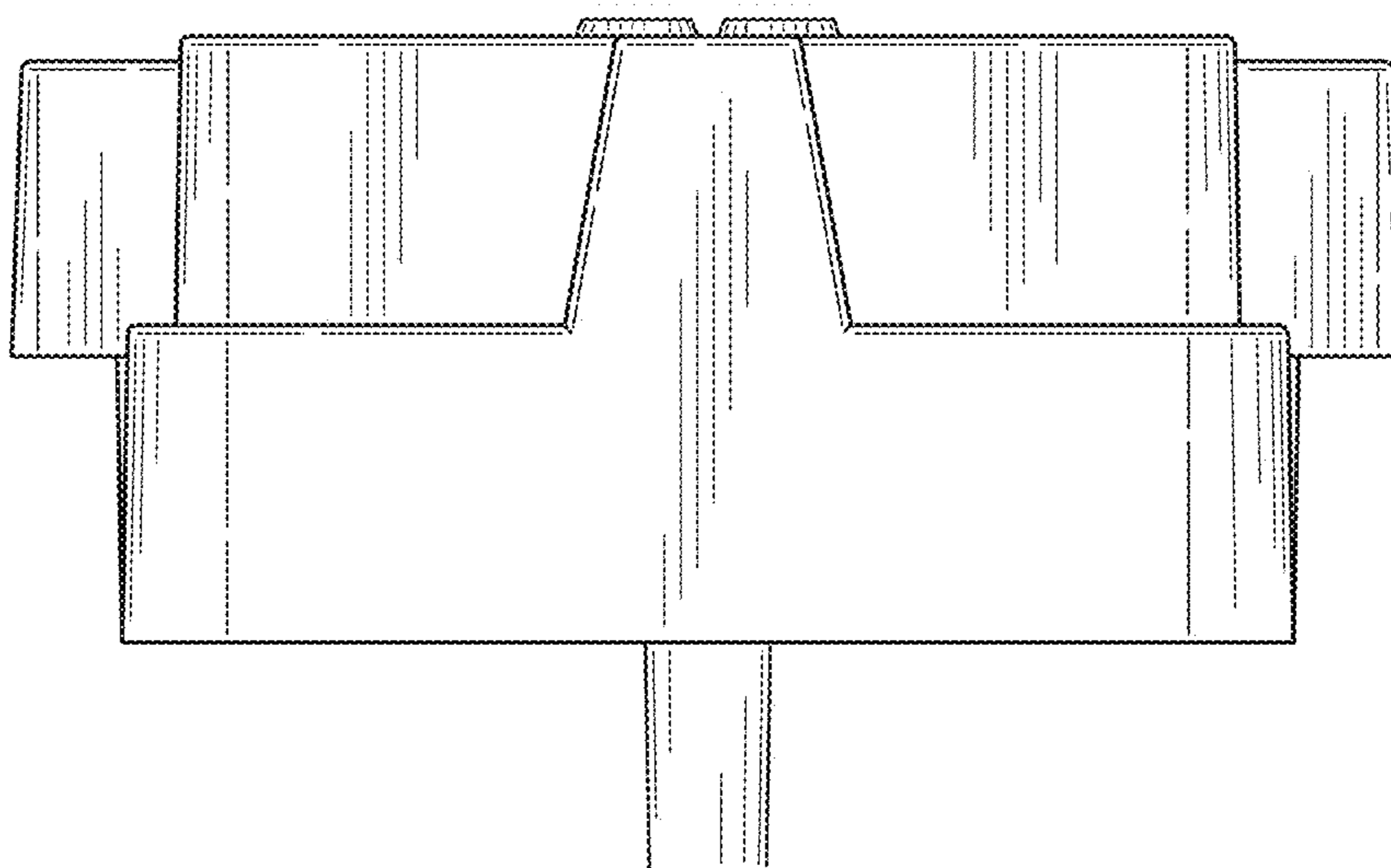


FIG. 5

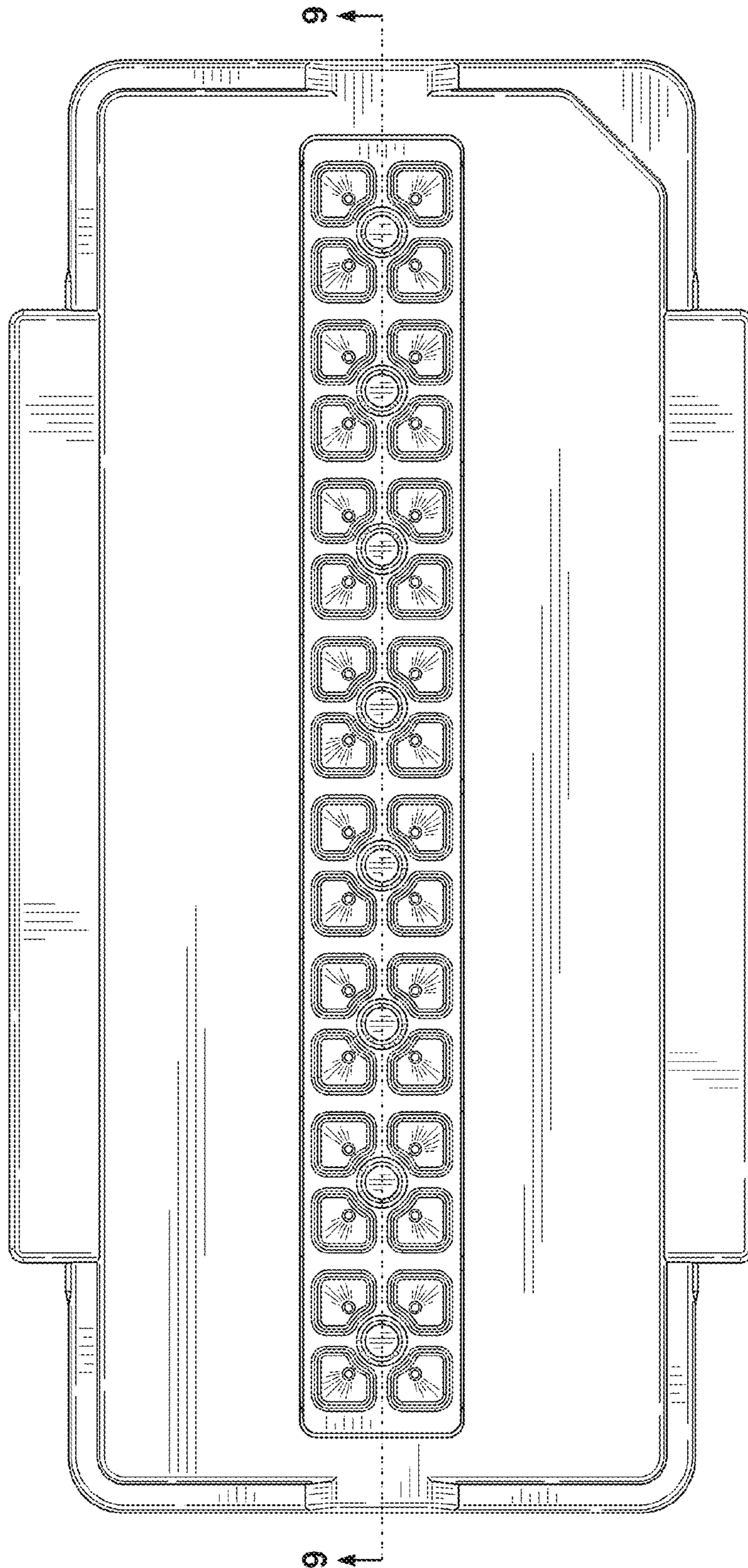


FIG. 6

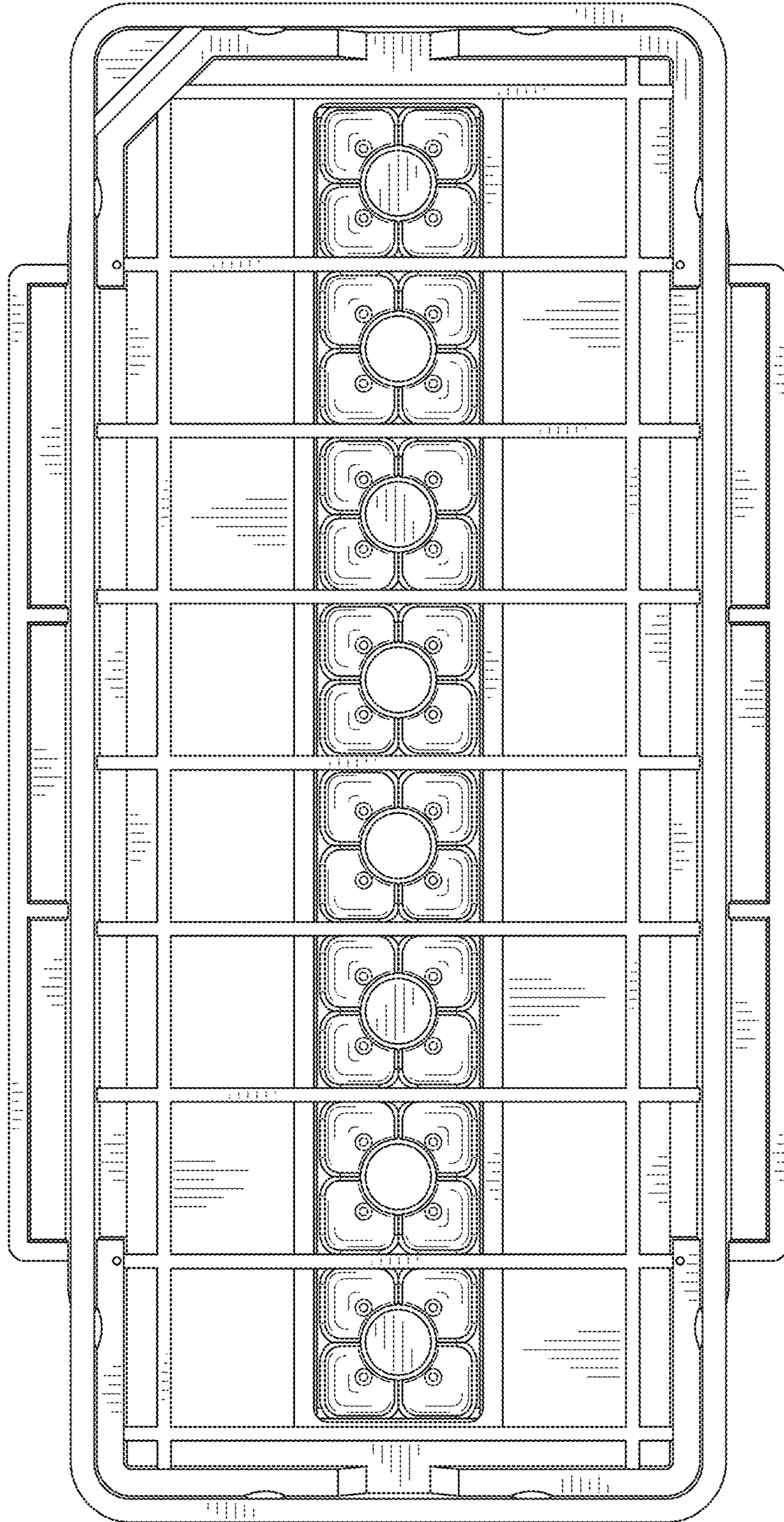


FIG. 7

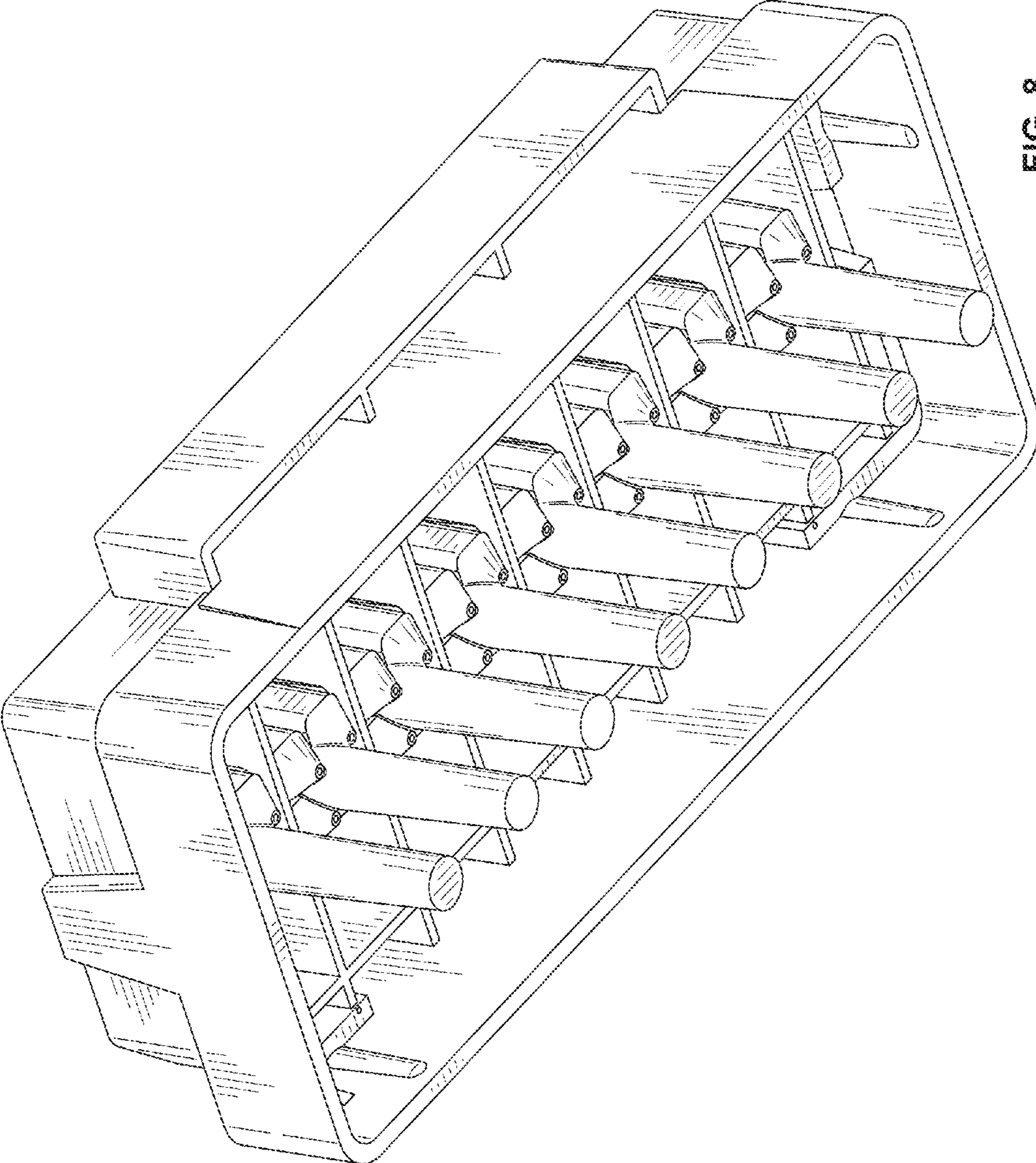


FIG. 8

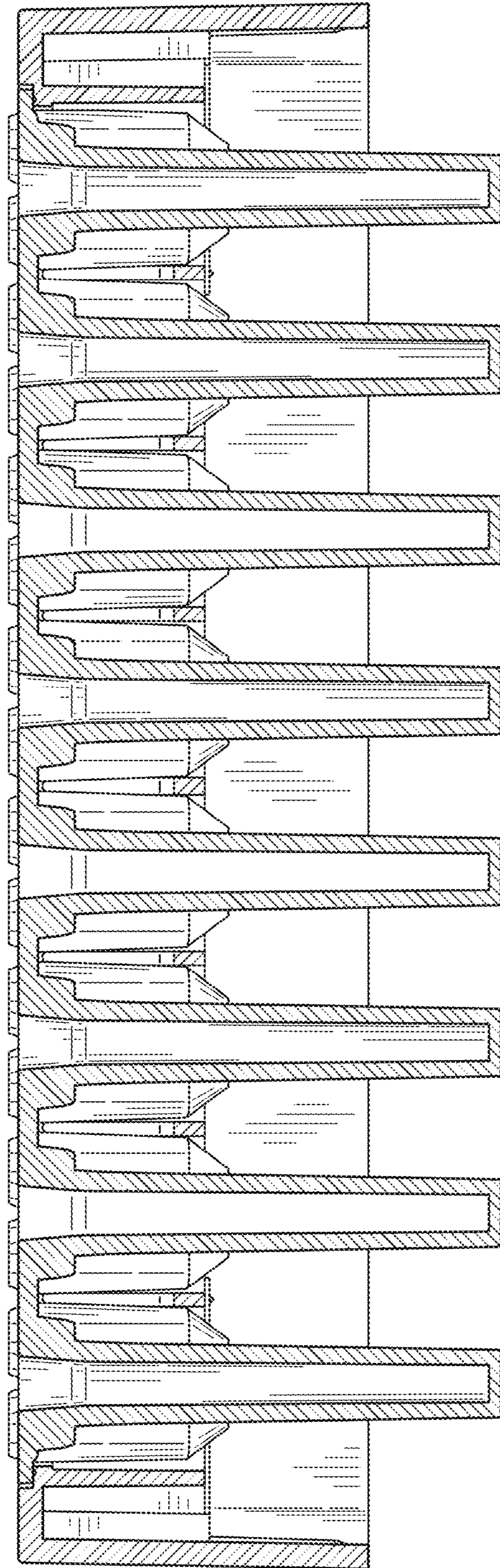


FIG. 9