



US00D732183S

(12) **United States Design Patent**
Imboden et al.

(10) **Patent No.:** **US D732,183 S**
(45) **Date of Patent:** **** Jun. 16, 2015**

- (54) **PERSONAL MASSAGER**
- (71) Applicant: **JJ ACQUISITION, LLC**, San Francisco, CA (US)
- (72) Inventors: **Ethan Frederic Imboden**, San Francisco, CA (US); **Jeff Wyatt**, Boeman, MT (US)
- (73) Assignee: **JJ ACQUISITION, LLC**, San Francisco, CA (US)
- (**) Term: **14 Years**
- (21) Appl. No.: **29/435,707**

D517,217	S *	3/2006	Zou et al.	D24/215
7,081,087	B2	7/2006	Jannuzzi	600/38
7,452,326	B2	11/2008	Fladl et al.	600/38
7,510,537	B2	3/2009	Imboden et al.	601/70
D592,758	S *	5/2009	Kain	D24/215
7,530,944	B1	5/2009	Kain	600/38
D604,425	S *	11/2009	Stewart	D24/214
D605,779	S *	12/2009	Murison	D24/215
D616,559	S *	5/2010	Boyer	D24/200
D623,306	S *	9/2010	Boyer	D24/200
7,828,717	B2	11/2010	Lee	600/38
D630,762	S *	1/2011	Elliott	D24/215
D630,764	S *	1/2011	Elliott	D24/215
7,931,605	B2 *	4/2011	Murison	601/70
D652,942	S *	1/2012	Murison	D24/215
D665,094	S *	8/2012	Sedic	D24/215

(Continued)

- (22) Filed: **Oct. 26, 2012**
- (51) **LOC (10) Cl.** **28-03**
- (52) **U.S. Cl.**
USPC **D24/215**
- (58) **Field of Classification Search**
USPC D24/200, 211, 212, 213, 214, 215;
601/114, 120, 121, 124, 125, 130, 131,
601/134, 135, 136, 137
CPC A61H 19/30; A61H 19/32; A61H 19/34;
A61H 19/40; A61H 19/44; A61H 19/50;
A61H 19/00; A61H 2201/1253; A61H
2205/082; A61H 2205/085; A61H 2205/087;
A61H 15/0085
See application file for complete search history.

FOREIGN PATENT DOCUMENTS

CA	2 471 525	3/2005
EP	1 477 149 A1	11/2004
GB	2 401 551	11/2004

Primary Examiner — Sandra Snapp
(74) *Attorney, Agent, or Firm* — Manuel de la Cerra

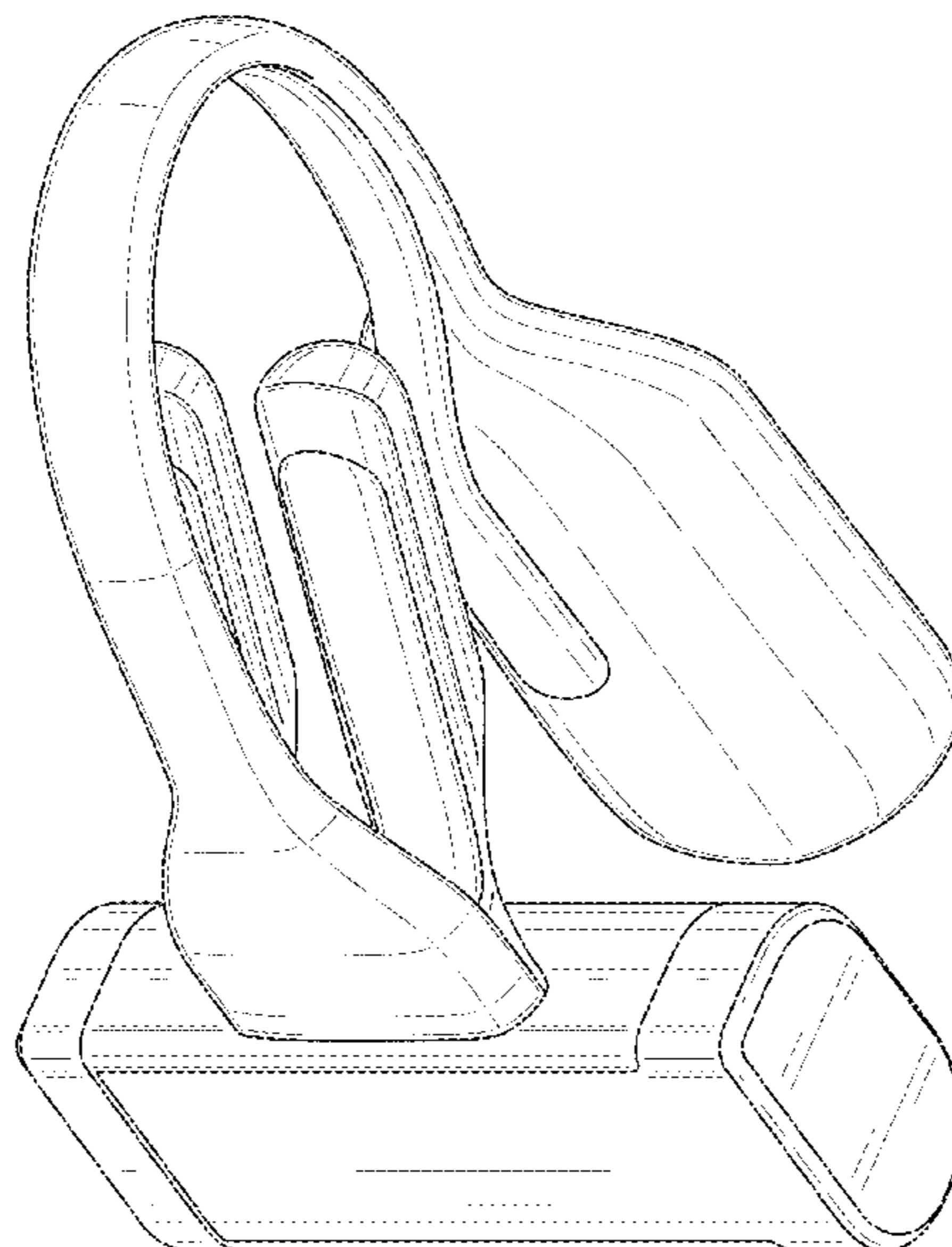
(57) **CLAIM**
The ornamental design for a personal massager, as shown described.

DESCRIPTION

FIG. 1 is a front perspective view of a personal massager according to our new design;
FIG. 2 is a front view of the personal massager of FIG. 1;
FIG. 3 is a rear view of the personal massager of FIG. 1;
FIG. 4 is a left side view of the personal massager of FIG. 1;
FIG. 5 is a right side view of the personal massager of FIG. 1;
FIG. 6 is a top view of the personal massager of FIG. 1; and,
FIG. 7 is a bottom view of the personal massager of FIG. 1.

1 Claim, 7 Drawing Sheets

- (56) **References Cited**
U.S. PATENT DOCUMENTS
3,996,930 A 12/1976 Sekulich 128/67
D384,156 S * 9/1997 Kain D24/200
5,690,603 A * 11/1997 Kain 600/38
5,853,362 A 12/1998 Jacobs 600/38
6,132,366 A 10/2000 Ritchie et al. 600/38
RE38,924 E 12/2005 Ritchie et al. 600/38



US D732,183 S

Page 2

(56)

References Cited

U.S. PATENT DOCUMENTS

2003/0195441	A1	10/2003	Firouzgar	601/46				
2004/0230093	A1	11/2004	Marshall	600/38				
2005/0203335	A1					9/2005	Stachon	600/39
2006/0141903	A1					6/2006	Gardos et al.	446/490
2008/0009775	A1					1/2008	Murison	601/46
2008/0027275	A1					1/2008	Topolev	600/38

* cited by examiner

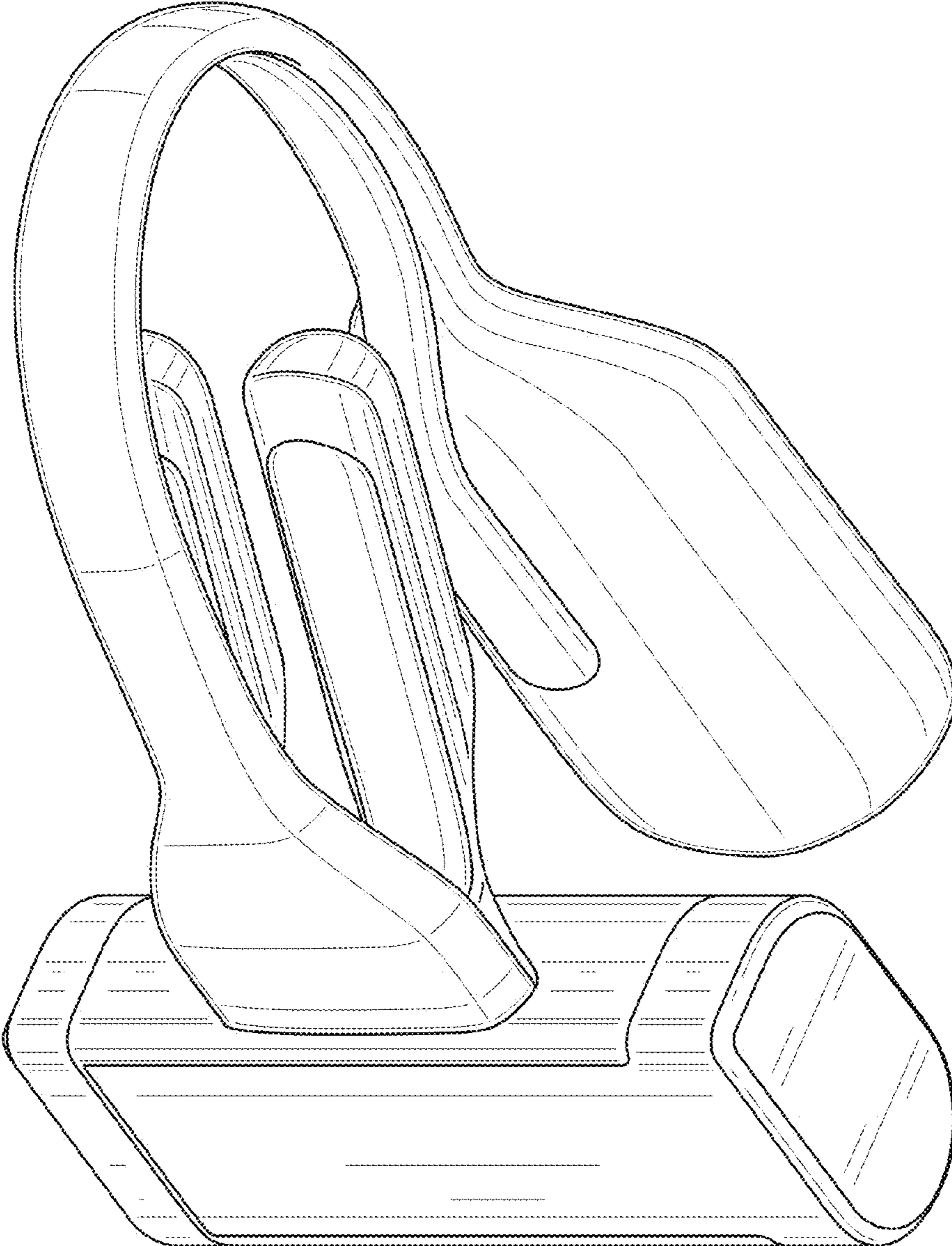


FIG. 1

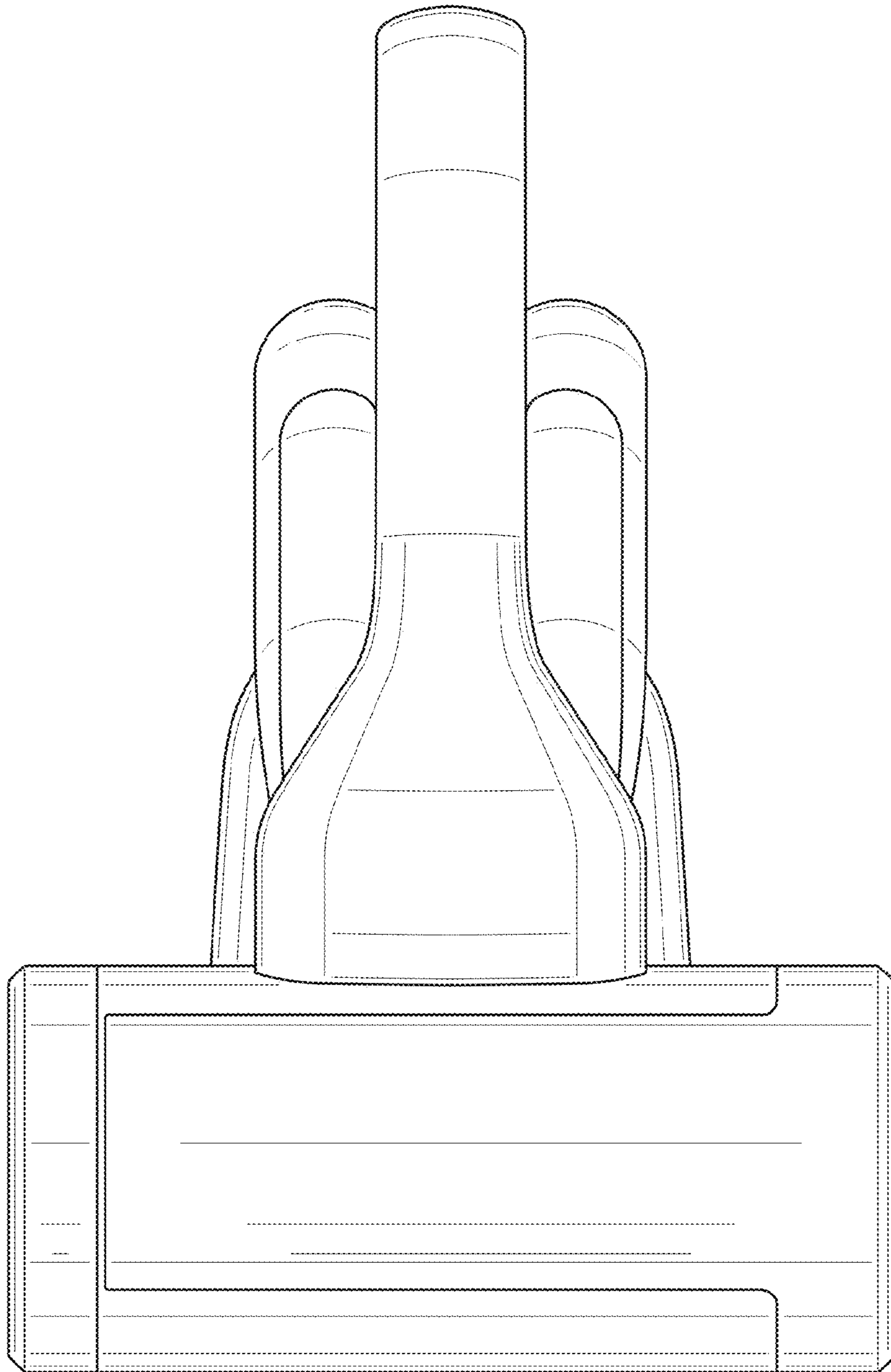


FIG. 2

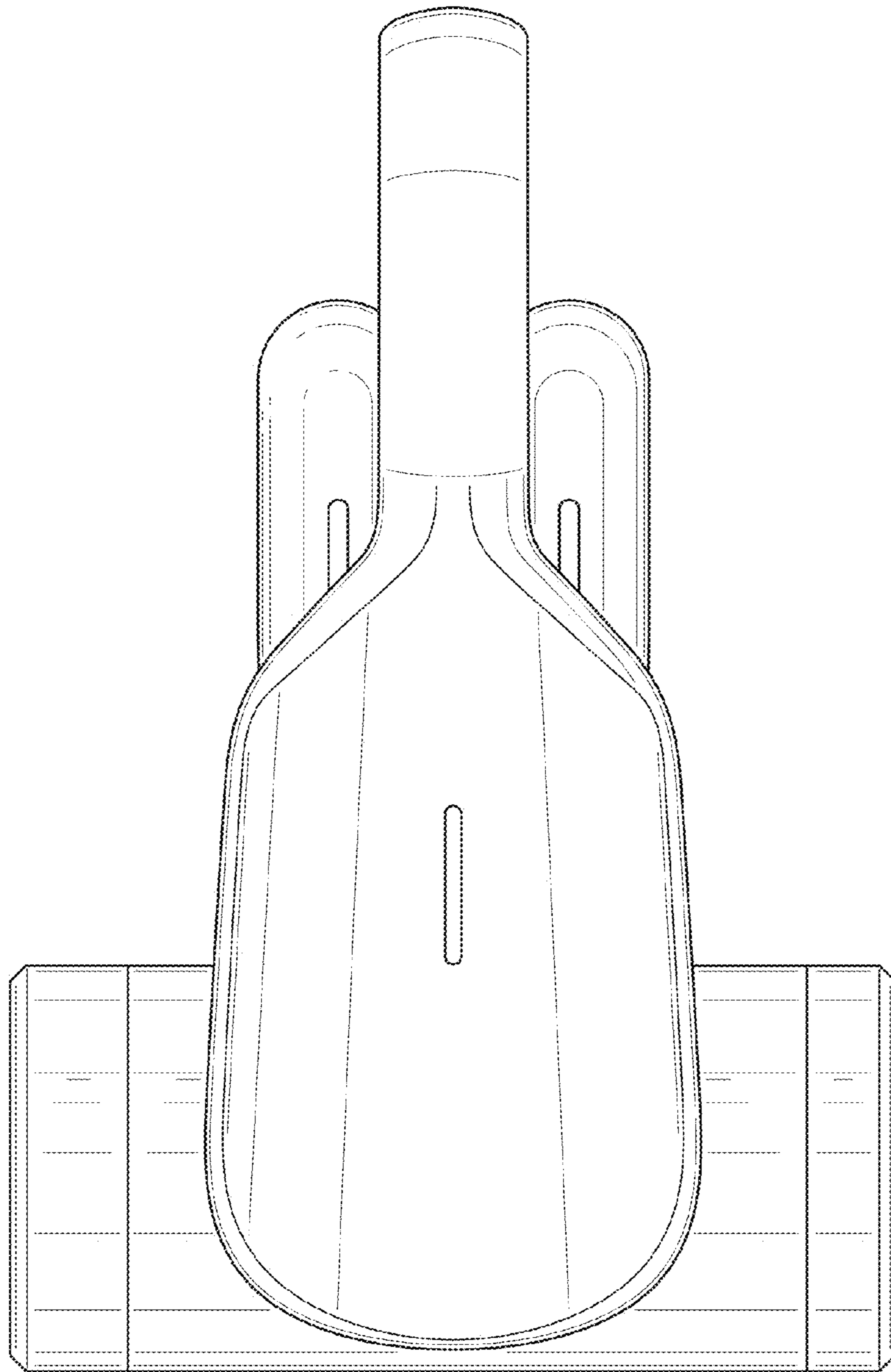


FIG. 3

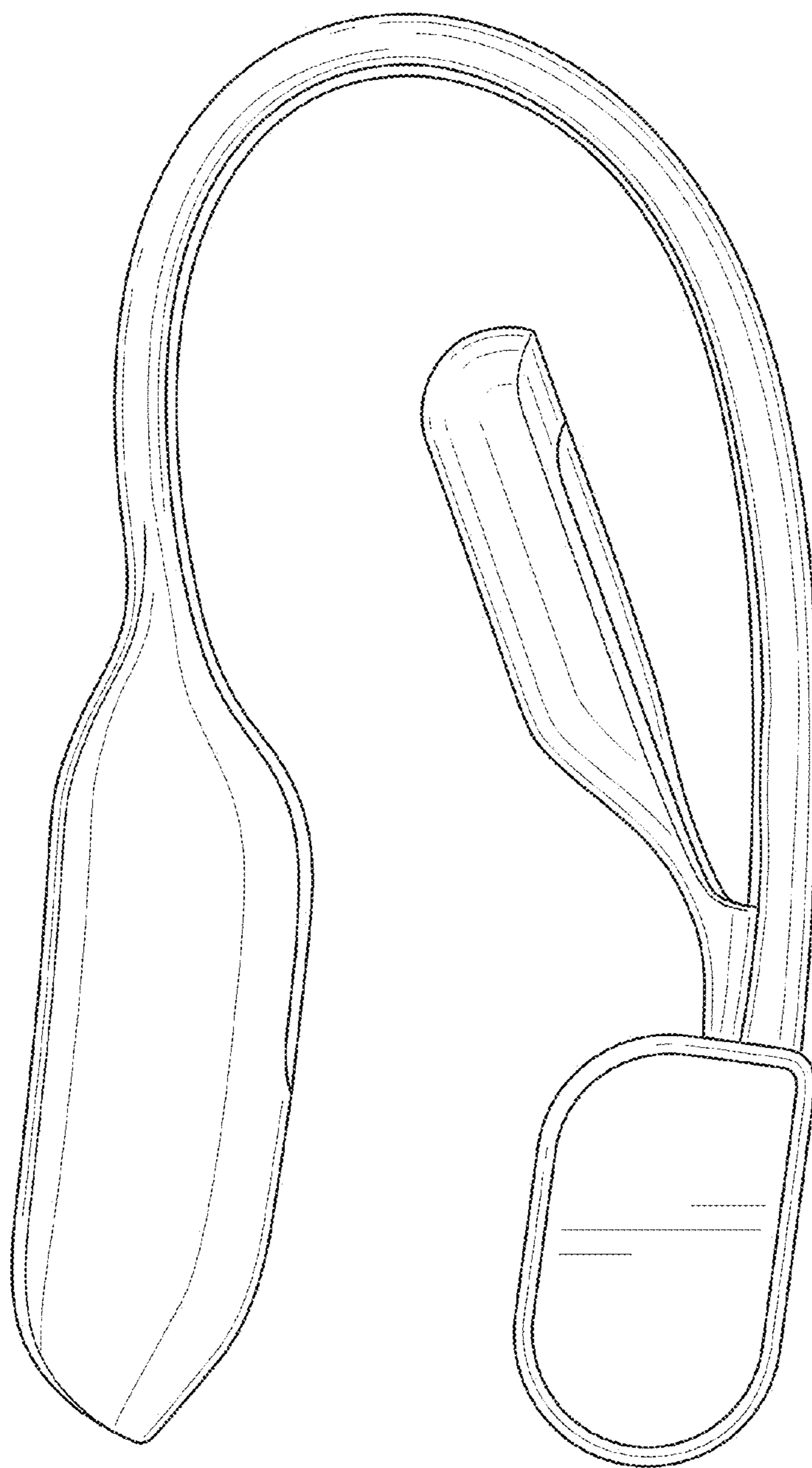


FIG. 4

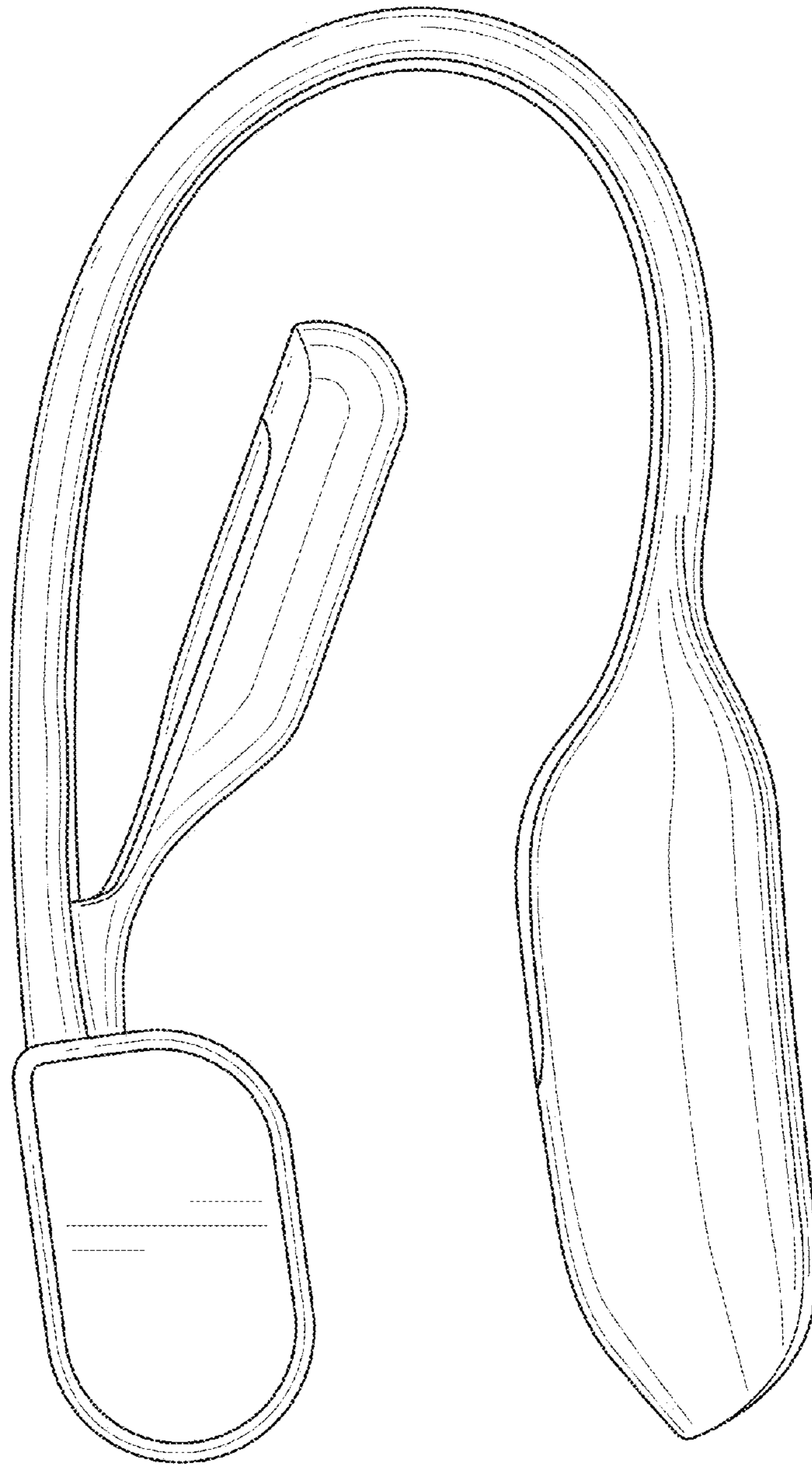


FIG. 5

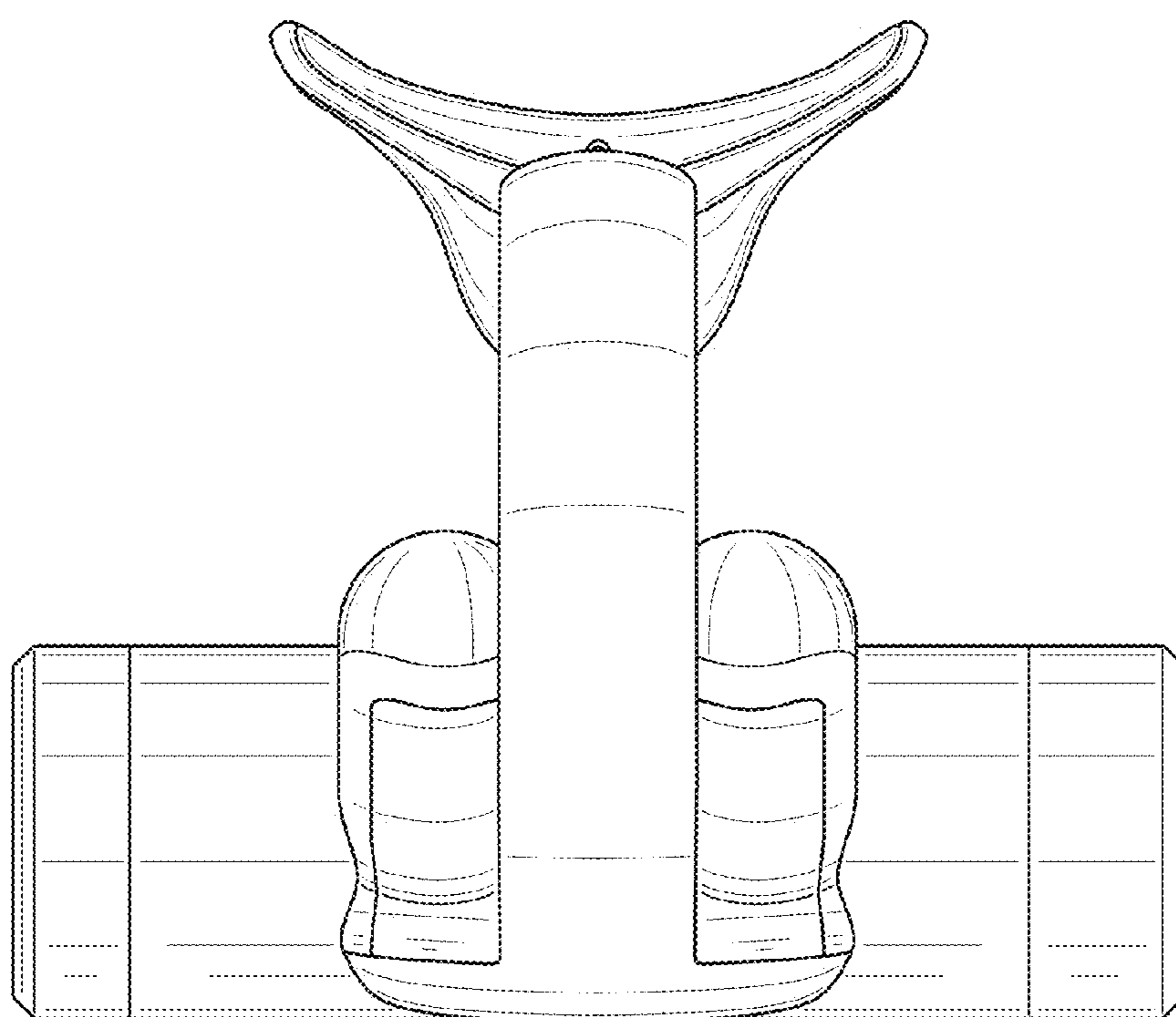


FIG. 6

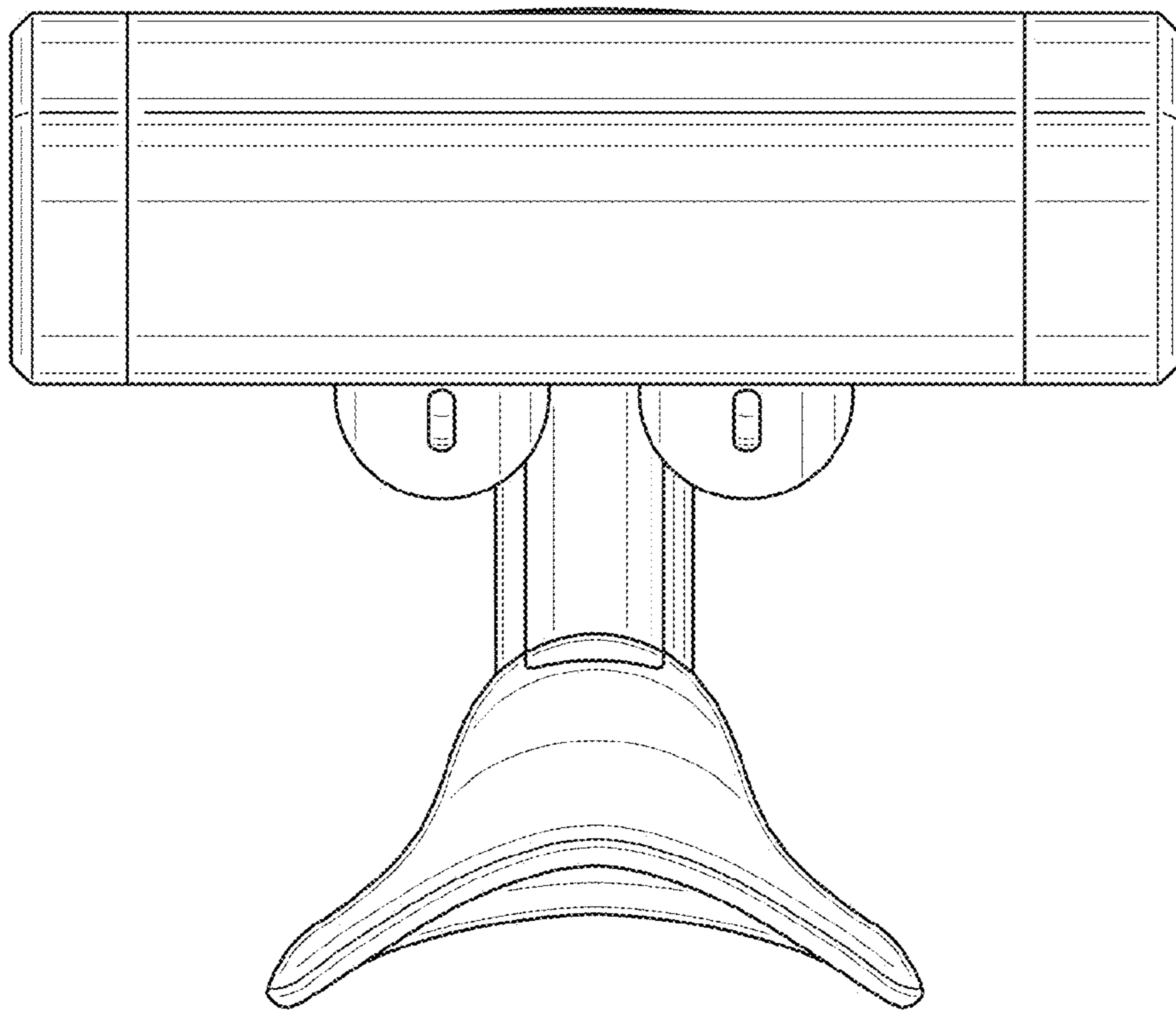


FIG. 7