



US00D732181S

(12) **United States Design Patent**  
**Viner et al.**

(10) **Patent No.:** **US D732,181 S**  
(45) **Date of Patent:** **\*\* Jun. 16, 2015**

(54) **HANDHELD MASSAGER**

- (71) Applicant: **V2 Fitness LLC**, Glenview, IL (US)
- (72) Inventors: **Victor P. Viner**, Northfield, IL (US);  
**Bjorn James Gunderson**, Chicago, IL (US); **Gilberto Cavada, Jr.**, Wauconda, IL (US); **Thomas Patrick-Lee O'Connor**, Chicago, IL (US)
- (73) Assignee: **V2 Fitness, LLC**, Glenview, IL (US)
- (\*\*) Term: **14 Years**
- (21) Appl. No.: **29/510,208**
- (22) Filed: **Nov. 25, 2014**
- (51) **LOC (10) Cl.** ..... **28-03**
- (52) **U.S. Cl.**  
USPC ..... **D24/211**
- (58) **Field of Classification Search**  
USPC ..... D24/200, 211, 212, 213, 214, 215;  
601/110-114, 120, 121, 124, 125, 129,  
601/131, 134, 135, 136, 137  
CPC ..... A61H 19/30; A61H 19/32; A61H 19/34;  
A61H 19/40; A61H 19/44; A61H 19/50;  
A61H 19/00; A61H 2201/1253; A61H  
2205/082; A61H 2205/085; A61H 2205/087;  
A61H 15/0085

See application file for complete search history.

(56) **References Cited**

U.S. PATENT DOCUMENTS

D417,008 S *	11/1999	Chien .....	D24/211
D504,954 S *	5/2005	Park .....	D24/215
D694,415 S *	11/2013	Viner et al. ....	D24/213
D694,898 S *	12/2013	Chen .....	D24/215
D695,364 S *	12/2013	Khalil .....	D21/662
D697,220 S *	1/2014	Clementes .....	D24/211

\* cited by examiner

*Primary Examiner* — Sandra Snapp

(74) *Attorney, Agent, or Firm* — Norvell IP llc; Shyla N. Jones

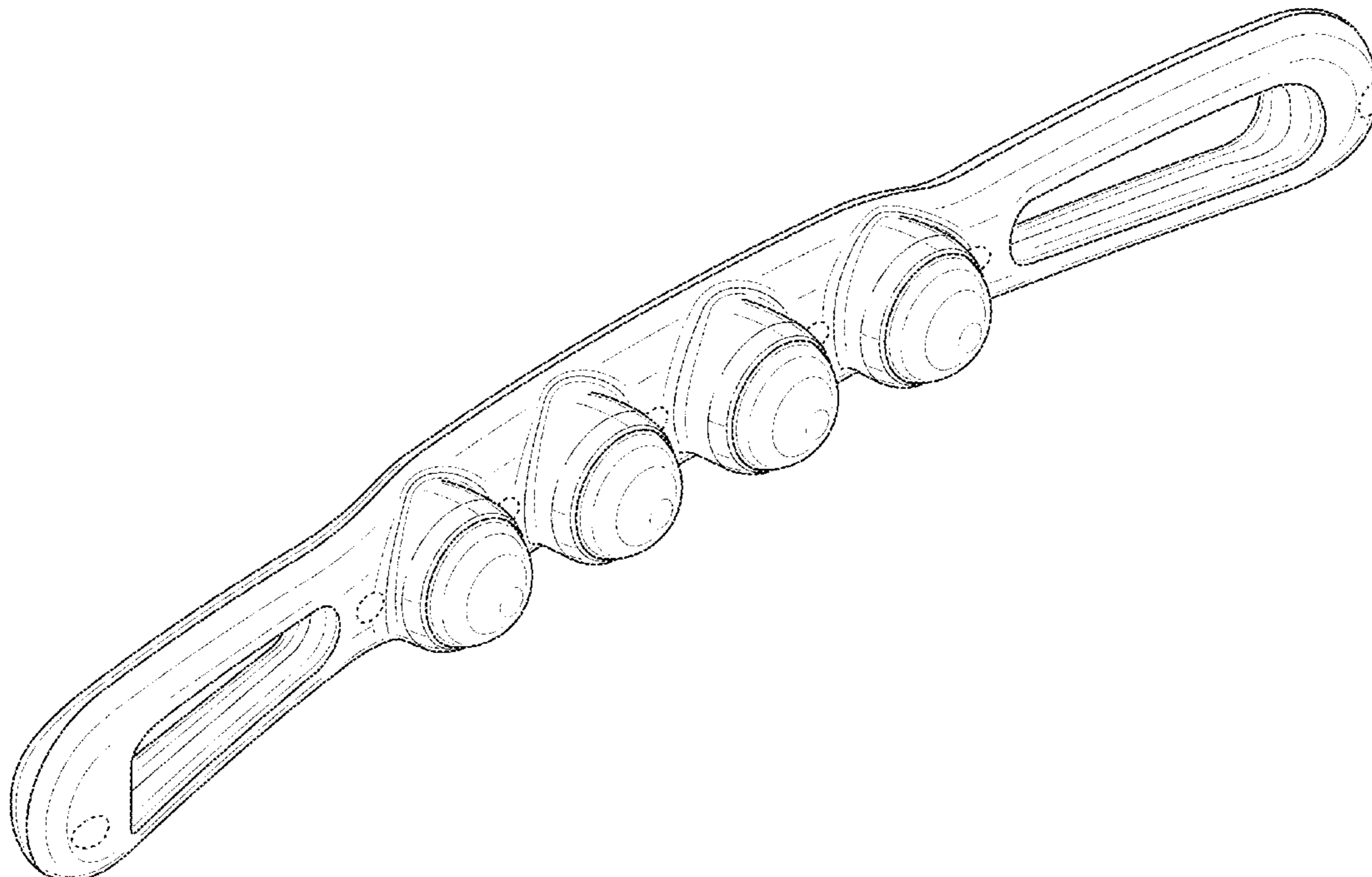
(57) **CLAIM**

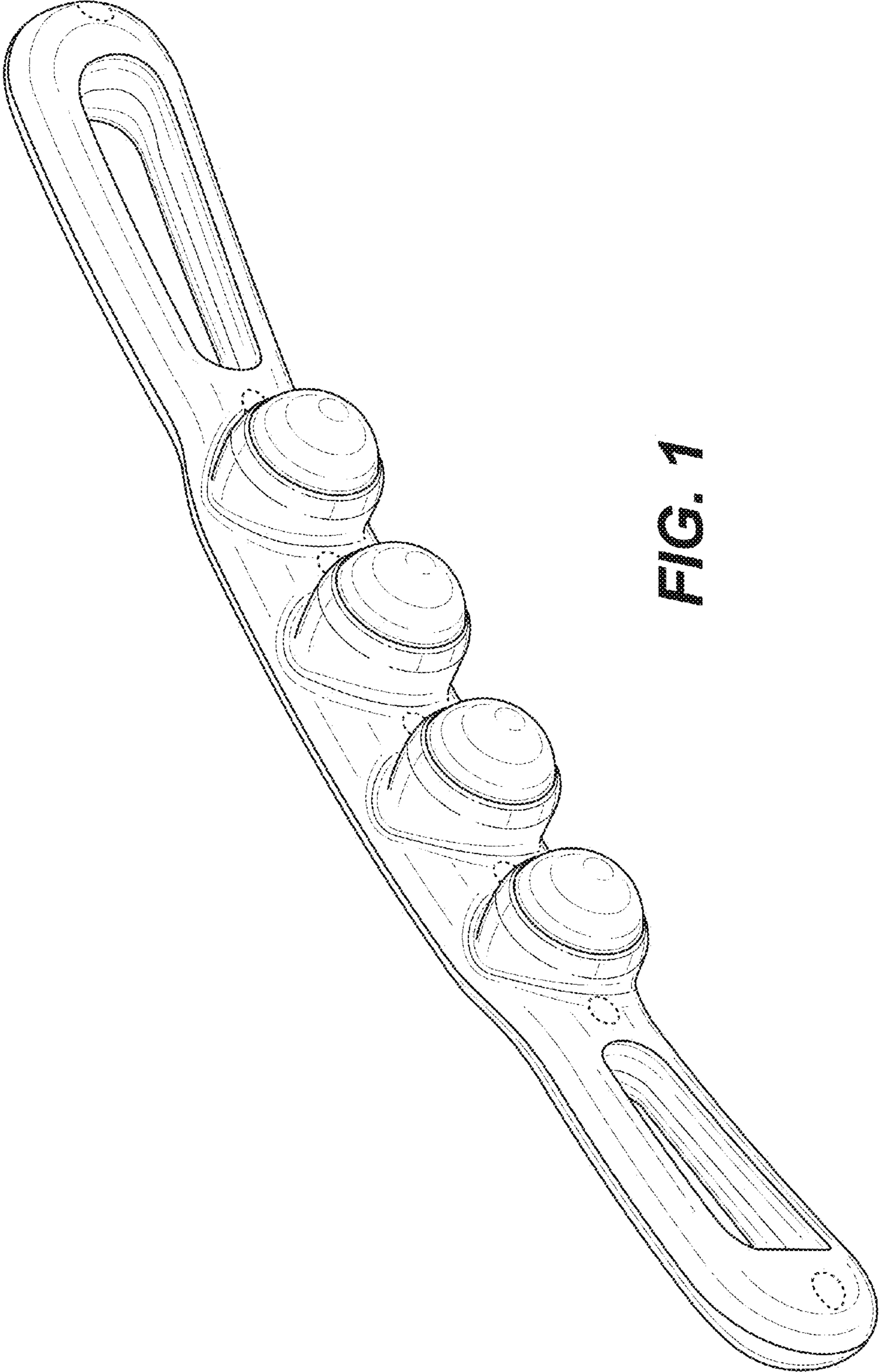
We claim the ornamental design of the handheld massager, as shown and described.

**DESCRIPTION**

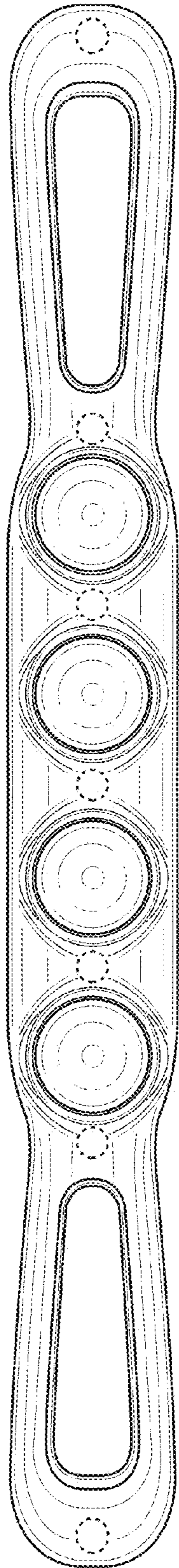
FIG. 1 is a perspective view of the handheld massager of the present invention.  
 FIG. 2 is a bottom view of the invention shown in FIG. 1.  
 FIG. 3 is a top view of the invention shown in FIG. 1.  
 FIG. 4 is a first side view of the invention shown in FIG. 1.  
 FIG. 5 is a second side view of the invention shown in FIG. 1.  
 FIG. 6 is a rear view of the invention shown in FIG. 1; and,  
 FIG. 7 is a front view of the invention shown in FIG. 1.  
 The ornamental design which is claimed is shown in solid lines in the drawings.

**1 Claim, 4 Drawing Sheets**

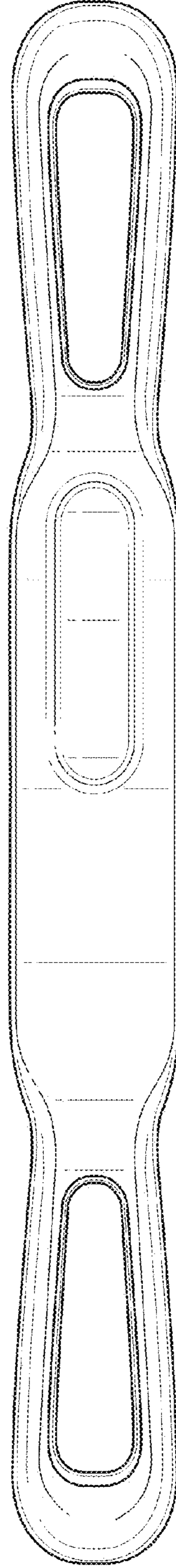




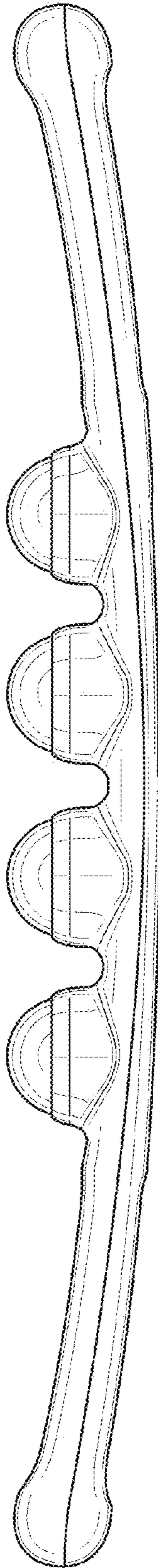
**FIG. 1**



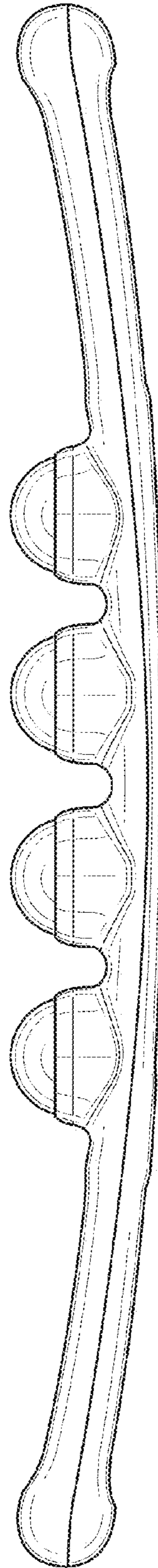
**FIG. 2**



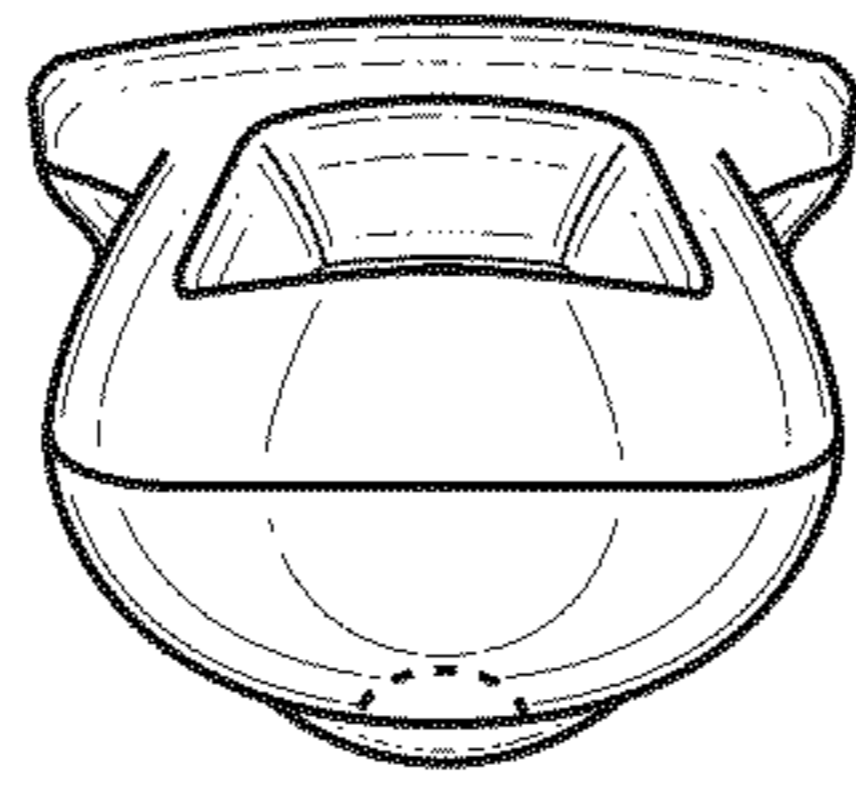
**FIG. 3**



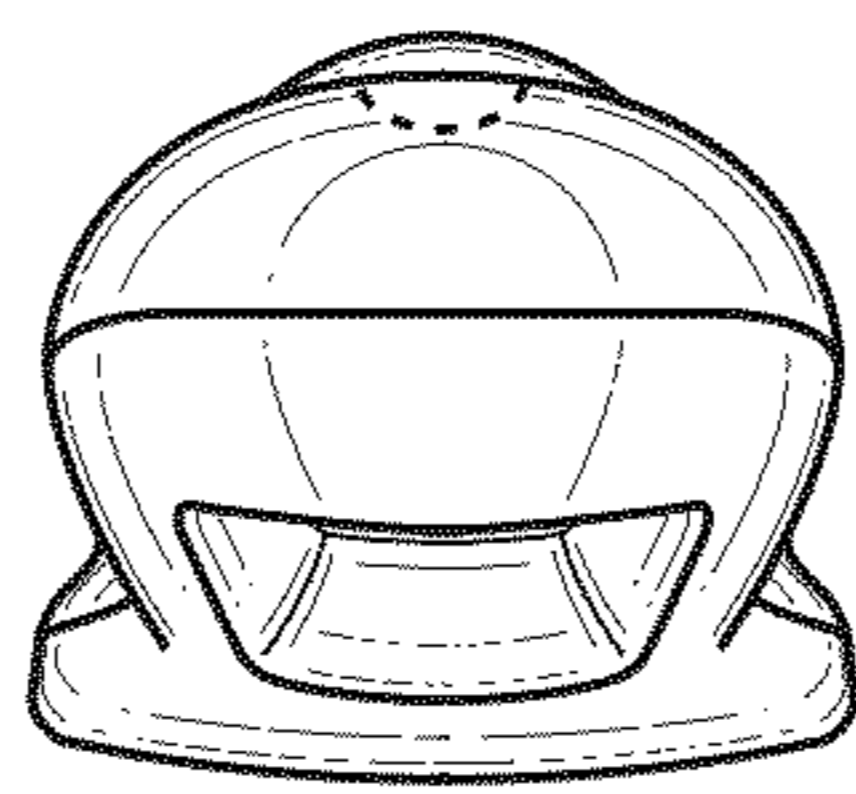
**FIG. 4**



**FIG. 5**



**FIG. 7**



**FIG. 6**