



US00D732180S

(12) **United States Design Patent**
Lee

(10) **Patent No.:** **US D732,180 S**
(45) **Date of Patent:** **** Jun. 16, 2015**

- (54) **FOOT SAUNA**
- (71) Applicant: **Seung Woo Lee**, Yorba Linda, CA (US)
- (72) Inventor: **Seung Woo Lee**, Yorba Linda, CA (US)
- (**) Term: **14 Years**
- (21) Appl. No.: **29/487,840**
- (22) Filed: **Apr. 11, 2014**
- (51) **LOC (10) Cl.** **23-02**
- (52) **U.S. Cl.**
USPC **D24/203**
- (58) **Field of Classification Search**
USPC D24/201-205; 4/524, 526, 528, 531,
4/532
See application file for complete search history.

7,784,120 B2 * 8/2010 Spicer 4/592
 8,171,577 B1 * 5/2012 Gutt 4/578.1
 D663,855 S * 7/2012 Zack et al. D24/203
 8,214,937 B2 * 7/2012 Lawyer et al. 4/541.1
 D676,974 S * 2/2013 Zack et al. D24/203

* cited by examiner

Primary Examiner — David Muller

(74) *Attorney, Agent, or Firm* — John K. Park; Park Law Firm

(57) **CLAIM**

The ornamental design for a foot sauna, as shown and described.

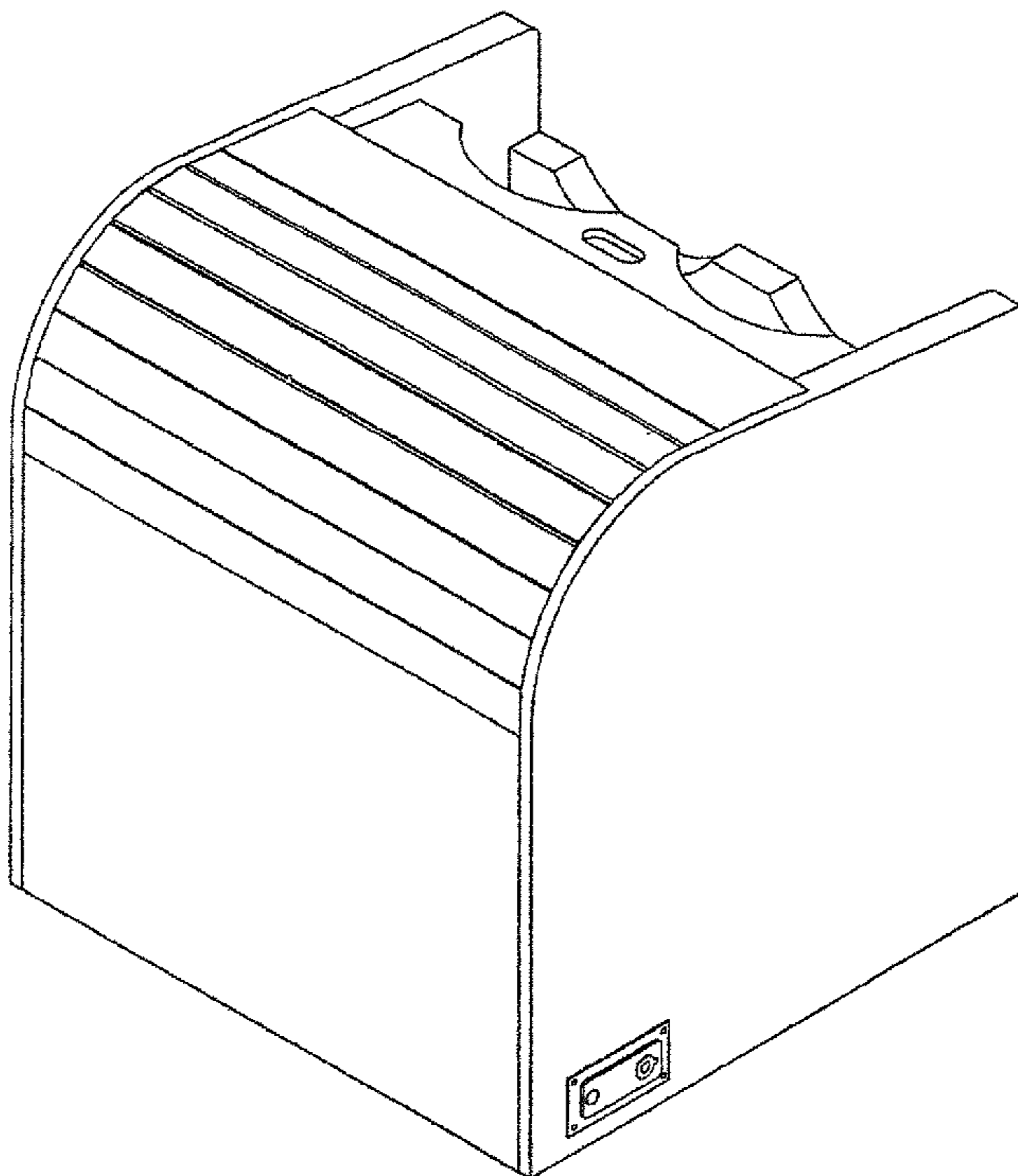
DESCRIPTION

FIG. 1 is a perspective view of a foot sauna showing my new design;
 FIG. 2 is a front view thereof;
 FIG. 3 is a rear view thereof;
 FIG. 4 is a left side view thereof;
 FIG. 5 is a right side view thereof;
 FIG. 6 is a top plan view thereof;
 FIG. 7 is a bottom view thereof; and,
 FIG. 8 is a perspective view thereof in operation.
 The features shown in broken lines depict environmental structure only and form no part of the claimed design.

(56) **References Cited**
U.S. PATENT DOCUMENTS

D255,267	S *	6/1980	Sinaiko	D24/205
D271,523	S *	11/1983	Richburg	D24/204
D310,415	S *	9/1990	D’Innocente et al.	D24/205
D341,425	S *	11/1993	Lee	D24/203
5,446,929	A *	9/1995	Sills et al.	4/555
7,458,111	B2 *	12/2008	Sappenfield et al.	4/524
D598,078	S *	8/2009	Lutz	D23/278
7,784,118	B2 *	8/2010	Lee	4/531

1 Claim, 5 Drawing Sheets



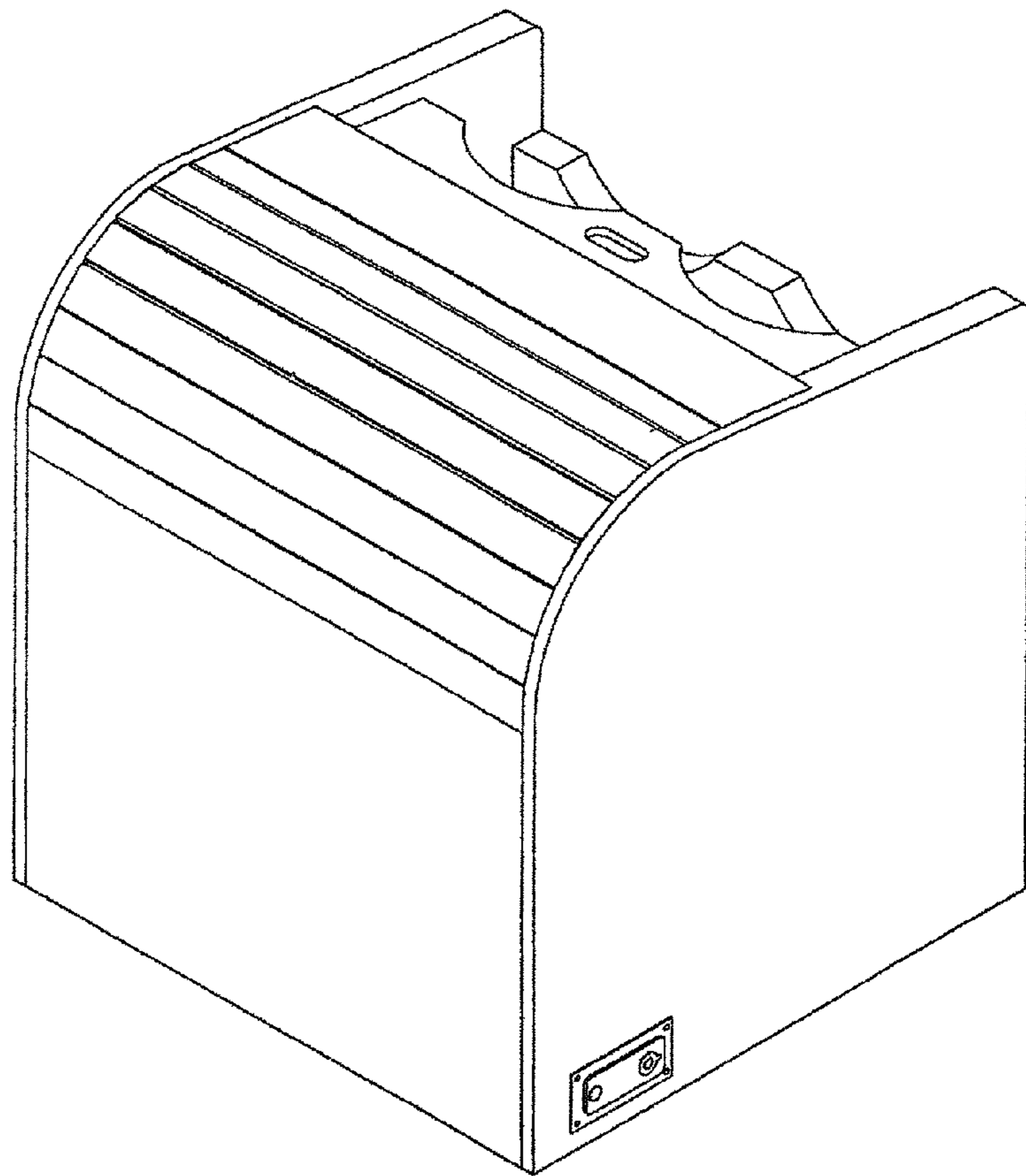


Fig. 1

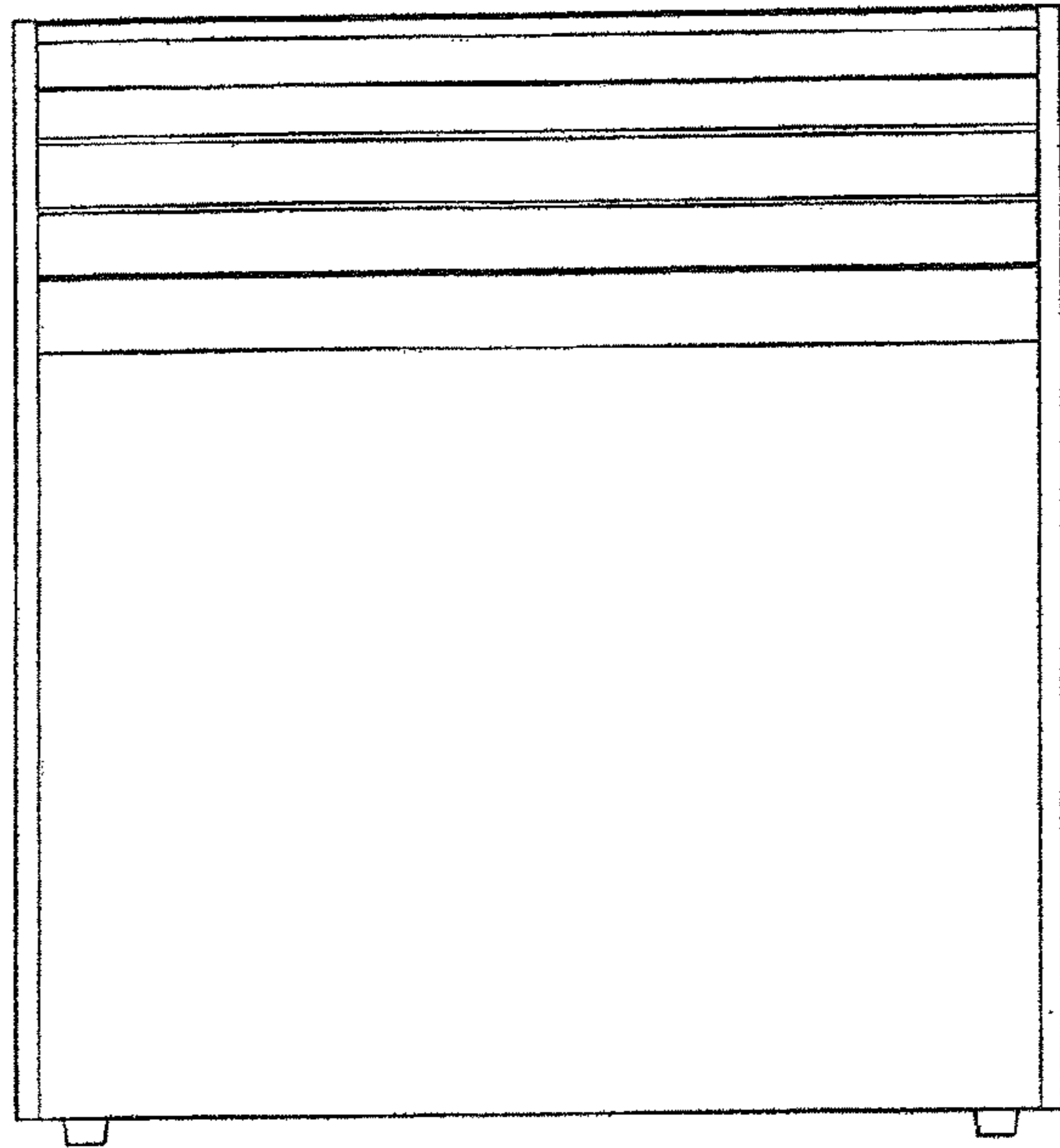


Fig. 2

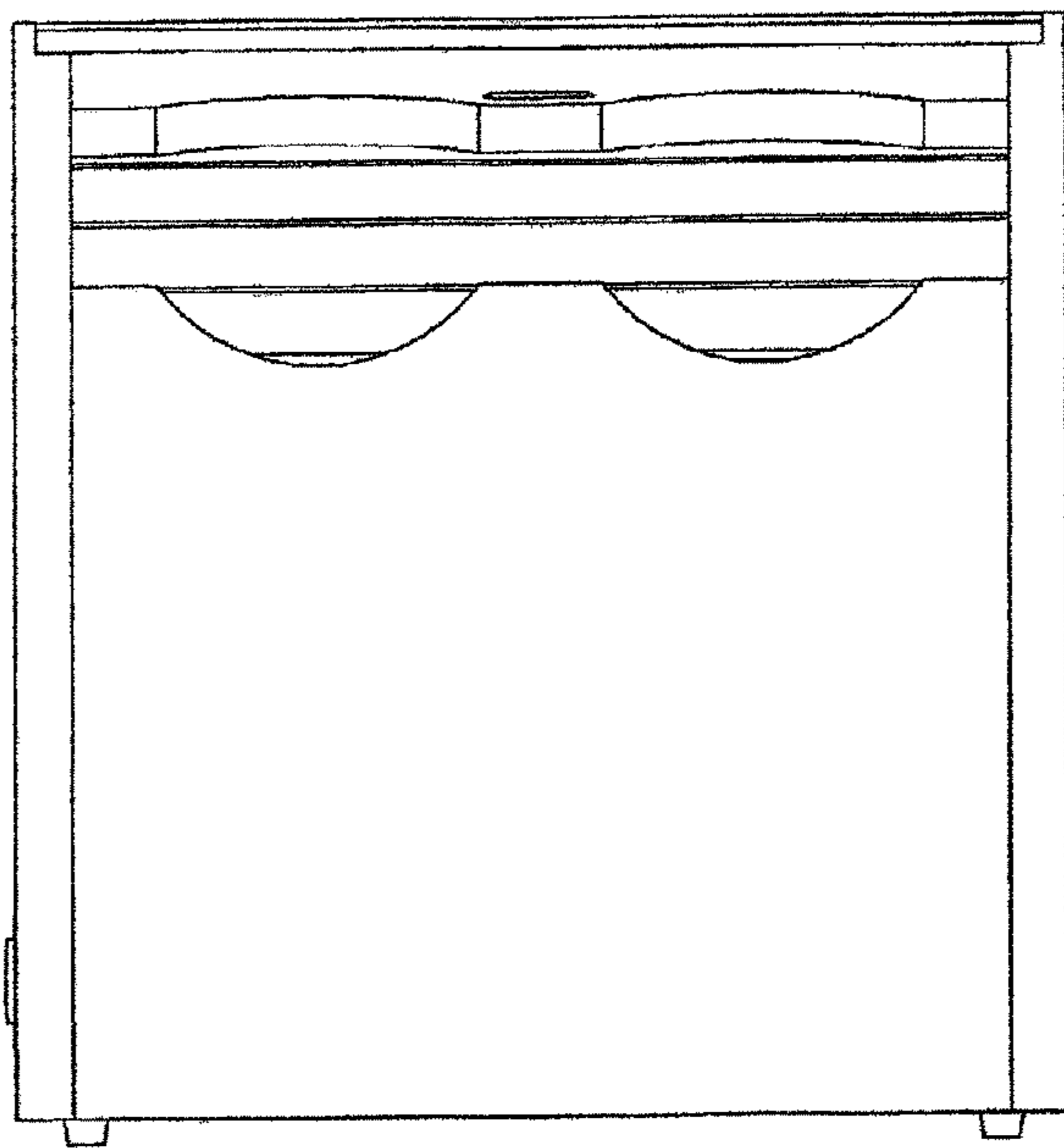


Fig. 3

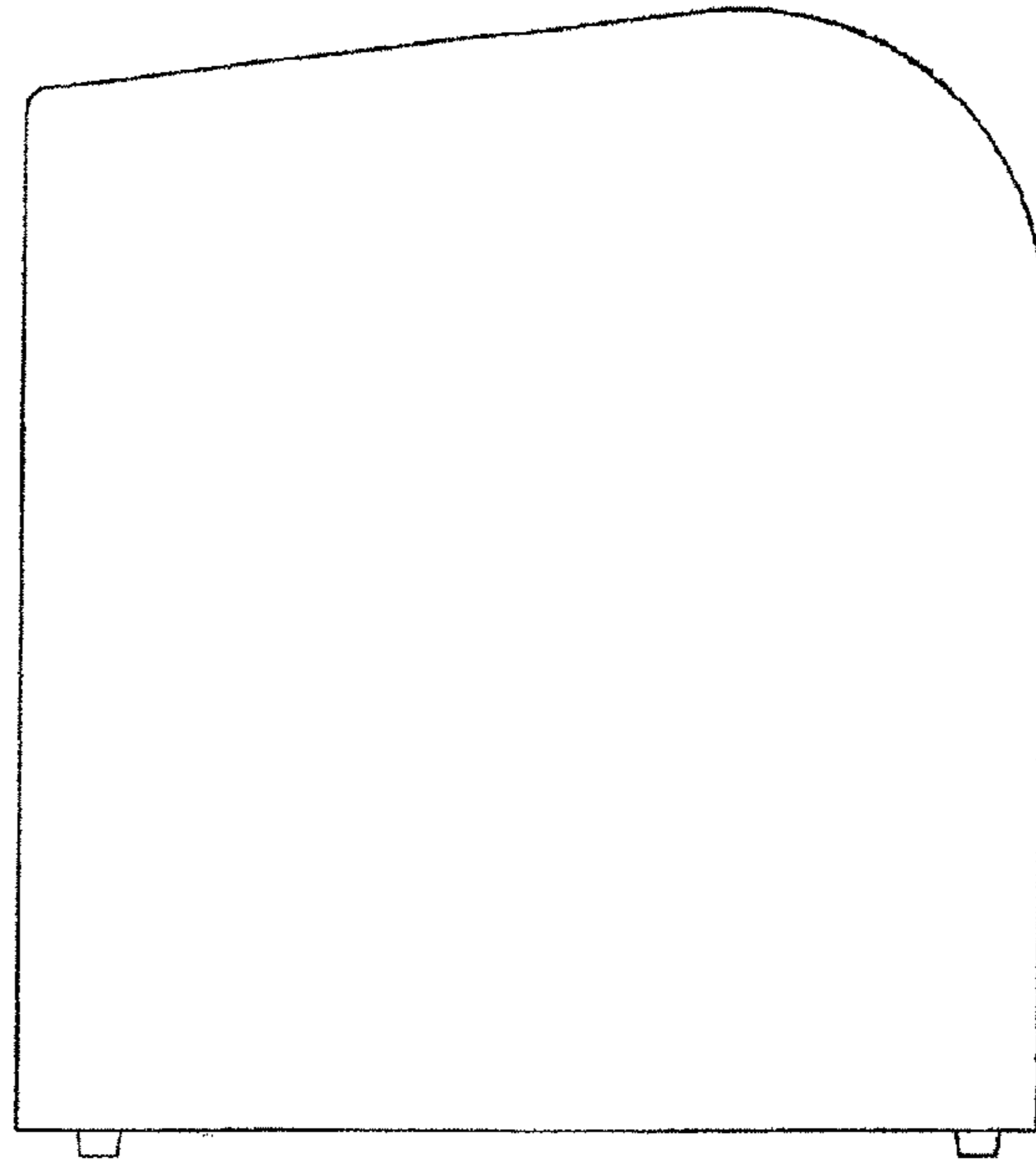


Fig. 4

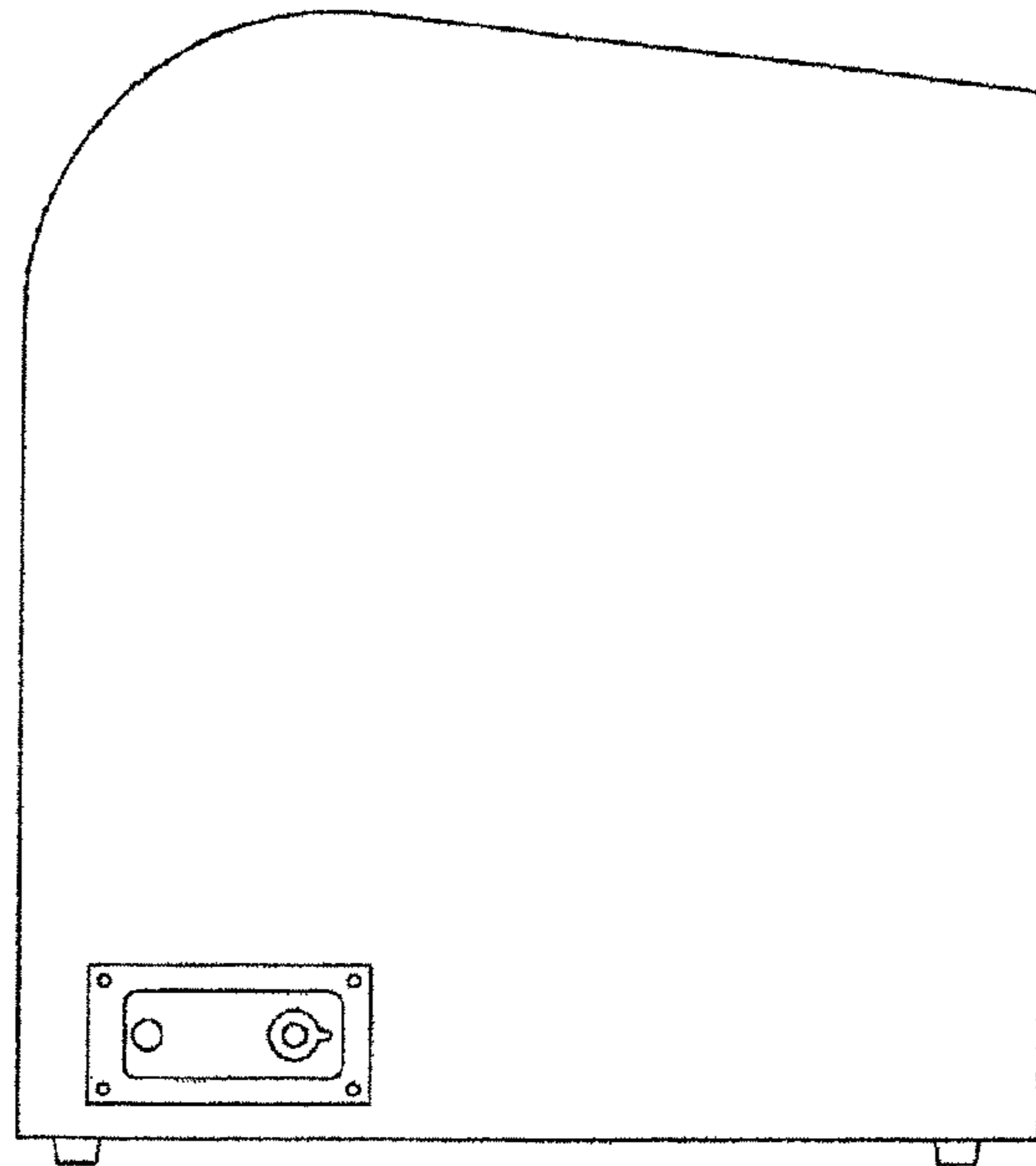


Fig. 5

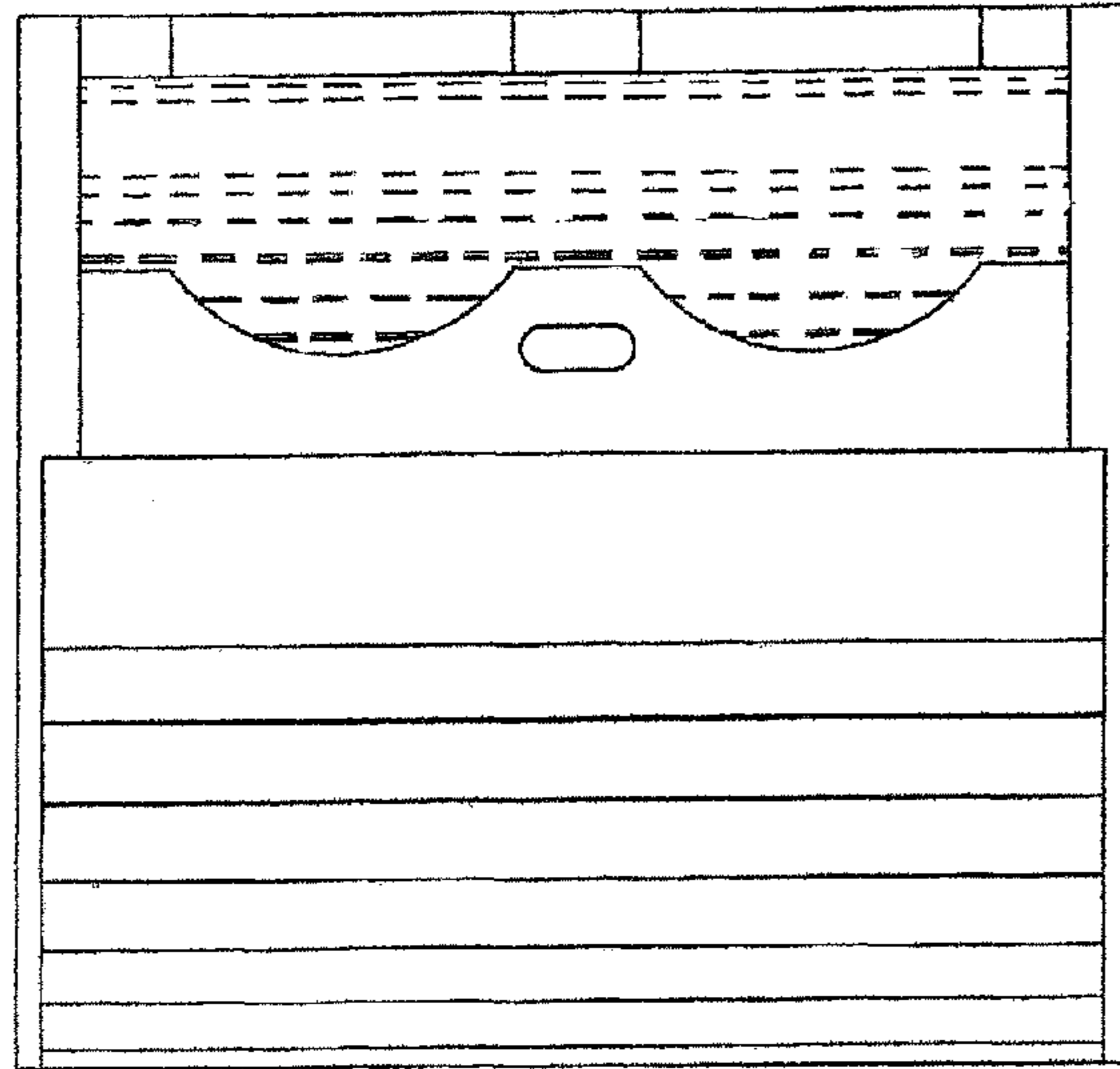


Fig. 6

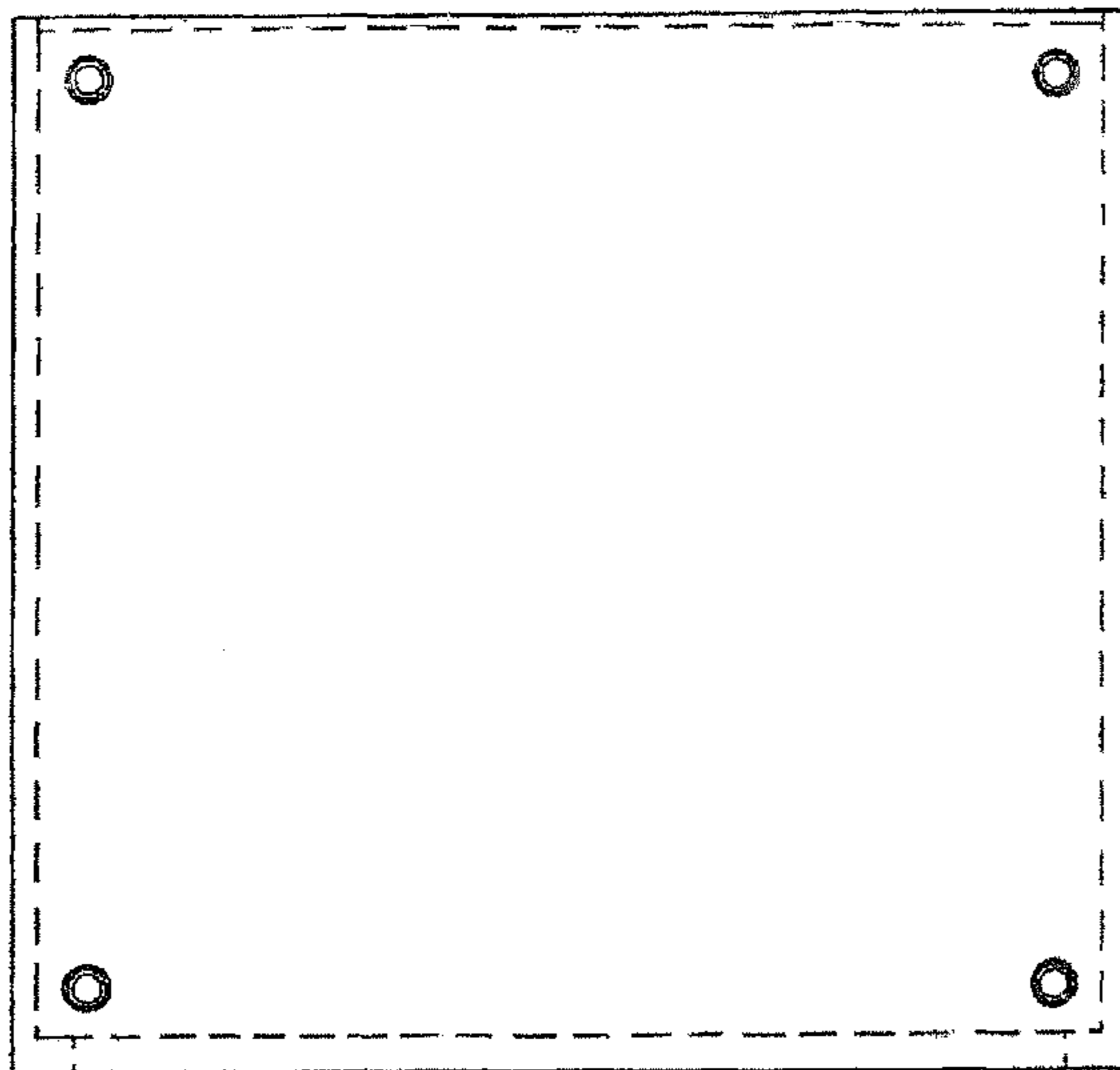


Fig. 7

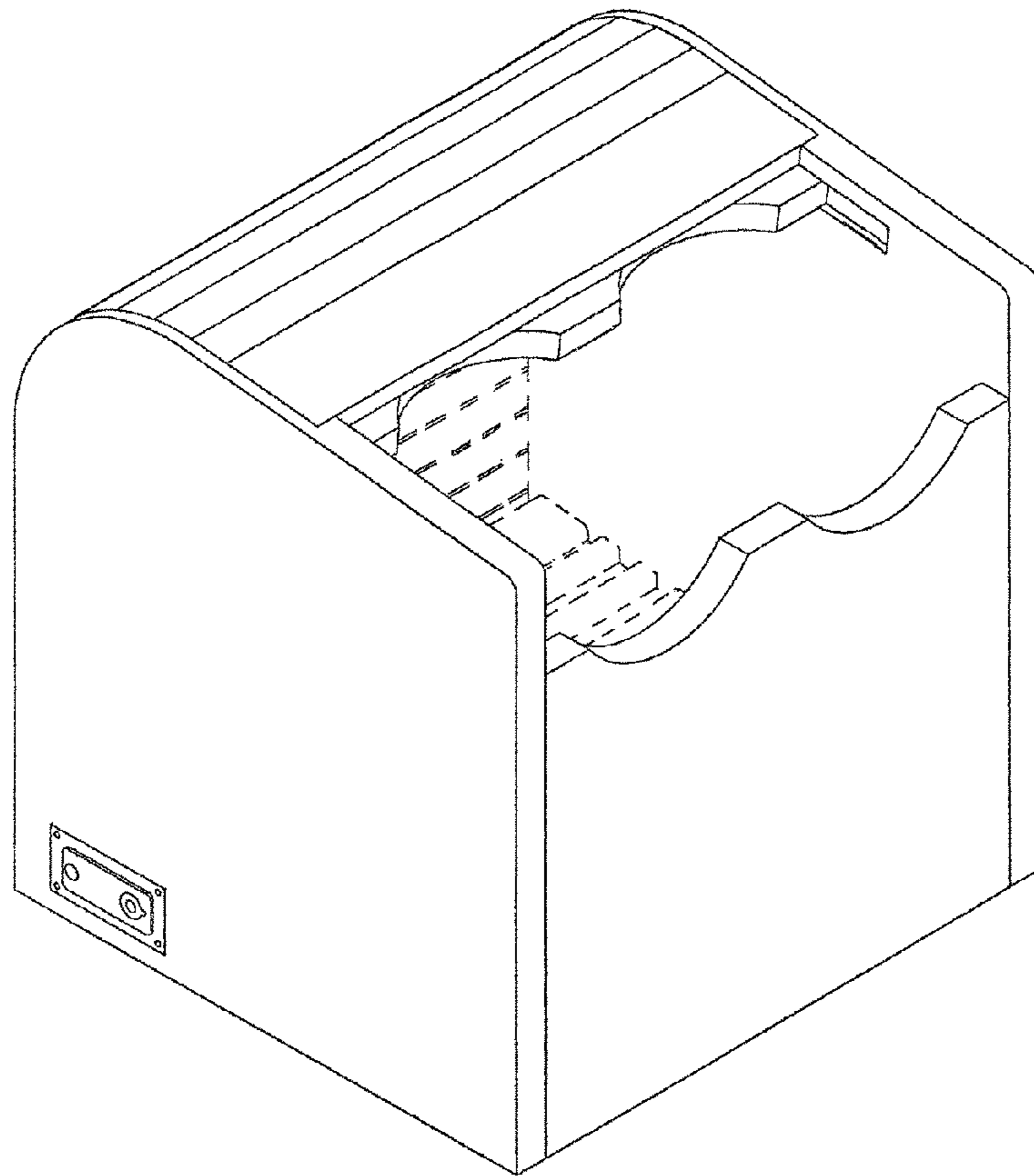


Fig. 8