



US00D732176S

(12) **United States Design Patent**
Wagner

(10) **Patent No.:** **US D732,176 S**
(45) **Date of Patent:** **** Jun. 16, 2015**

- (54) **ORTHOSIS**
- (71) Applicant: **Helmut Wagner**, Duderstadt (DE)
- (72) Inventor: **Helmut Wagner**, Duderstadt (DE)
- (**) Term: **14 Years**
- (21) Appl. No.: **29/479,287**
- (22) Filed: **Jan. 14, 2014**

2011/0319799	A1 *	12/2011	Silva	602/16
2012/0143112	A1 *	6/2012	Tomiyama et al.	602/27
2012/0330206	A1 *	12/2012	George	602/27
2013/0046218	A1 *	2/2013	Wiggin et al.	602/16
2013/0046222	A1 *	2/2013	Gizzi	602/28
2013/0072841	A1 *	3/2013	Bader	602/27
2013/0131569	A1 *	5/2013	Blum et al.	602/27
2014/0257162	A1 *	9/2014	Falkenman et al.	602/27

Related U.S. Application Data

- (63) Continuation of application No. 29/436,005, filed on Oct. 31, 2012, now abandoned.

Foreign Application Priority Data

- May 10, 2012 (DE) 40 2012 100 365
- (51) **LOC (10) Cl.** **24-01**
- (52) **U.S. Cl.**
USPC **D24/192**
- (58) **Field of Classification Search**
USPC D24/190, 192; 602/16, 23, 27, 28, 46;
36/19.5, 140; 224/222
CPC ... A61F 5/0111; A61F 5/0127; A61F 5/0113;
A61F 5/0123; A61F 2/66; A61F 5/0104
See application file for complete search history.

References Cited

U.S. PATENT DOCUMENTS

D373,194	S *	8/1996	Grifka	D24/192
D457,639	S *	5/2002	McCoy	D24/192
7,413,555	B2 *	8/2008	Wagner et al.	602/27
D583,062	S *	12/2008	Nace	D24/192
2006/0264795	A1 *	11/2006	Christensen	602/27
2006/0270958	A1 *	11/2006	George	602/28
2008/0300525	A1 *	12/2008	Shlomovitz	602/28
2009/0198166	A1 *	8/2009	Shlomovitz	602/28
2010/0274166	A1 *	10/2010	Terrio	602/23
2011/0105969	A1 *	5/2011	Nace	602/16

FOREIGN PATENT DOCUMENTS

EP 2 563 300 B1 3/2011

OTHER PUBLICATIONS

Hyperlink REHADAT "UFO Unterschenkelführungsorthese Typ I"
Manufacturer: Wilhelm Julius Teufel GmbH; <http://www.rehadat-hilfsmittel.de/de/suche/index.html?infobox=/infobox1.html>
&serviceCounter=1&wsdb=TEC&connectdb=hilfsmittel_detail
&referenznr=OU/02166&from=1&anzahl=5&detailCounter=1
&suche=index.html?suchbegriffe=valenser+Schiene&extisolink,
Mar. 5, 2009.

(Continued)

Primary Examiner — George D Kirschbaum

Assistant Examiner — Jennifer Watkins

(74) *Attorney, Agent, or Firm* — Thomas | Horstemeyer, LLP

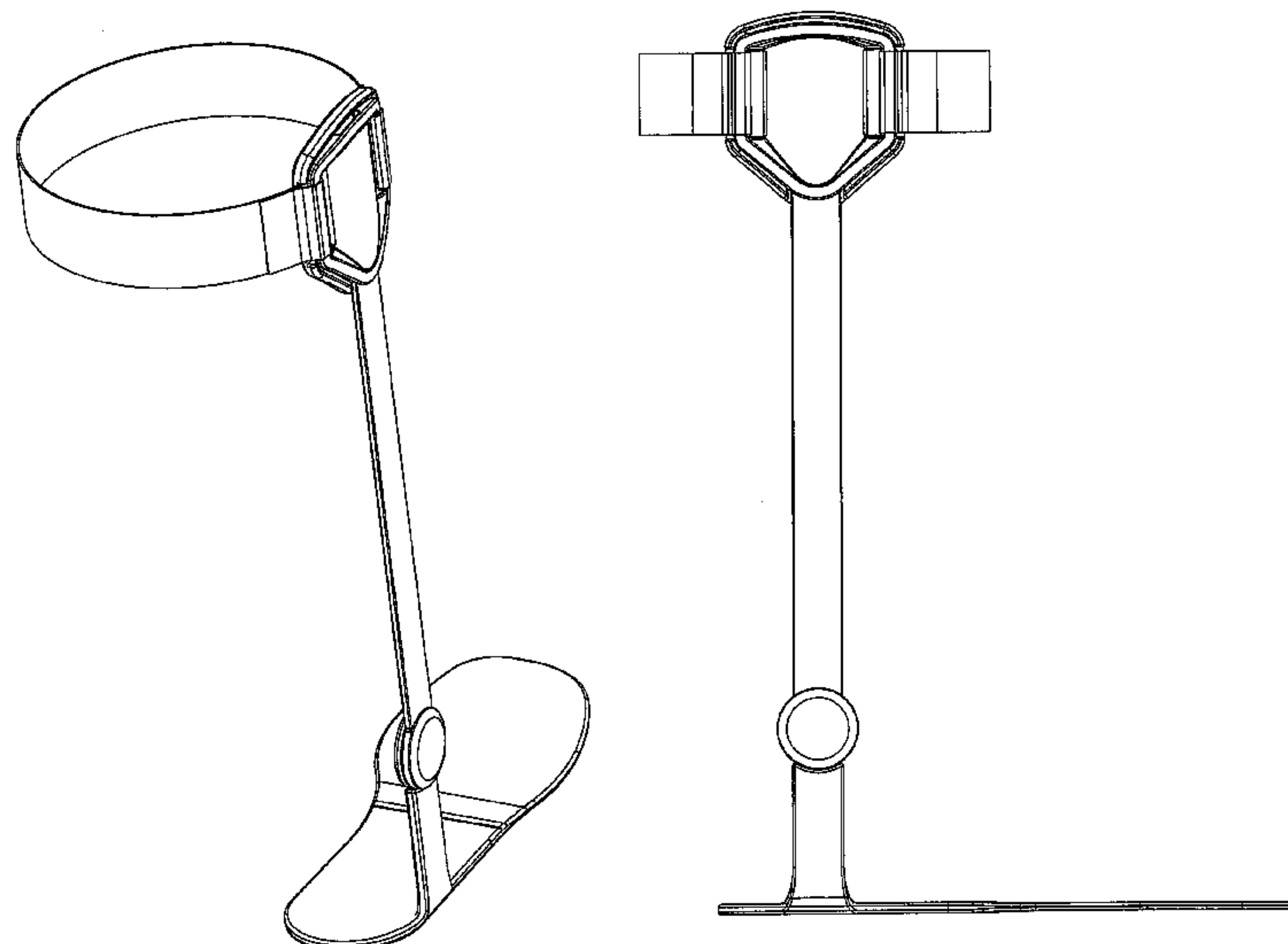
(57) **CLAIM**

The ornamental design of an orthosis, as shown and described.

DESCRIPTION

FIG. 1 is a perspective view showing my new orthosis;
FIG. 2 is a top side view thereof;
FIG. 3 is a bottom view thereof;
FIG. 4 is a front view thereof;
FIG. 5 is a back view thereof; and
FIG. 6 is a right side view thereof; and,
FIG. 7 is the left side view thereof.

1 Claim, 7 Drawing Sheets



(56)

References Cited

OTHER PUBLICATIONS

Hyperlink REHADAT "UFO Unterschenkelführungsorthese Typ III" Manufacturer: Wilhelm Julius Teufel GmbH http://www.rehadat-hilfsmittel.de/de/suche/index.html?infobox=/infobox1.html&serviceCounter=1&wsdb=TEC&connectdb=hilfsmittel_detail&referenznr=OU/02168&from=1&anzahl=5&detailCounter=3&suche=index.html?suchbegriffe=valenser+Schiene&extisolink, Mar. 5, 2009.

Hyperlink REHADAT "Valenser Schiene" http://www.rehadat-hilfsmittel.de/de/suche/index.html?infobox=/infobox1.html&serviceCounter=1&wsdb=TEC&connectdb=hilfsmittel_detail&referenznr=OU/00614&from=1&anzahl=5&detailCounter=0&suche=index.html?suchbegriffe=%22VALENSER+SCHIENE%22&extisolink, Sep. 27, 2006.

* cited by examiner

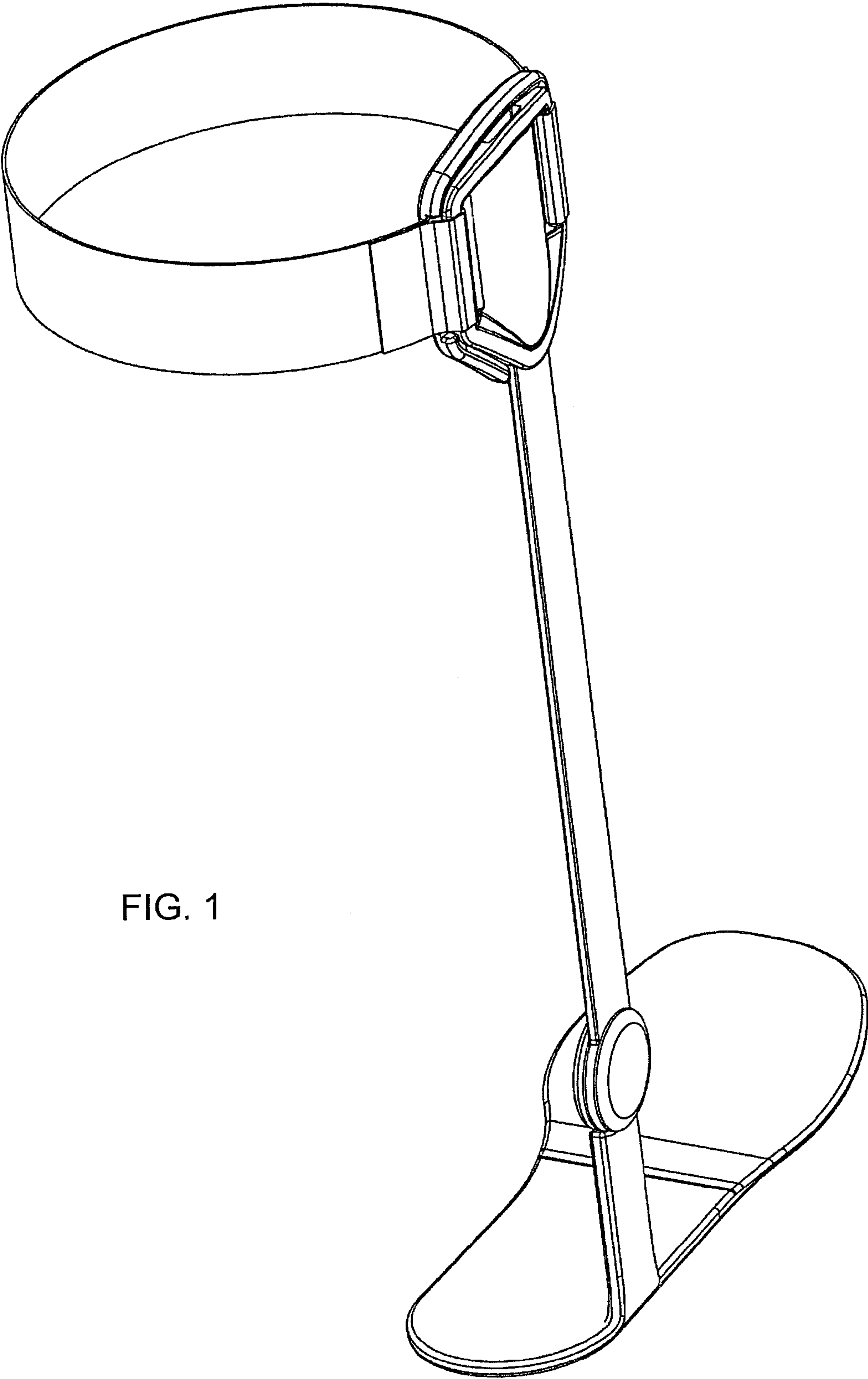


FIG. 1

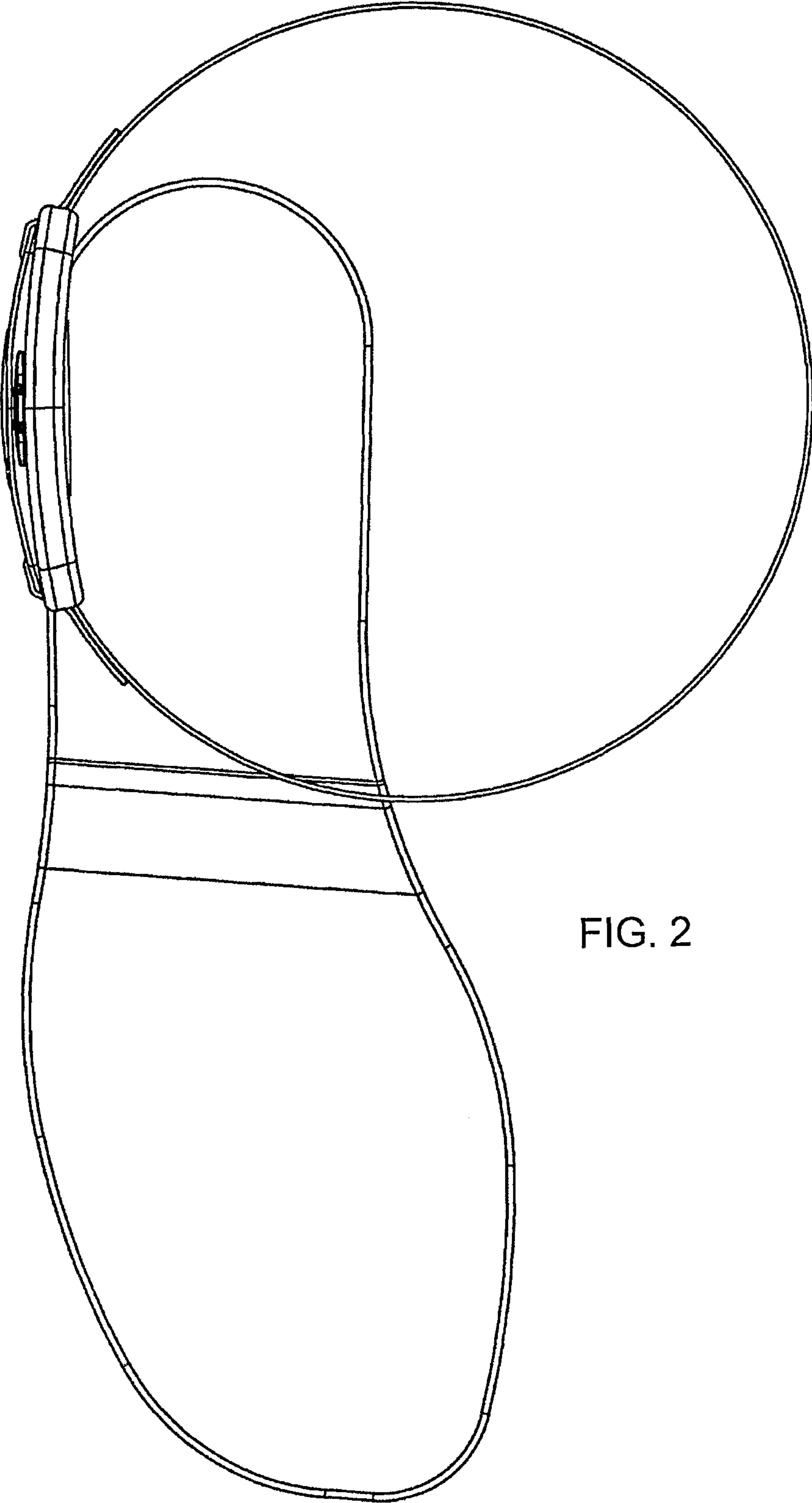


FIG. 2

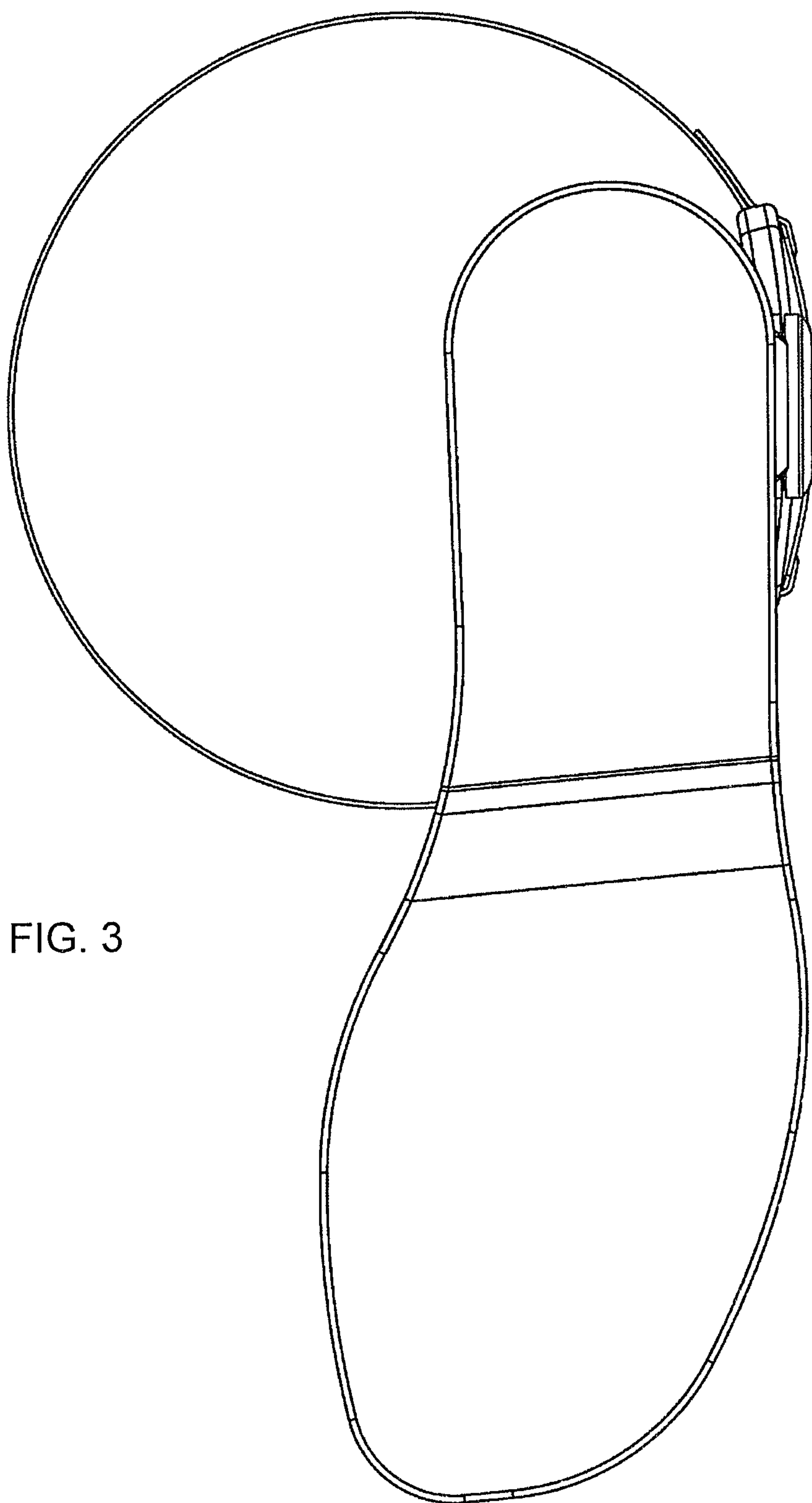


FIG. 3

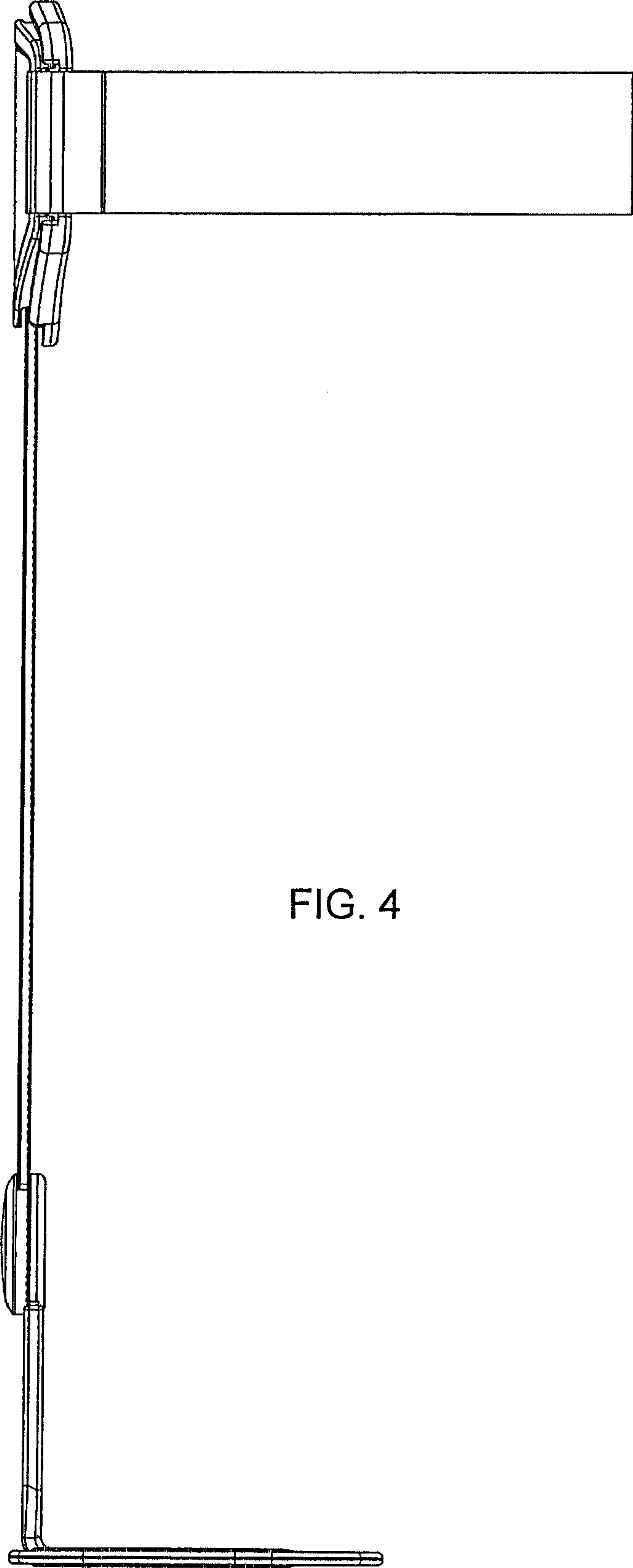


FIG. 4

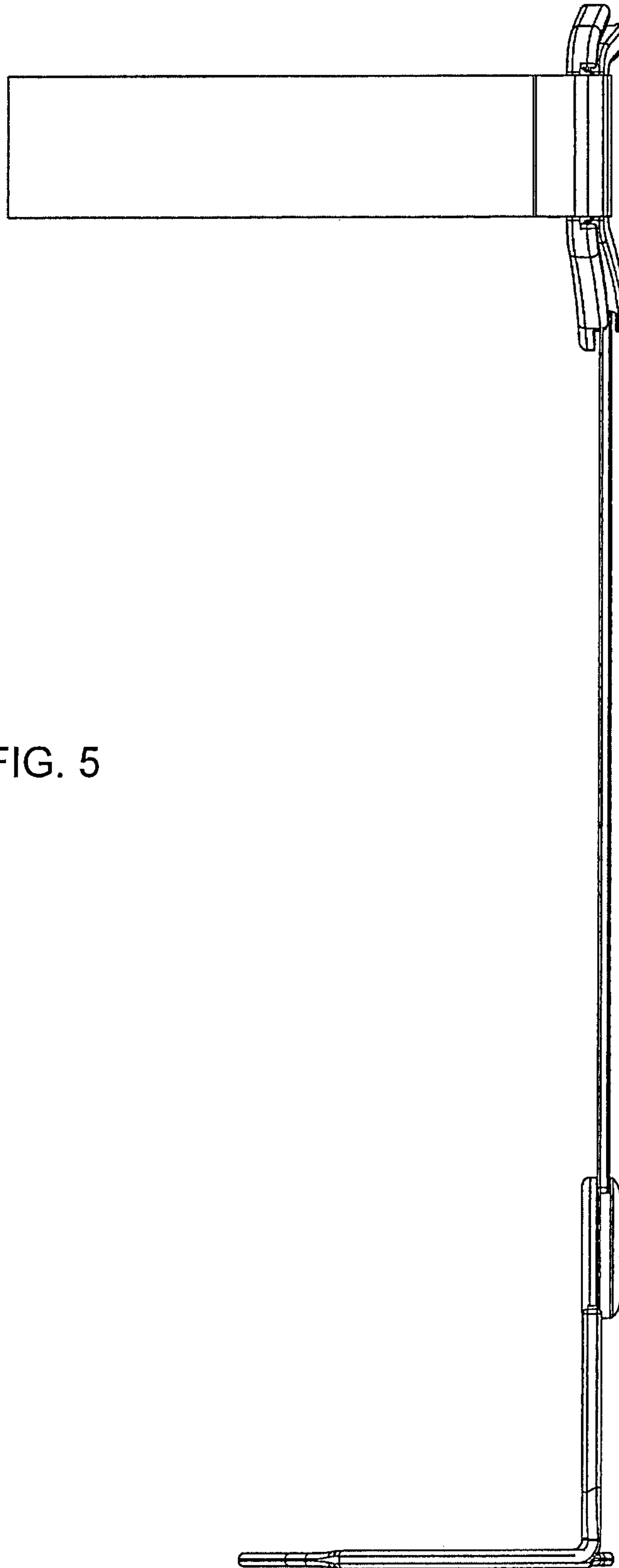


FIG. 5

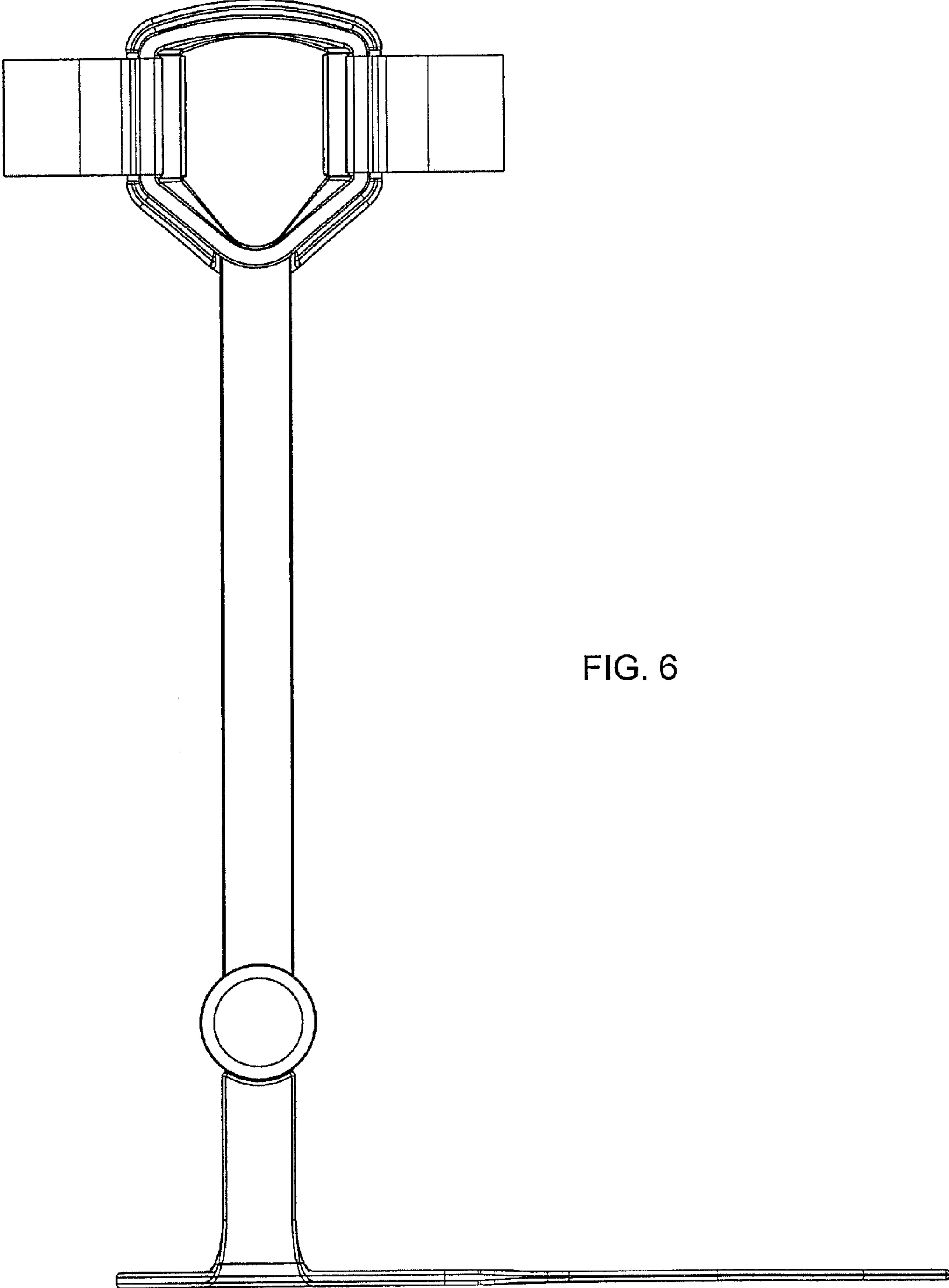


FIG. 6

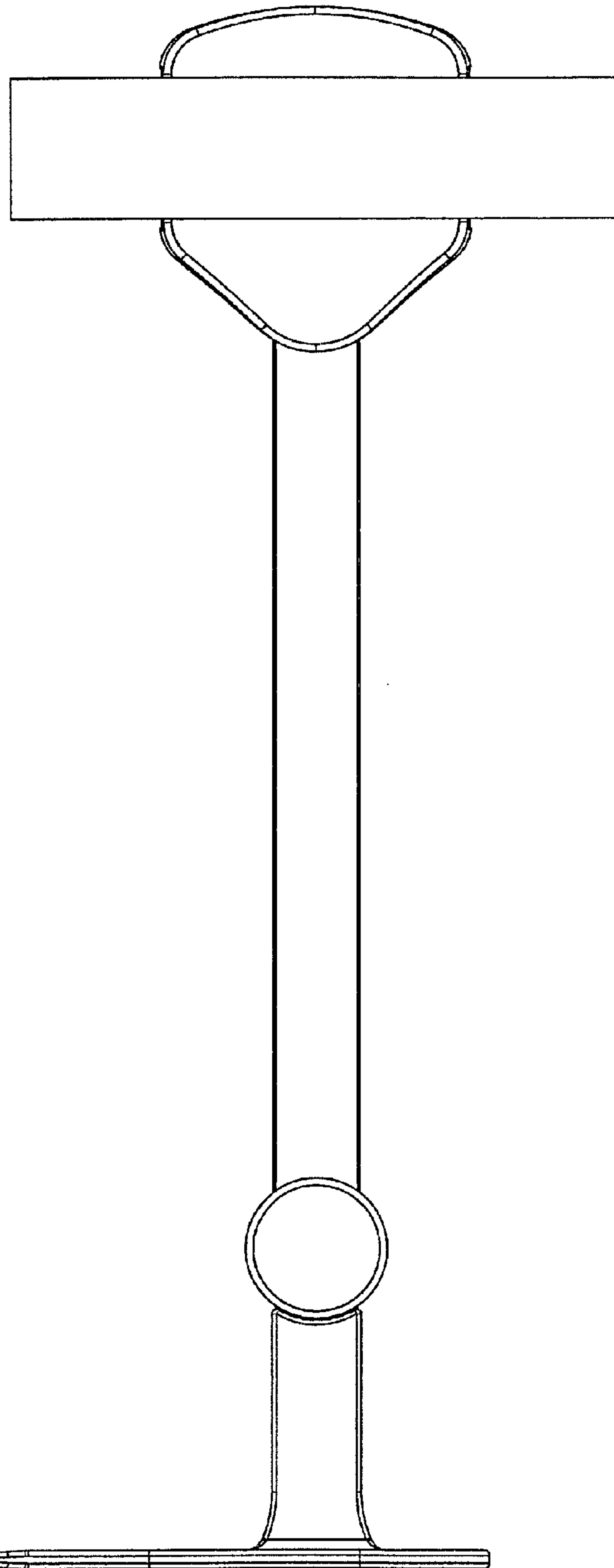


FIG. 7