



US00D732175S

(12) **United States Design Patent**  
**Snyder et al.**

(10) **Patent No.:** **US D732,175 S**  
(45) **Date of Patent:** **\*\* Jun. 16, 2015**

- (54) **MONITORING HUB**
- (71) Applicant: **Thermocline Ventures LLC**, Raleigh, NC (US)
- (72) Inventors: **Graham E. Snyder**, Raleigh, NC (US);  
**Charles Curtiss Hunt**, Wake Forest, NC (US)
- (73) Assignee: **Seal Innovation Inc.**, Raleigh, NC (US)
- (\*\*) Term: **14 Years**
- (21) Appl. No.: **29/460,064**
- (22) Filed: **Jul. 8, 2013**
- (51) **LOC (10) Cl.** ..... **24-01**
- (52) **U.S. Cl.**  
USPC ..... **D24/186**; D10/104.2
- (58) **Field of Classification Search**  
USPC ..... D24/186–187, 167, 164, 231;  
D21/803–805; D9/531, 528, 504, 527,  
D9/510, 745; D7/608, 313, 510;  
340/573.6, 604, 984, 573.1, 539.26,  
340/566, 557, 539.11, 552; D10/104.1,  
D10/104.2, 107, 121; 116/211; D22/146;  
D12/168; D3/211; D14/480.5  
See application file for complete search history.

5,900,817	A *	5/1999	Olmassakian	.....	340/573.6
5,945,912	A *	8/1999	Guldbrand	.....	340/573.1
6,064,309	A *	5/2000	Sellers et al.	.....	340/539.26
6,133,838	A *	10/2000	Meniere	.....	340/566
D439,038	S *	3/2001	Hinkle	.....	D3/211
D445,690	S *	7/2001	Ekkert	.....	D9/504
D451,810	S *	12/2001	Weinstock	.....	D9/524
D510,871	S *	10/2005	Nielson	.....	D9/527
D539,608	S *	4/2007	Lapsker	.....	D7/510
7,218,235	B1 *	5/2007	Rainey	.....	340/557
D594,524	S *	6/2009	Oliva	.....	D21/803
7,642,921	B2 *	1/2010	Cutler et al.	.....	340/573.6
D622,089	S *	8/2010	Daniel et al.	.....	D7/313
D623,896	S *	9/2010	Wahl et al.	.....	D7/510
D624,551	S *	9/2010	Cohen	.....	D14/480.5
D640,569	S *	6/2011	Alongi et al.	.....	D9/745
D668,308	S *	10/2012	Gilmore et al.	.....	D21/803
2008/0278338	A1 *	11/2008	Krell	.....	340/573.6
2009/0295566	A1 *	12/2009	Weintraub	.....	340/539.11
2011/0273291	A1 *	11/2011	Adams	.....	340/552

\* cited by examiner

*Primary Examiner* — T. Chase Nelson

*Assistant Examiner* — Mark Cavanna

(74) *Attorney, Agent, or Firm* — Myers Bigel Sibley & Sajovec, PA

(57) **CLAIM**

The ornamental design for a monitoring hub, as shown and described.

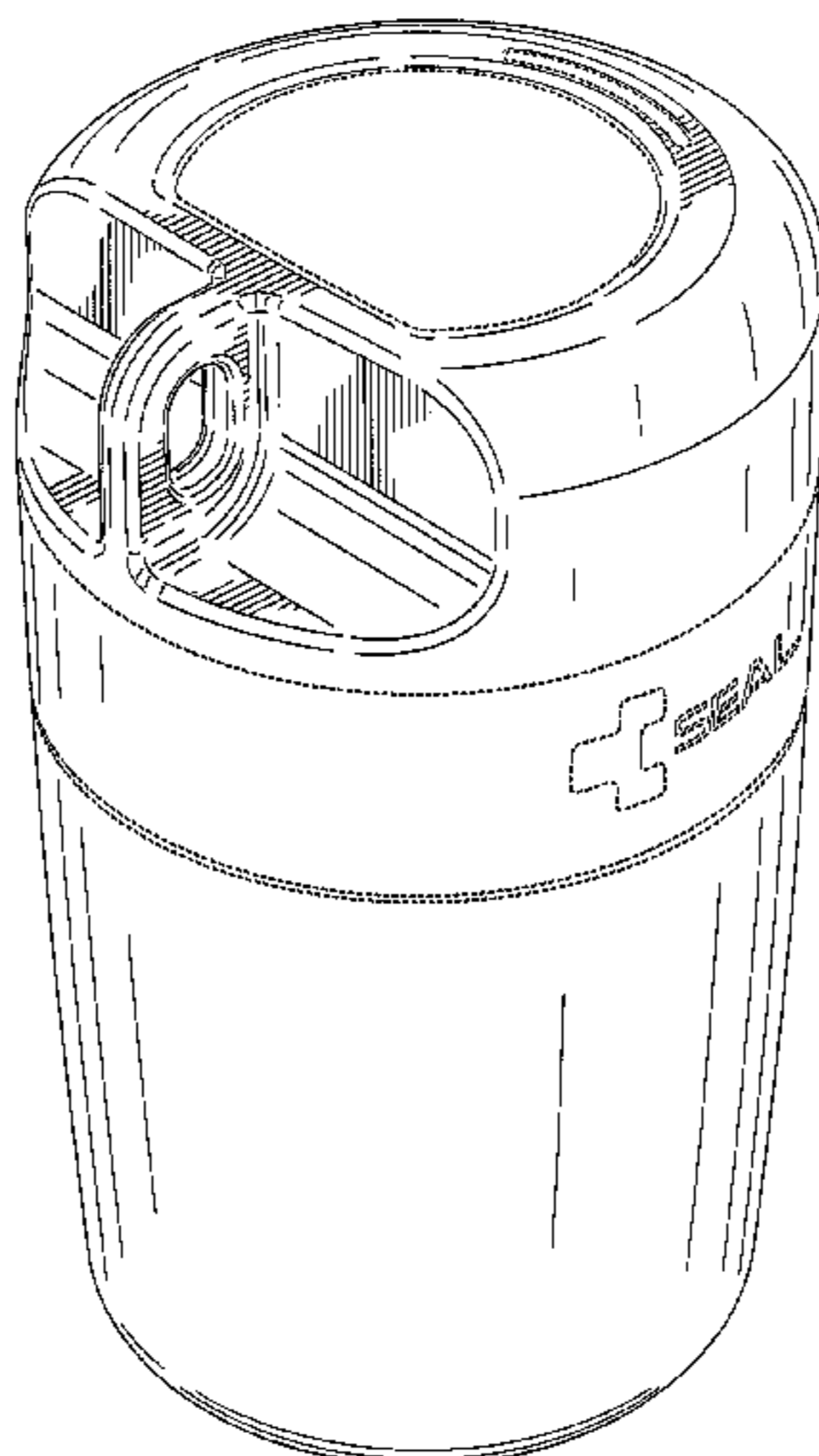
**DESCRIPTION**

FIG. 1 is a back perspective view of the monitoring hub showing our design;  
 FIG. 2 is a front perspective view thereof;  
 FIG. 3 is a back view thereof;  
 FIG. 4 is a front view thereof;  
 FIG. 5 is a side view thereof;  
 FIG. 6 is an opposing side view thereof;  
 FIG. 7 is a bottom view thereof; and,  
 FIG. 8 is a top view thereof.  
 The broken lines shown herein are for illustrative purposes only and form no part of the claimed design.

**1 Claim, 8 Drawing Sheets**

(56) **References Cited**  
 U.S. PATENT DOCUMENTS

D194,630	S *	2/1963	Worthington	.....	D9/531
D194,956	S *	4/1963	Price	.....	D9/531
D212,319	S *	10/1968	Hills	.....	D9/528
D216,421	S *	1/1970	Anderson	.....	D9/531
D279,346	S *	6/1985	Ruxton	.....	D7/608
4,527,504	A *	7/1985	Byerley	.....	116/211
D291,905	S *	9/1987	Brachear	.....	D22/146
D297,627	S *	9/1988	Patton	.....	D12/168
5,091,714	A *	2/1992	de Solminihac	.....	340/573.6
D325,165	S *	4/1992	Feen	.....	D9/531
D358,334	S *	5/1995	Manderfield, Jr.	.....	D9/531
5,619,187	A *	4/1997	Serfontein	.....	340/604
5,886,635	A *	3/1999	Landa et al.	.....	340/984



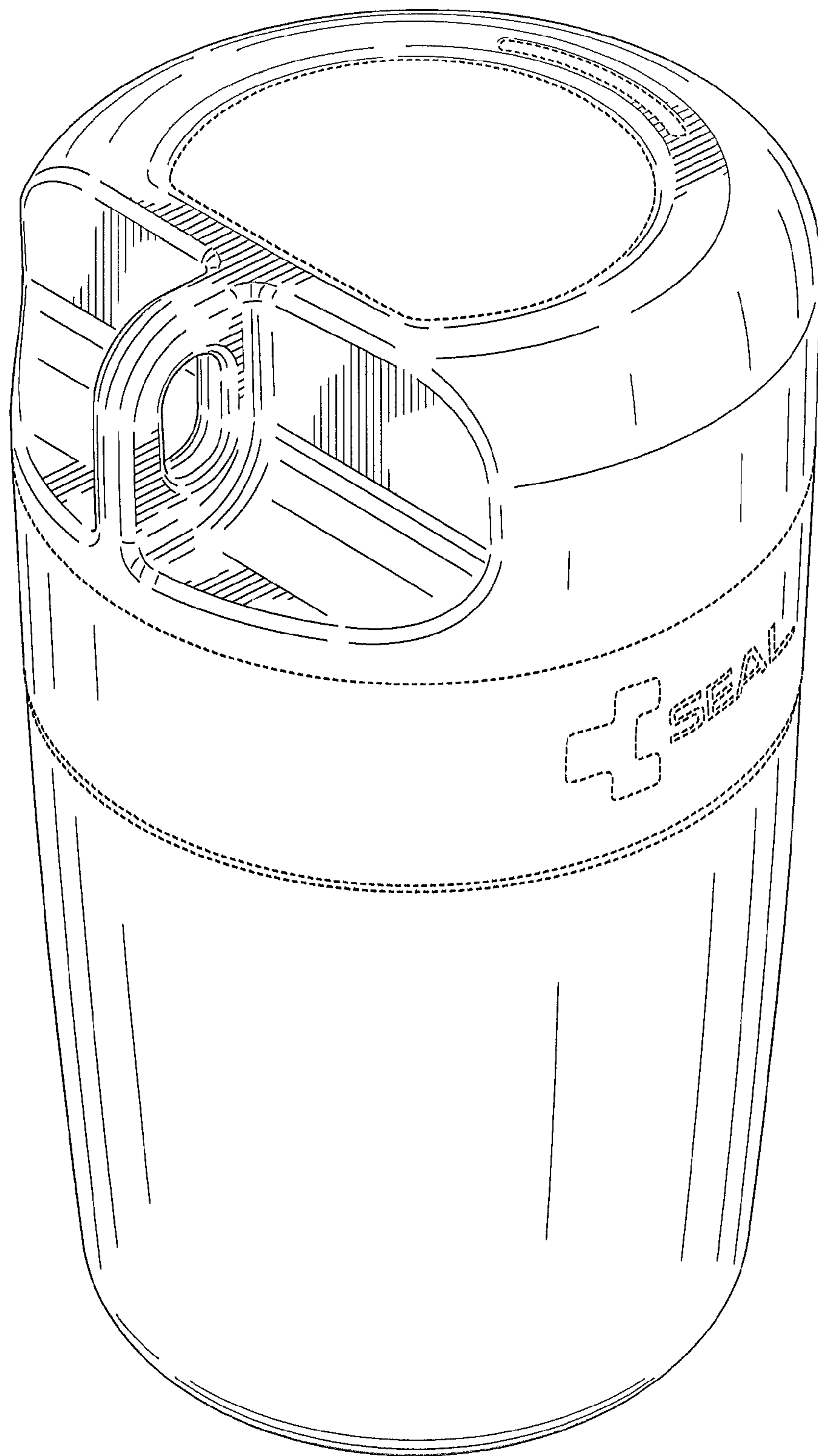


FIG. 1

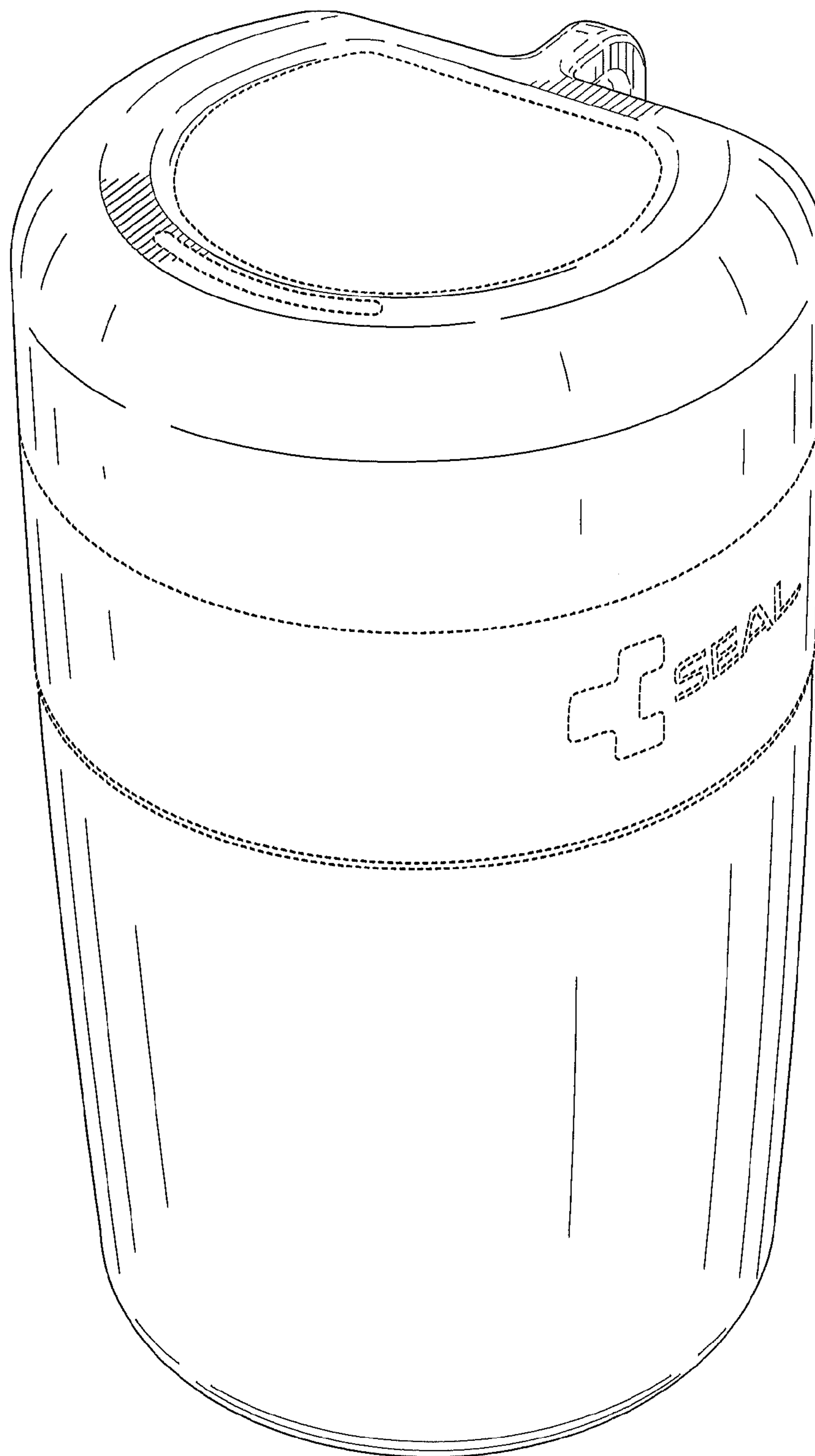


FIG. 2

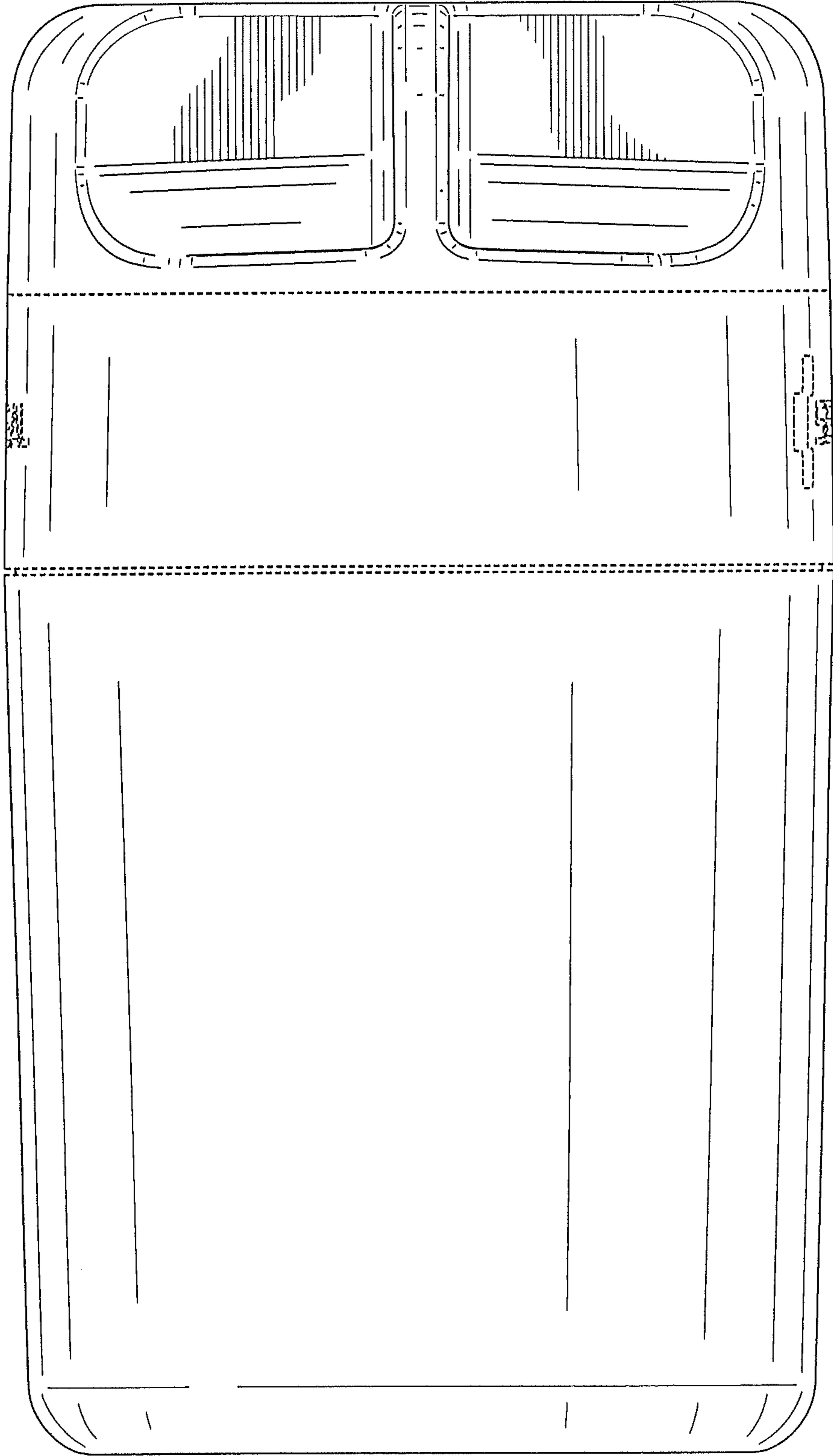


FIG. 3

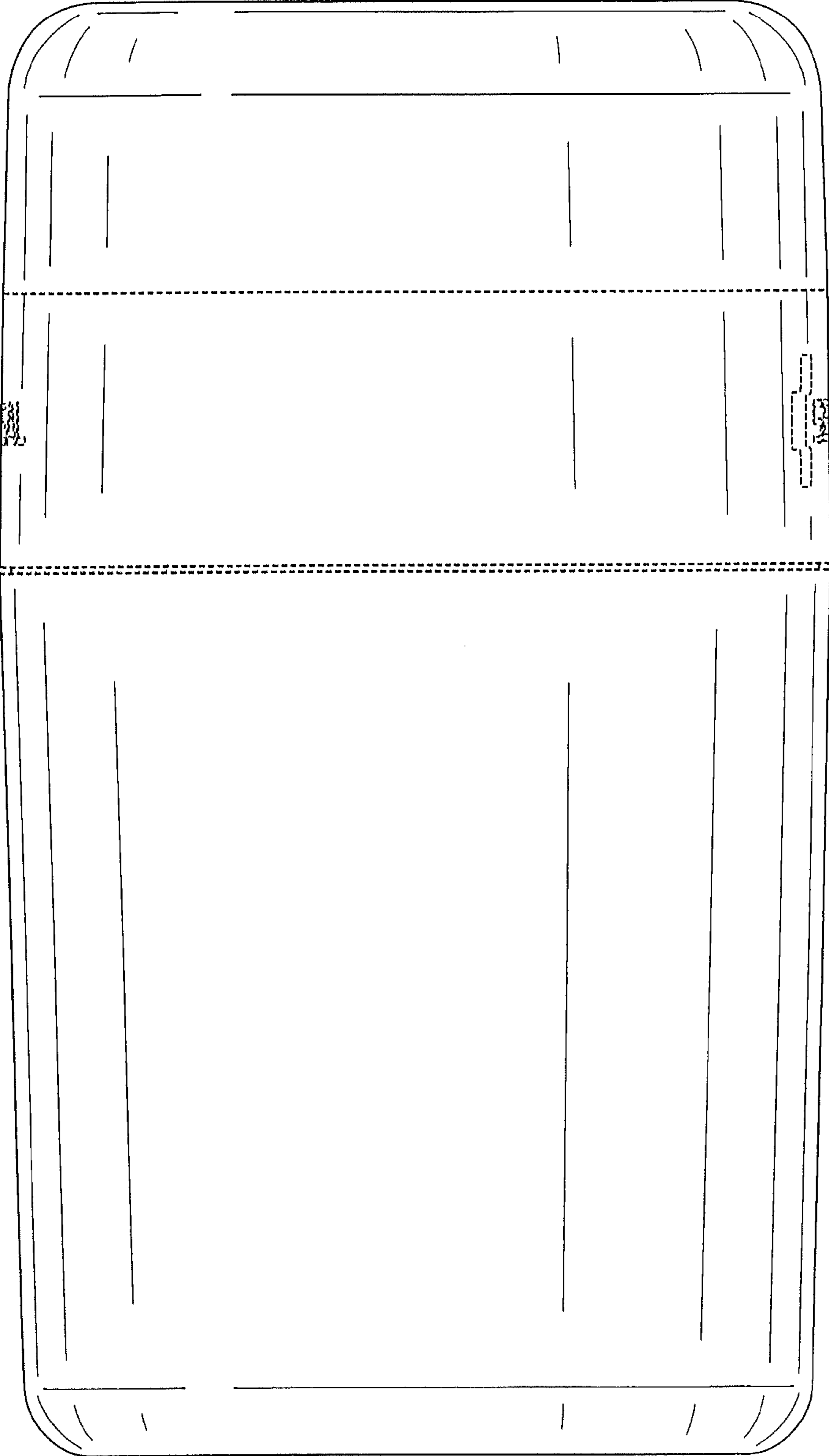


FIG. 4



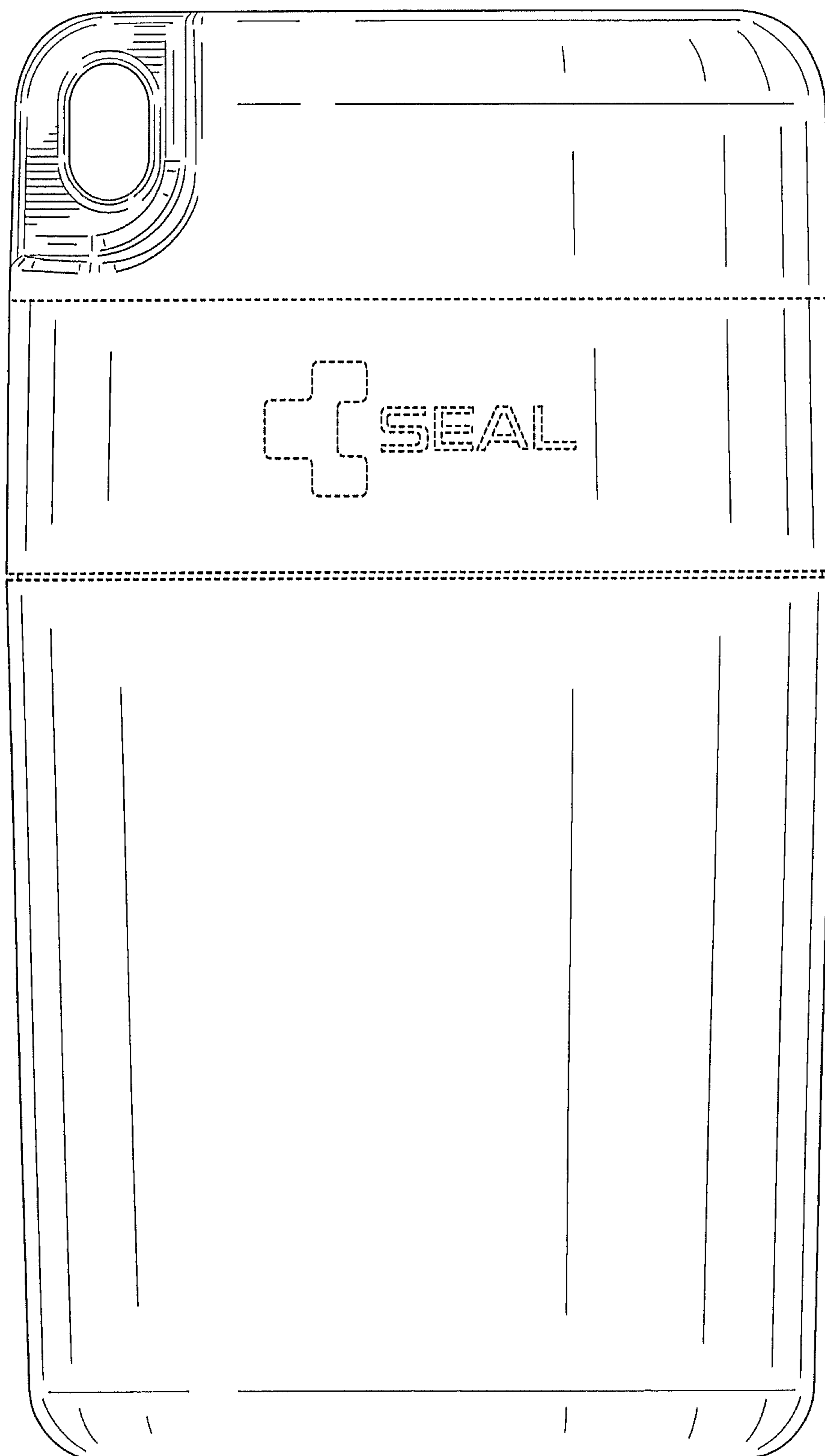


FIG. 5

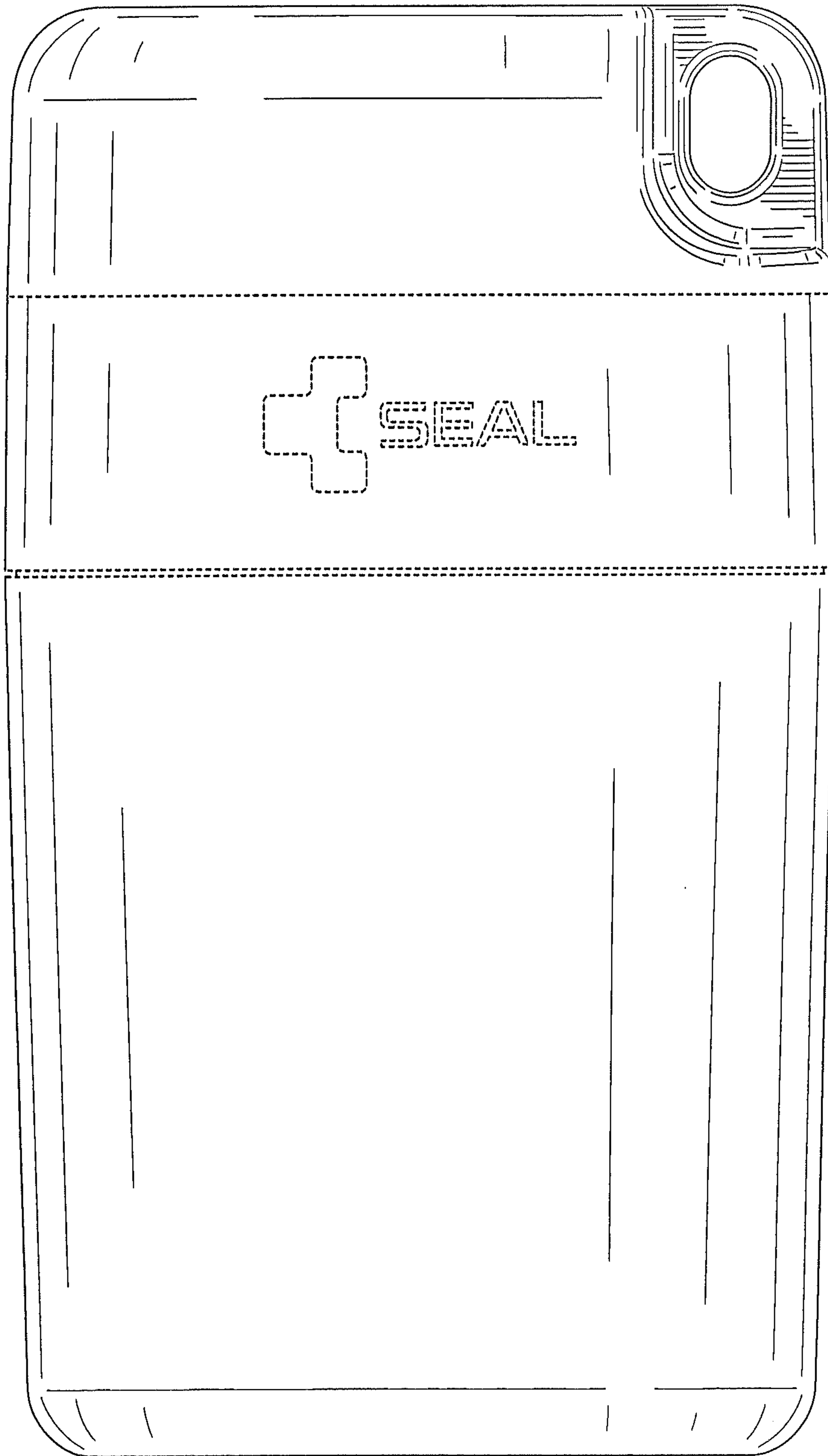


FIG. 6

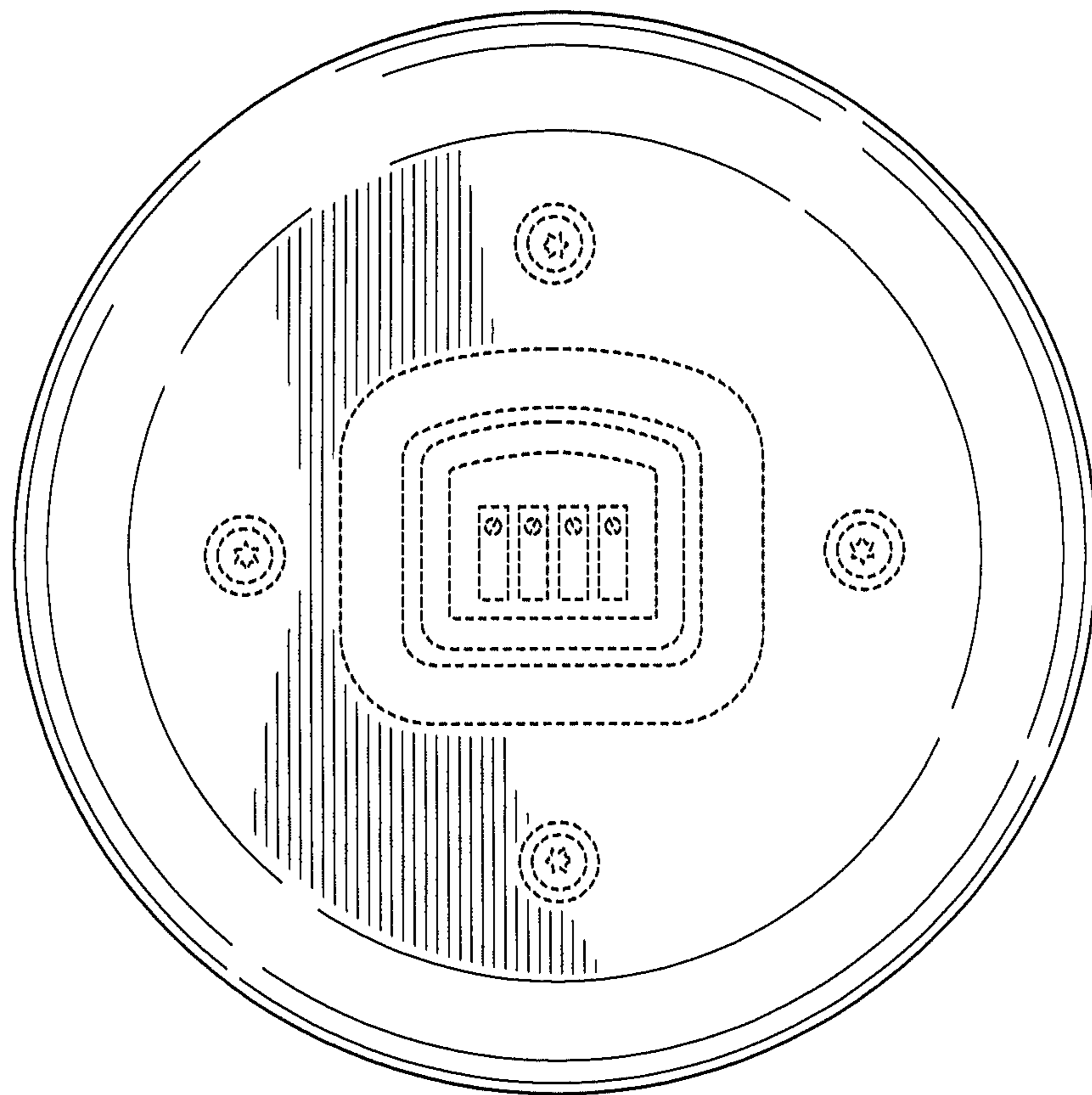


FIG. 7



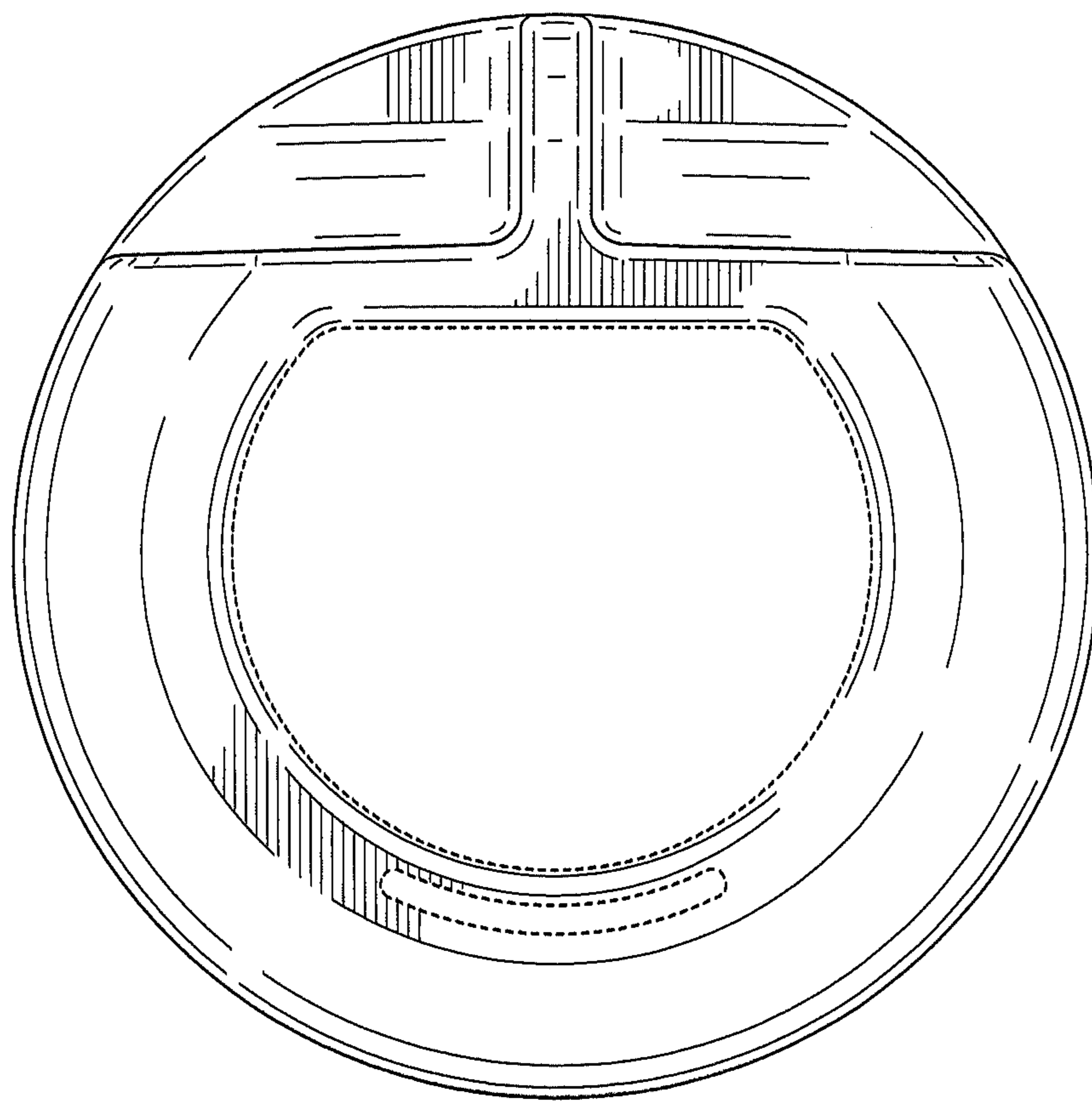


FIG. 8