



US00D732168S

(12) **United States Design Patent**  
**Terleski et al.**

(10) **Patent No.:** **US D732,168 S**  
(45) **Date of Patent:** **\*\* \*Jun. 16, 2015**

(54) **PROSTHETIC KNEE**

FOREIGN PATENT DOCUMENTS

(71) Applicant: **LIMBS International Inc.**, El Paso, TX  
(US)

DE 417623 8/1925  
DE 808743 7/1951

(Continued)

(72) Inventors: **Timothy W. Terleski**, Richardson, TX  
(US); **Roger V. Gonzalez**, El Paso, TX  
(US); **Cesar Ernesto Cantu**, El Paso,  
TX (US); **Robert K. LaSalle**, Fort  
Worth, TX (US)

OTHER PUBLICATIONS

ISR/WO for PCT Application No. PCT/US2014/012557 mailed May  
1, 2014, 29 pages.

(Continued)

(73) Assignee: **LIMBS International Inc.**, El Paso, TX  
(US)

*Primary Examiner* — Ian Simmons  
*Assistant Examiner* — Charles Hanson

(\*) Notice: This patent is subject to a terminal dis-  
claimer.

(74) *Attorney, Agent, or Firm* — Fish & Richardson P.C.

(\*\*) Term: **14 Years**

(57)

**CLAIM**

The ornamental design for a prosthetic knee, as shown and  
described.

(21) Appl. No.: **29/464,611**

**DESCRIPTION**

(22) Filed: **Aug. 19, 2013**

(51) **LOC (10) Cl.** ..... **24-02**

(52) **U.S. Cl.**  
USPC ..... **D24/155**

(58) **Field of Classification Search**  
USPC ..... D24/155; 623/26–28, 32–36, 38;  
135/65  
CPC ..... A61F 2/80; A61F 2/60; A61F 2/76;  
A61F 2/68; A61F 2220/0025; A61F 2/64;  
A61F 2002/607; A61F 2220/0041; A61F  
2002/5007; A61F 2002/802  
See application file for complete search history.

FIG. 1 is a top right front perspective view of a first embodi-  
ment of a prosthetic knee;  
FIG. 2 is a front view thereof;  
FIG. 3 is a back view thereof;  
FIG. 4 is a right view thereof;  
FIG. 5 is a left view thereof;  
FIG. 6 is a top view thereof;  
FIG. 7 is a bottom view thereof;  
FIG. 8 is a bottom right front perspective view thereof;  
FIG. 9 is a top right front perspective view of a second  
embodiment of a prosthetic knee;  
FIG. 10 is a front view thereof;  
FIG. 11 is a back view thereof;  
FIG. 12 is a right view thereof;  
FIG. 13 is a left view thereof;  
FIG. 14 is a top view thereof;  
FIG. 15 is a bottom view thereof; and,  
FIG. 16 is a bottom right front perspective view thereof.  
The broken lines which define the bounds of the claimed  
design form no part thereof.

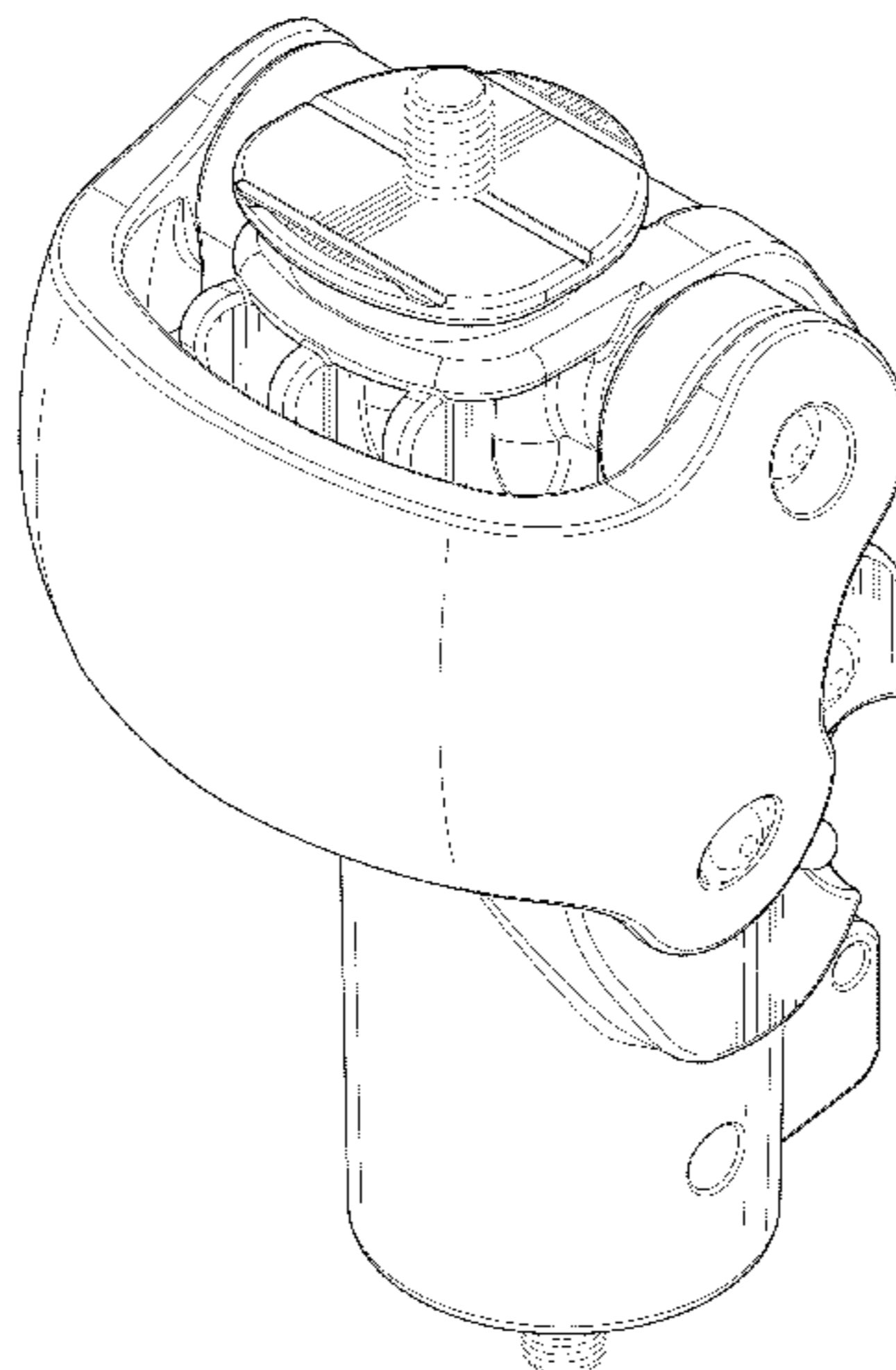
(56) **References Cited**

U.S. PATENT DOCUMENTS

3,823,424 A 7/1974 May  
3,969,773 A 7/1976 Menschik  
4,064,569 A 12/1977 Campbell

(Continued)

**1 Claim, 16 Drawing Sheets**



(56)

References Cited

U.S. PATENT DOCUMENTS

4,178,642 A 12/1979 May  
 4,911,709 A 3/1990 Marlow  
 5,181,931 A 1/1993 Van de Veen  
 5,545,232 A 8/1996 Van de Veen  
 5,645,590 A 7/1997 Van de Veen  
 5,746,774 A 5/1998 Kramer et al.  
 5,800,567 A 9/1998 Cooper et al.  
 5,888,236 A 3/1999 Van de Veen  
 6,086,616 A 7/2000 Okuda et al.  
 6,187,051 B1 2/2001 Van de Veen  
 6,187,052 B1 2/2001 Molino et al.  
 D439,339 S \* 3/2001 Sawatzki ..... D24/155  
 6,206,933 B1 3/2001 Shorter et al.  
 D446,304 S \* 8/2001 Sawatzki et al. .... D24/155  
 6,482,236 B2 11/2002 Habecker  
 6,508,843 B2 1/2003 Suzuki  
 6,676,707 B2 1/2004 Yih et al.  
 6,706,074 B1 3/2004 Chen  
 6,749,640 B1 6/2004 Luhrs et al.  
 6,752,835 B2 6/2004 Shen  
 6,808,540 B1 10/2004 Gramnas  
 6,911,050 B2 6/2005 Molino et al.  
 6,997,959 B2 2/2006 Chen et al.  
 7,001,434 B2 2/2006 Van De Veen  
 D522,142 S \* 5/2006 Boiten ..... D24/155  
 7,044,983 B1 5/2006 Cheng  
 D523,959 S \* 6/2006 Muehlenberend ..... D24/155  
 7,066,964 B2 6/2006 Wild  
 D525,709 S \* 7/2006 Boiten ..... D24/155  
 D526,062 S \* 8/2006 Harn et al. .... D24/155  
 D526,412 S \* 8/2006 Harn et al. .... D24/155  
 D527,458 S \* 8/2006 Harn et al. .... D24/155

7,087,090 B2 8/2006 Andrysek et al.  
 7,087,091 B1 8/2006 Chen  
 7,195,647 B2 3/2007 Chen et al.  
 D553,741 S \* 10/2007 Chen ..... D24/155  
 D592,749 S \* 5/2009 Muhlenberend ..... D24/155  
 7,544,214 B2 6/2009 Gramnas  
 7,582,119 B2 9/2009 Chen  
 7,618,463 B2 11/2009 Oddsson et al.  
 D632,790 S \* 2/2011 Cheng ..... D24/155  
 8,231,688 B2 7/2012 Fairbanks et al.  
 D702,347 S \* 4/2014 Noack ..... D24/155  
 D702,348 S \* 4/2014 Noack ..... D24/155  
 2002/0188355 A1 12/2002 Chen  
 2004/0083007 A1 4/2004 Molino et al.  
 2004/0107008 A1 6/2004 Van de Veen  
 2005/0027370 A1 2/2005 Chen et al.  
 2005/0154473 A1 7/2005 Bassett  
 2005/0234562 A1 10/2005 Okuda et al.  
 2007/0255426 A1 11/2007 Reinhardt  
 2008/0071388 A1 3/2008 Chen  
 2012/0253476 A1 10/2012 Cheng et al.

FOREIGN PATENT DOCUMENTS

EP 1849439 10/2007  
 GB 1418496 12/1975  
 WO WO 2009/145753 12/2009  
 WO WO 2011123119 10/2011  
 WO PCT/2012/119156 9/2012

OTHER PUBLICATIONS

SPS Prosthetic Catalog 2008-2009, "Knee Joints," pp. 73-91.

\* cited by examiner

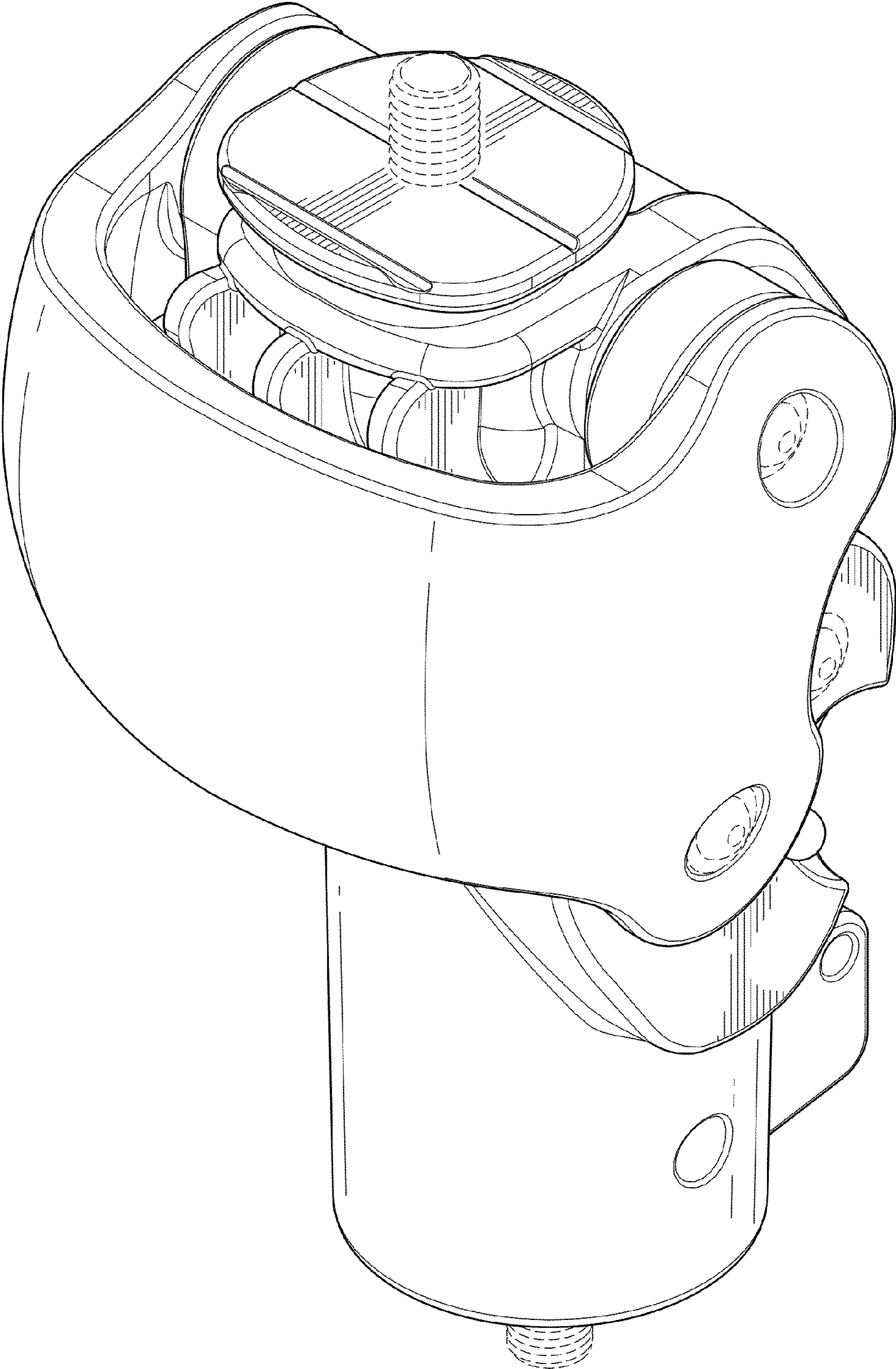


FIG. 1

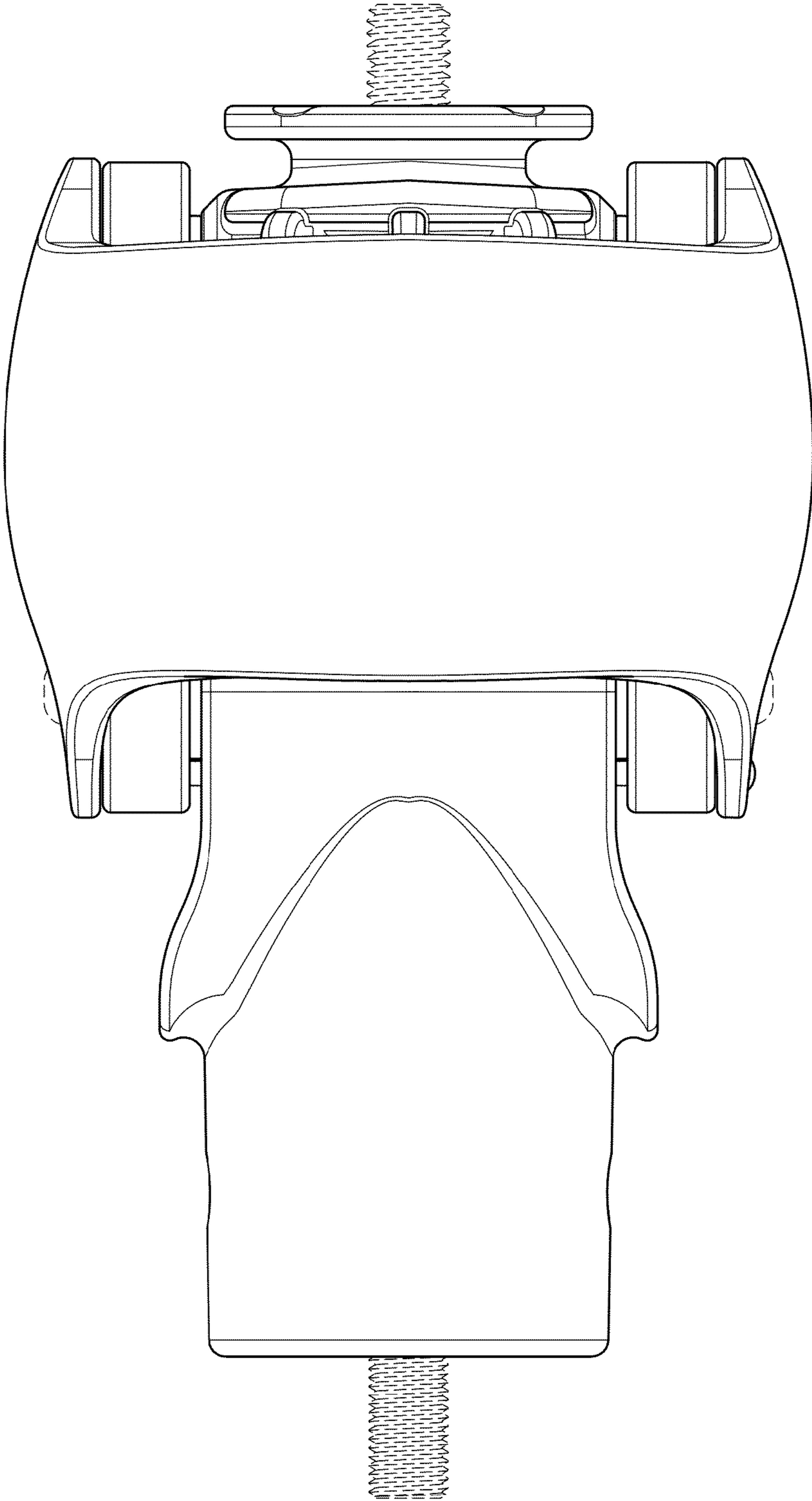


FIG. 2

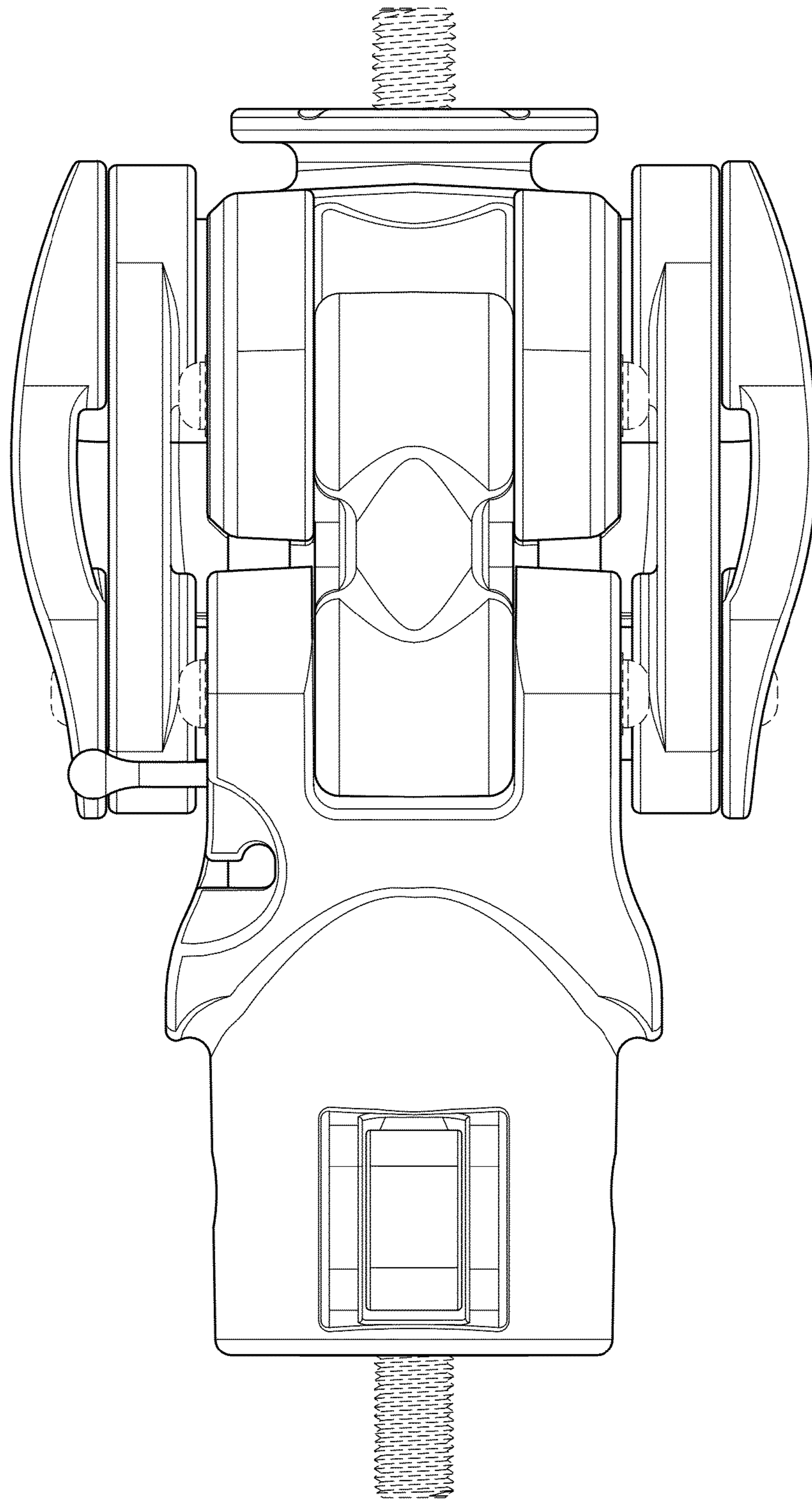


FIG. 3

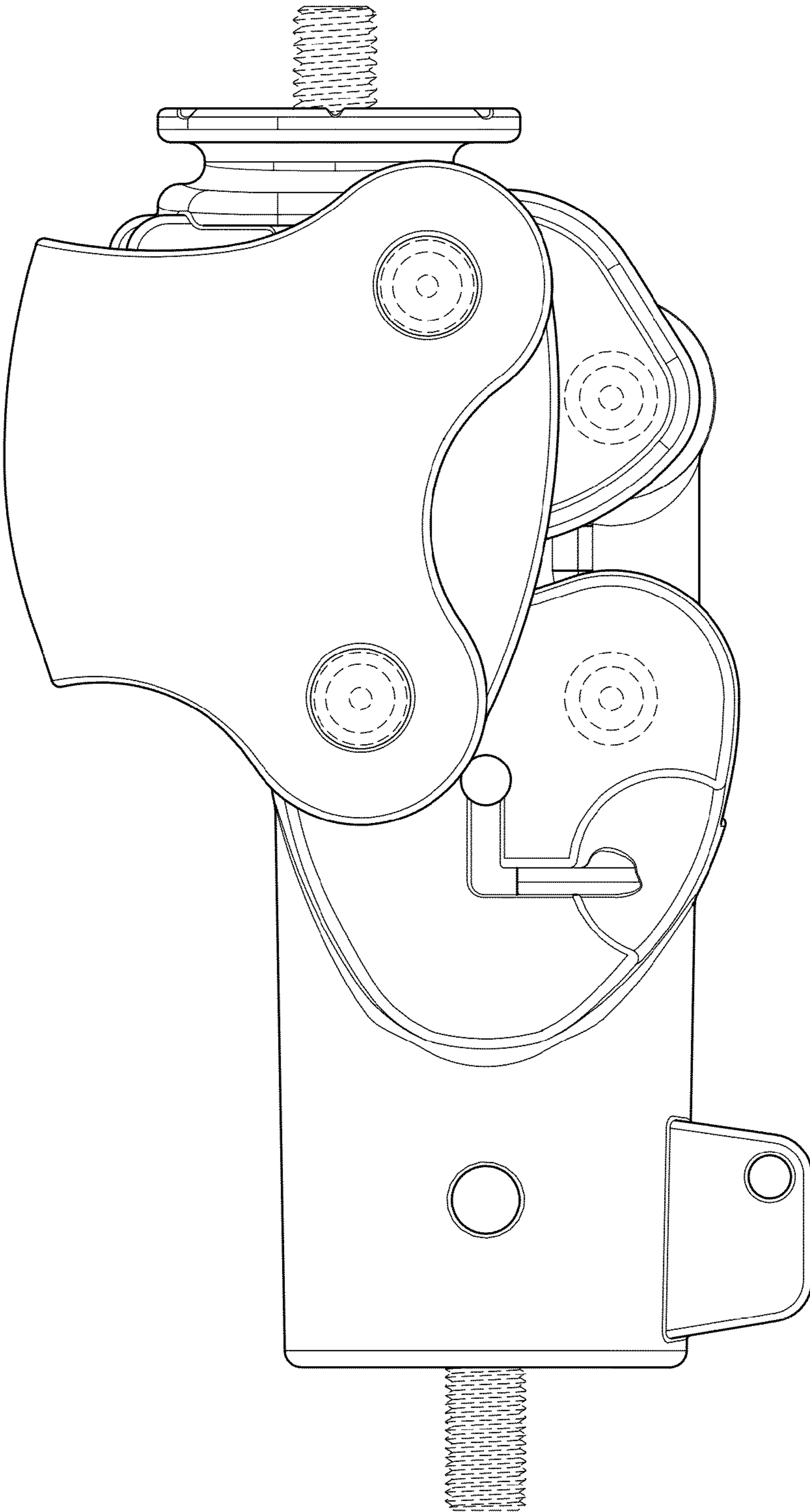


FIG. 4

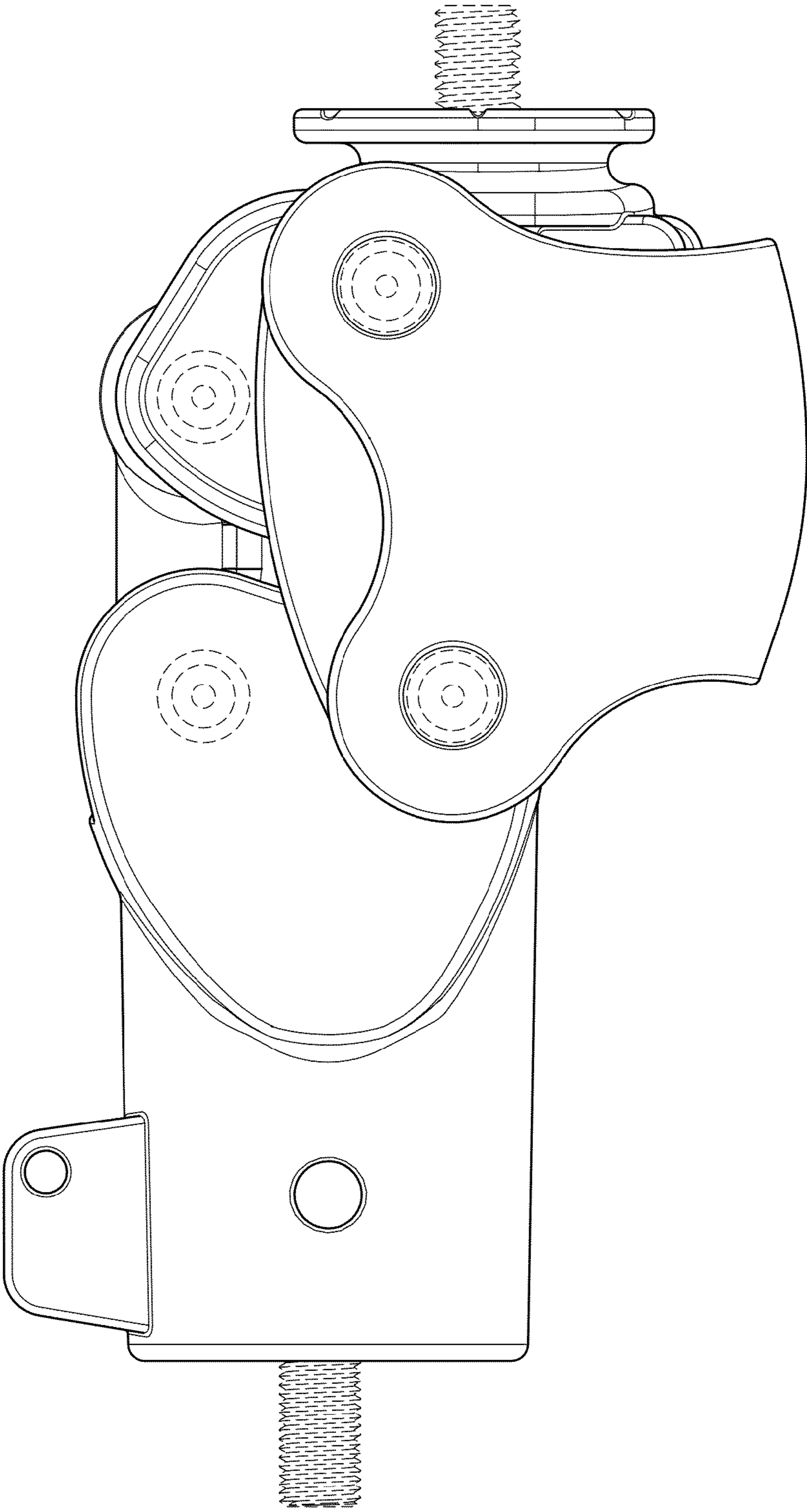


FIG. 5

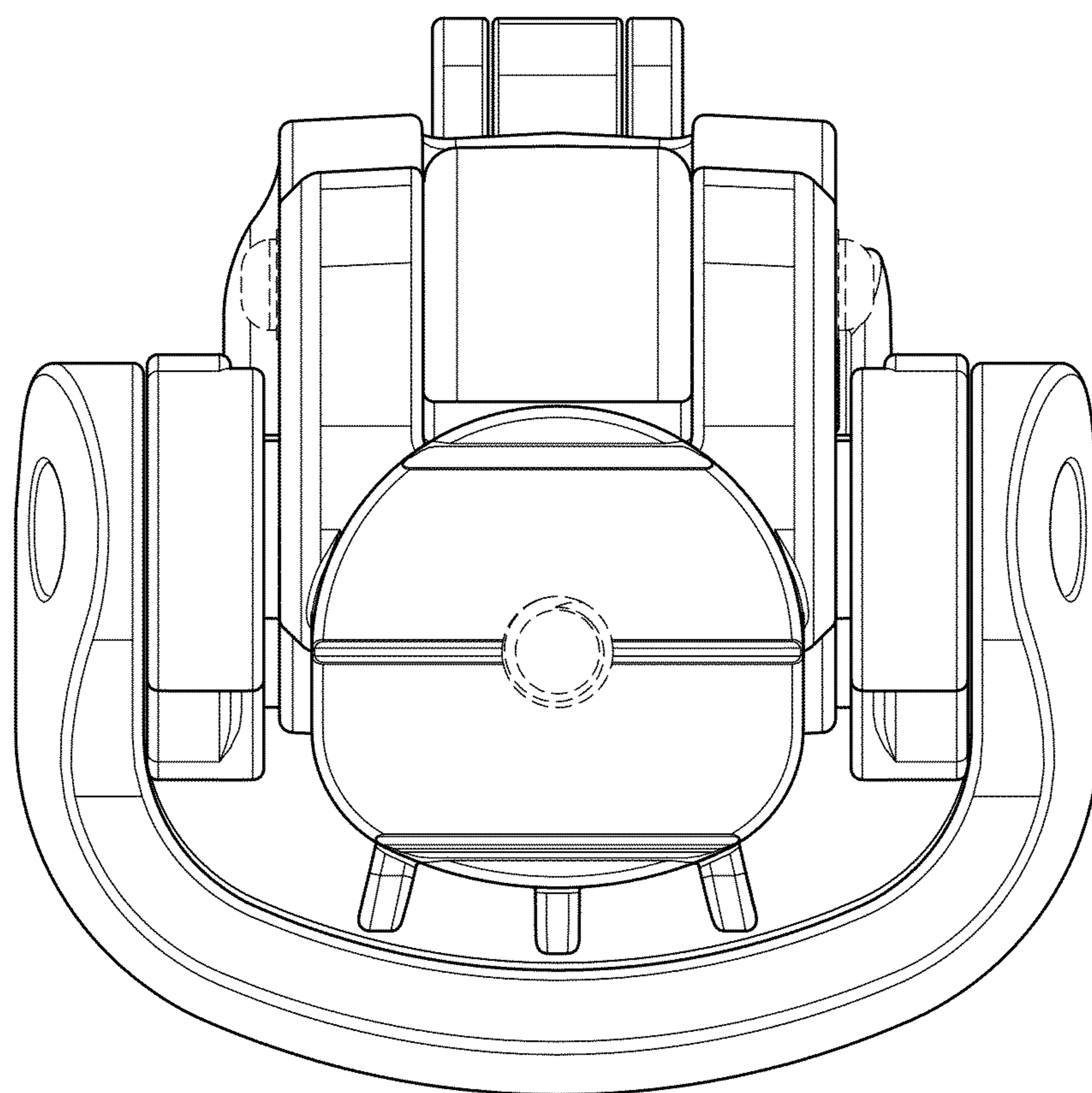


FIG. 6



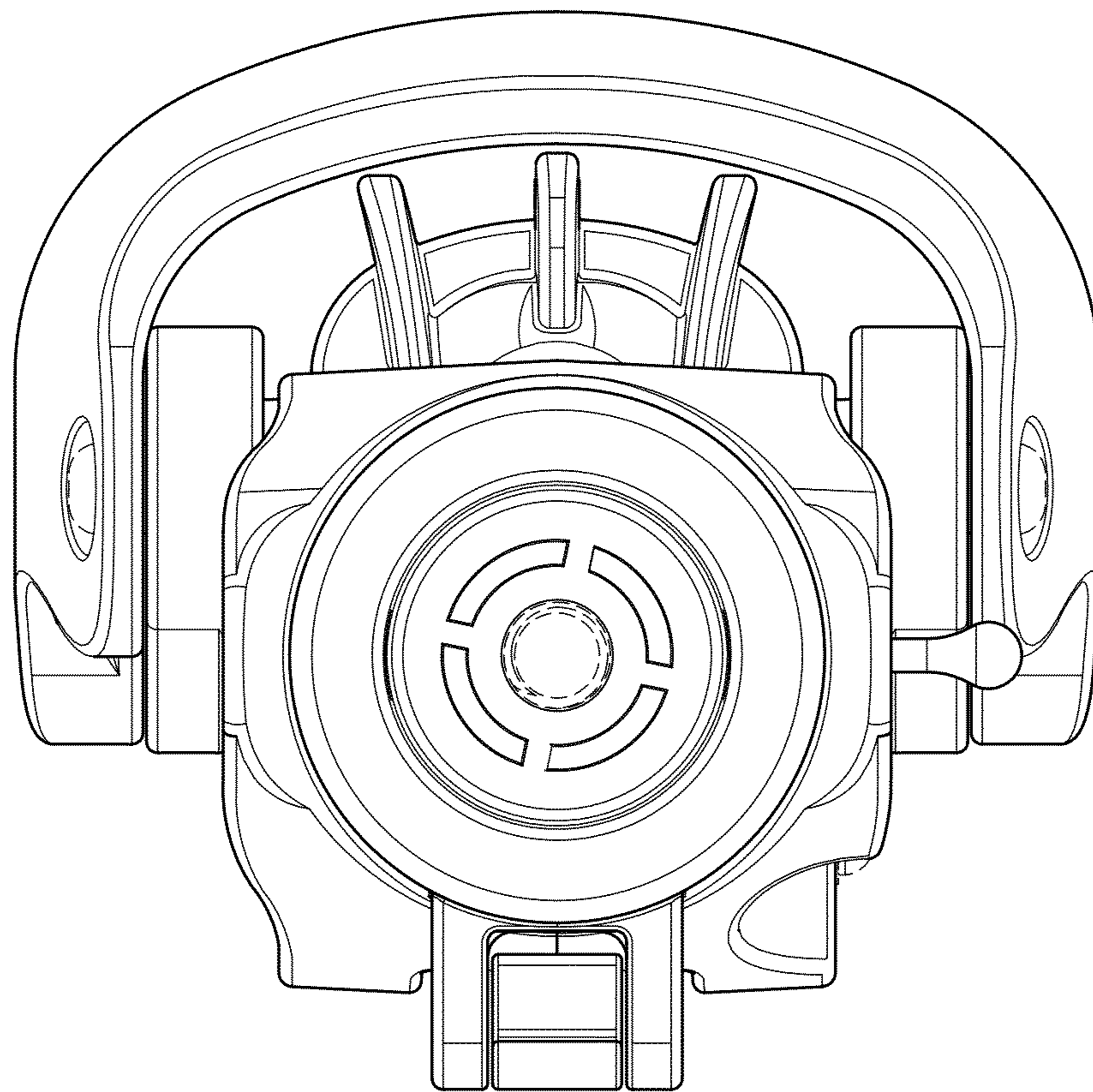


FIG. 7

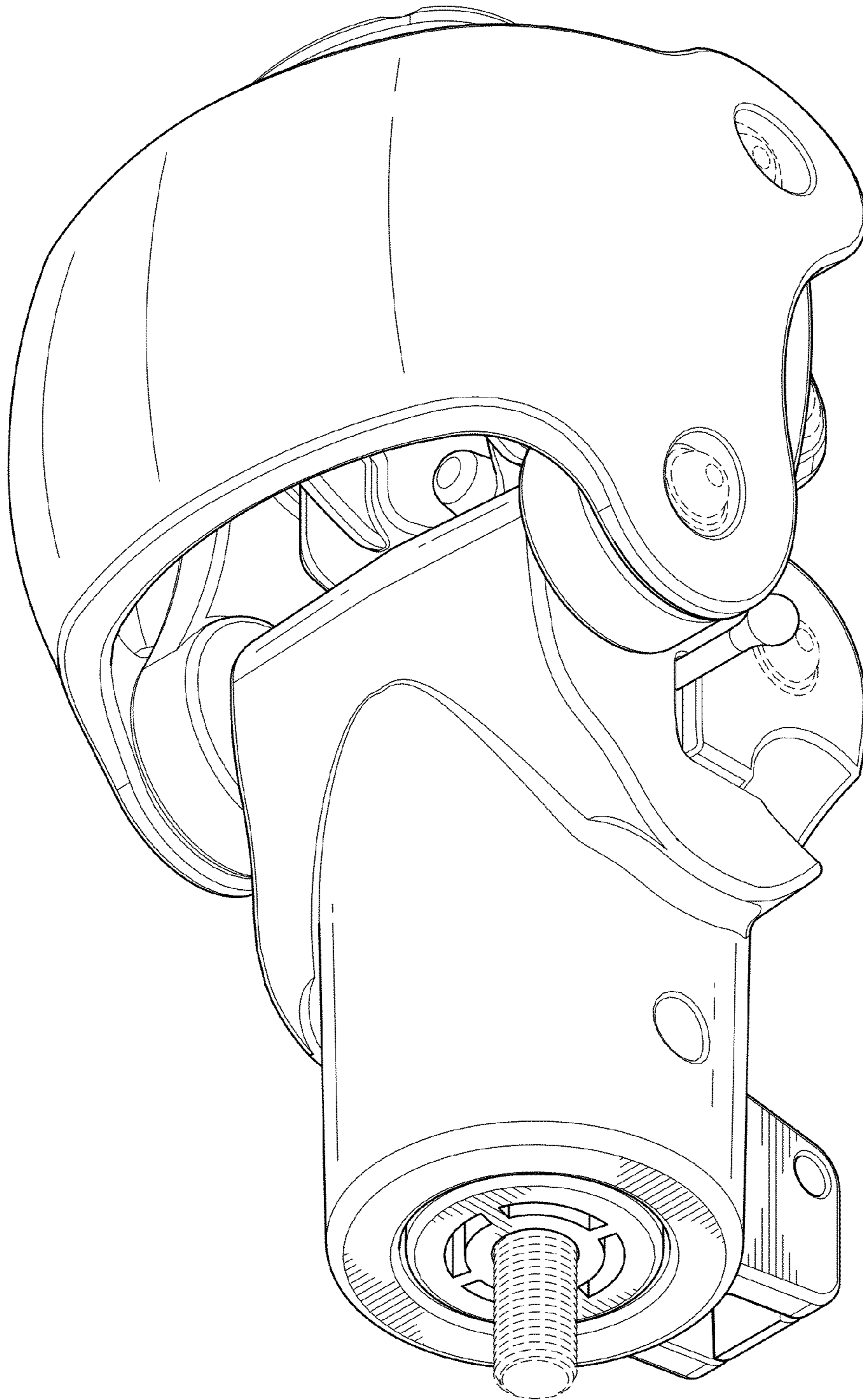


FIG. 8

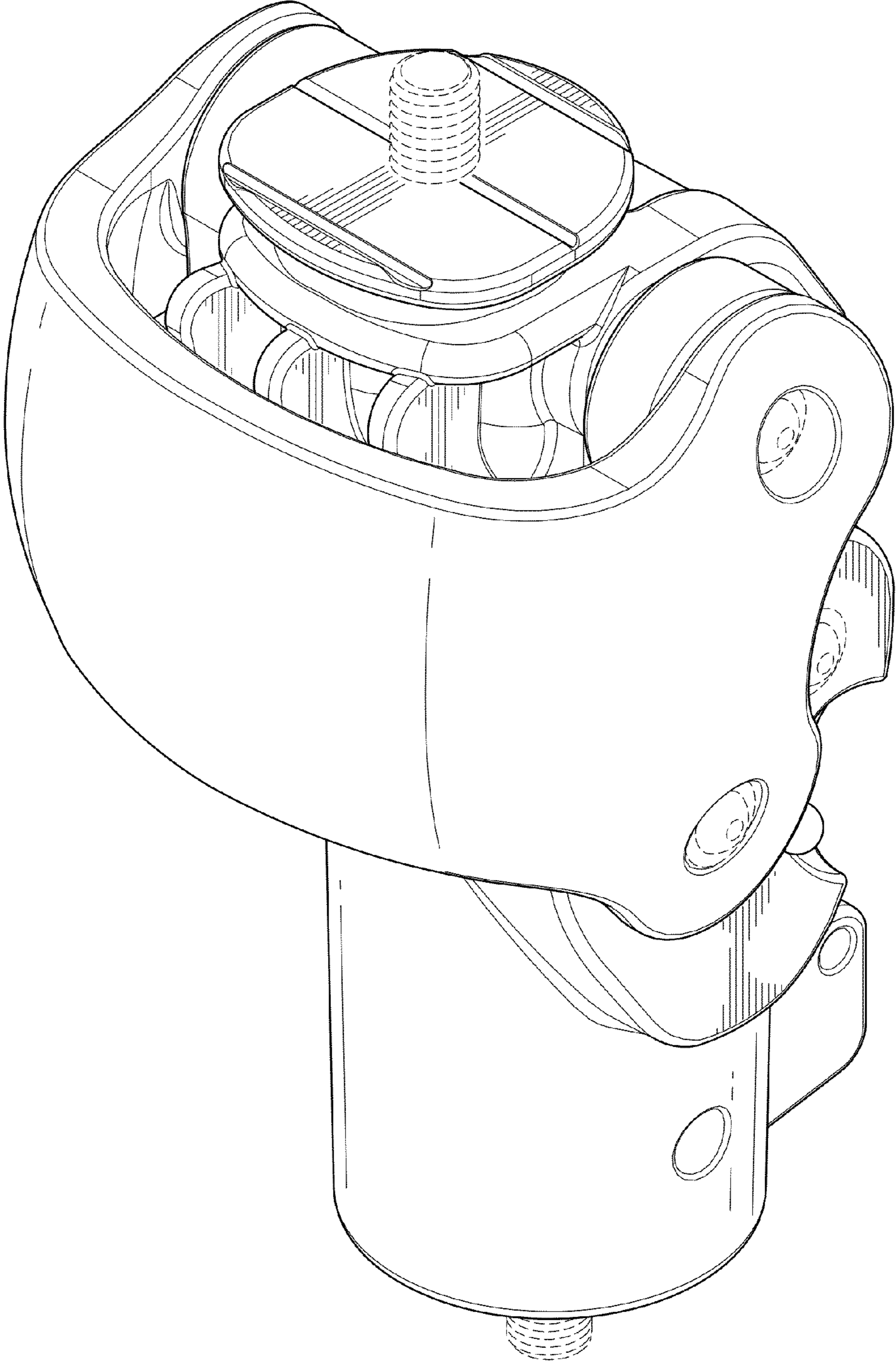


FIG. 9

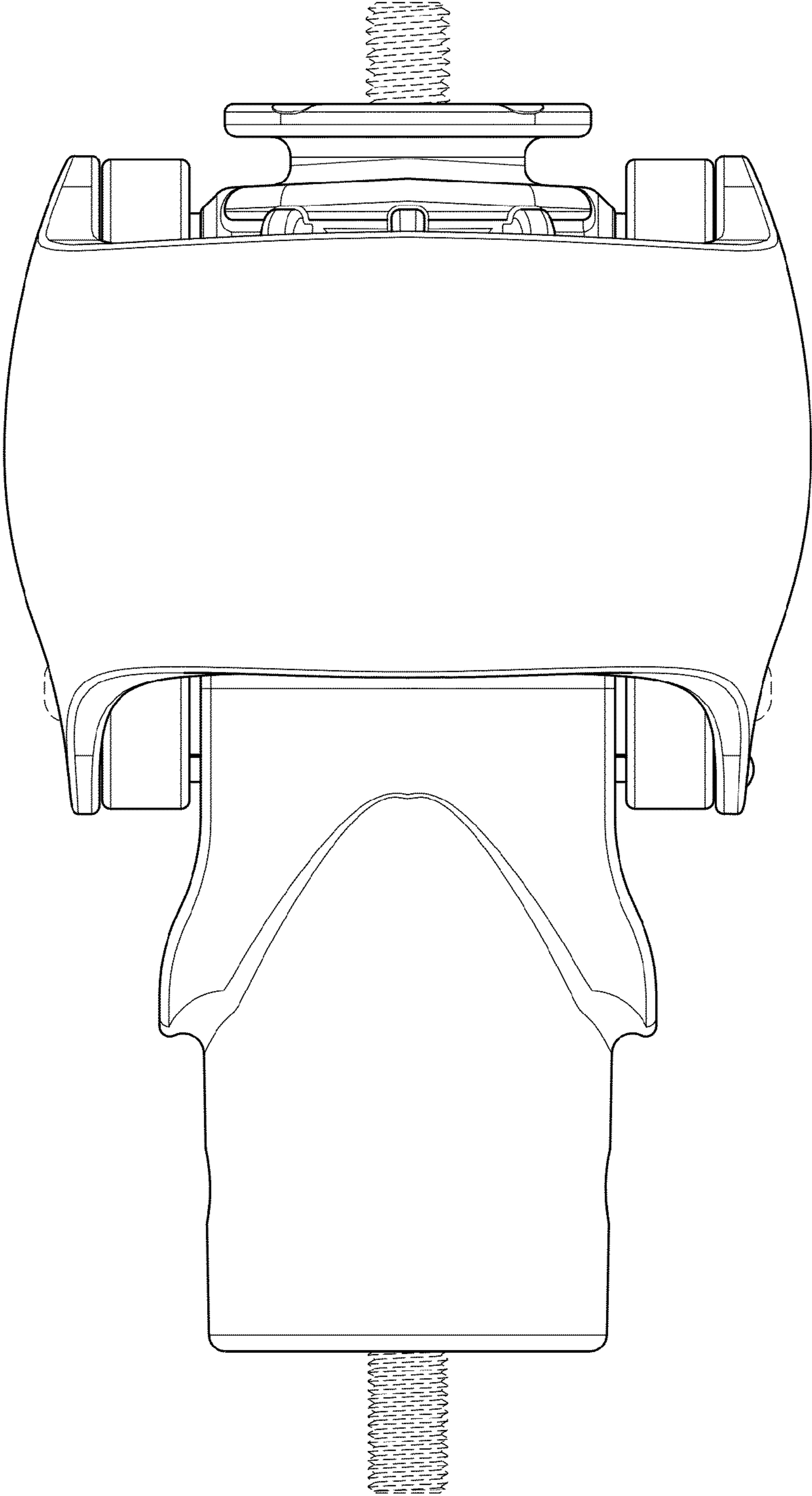


FIG. 10

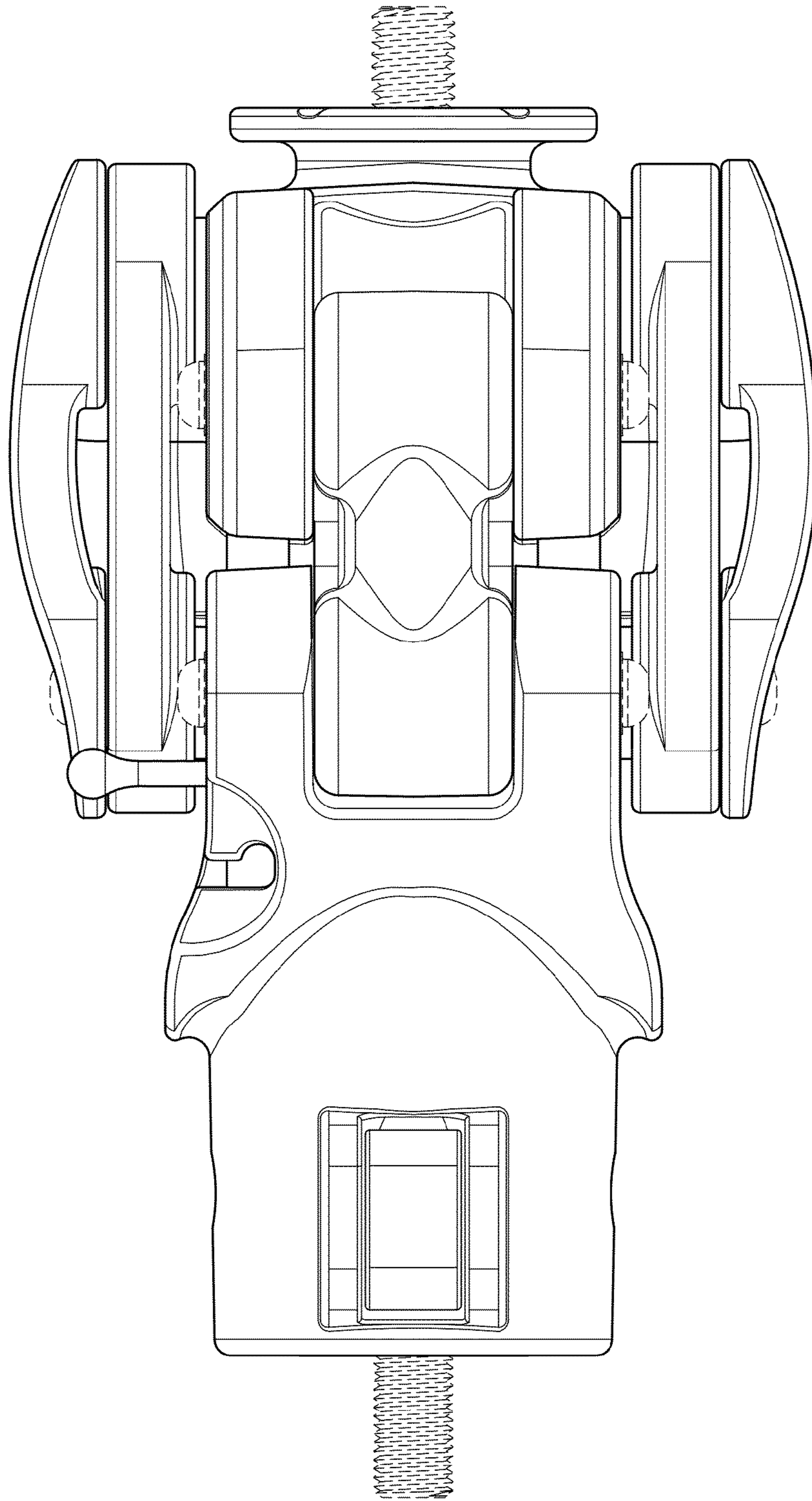


FIG. 11

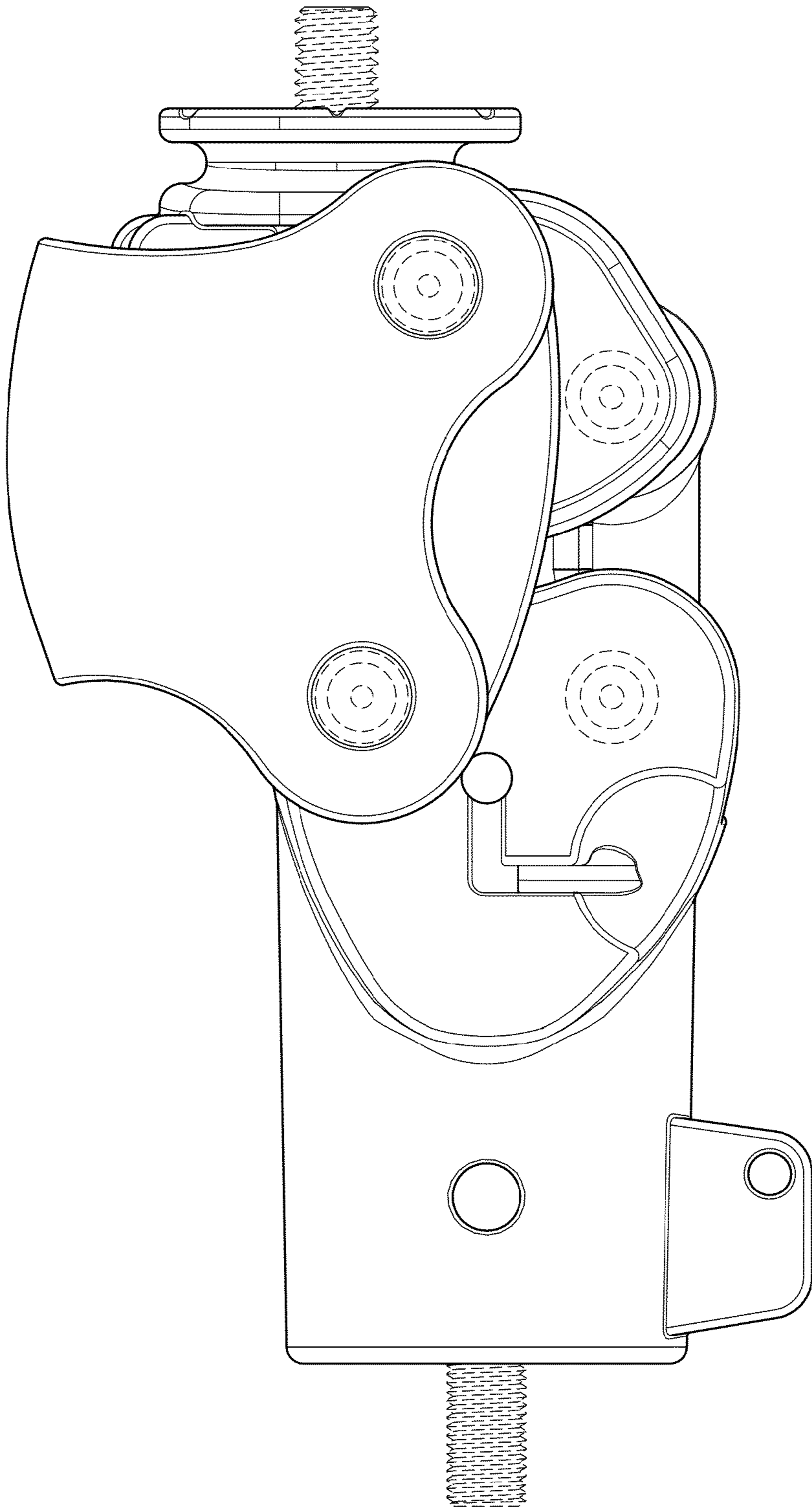


FIG. 12

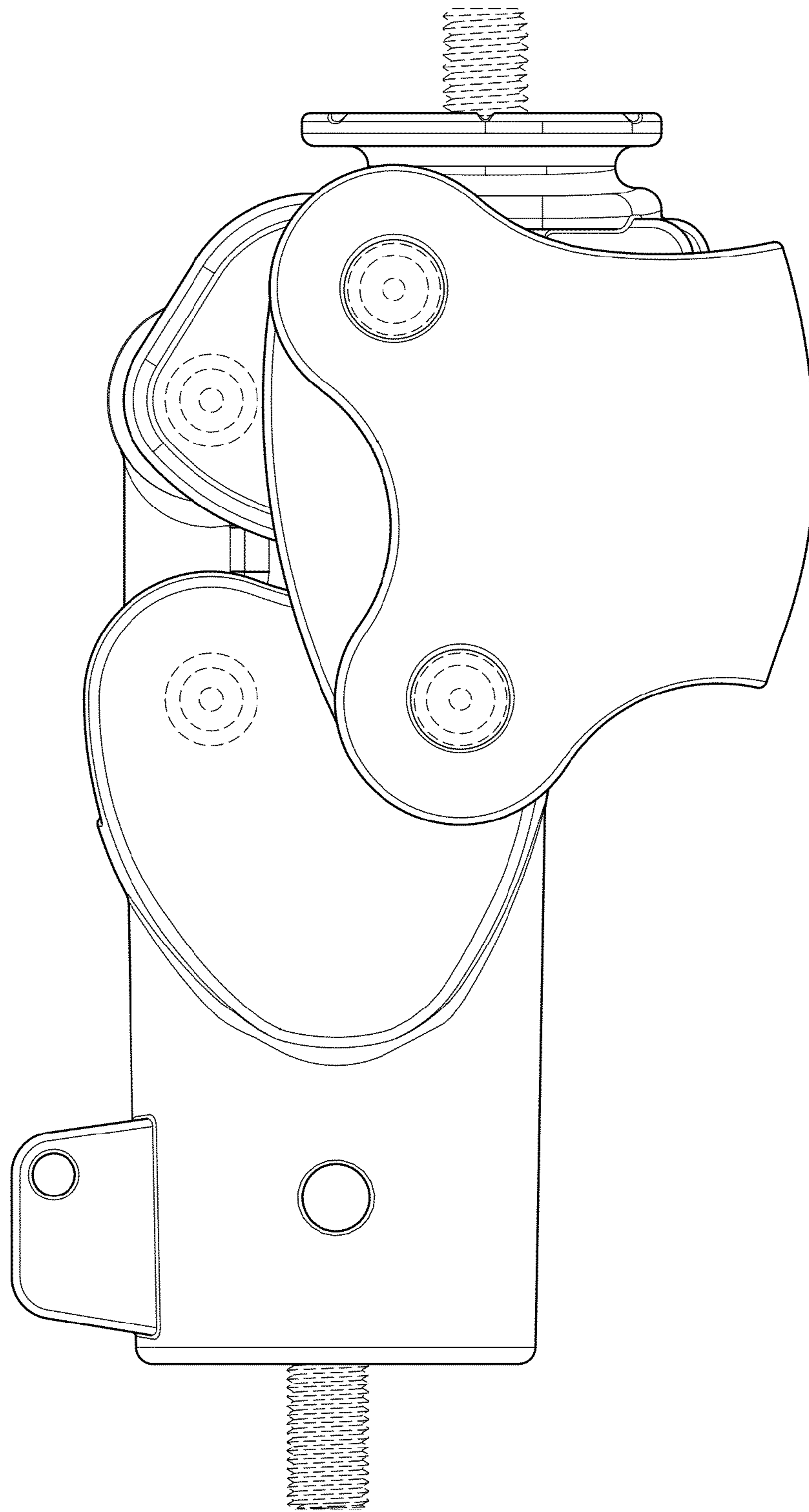


FIG. 13

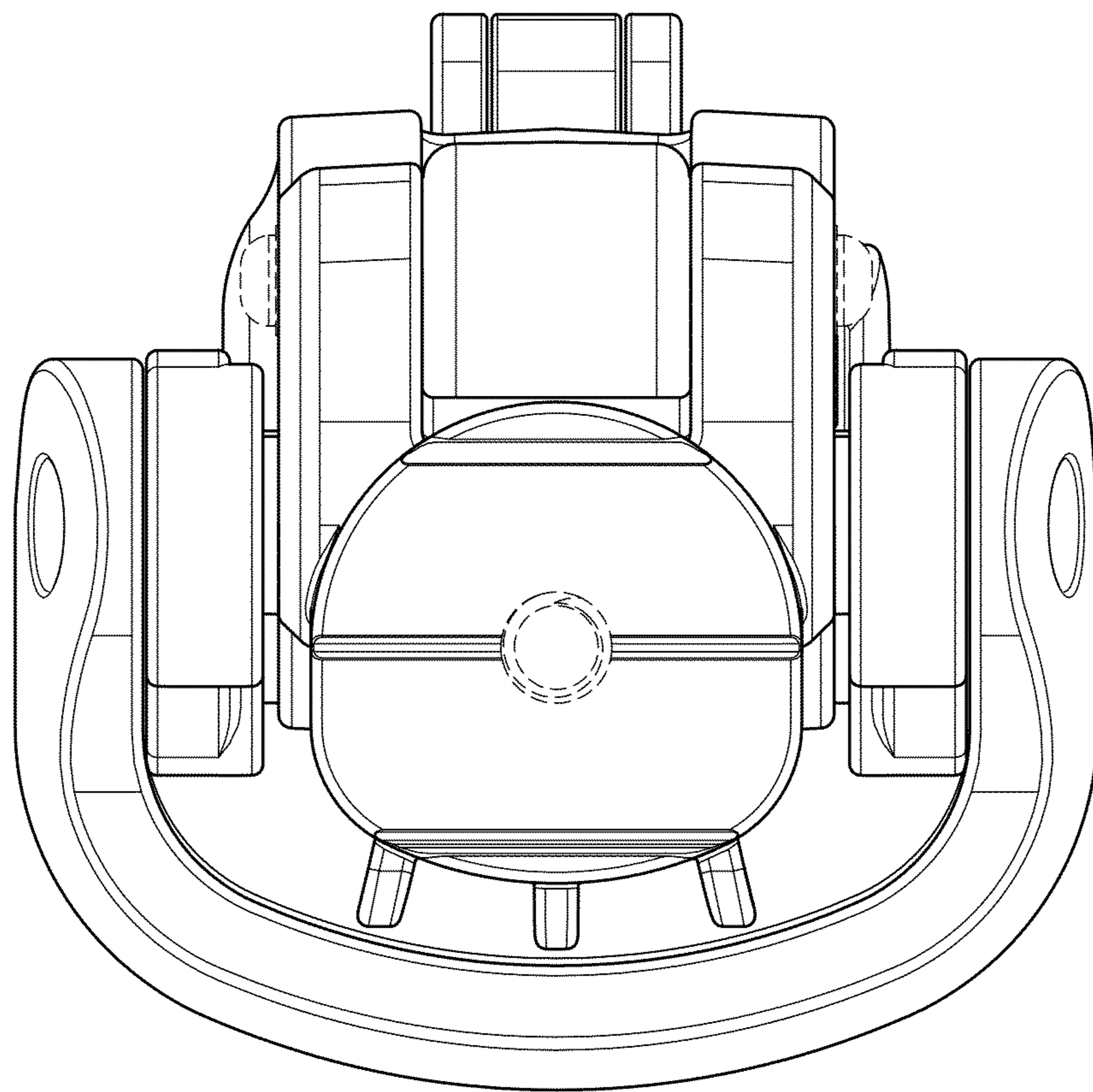


FIG. 14



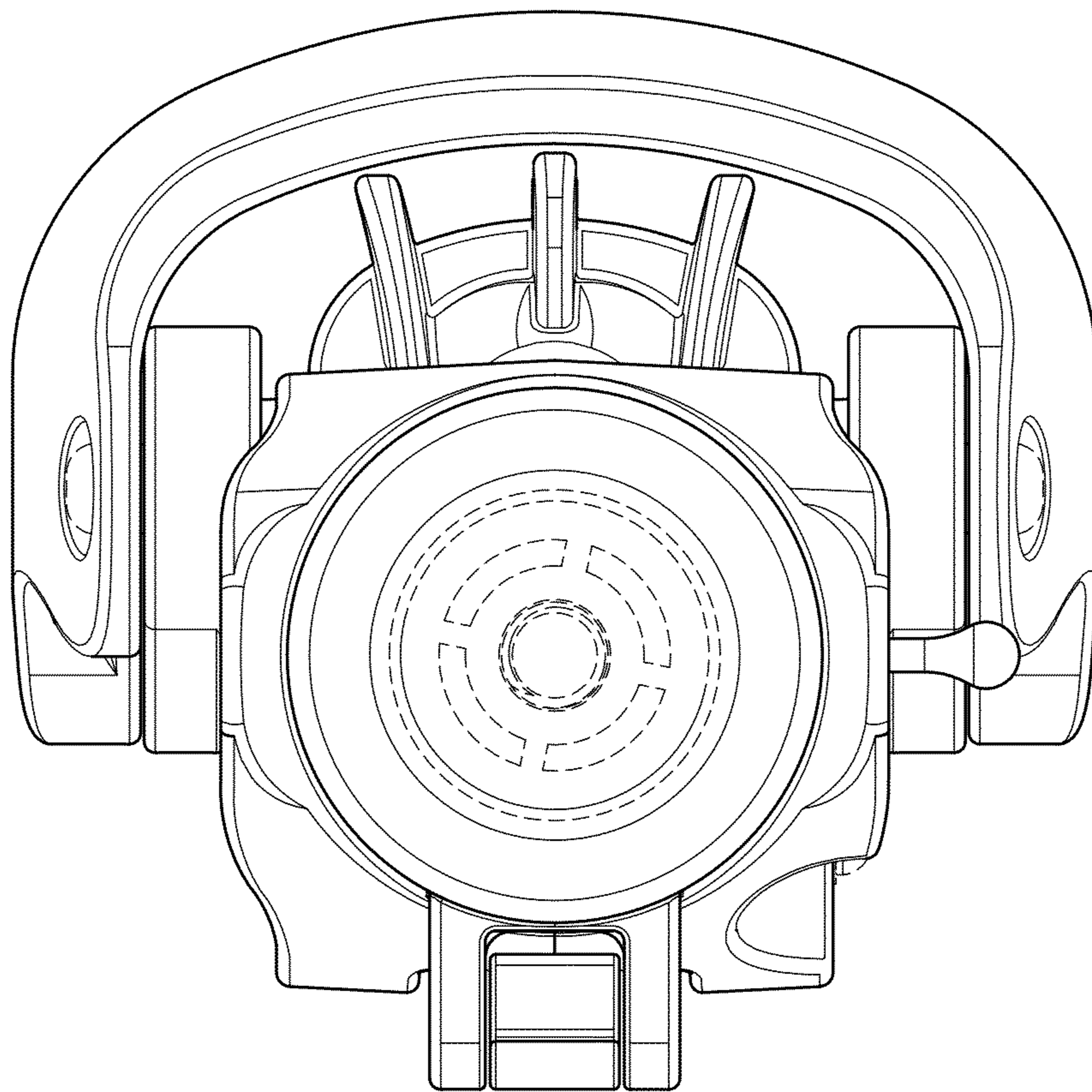


FIG. 15

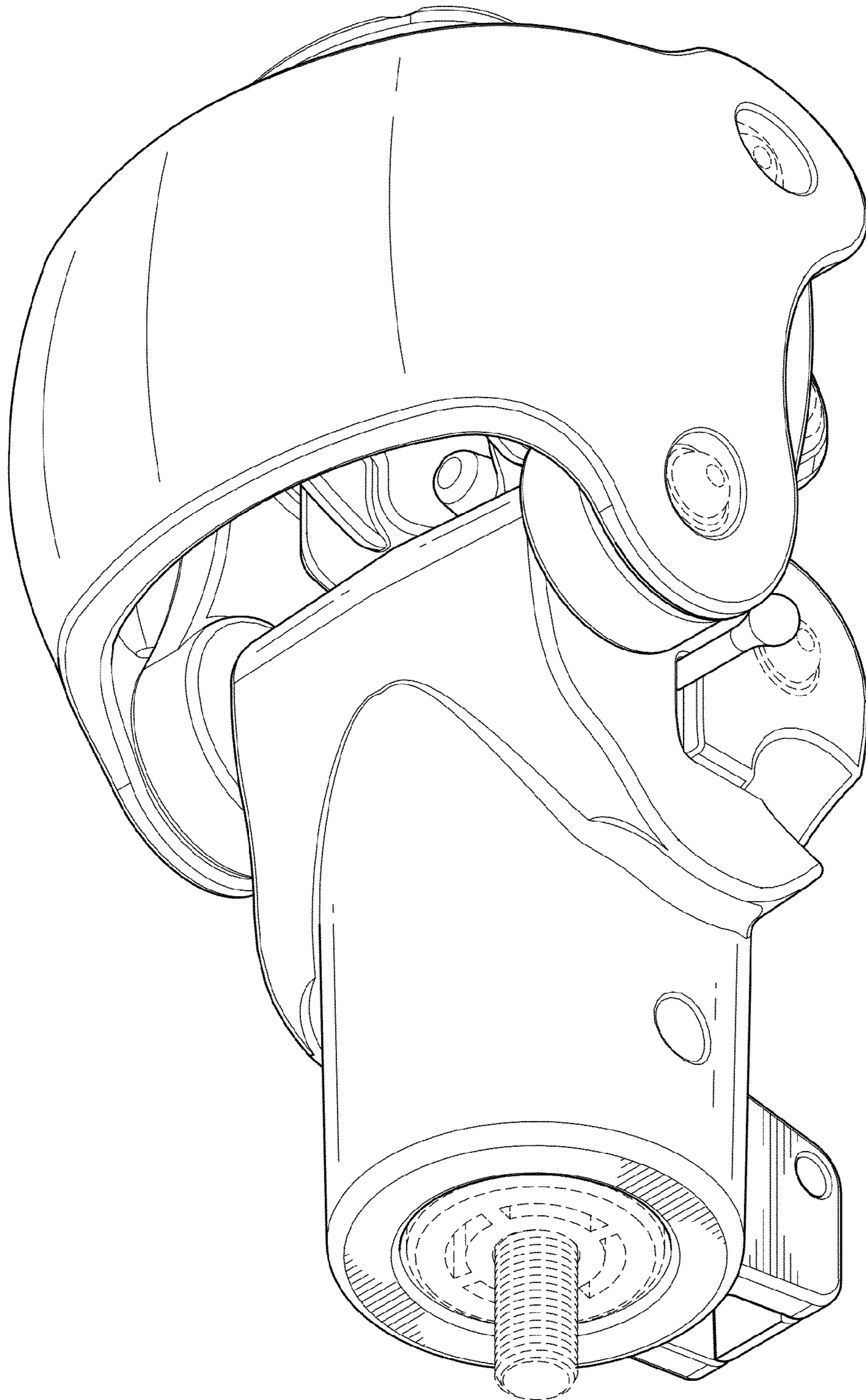


FIG. 16