



US00D732167S

(12) **United States Design Patent**
Terleski et al.

(10) **Patent No.:** **US D732,167 S**
(45) **Date of Patent:** **** *Jun. 16, 2015**

(54) **PROSTHETIC KNEE**

FOREIGN PATENT DOCUMENTS

(71) Applicant: **LIMBS International Inc.**, El Paso, TX
(US)

DE 417623 8/1925
DE 808743 7/1951

(Continued)

(72) Inventors: **Timothy W. Terleski**, Richardson, TX
(US); **Roger V. Gonzalez**, El Paso, TX
(US); **Cesar Ernesto Cantu**, El Paso,
TX (US); **Robert K LaSalle**, Fort Worth,
TX (US)

OTHER PUBLICATIONS

SPS Prosthetic Catalog 2008-2009, "Knee Joints," pp. 73-91.

(Continued)

(73) Assignee: **LIMBS International Inc.**, El Paso, TX
(US)

Primary Examiner — Ian Simmons
Assistant Examiner — Charles Hanson

(74) *Attorney, Agent, or Firm* — Fish & Richardson P.C.

(*) Notice: This patent is subject to a terminal disclaimer.

(57) **CLAIM**

The ornamental design for a prosthetic knee, as shown and described.

(**) Term: **14 Years**

(21) Appl. No.: **29/444,705**

DESCRIPTION

(22) Filed: **Feb. 1, 2013**

(51) **LOC (10) Cl.** **24-02**

(52) **U.S. Cl.**
USPC **D24/155**

(58) **Field of Classification Search**
USPC D24/155-157; 623/29, 38, 53, 55, 56,
623/57, 64, 17.11, 19.11, 44, 23.54, 23.7,
623/1.15, 903, 26-28, 32-36; 606/194,
606/198; 604/1.02, 103.02; 135/65
CPC A61F 2/80; A61F 2/60; A61F 2/76;
A61F 2/68; A61F 2220/0025; A61F 2/64;
A61F 2002/607; A61F 2220/0041; A61F
2002/5007; A61F 2002/802

See application file for complete search history.

FIG. 1 is a top right front perspective view of a first embodiment of a prosthetic knee;
FIG. 2 is a front view thereof;
FIG. 3 is a back view thereof;
FIG. 4 is a right view thereof;
FIG. 5 is a left view thereof;
FIG. 6 is a top view thereof;
FIG. 7 is a bottom view thereof;
FIG. 8 is a bottom right front perspective view thereof;
FIG. 9 is a top right front perspective view of a second embodiment of a prosthetic knee;
FIG. 10 is a front view thereof;
FIG. 11 is a back view thereof;
FIG. 12 is a right view thereof;
FIG. 13 is a left view thereof;
FIG. 14 is a top view thereof;
FIG. 15 is a bottom view thereof; and,
FIG. 16 is a bottom right front perspective view thereof.
The broken lines which define the bounds of the claimed design form no part thereof.

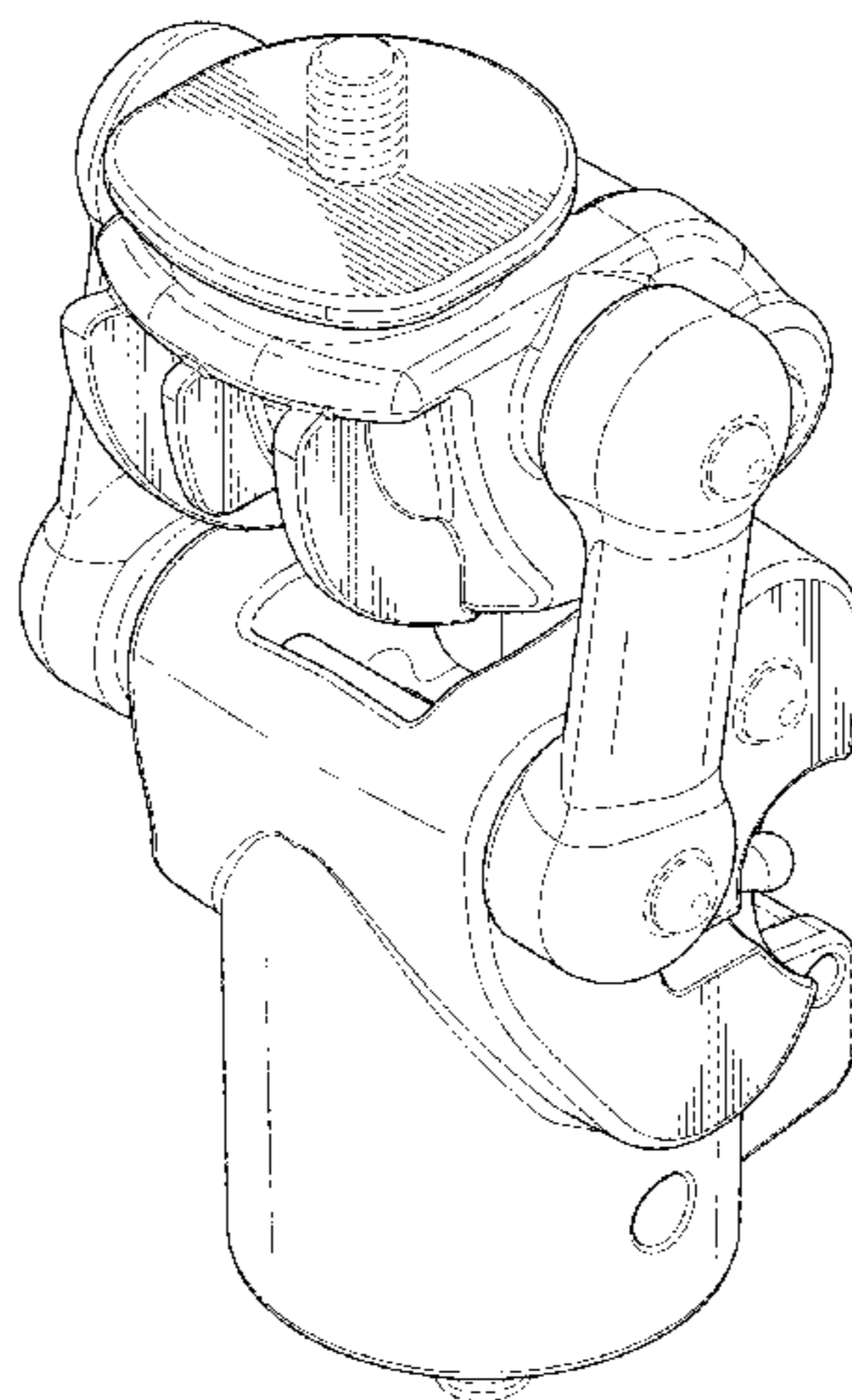
(56) **References Cited**

U.S. PATENT DOCUMENTS

3,823,424 A 7/1974 May
3,969,773 A 7/1976 Menschik

(Continued)

1 Claim, 16 Drawing Sheets



(56)

References Cited

U.S. PATENT DOCUMENTS

4,064,569 A 12/1977 Campbell
 4,178,642 A 12/1979 May
 4,911,709 A 3/1990 Marlow
 5,181,931 A 1/1993 Van de Veen
 5,545,232 A 8/1996 Van de Veen
 5,645,590 A 7/1997 Van de Veen
 5,746,774 A 5/1998 Kramer et al.
 5,800,567 A 9/1998 Cooper et al.
 5,888,236 A 3/1999 Van de Veen
 6,086,616 A 7/2000 Okuda et al.
 6,187,051 B1 2/2001 Van de Veen
 6,187,052 B1 2/2001 Molino et al.
 D439,339 S * 3/2001 Sawatzki D24/155
 6,206,933 B1 3/2001 Shorter et al.
 D446,304 S * 8/2001 Sawatzki et al. D24/155
 6,482,236 B2 11/2002 Habecker
 6,508,843 B2 1/2003 Suzuki
 6,676,707 B2 1/2004 Yih et al.
 6,706,074 B1 3/2004 Chen
 6,749,640 B1 6/2004 Luhrs et al.
 6,752,835 B2 6/2004 Shen
 6,808,540 B1 10/2004 Gramnas
 6,911,050 B2 6/2005 Molino et al.
 6,997,959 B2 2/2006 Chen et al.
 7,001,434 B2 2/2006 Van de Veen
 D522,142 S * 5/2006 Boiten D24/155
 7,044,983 B1 5/2006 Cheng
 D523,959 S * 6/2006 Muehlenberend D24/155
 7,066,964 B2 6/2006 Wild
 D525,709 S * 7/2006 Boiten D24/155
 D526,062 S * 8/2006 Harn et al. D24/155
 D526,412 S * 8/2006 Harn et al. D24/155
 D527,458 S * 8/2006 Harn et al. D24/155
 7,087,090 B2 8/2006 Andrysek et al.

7,087,091 B1 8/2006 Chen
 7,195,647 B2 3/2007 Chen et al.
 D553,741 S * 10/2007 Chen D24/155
 D592,749 S * 5/2009 Muhlenberend D24/155
 7,544,214 B2 6/2009 Gramnas
 7,582,119 B2 9/2009 Chen
 7,618,463 B2 11/2009 Oddsson et al.
 D632,790 S * 2/2011 Cheng D24/155
 8,231,688 B2 7/2012 Fairbanks et al.
 D702,347 S * 4/2014 Noack D24/155
 D702,348 S * 4/2014 Noack D24/155
 2002/0188355 A1 12/2002 Chen
 2004/0083007 A1 4/2004 Molino et al.
 2004/0107008 A1 6/2004 Van de Veen
 2005/0027370 A1 2/2005 Chen et al.
 2005/0154473 A1 7/2005 Bassett
 2005/0234562 A1 10/2005 Okuda et al.
 2007/0255426 A1 11/2007 Reinhardt
 2008/0071388 A1 3/2008 Chen
 2012/0253476 A1 10/2012 Cheng et al.

FOREIGN PATENT DOCUMENTS

EP 1849439 10/2007
 GB 1418496 12/1975
 WO 2009/145753 12/2009
 WO 2011/123119 10/2011
 WO 2012/119156 9/2012

OTHER PUBLICATIONS

ISR/WO for PCT Application No. PCT/US2014/012557 mailed May 1, 2014, 68 pages.
 U.S. Appl. No. 29/464,611, entitled "Prosthetic Knee," filed Aug. 19, 2013.

* cited by examiner

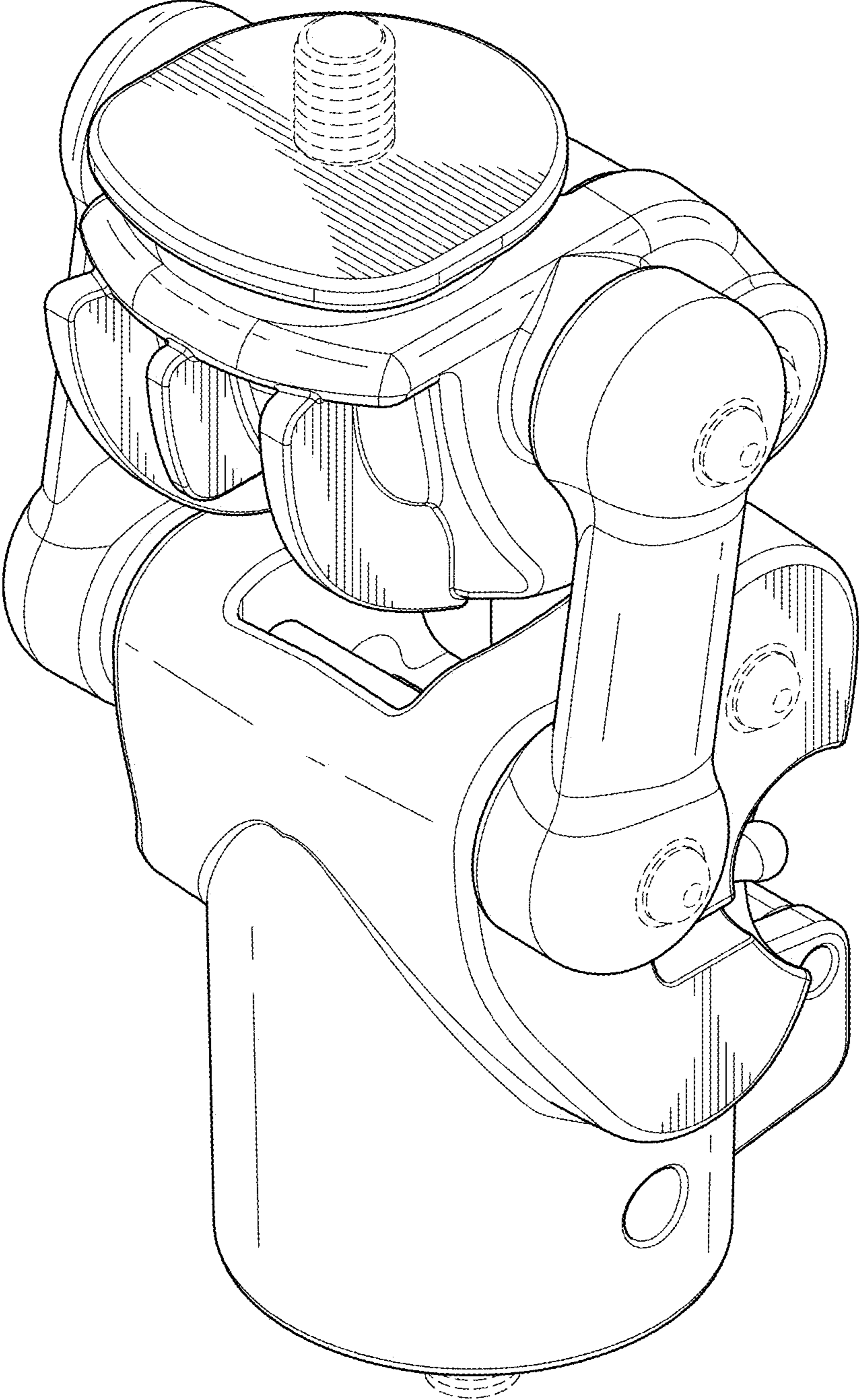


FIG. 1

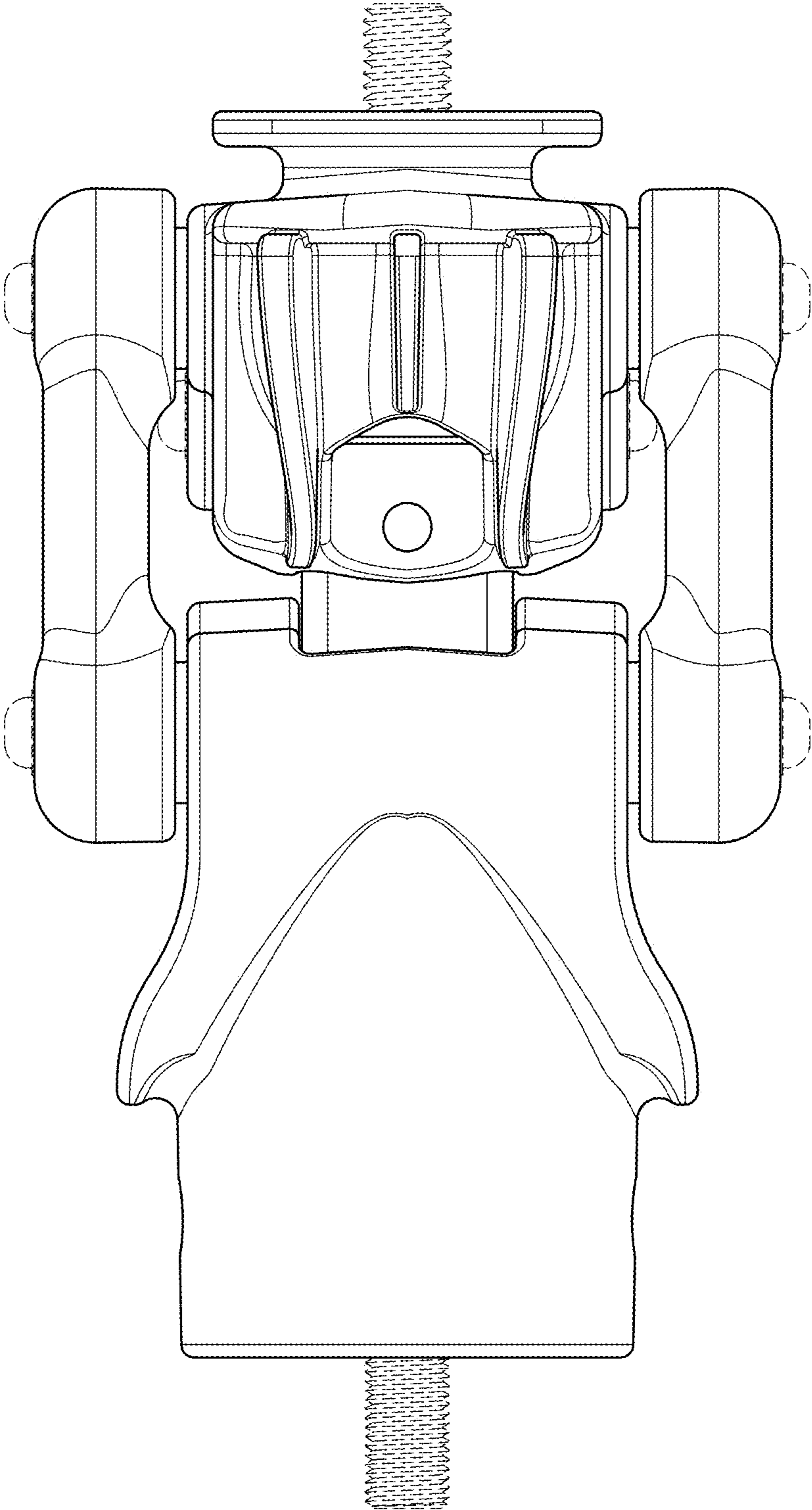


FIG. 2

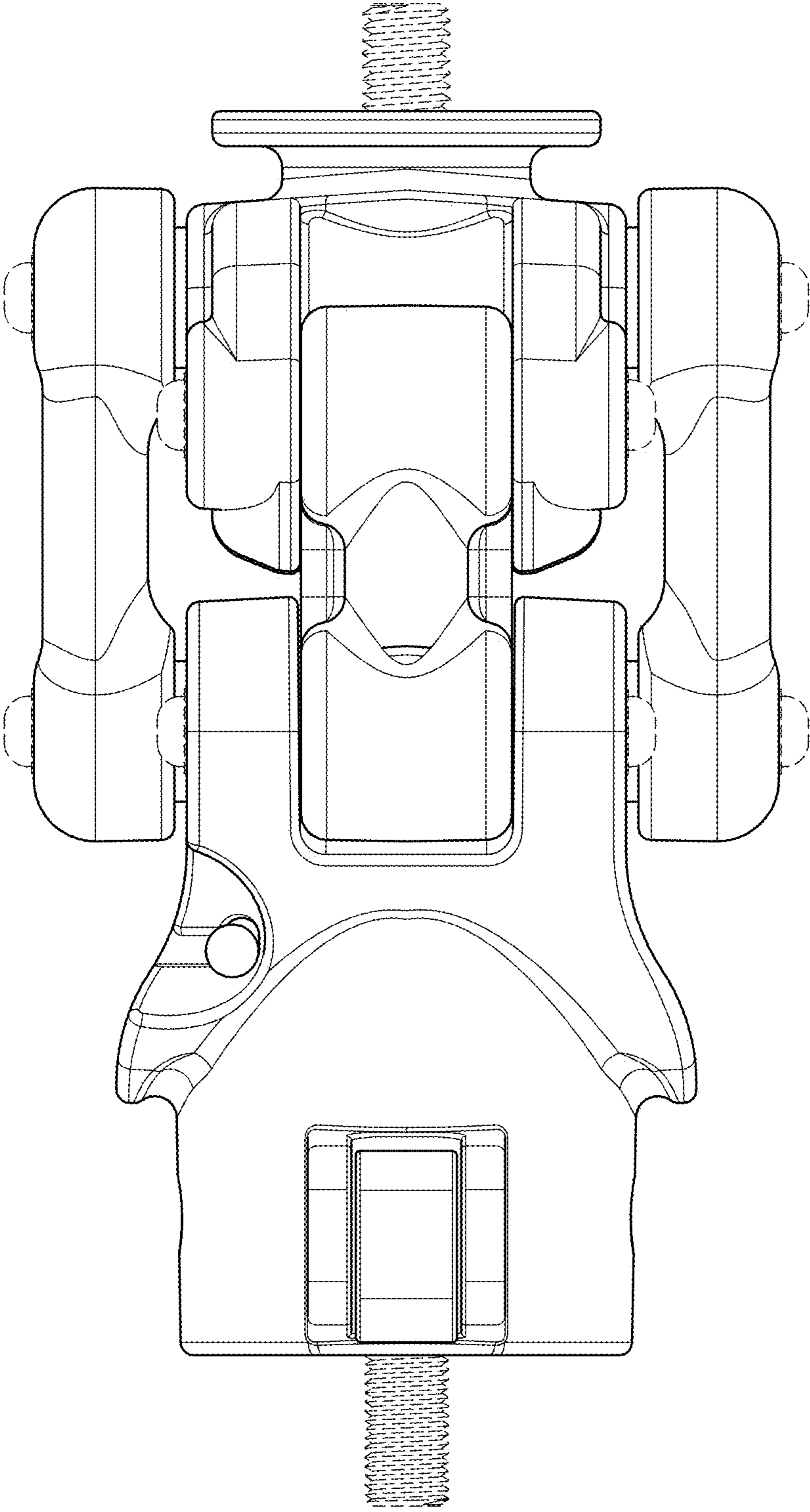


FIG. 3

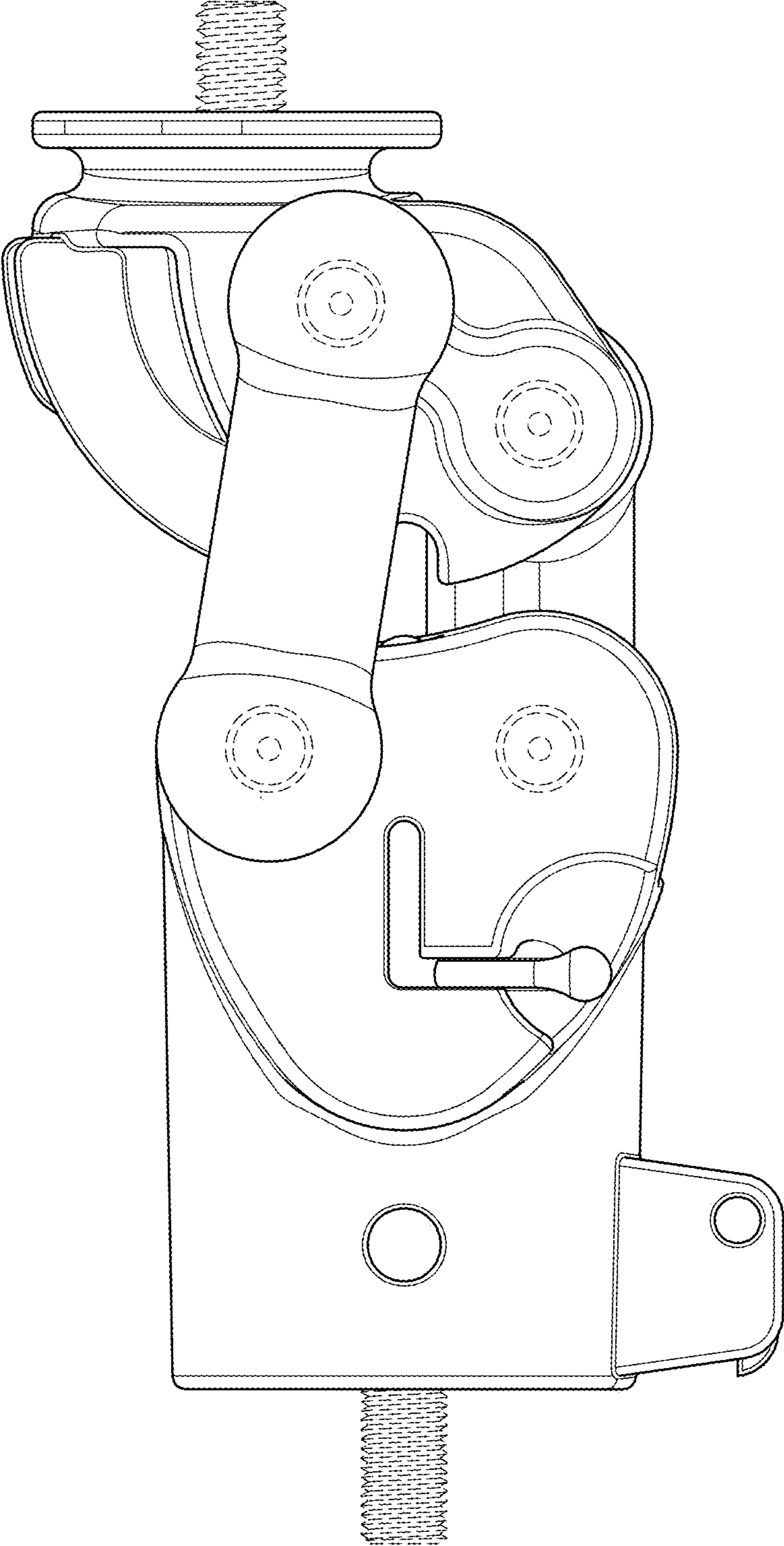


FIG. 4

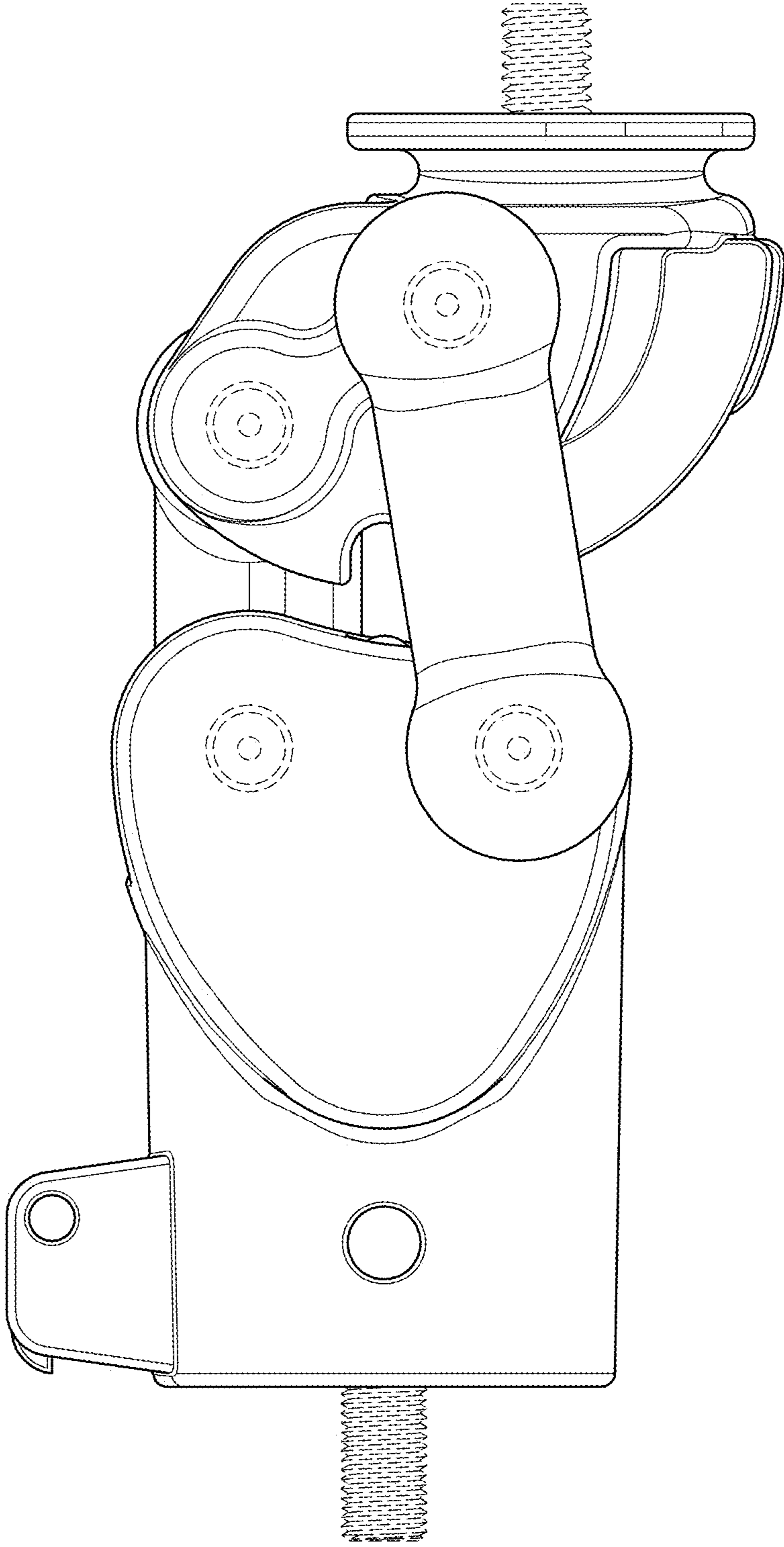


FIG. 5

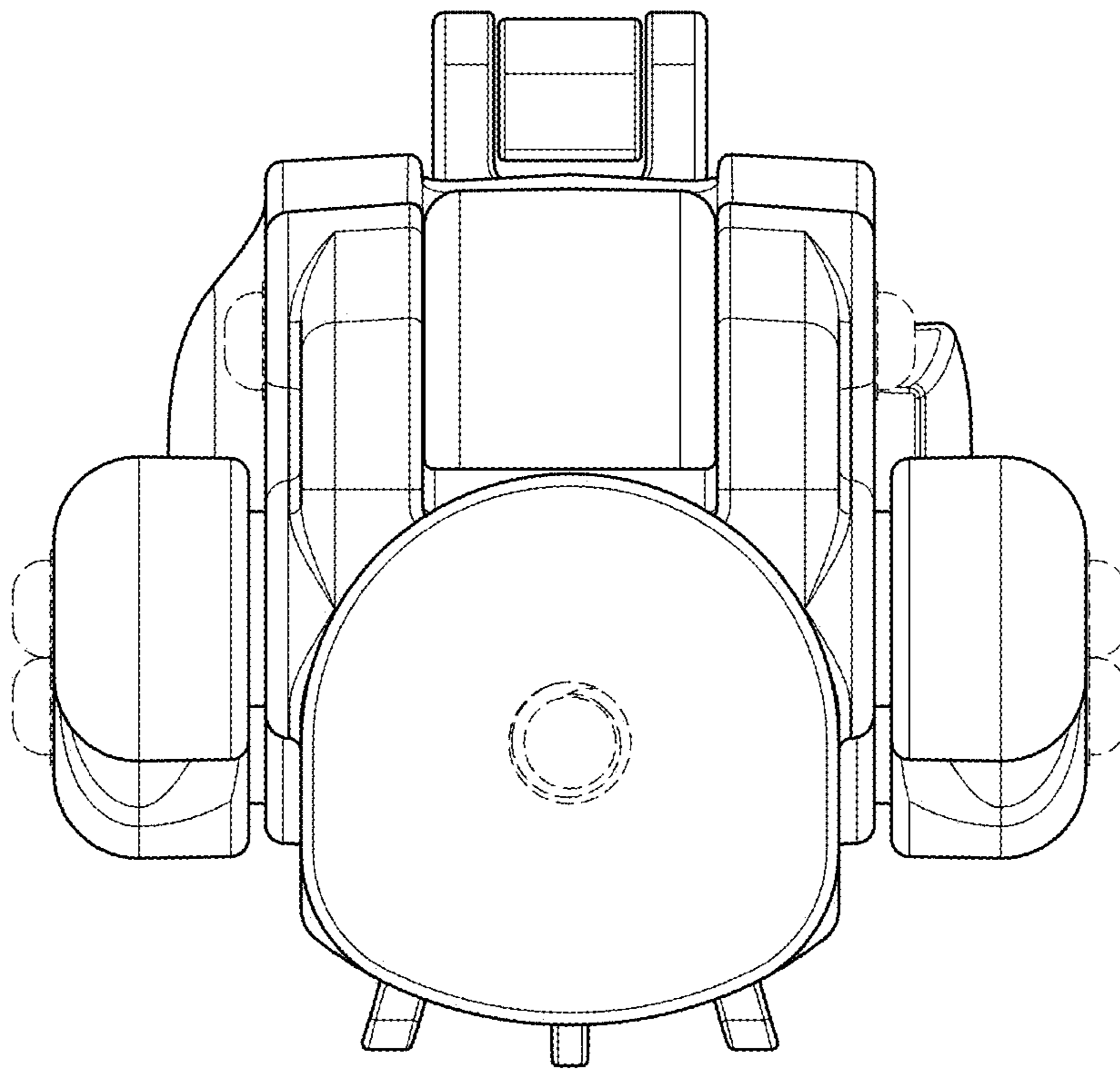


FIG. 6

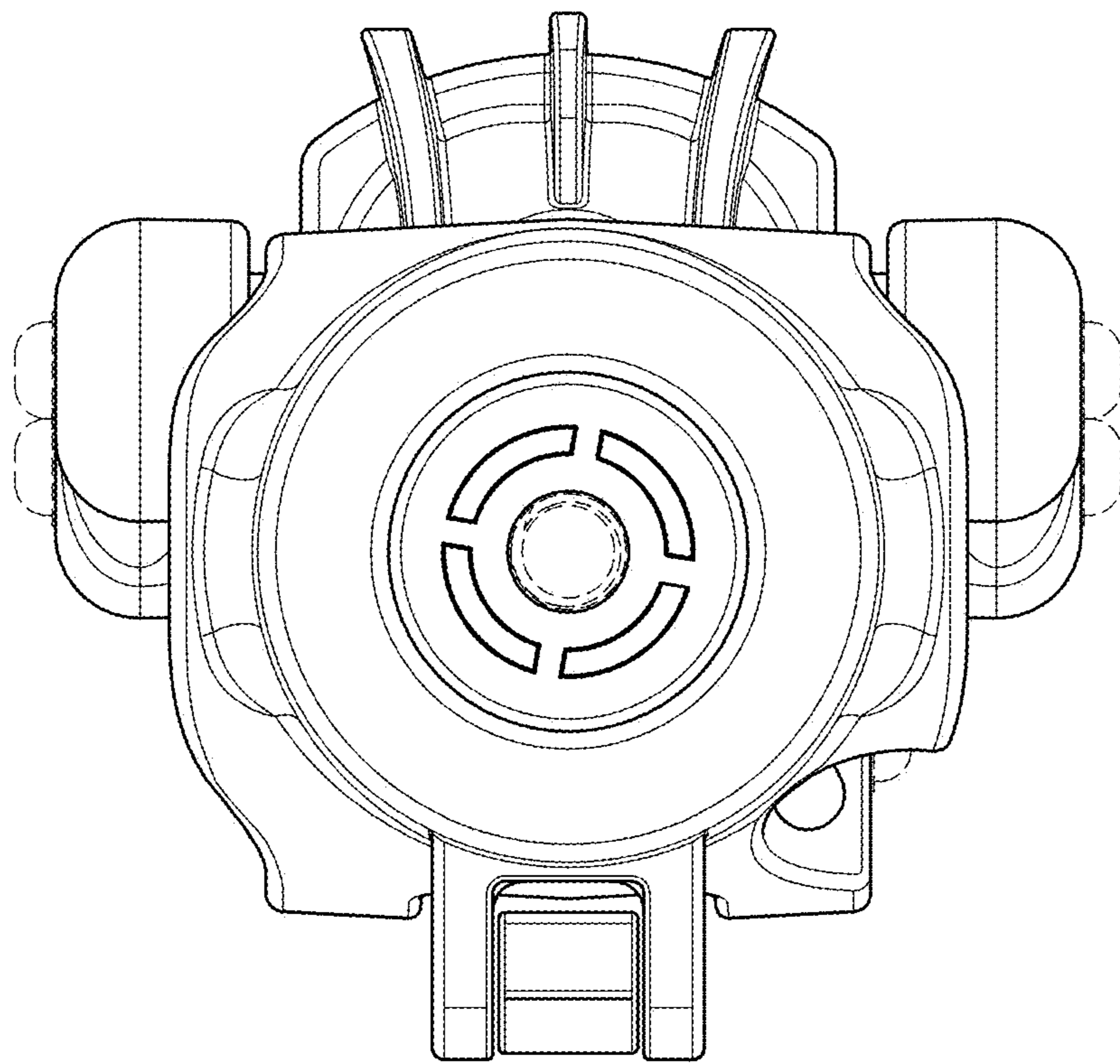


FIG. 7

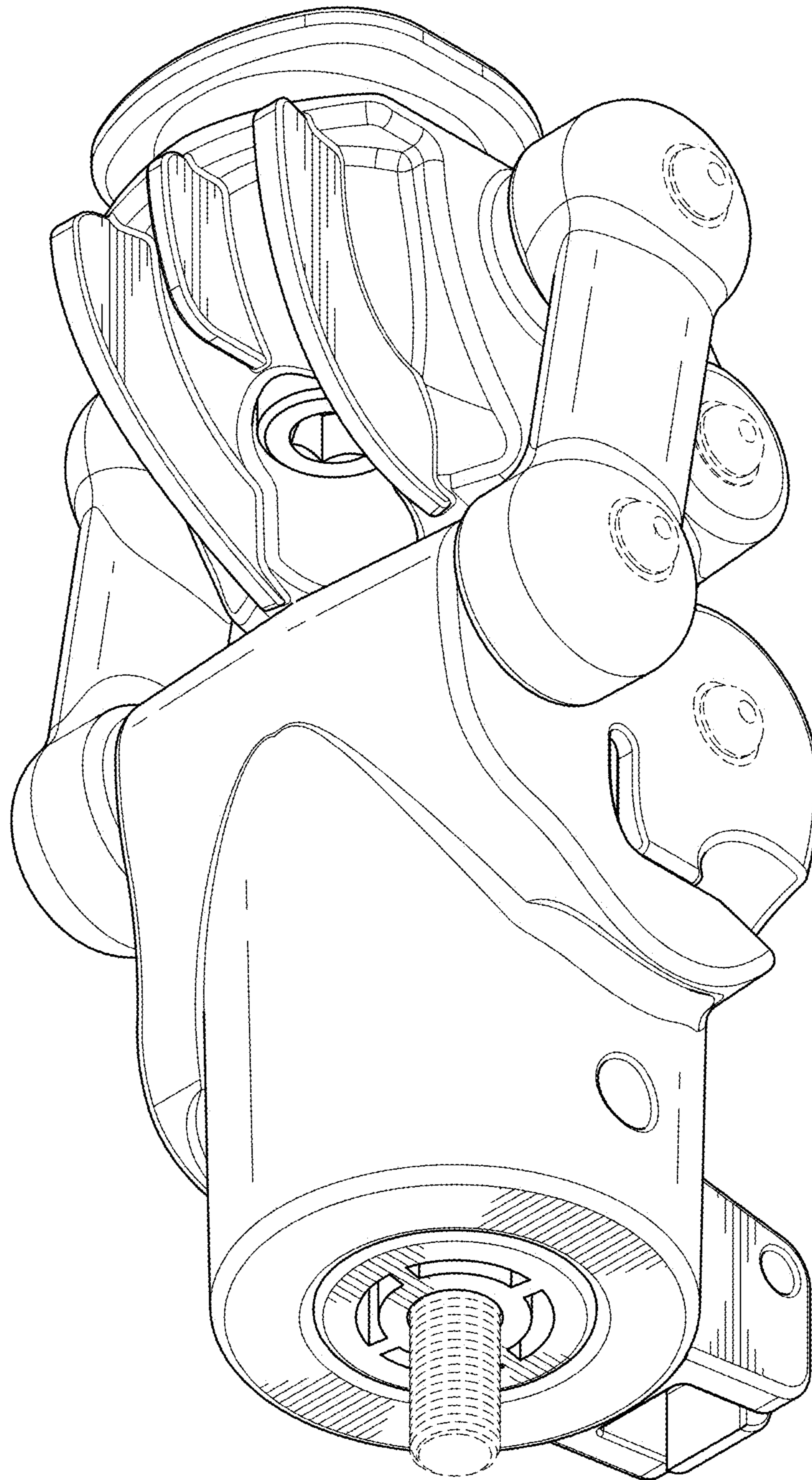


FIG. 8

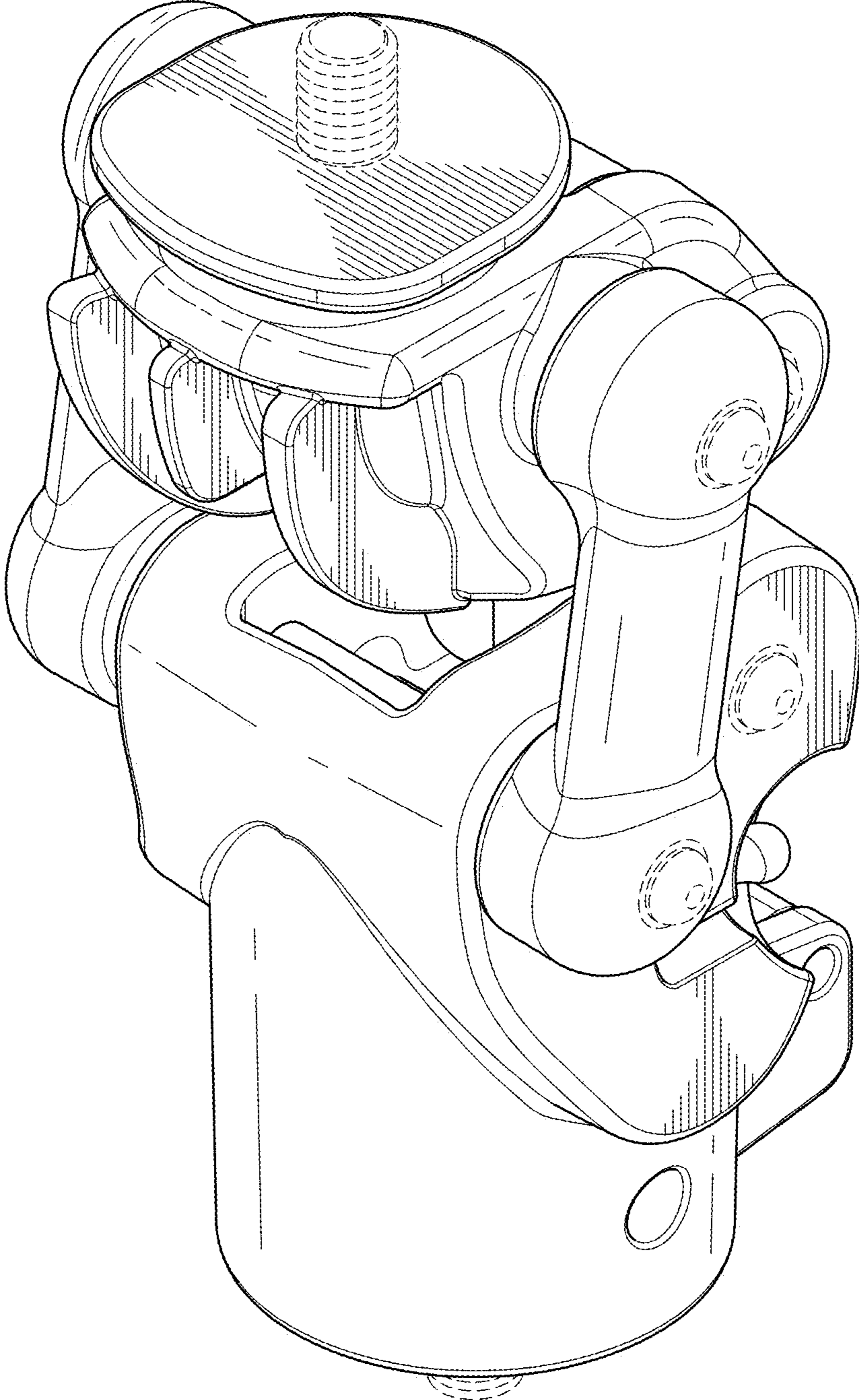


FIG. 9

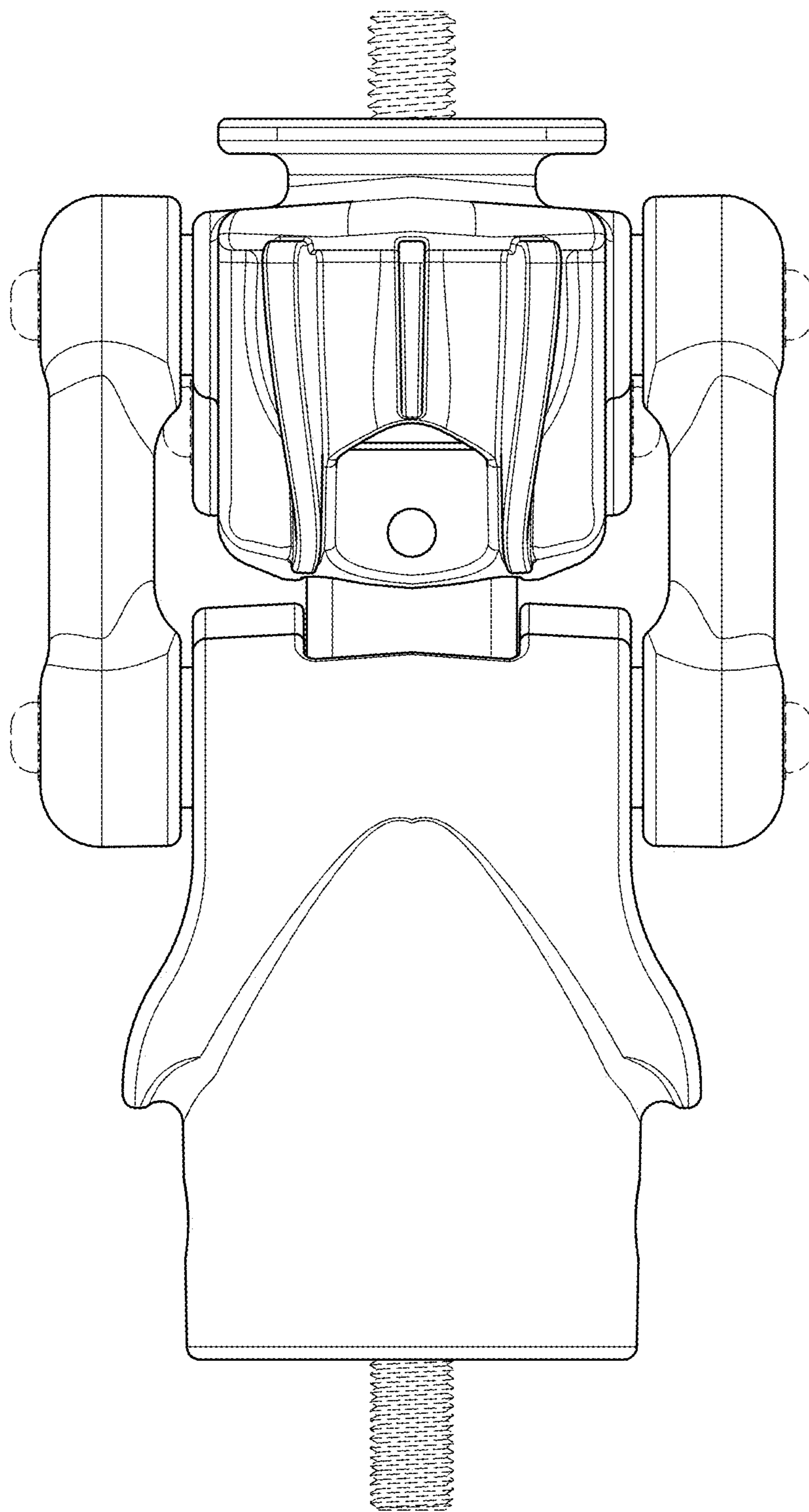


FIG. 10

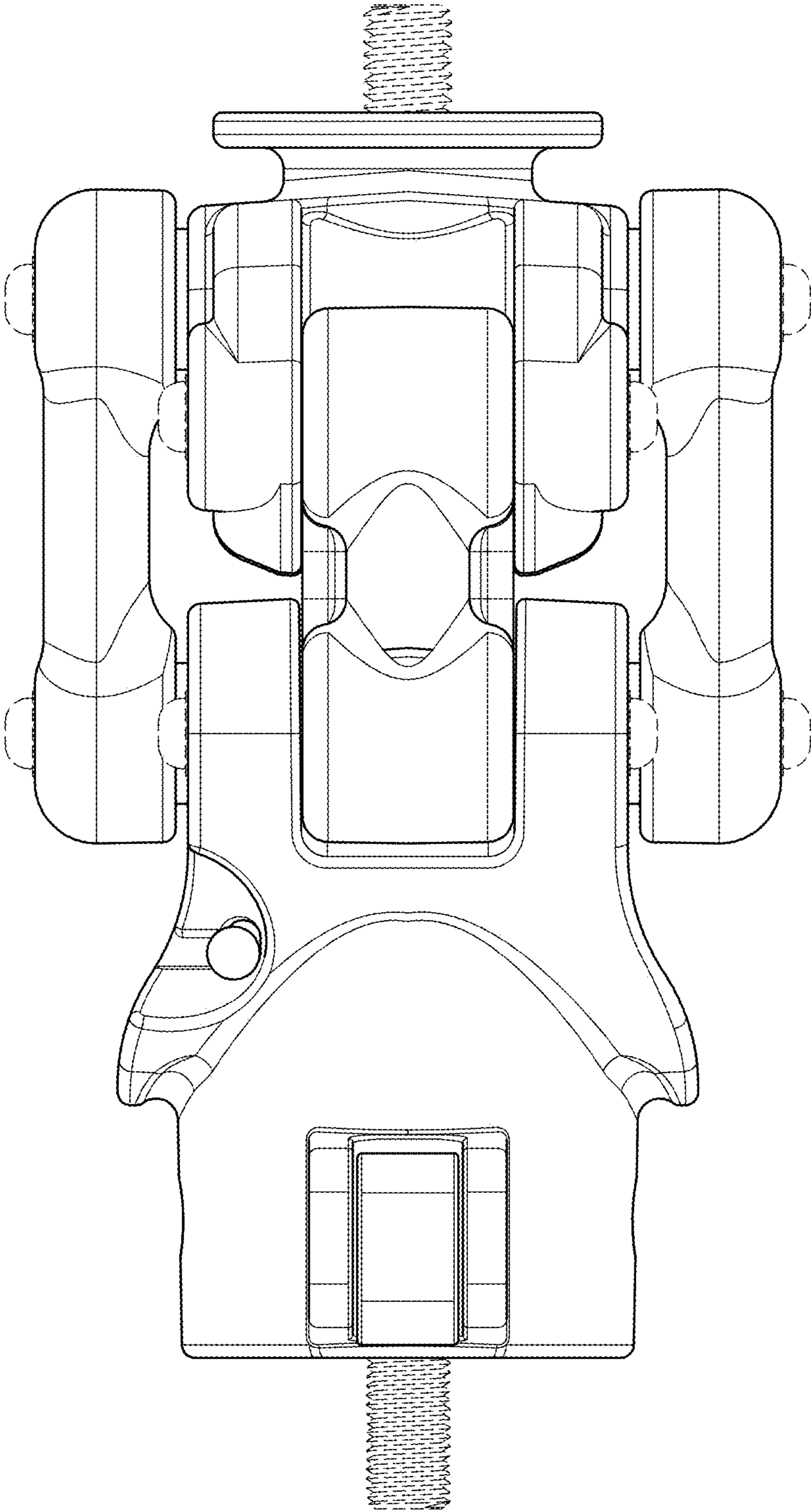


FIG. 11

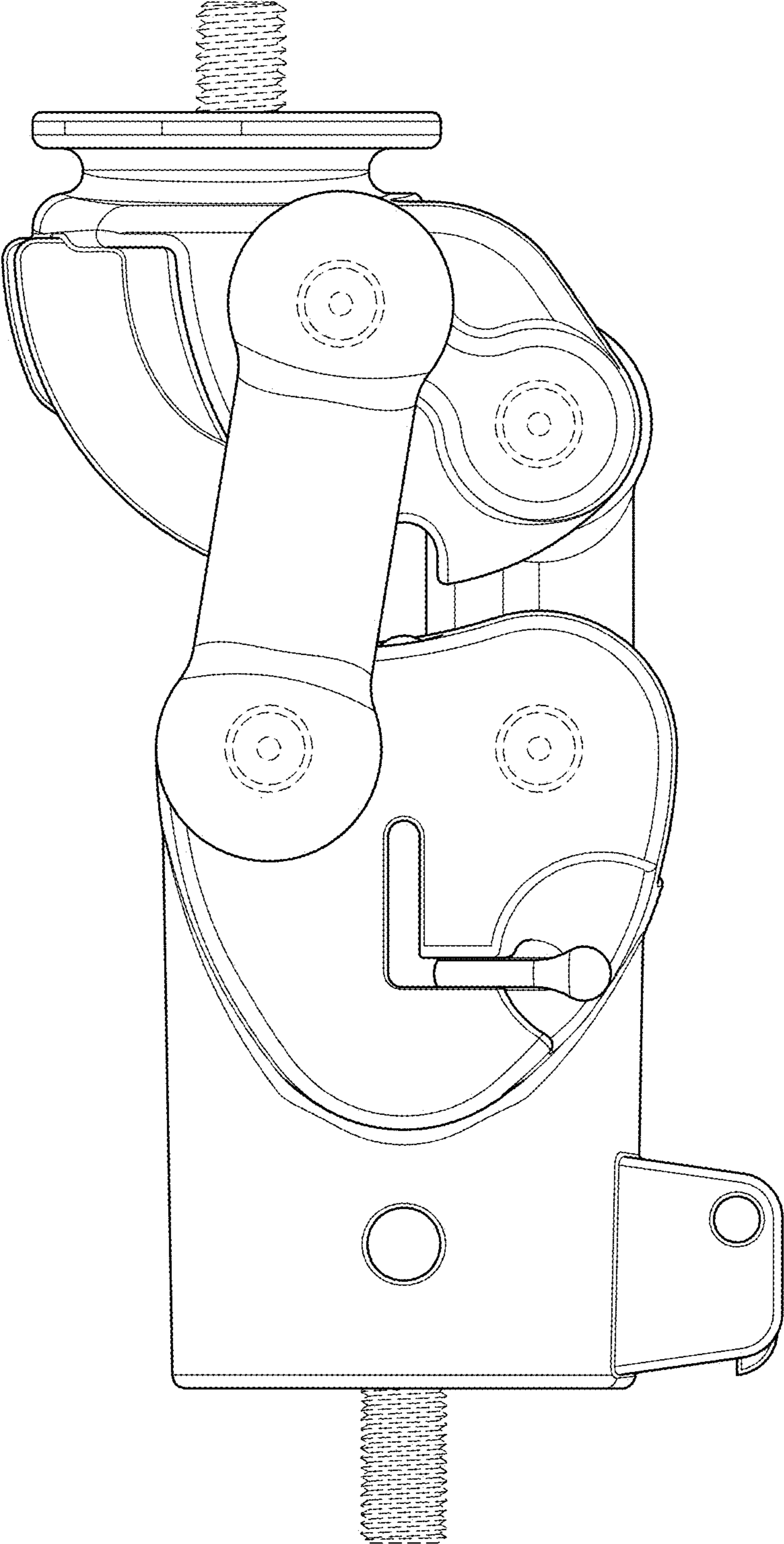


FIG. 12

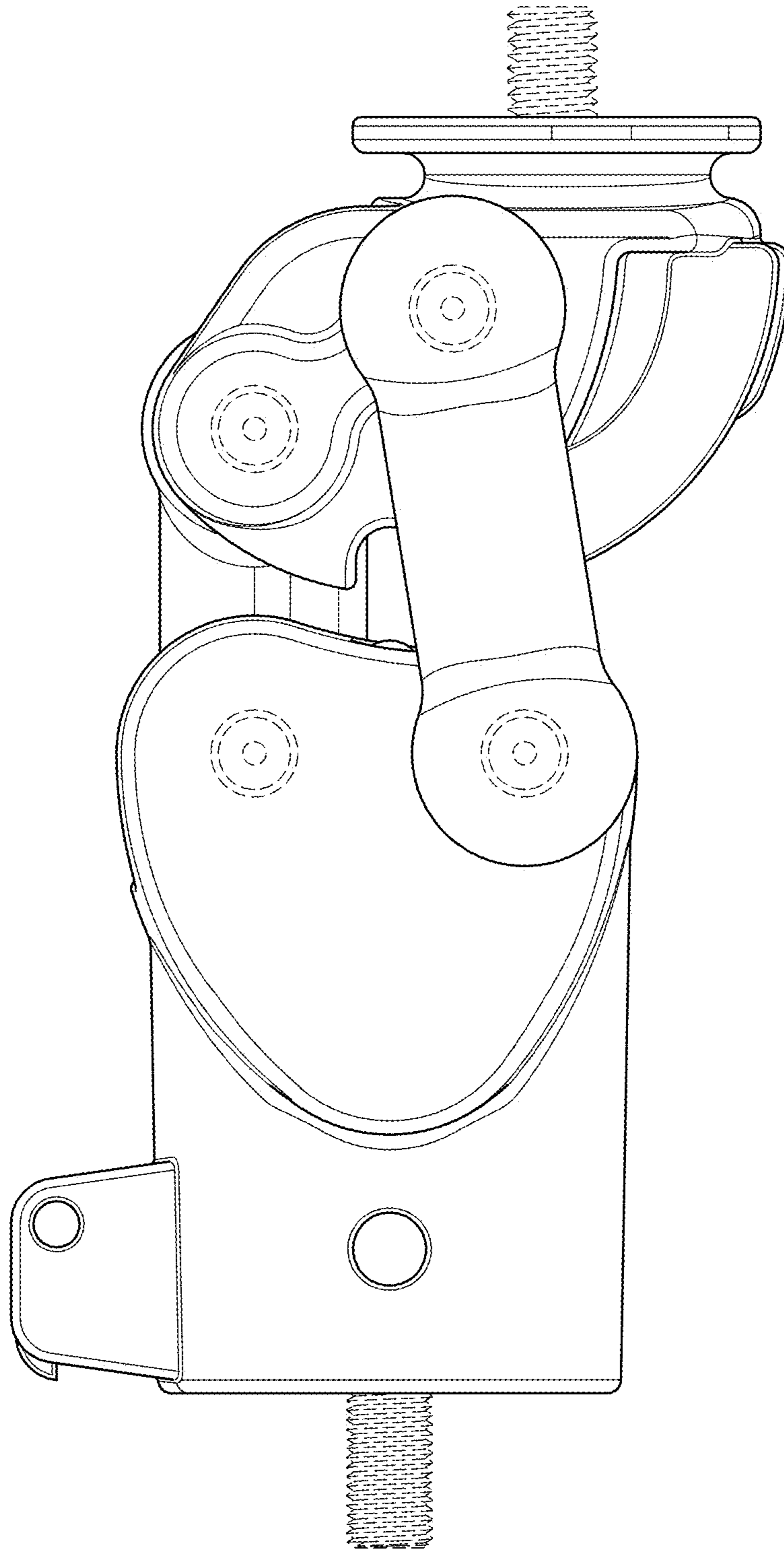


FIG. 13

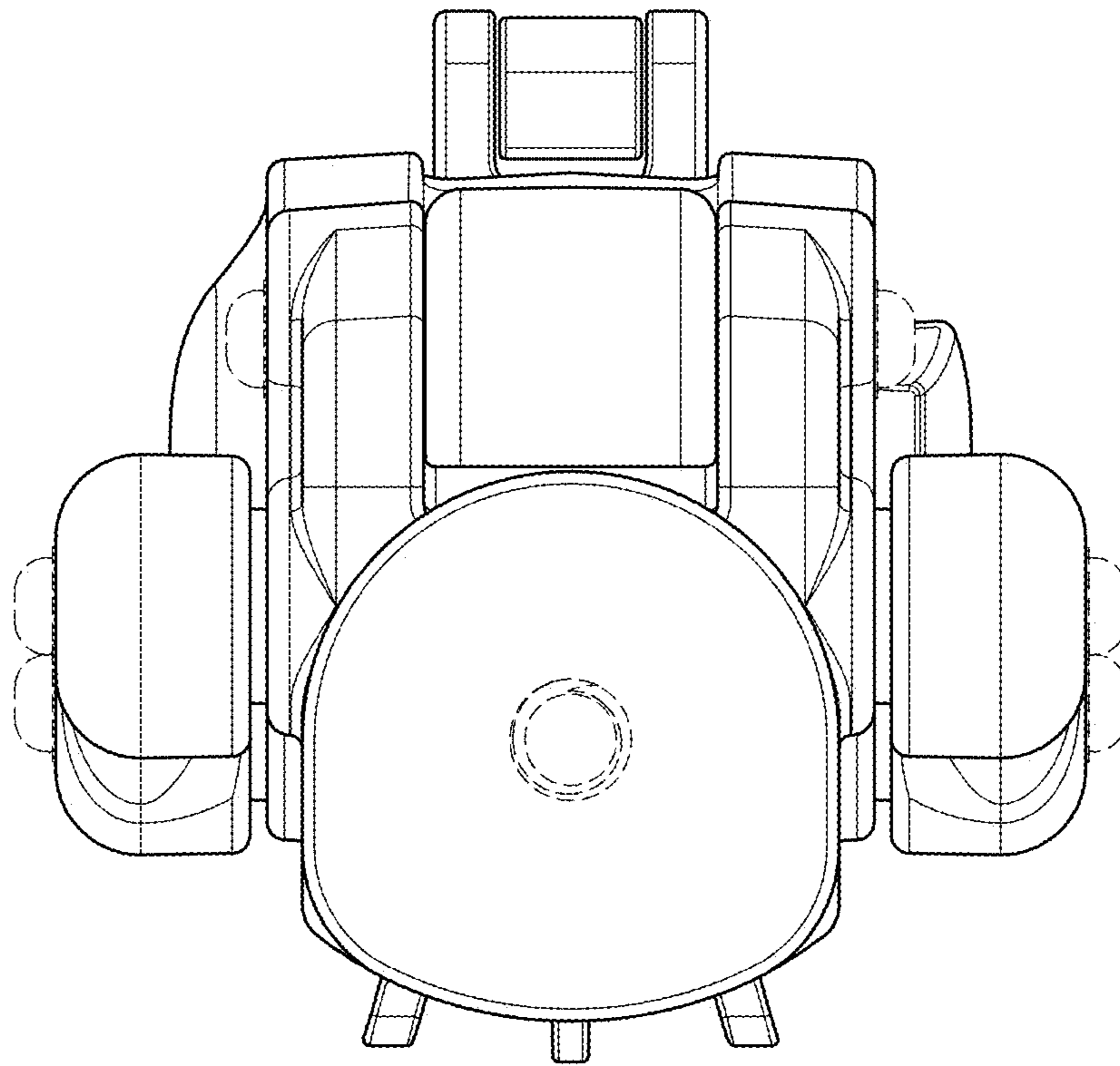


FIG. 14

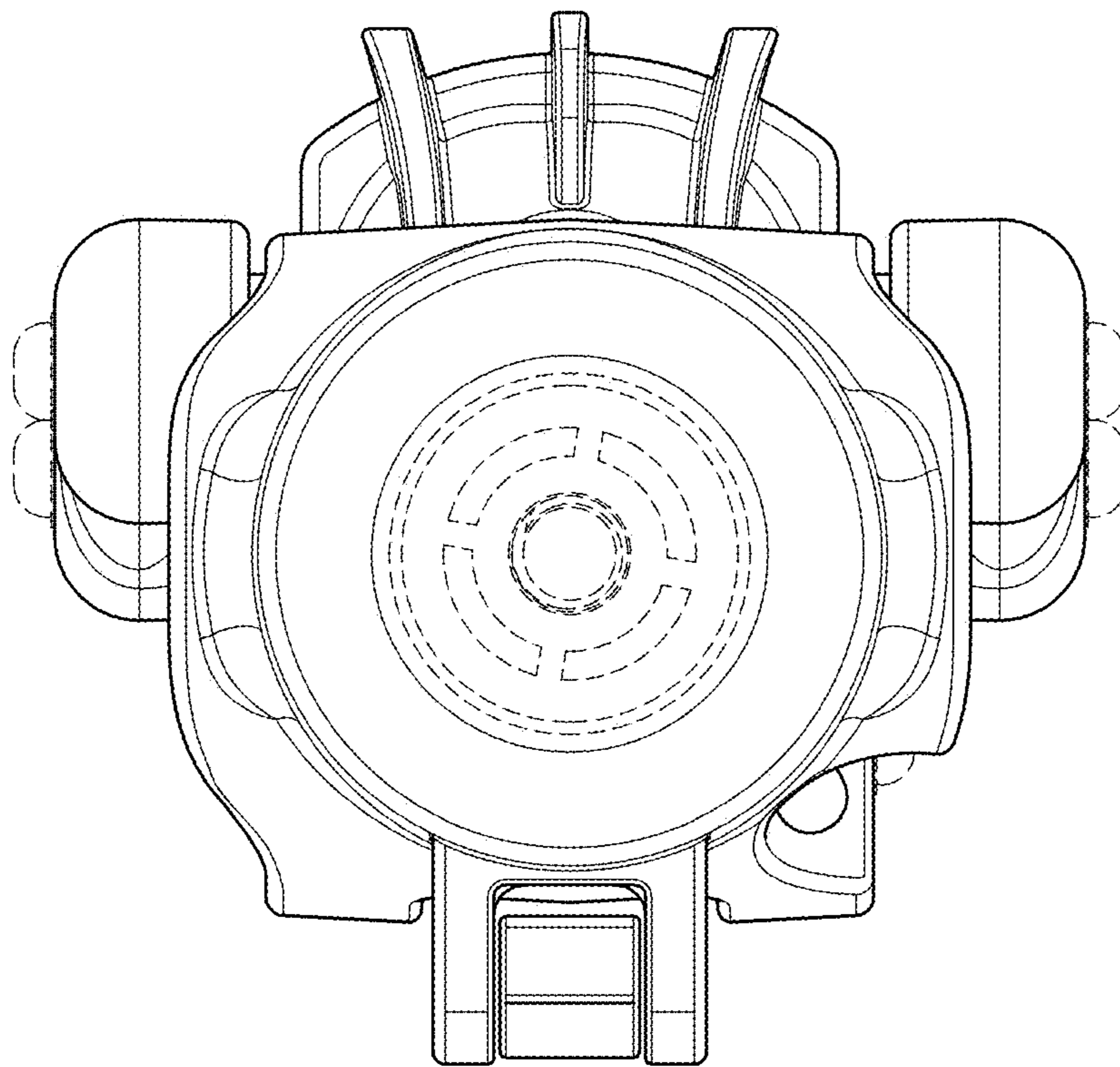


FIG. 15

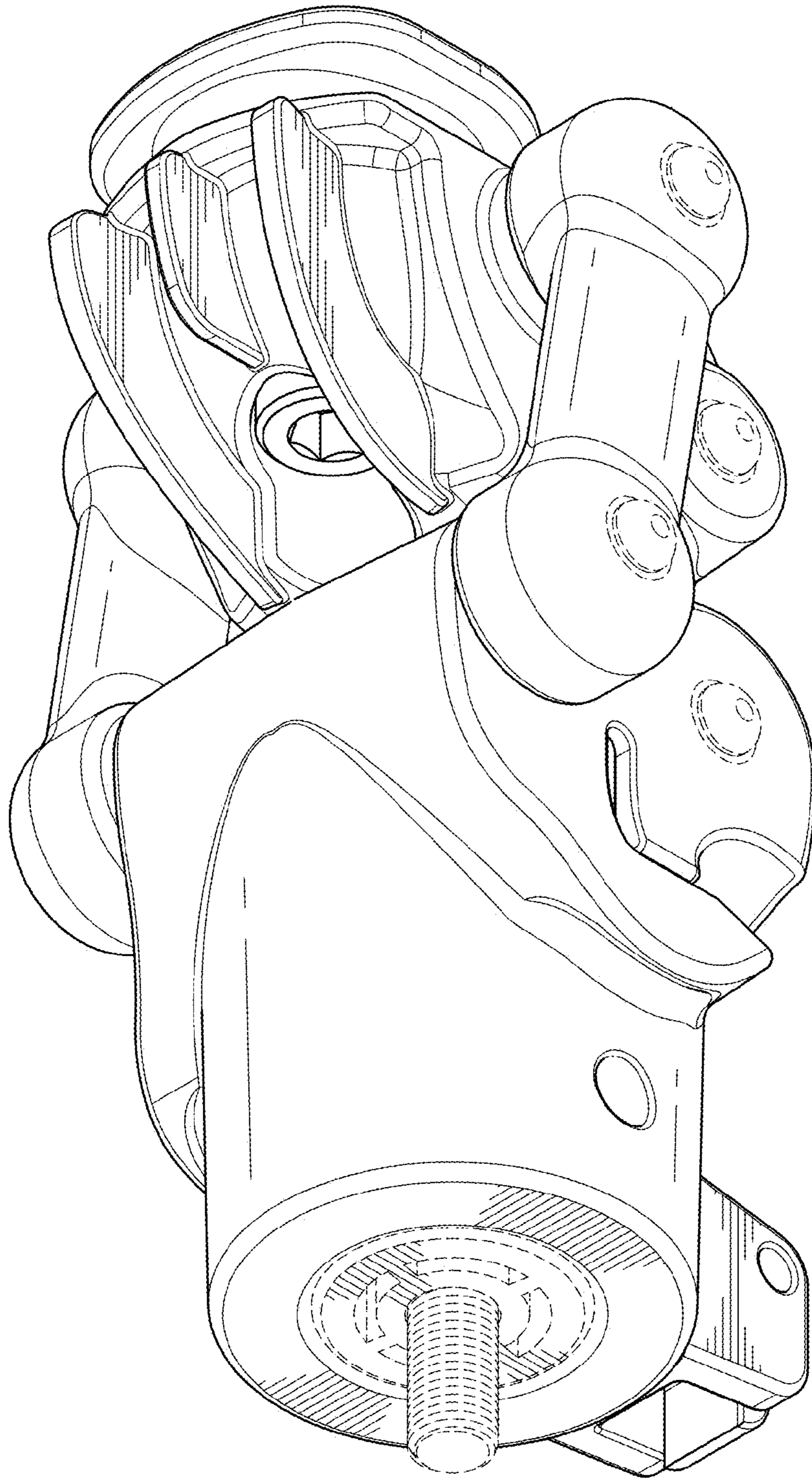


FIG. 16