

US00D732166S

(12) **United States Design Patent**  
**Lualdi**

(10) **Patent No.:** **US D732,166 S**  
(45) **Date of Patent:** **\*\* Jun. 16, 2015**

(54) **MILLING TOOL FOR PROSTHETIC SURGERY OPERATIONS**

(71) Applicant: **HPF SPA**, Forgaria nel Friuli (Ud) (IT)

(72) Inventor: **Tommaso Lualdi**, Fagagna (IT)

(73) Assignee: **HPF SPA**, Forgaria nel Friuli (Ud) (IT)

(\*\*) Term: **14 Years**

(21) Appl. No.: **29/472,366**

(22) Filed: **Nov. 12, 2013**

(30) **Foreign Application Priority Data**

May 20, 2013 (EM) ..... 2240341-0005

(51) **LOC (10) Cl.** ..... **24-02**

(52) **U.S. Cl.**  
USPC ..... **D24/146**

(58) **Field of Classification Search**  
USPC ..... D7/649; D8/6-8, 80, 90, 98, 300, 397;  
D19/110; D24/127, 133, 145, 146,  
D24/147, 171; 30/151, 162, 338, 339;  
606/79, 80, 81, 82, 88, 167, 168, 169,  
606/171, 176, 297  
CPC ..... A61B 17/1671; A61B 17/14; A61B  
17/3211; A61B 17/320758; A61B 17/320092;  
A61B 17/141; A61F 9/00763

See application file for complete search history.

(56) **References Cited**

U.S. PATENT DOCUMENTS

6,129,732	A *	10/2000	Lechot	606/80
D579,562	S *	10/2008	Anderson et al.	D24/133
7,749,227	B2 *	7/2010	Lechot et al.	606/80
2002/0010470	A1 *	1/2002	Lechot	606/80
2003/0216716	A1 *	11/2003	Desarzens	606/1
2005/0203525	A1 *	9/2005	White et al.	606/80
2005/0216020	A1 *	9/2005	Orton	606/80
2005/0251145	A1 *	11/2005	Desarzens et al.	606/80
2006/0095041	A1 *	5/2006	Fehlbaum et al.	606/81
2007/0173847	A1 *	7/2007	Guelat et al.	606/80
2008/0255562	A1 *	10/2008	Gil et al.	606/79
2008/0300600	A1 *	12/2008	Guelat et al.	606/80

FOREIGN PATENT DOCUMENTS

DE 102014106373 A1 \* 11/2014

\* cited by examiner

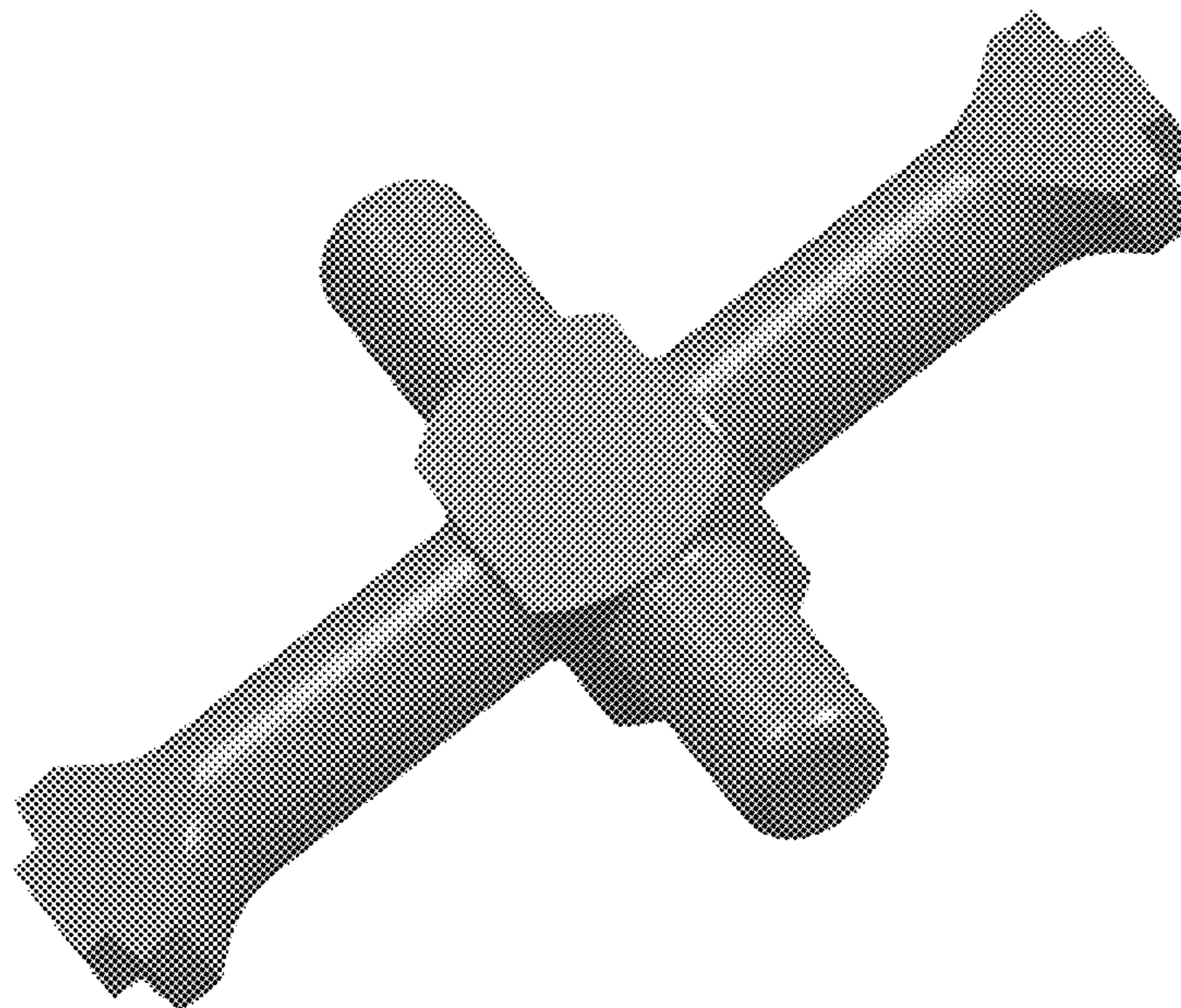
*Primary Examiner* — Robert M Spear  
*Assistant Examiner* — Marissa J Cash  
(74) *Attorney, Agent, or Firm* — Rankin, Hill & Clark LLP

(57) **CLAIM**  
The ornamental design for a milling tool for prosthetic surgery operations, as shown and described.

**DESCRIPTION**

FIG. 1 is a perspective view of a milling tool for prosthetic surgery operations;  
FIG. 2 is a left side view thereof;  
FIG. 3 is a front view thereof;  
FIG. 4 is a right side view thereof;  
FIG. 5 is a rear view thereof;  
FIG. 6 is a top view thereof; and,  
FIG. 7 is a bottom view thereof.

**1 Claim, 7 Drawing Sheets**



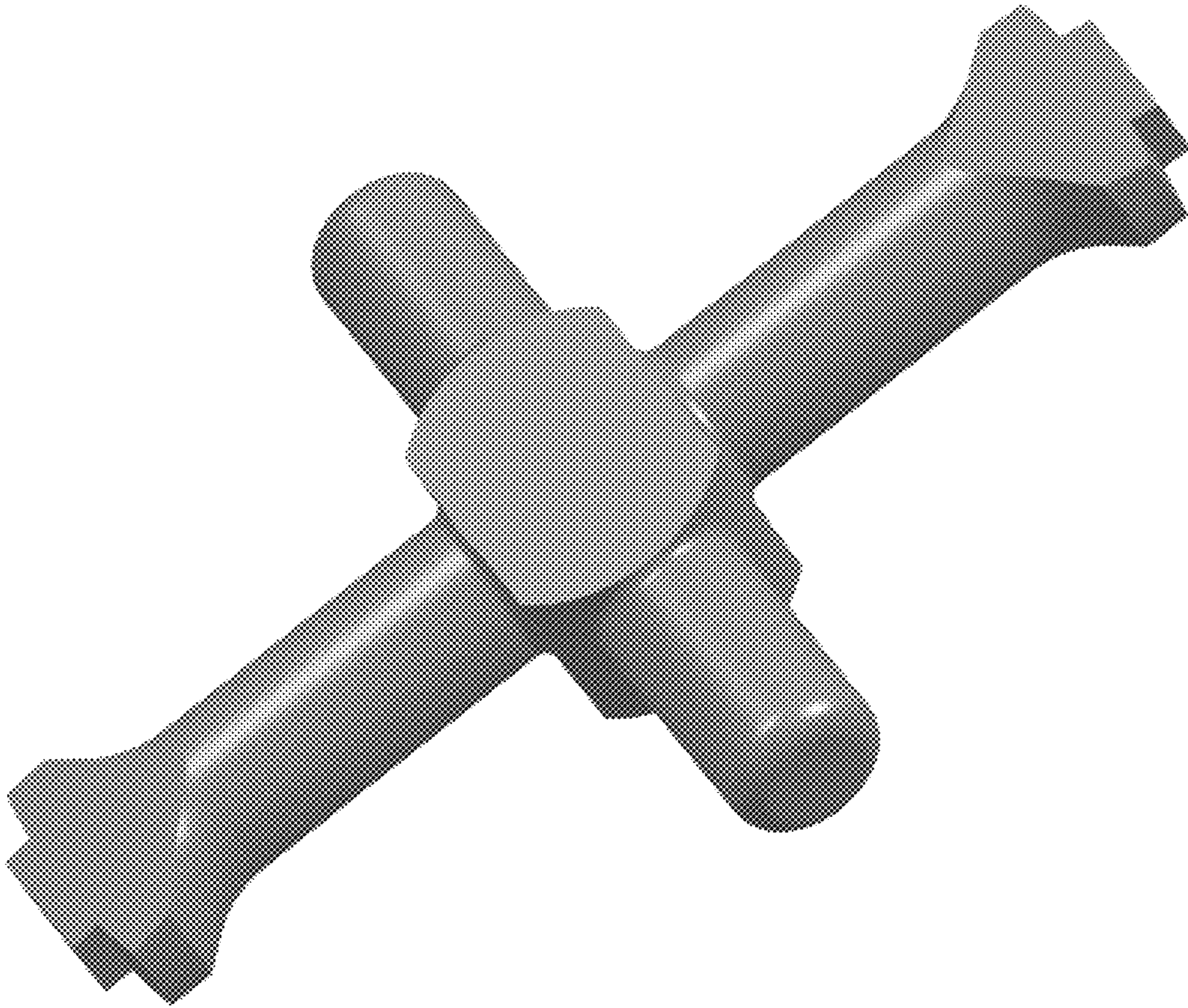


FIG. 1

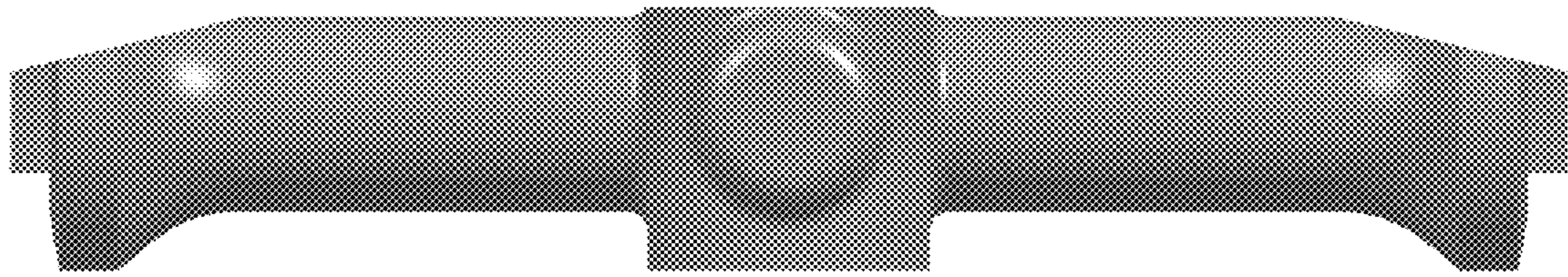


FIG. 2



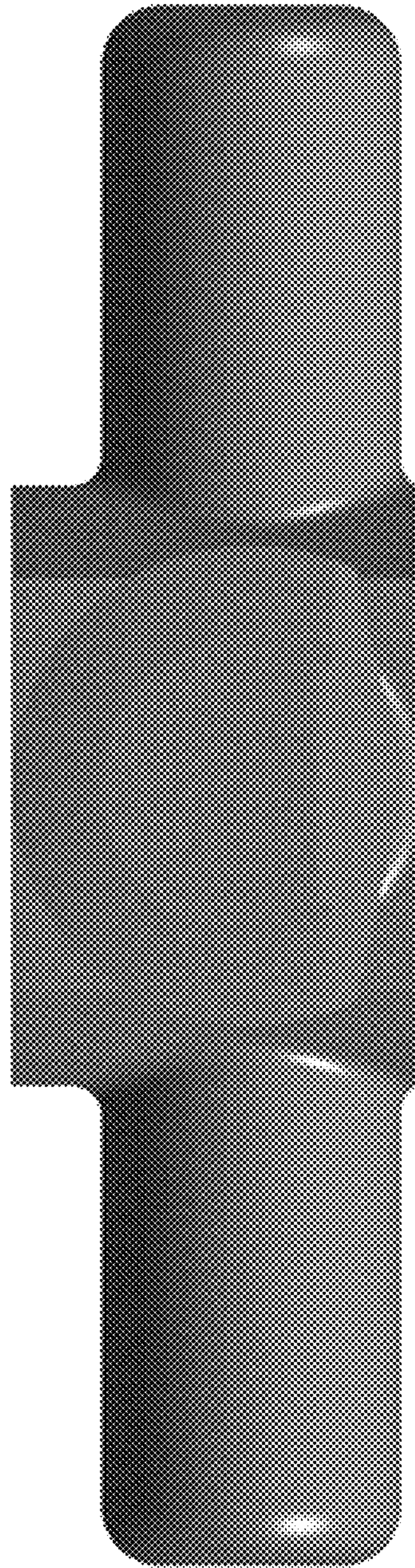


FIG. 3

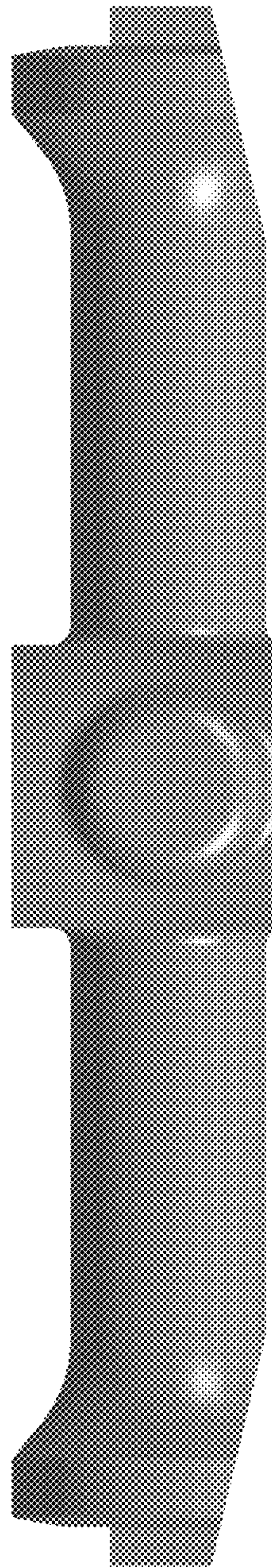


FIG. 4



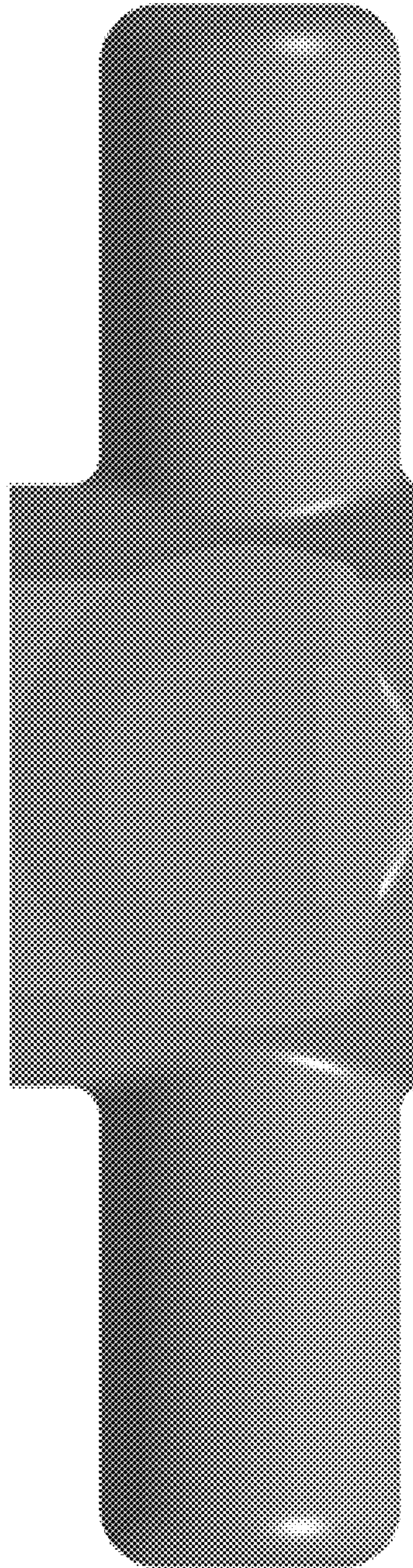


FIG. 5

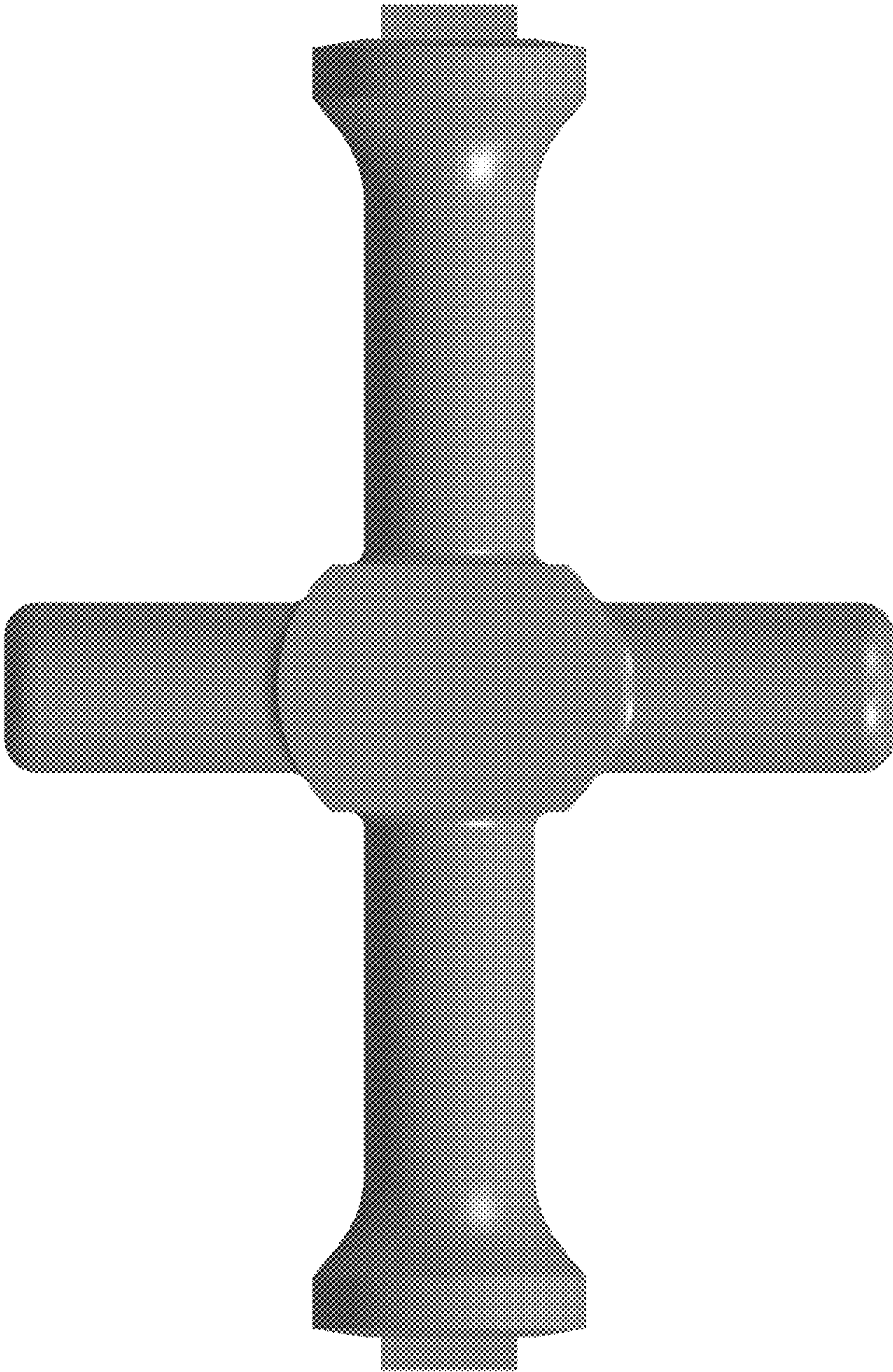


FIG. 6



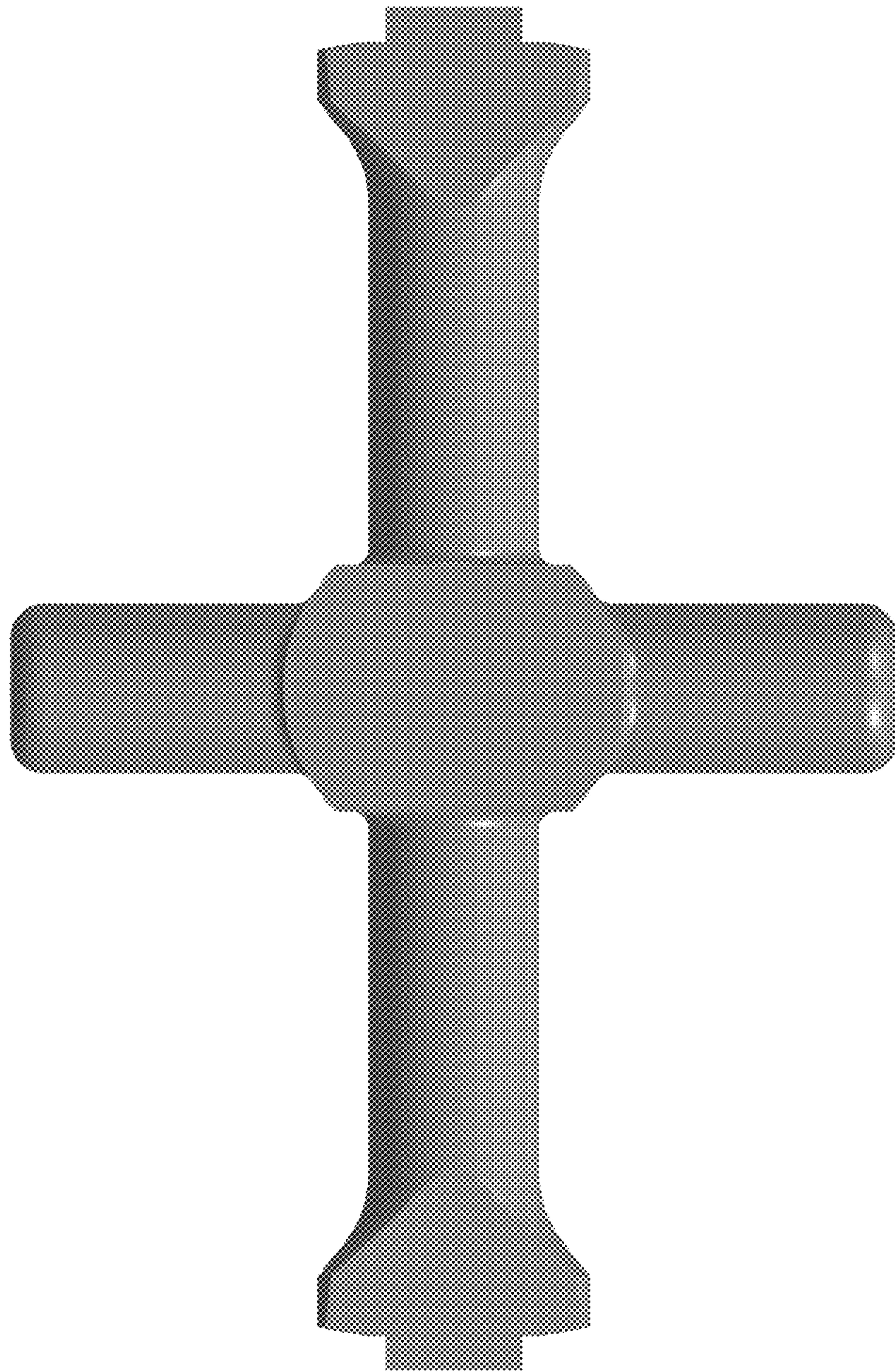


FIG. 7