



US00D732164S

(12) **United States Design Patent**
Woloszko et al.

(10) **Patent No.:** **US D732,164 S**
(45) **Date of Patent:** **** Jun. 16, 2015**

- (54) **ELECTROSURGICAL WAND DISTAL TIP**
(71) Applicant: **ArthroCare Corporation**, Austin, TX (US)
(72) Inventors: **Jean Woloszko**, Austin, TX (US); **Johnson E. Goode**, Austin, TX (US)
(73) Assignee: **ArthroCare Corporation**, Austin, TX (US)

- (**) Term: **14 Years**
(21) Appl. No.: **29/487,724**
(22) Filed: **Apr. 11, 2014**

Related U.S. Application Data

- (63) Continuation-in-part of application No. 14/189,280, filed on Feb. 25, 2014, and a continuation-in-part of application No. 14/189,537, filed on Feb. 25, 2014, and a continuation-in-part of application No. 14/189,368, filed on Feb. 25, 2014.
(51) **LOC (10) Cl.** **24-02**
(52) **U.S. Cl.**
USPC **D24/144**
(58) **Field of Classification Search**
USPC D24/144, 133, 146–147, 127, 129–130;
606/27, 32, 39–41, 48
See application file for complete search history.

(56) **References Cited**

U.S. PATENT DOCUMENTS

5,766,153	A *	6/1998	Eggers et al.	606/34
D396,108	S	7/1998	Garito et al.	D24/144
6,273,886	B1	8/2001	Edwards et al.	606/34
6,379,350	B1 *	4/2002	Sharkey et al.	606/41
6,494,880	B1	12/2002	Swanson et al.	606/40
D479,846	S	9/2003	Kreikemeier et al.	D14/486
D480,092	S	9/2003	Kreikemeier et al.	D14/486
6,977,495	B2	12/2005	Donofrio	606/42

D553,144	S	10/2007	Blencowe	D14/486
D563,977	S	3/2008	Carl et al.	D14/486
7,476,233	B1	1/2009	Wiener et al.	606/169
7,481,807	B2 *	1/2009	Knudsen et al.	606/41
D600,714	S	9/2009	LaManna et al.	D14/492
7,582,084	B2	9/2009	Swanson et al.	606/40
D602,031	S	10/2009	Vu et al.	D14/485
D614,192	S	4/2010	Tankano et al.	D14/486
7,901,403	B2 *	3/2011	Woloszko et al.	606/48
8,052,675	B2	11/2011	Lorang et al.	606/34
8,192,424	B2	6/2012	Woloszko	606/40
D670,386	S	11/2012	Yanagawa	D24/144

(Continued)

Primary Examiner — Wan Laymon

(74) *Attorney, Agent, or Firm* — Norman F. Hainer

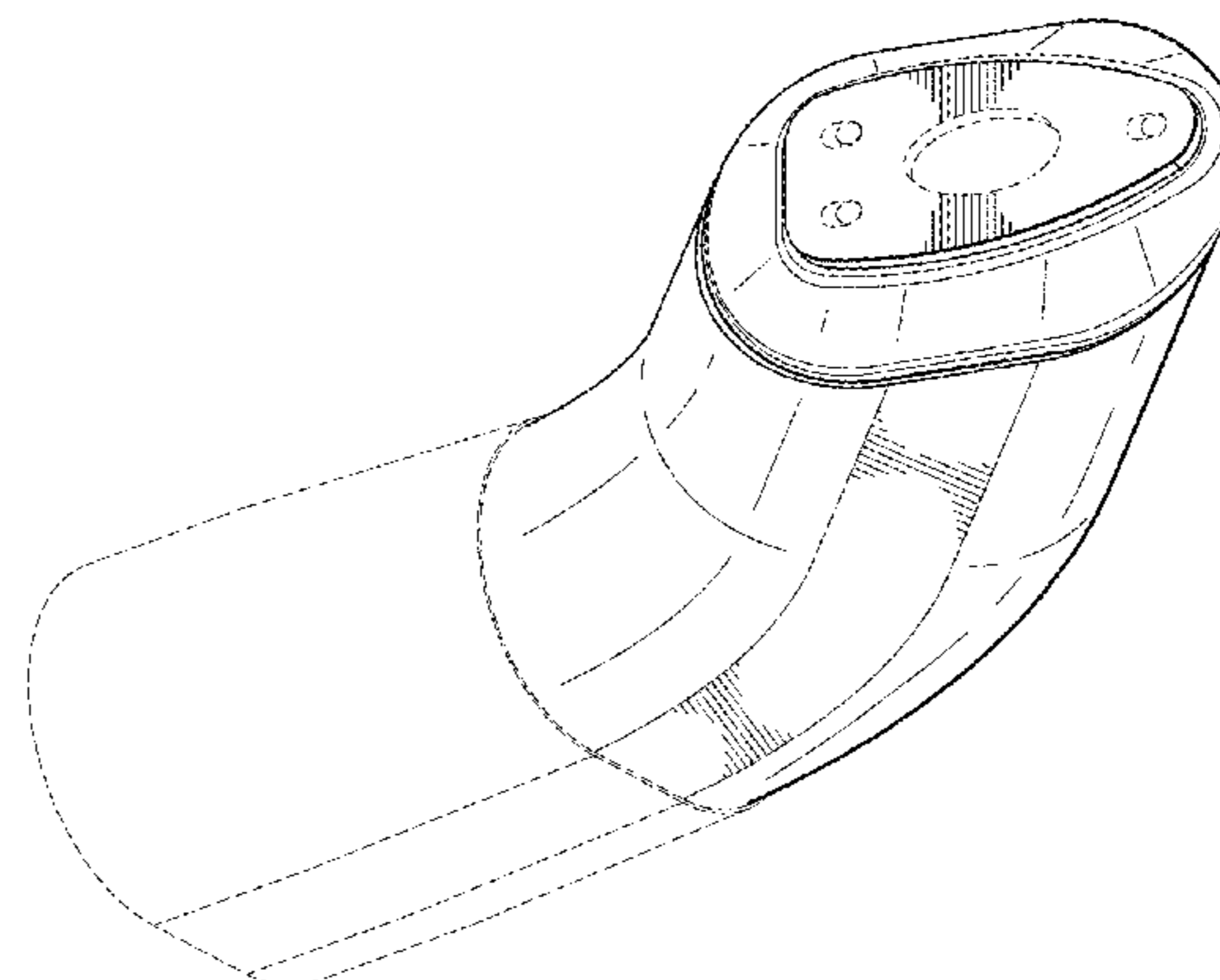
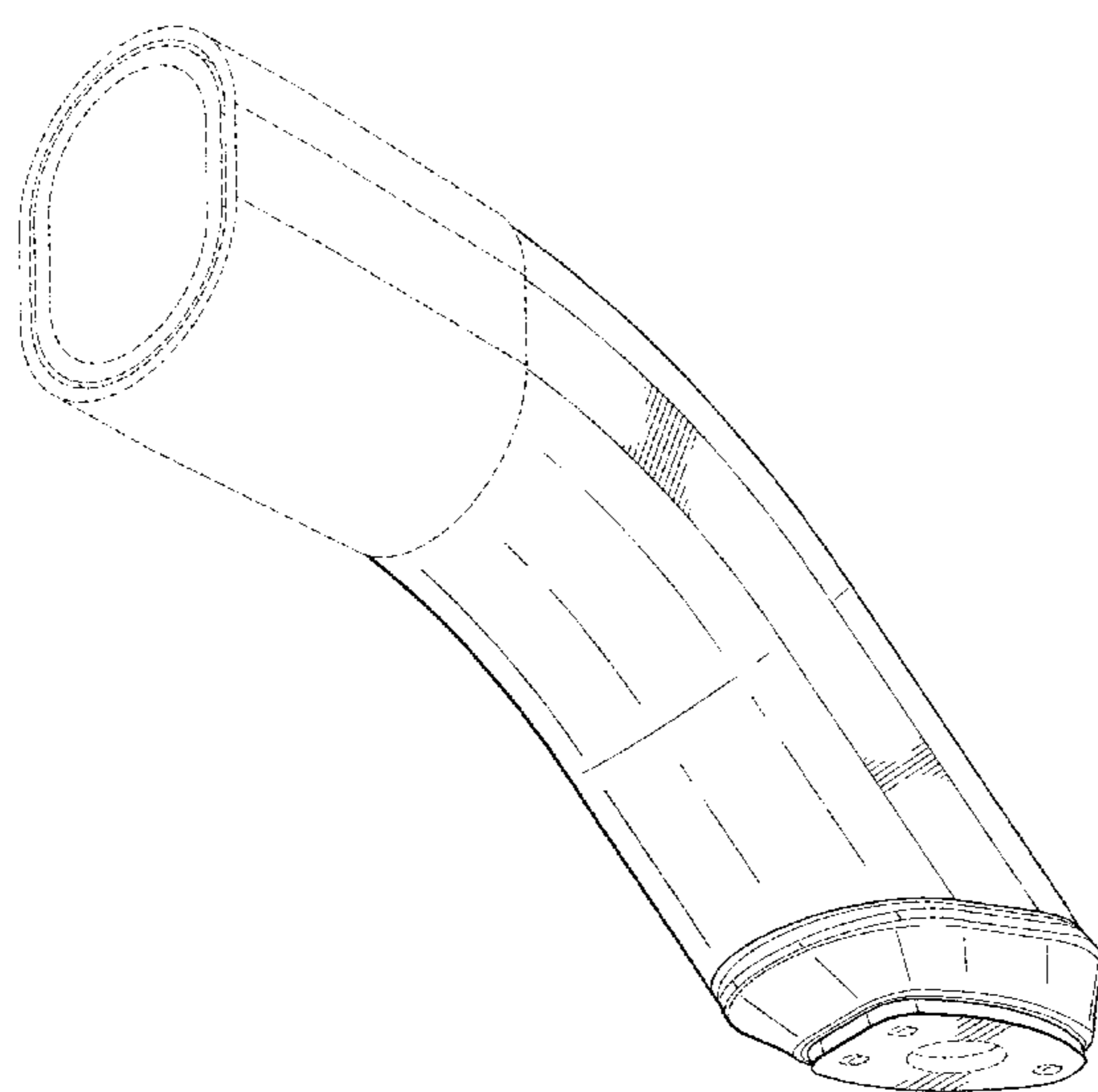
(57) **CLAIM**

The ornamental design for an electrosurgical wand distal tip, as shown and described.

DESCRIPTION

FIG. 1 is a perspective view of an electrosurgical wand distal tip, showing our new design;
FIG. 2 is a perspective view thereof, from an alternate angle;
FIG. 3 is a front elevation view thereof, oriented parallel with a proximal lumen axis;
FIG. 4 is a front elevation view thereof, oriented parallel with a distal end surface of distal tip;
FIG. 5 is a back elevation view thereof, oriented parallel with a distal end surface of distal tip;
FIG. 6 is a top elevation view thereof, perpendicular to the distal end surface;
FIG. 7 is a top elevation view thereof, perpendicular to the proximal lumen axis; and,
FIG. 8 is a right side elevation view thereof, perpendicular to the proximal lumen axis;
The portion of the electrosurgical wand distal tip depicted in broken lines form no part of the claimed design. The left side elevation view has been omitted as it is a mirror image of the right elevation view presented.

1 Claim, 5 Drawing Sheets



(56)

References Cited

U.S. PATENT DOCUMENTS

D672,784 S	12/2012	Clanton et al.	D14/485	8,840,610 B2 *	9/2014	Humble	606/41
D684,587 S	6/2013	Plesnicher et al.	D14/486	8,845,576 B2 *	9/2014	Kramer et al.	606/41
8,551,088 B2	10/2013	Falkenstein et al.	606/51	2008/0172048 A1	7/2008	Martin et al.	606/34
8,574,187 B2	11/2013	Marion	604/41	2008/0229226 A1	9/2008	Rowbottom et al.	715/771
D695,757 S	12/2013	Ray et al.	D14/486	2010/0204690 A1 *	8/2010	Bigley et al.	606/41
D699,255 S	2/2014	Kim et al.	D14/486	2012/0083782 A1 *	4/2012	Stalder et al.	606/41
D701,515 S	3/2014	Matas et al.	D14/486	2012/0101494 A1	4/2012	Cadouri et al.	606/41
				2012/0203219 A1 *	8/2012	Evans et al.	606/41
				2012/0215221 A1	8/2012	Woloszko	606/50
				2014/0200581 A1 *	7/2014	Aluru et al.	606/48

* cited by examiner

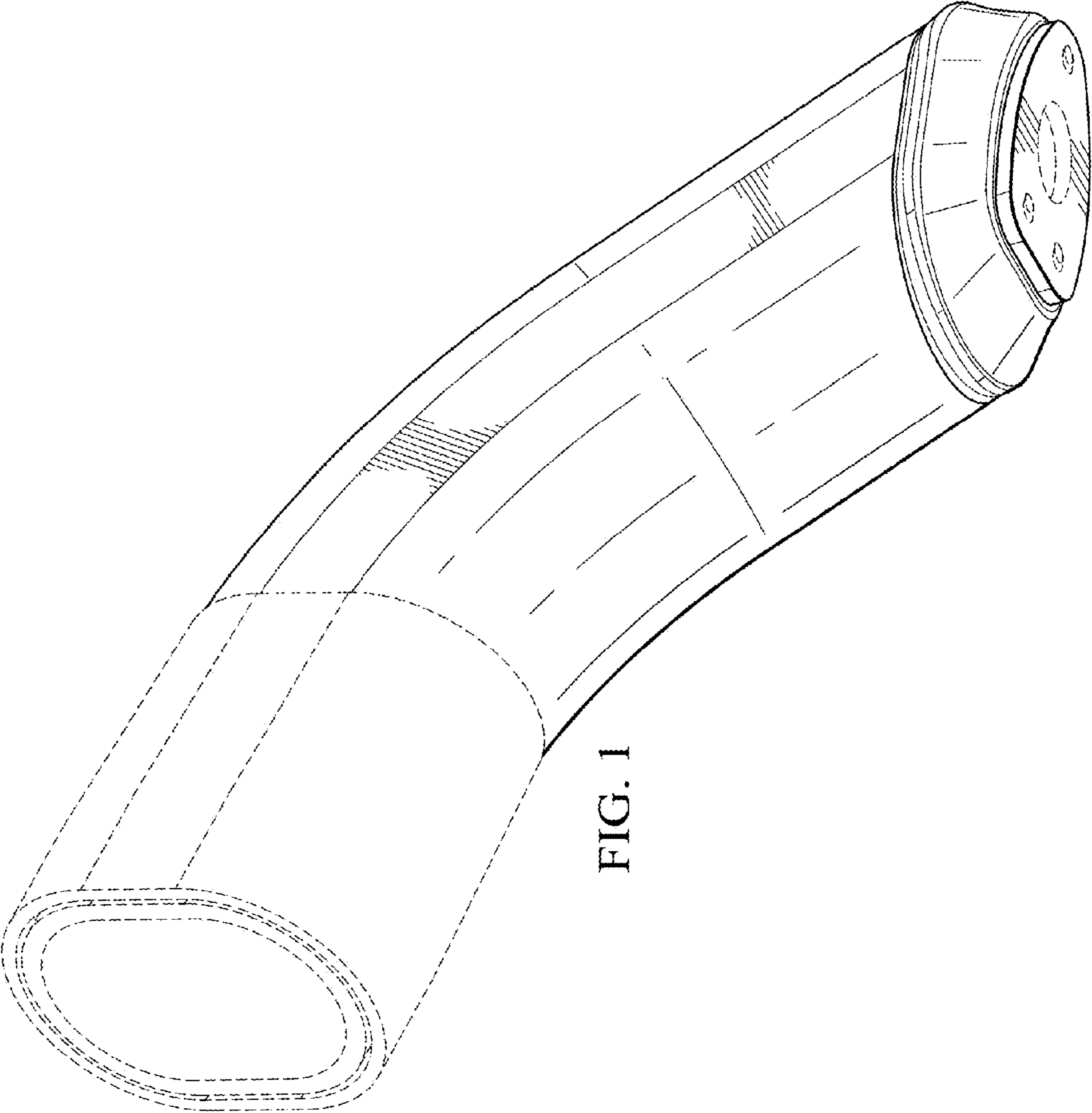


FIG. 1

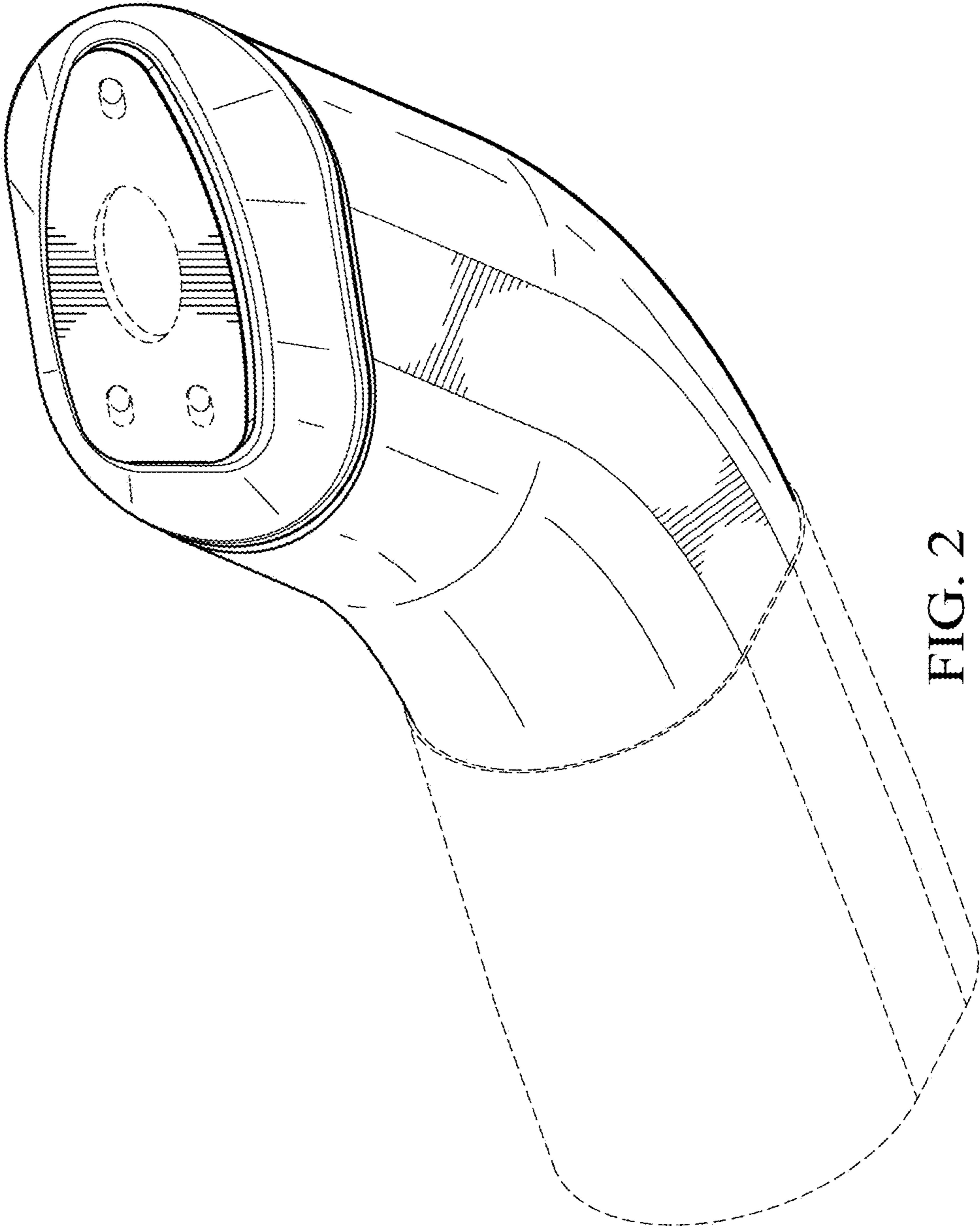


FIG. 2

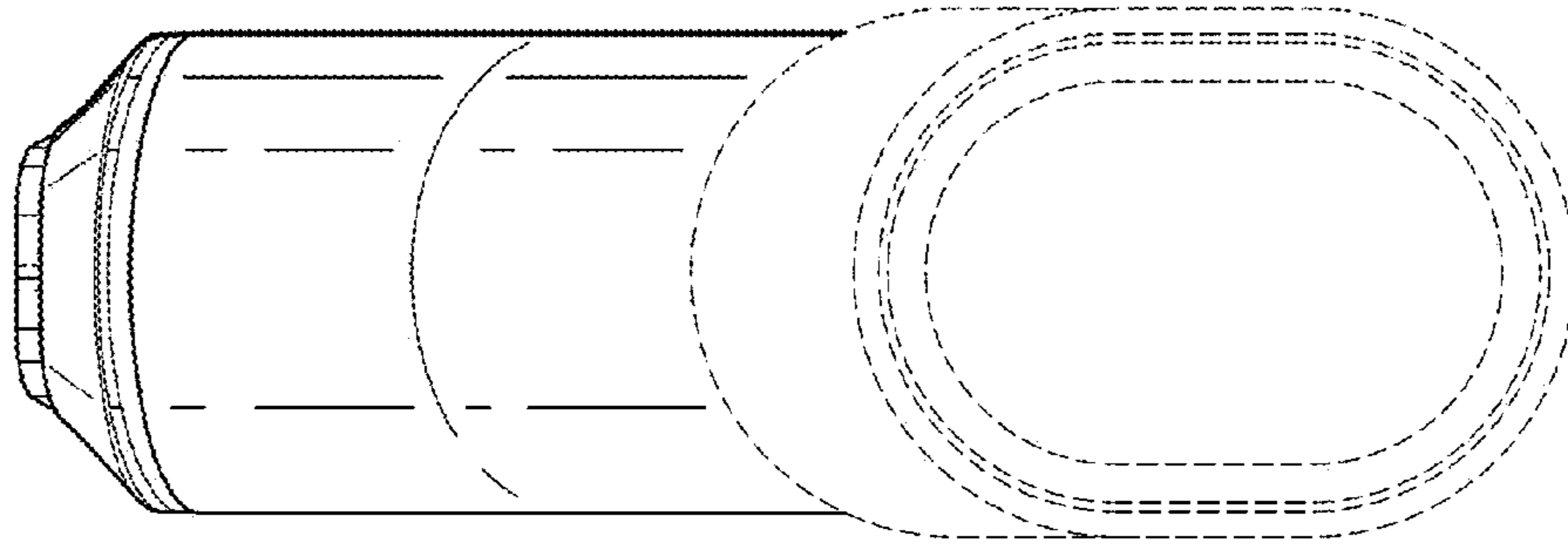


FIG. 5

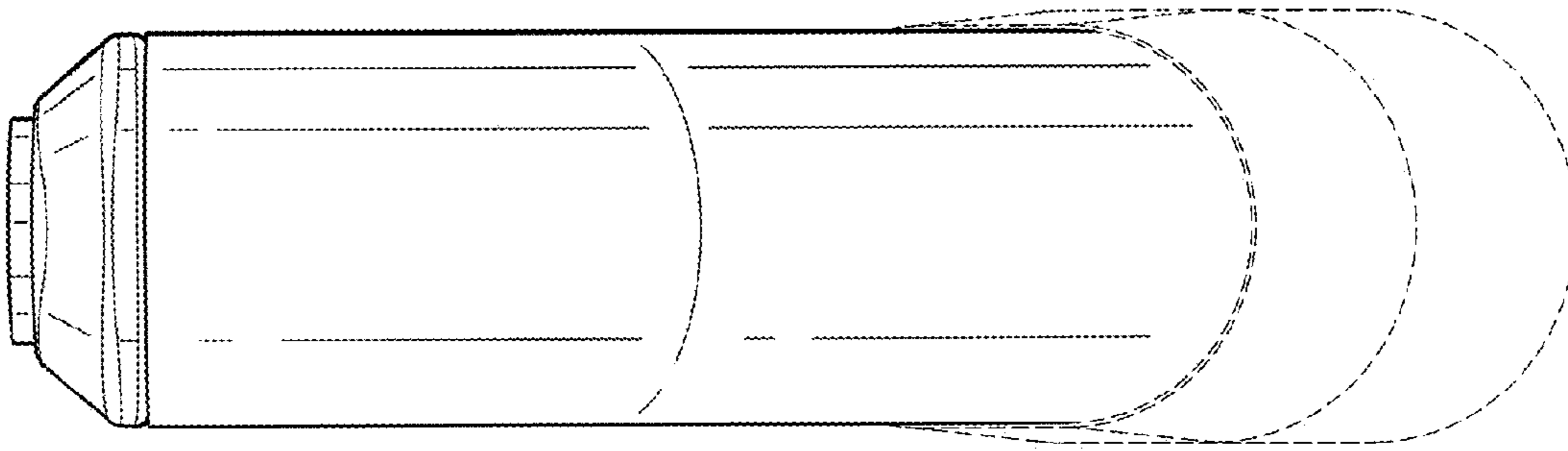


FIG. 4

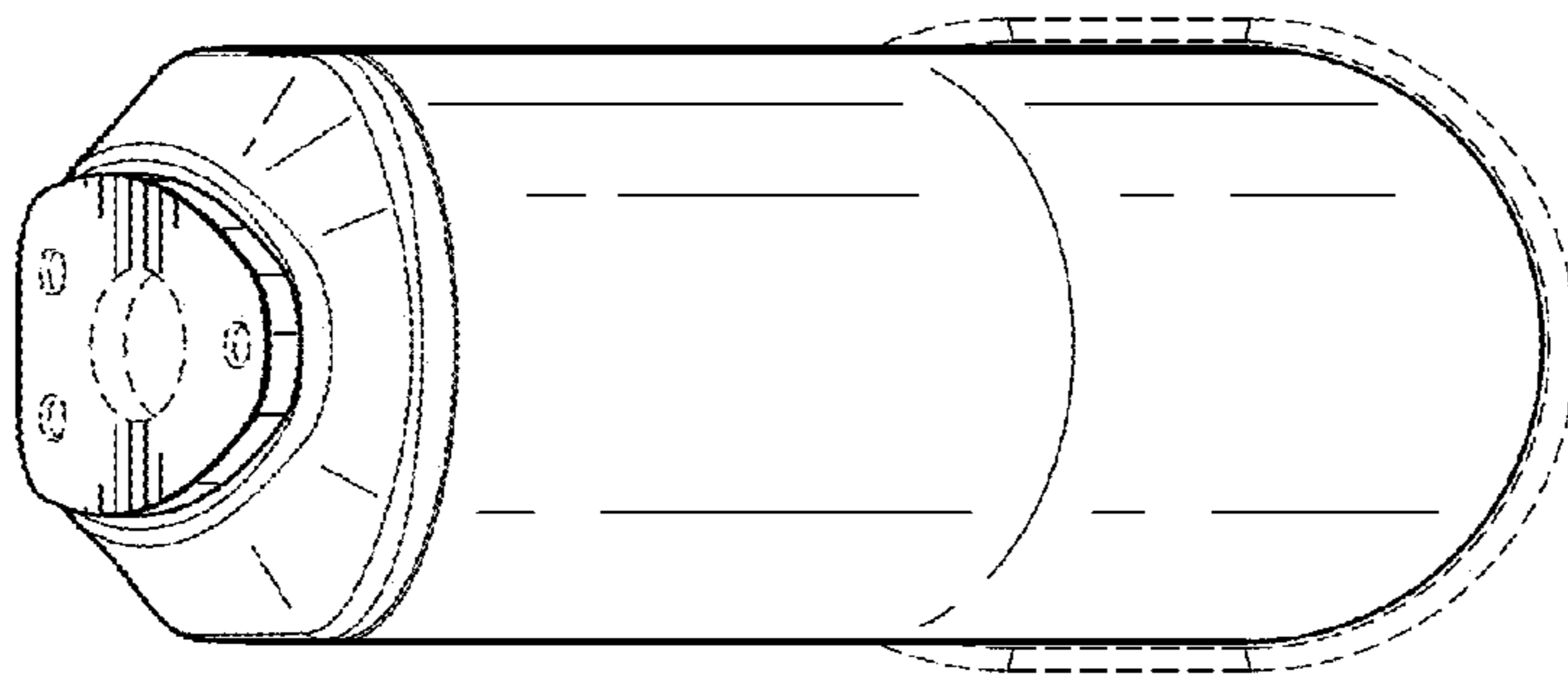


FIG. 3

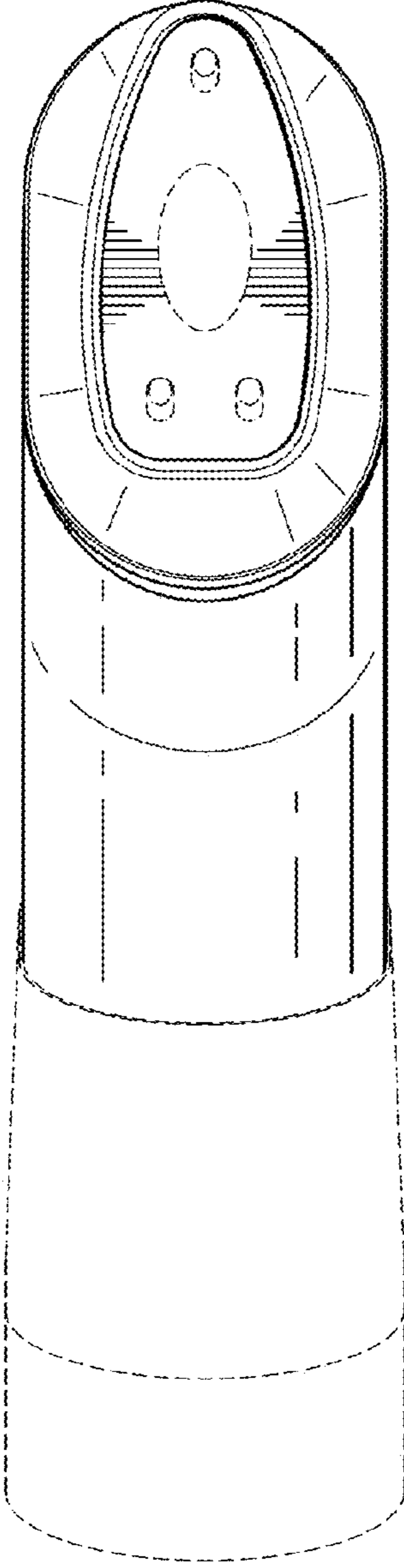


FIG. 6

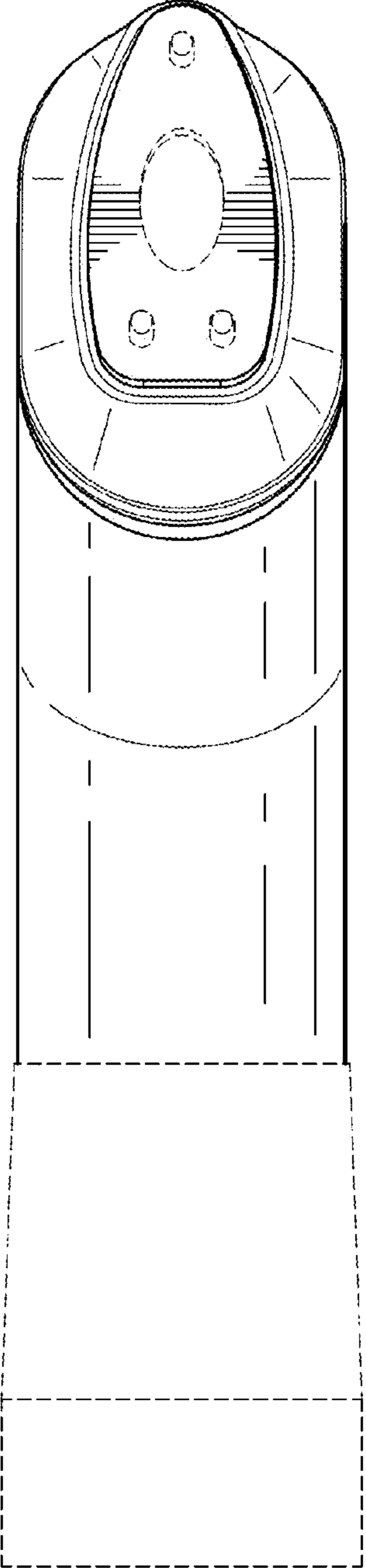


FIG. 7

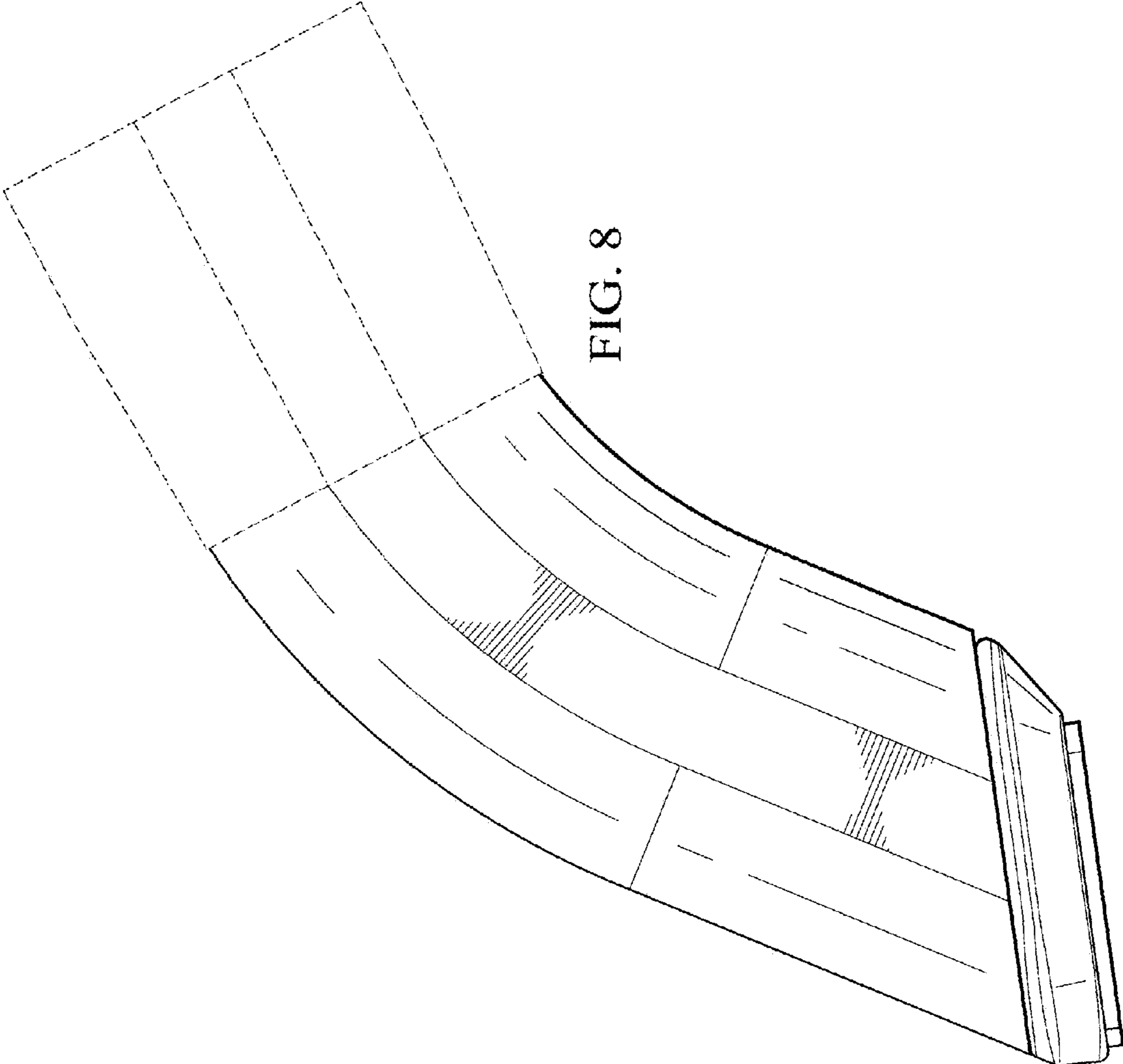


FIG. 8