



US00D732161S

(12) **United States Design Patent**
Ohashi

(10) **Patent No.:** **US D732,161 S**
(45) **Date of Patent:** **** Jun. 16, 2015**

(54) **INTRADERMAL INJECTION DEVICE**

(71) Applicant: **Terumo Kabushiki Kaisha**, Shibuya-ku,
Tokyo (JP)

(72) Inventor: **Hiroataka Ohashi**, Tokyo (JP)

(73) Assignee: **Terumo Kabushiki Kaisha**, Shibuya-ku,
Tokyo (JP)

(**) Term: **14 Years**

(21) Appl. No.: **29/510,029**

(22) Filed: **Nov. 24, 2014**

Related U.S. Application Data

(62) Division of application No. 29/432,346, filed on Sep.
14, 2012, now Pat. No. Des. 721,802.

(30) **Foreign Application Priority Data**

Mar. 23, 2012 (JP) 2012-006606
Mar. 23, 2012 (JP) 2012-006607
Mar. 23, 2012 (JP) 2012-006609

(51) **LOC (10) Cl.** **24-02**

(52) **U.S. Cl.**
USPC **D24/113**

(58) **Field of Classification Search**
USPC D24/107, 108, 112, 113; 604/19, 48,
604/93.01, 181, 187, 192, 198, 197
See application file for complete search history.

(56) **References Cited**

U.S. PATENT DOCUMENTS

4,664,653 A * 5/1987 Sagstetter et al. 604/197
D319,711 S * 9/1991 Fujisawa D28/50
5,674,205 A * 10/1997 Pasricha et al. 604/232
D418,917 S 1/2000 Duchon et al.
6,575,939 B1 * 6/2003 Brunel 604/187

D488,864 S 4/2004 Fago et al.
D519,633 S 4/2006 Weekes et al.
D561,894 S 2/2008 Hudson
D628,690 S * 12/2010 Galbraith D24/114
D660,958 S 5/2012 McLoughlin et al.
D695,892 S 12/2013 Cappello et al.
D696,774 S * 12/2013 Guarraia et al. D24/113
D696,775 S * 12/2013 Guarraia et al. D24/113
D708,317 S 7/2014 Schneider et al.

(Continued)

FOREIGN PATENT DOCUMENTS

HK 1100478.5M002 3/2011

OTHER PUBLICATIONS

Gene Ostrovsky, Soluvia Influenza Vaccine: Bright Future via
Microinjection, Feb. 14, 2008, 5 pages, http://www.medgadget.com/2008/02/microinjection_for_... Apr. 2, 2013.

Primary Examiner — Sheryl Lane

Assistant Examiner — Ieisha Price

(74) *Attorney, Agent, or Firm* — Banner & Witcoff, Ltd.

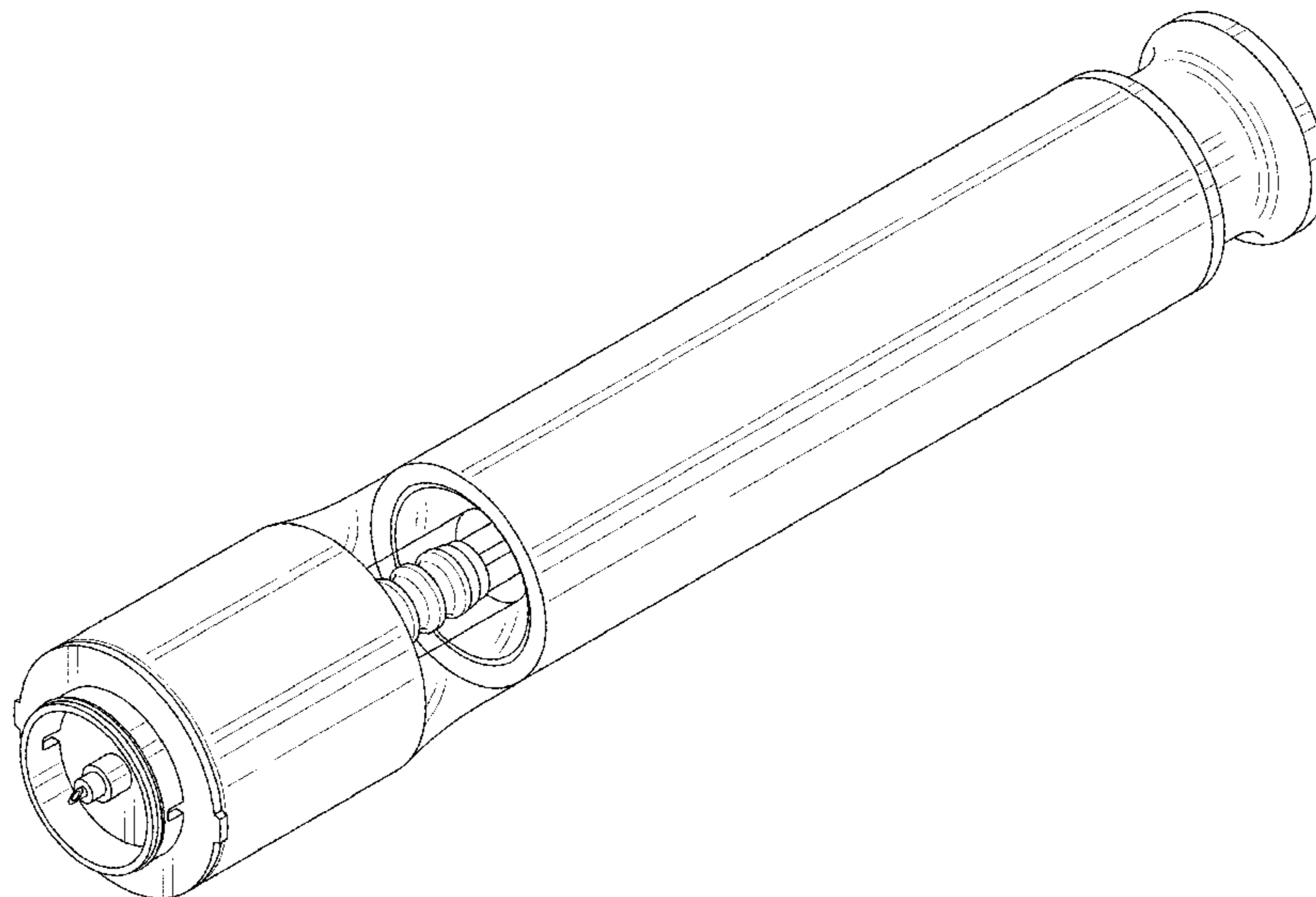
(57) **CLAIM**

The ornamental design for the intradermal injection device,
as shown and described.

DESCRIPTION

FIG. 1 is a perspective view of an intradermal injection device
showing my new design;
FIG. 2 is a front view thereof;
FIG. 3 is a rear view thereof;
FIG. 4 is a left side view thereof;
FIG. 5 is a right side view thereof;
FIG. 6 is a top plan view thereof;
FIG. 7 is a bottom plan view thereof; and,
FIG. 8 is a reference view thereof shown in a use state.
The broken lines in FIGS. 1-8 illustrate the environment of
the claimed design and forms no part thereof.

1 Claim, 5 Drawing Sheets



(56)

References Cited

U.S. PATENT DOCUMENTS

2010/0049125	A1 *	2/2010	James et al.	604/110	2013/0274677	A1 *	10/2013	Ekman et al.	604/197
2010/0185178	A1	7/2010	Sharp et al.		2013/0281929	A1	10/2013	Jennings et al.	
2012/0179100	A1 *	7/2012	Sadowski et al.	604/115	2013/0296794	A1 *	11/2013	Brereton et al.	604/197
2013/0150797	A1 *	6/2013	Lesch, Jr.	604/187	2013/0317449	A1 *	11/2013	Hourmand et al.	604/198
2013/0237921	A1	9/2013	Lannan et al.		2013/0331788	A1 *	12/2013	KraMer et al.	604/131
2013/0274671	A1 *	10/2013	Jennings et al.	604/154	2014/0155820	A1	6/2014	Holmqvist et al.	
					2014/0221916	A1	8/2014	Kramer et al.	
					2014/0221936	A1	8/2014	Edhouse et al.	
					2014/0228769	A1	8/2014	Karlsson et al.	

* cited by examiner

Fig. 1

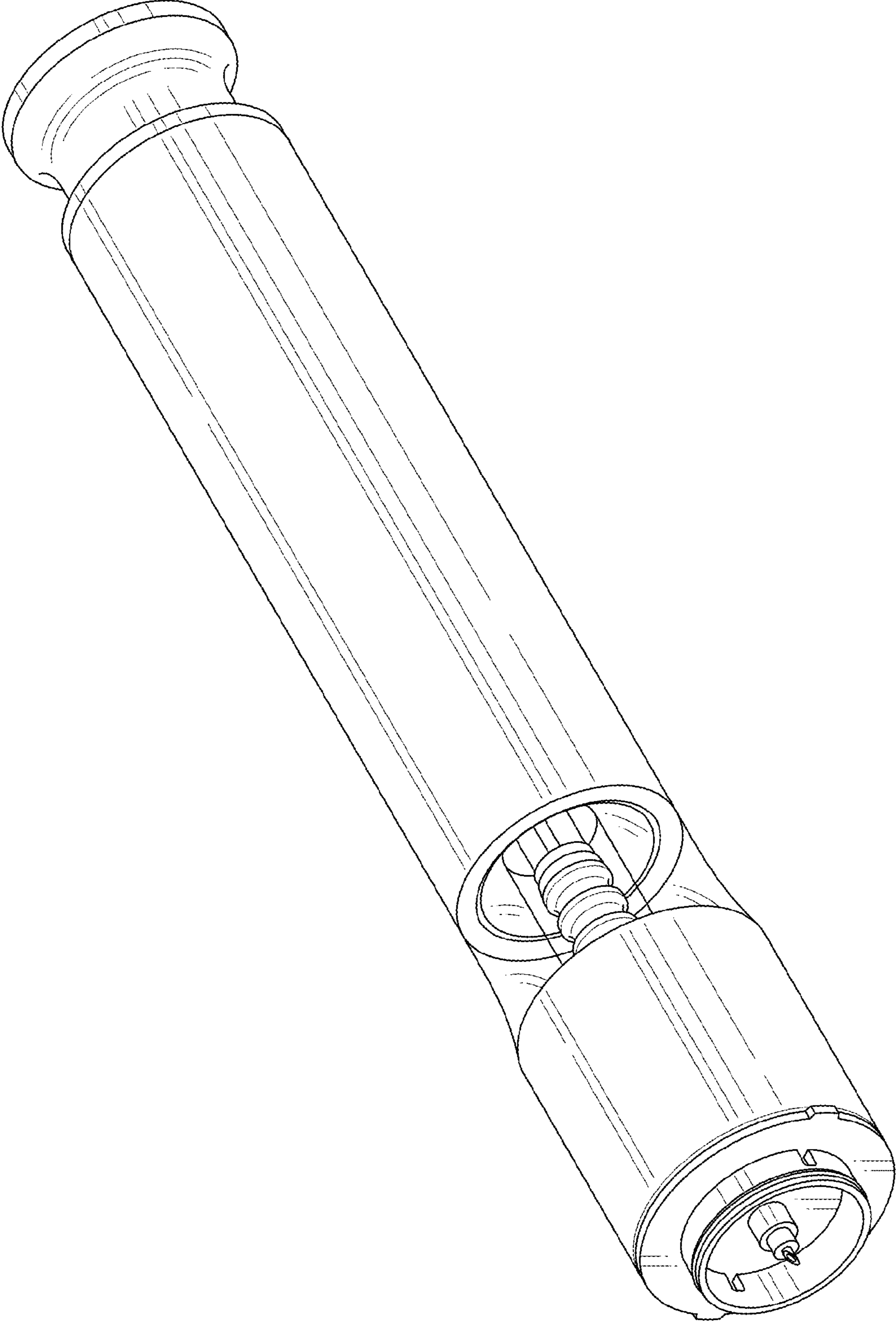


Fig. 2

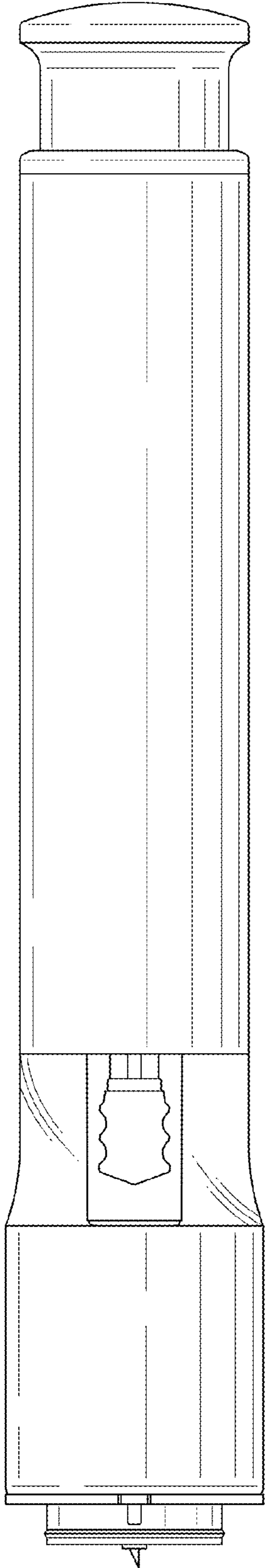


Fig. 3

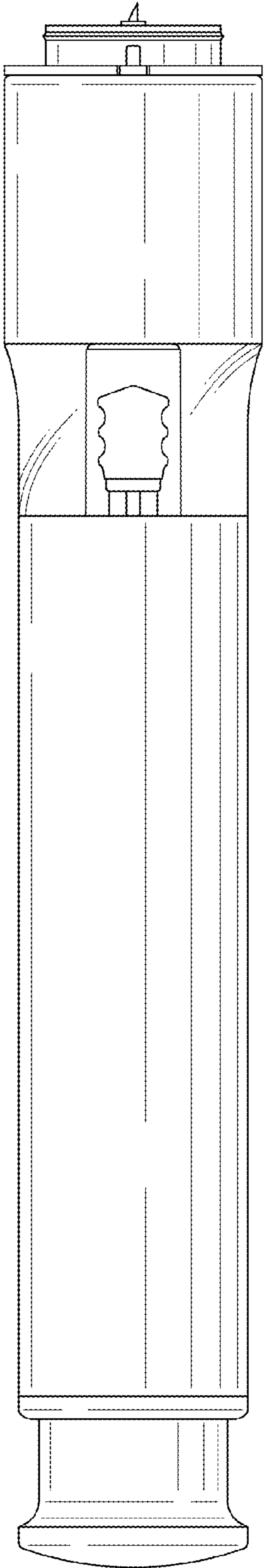


Fig. 5

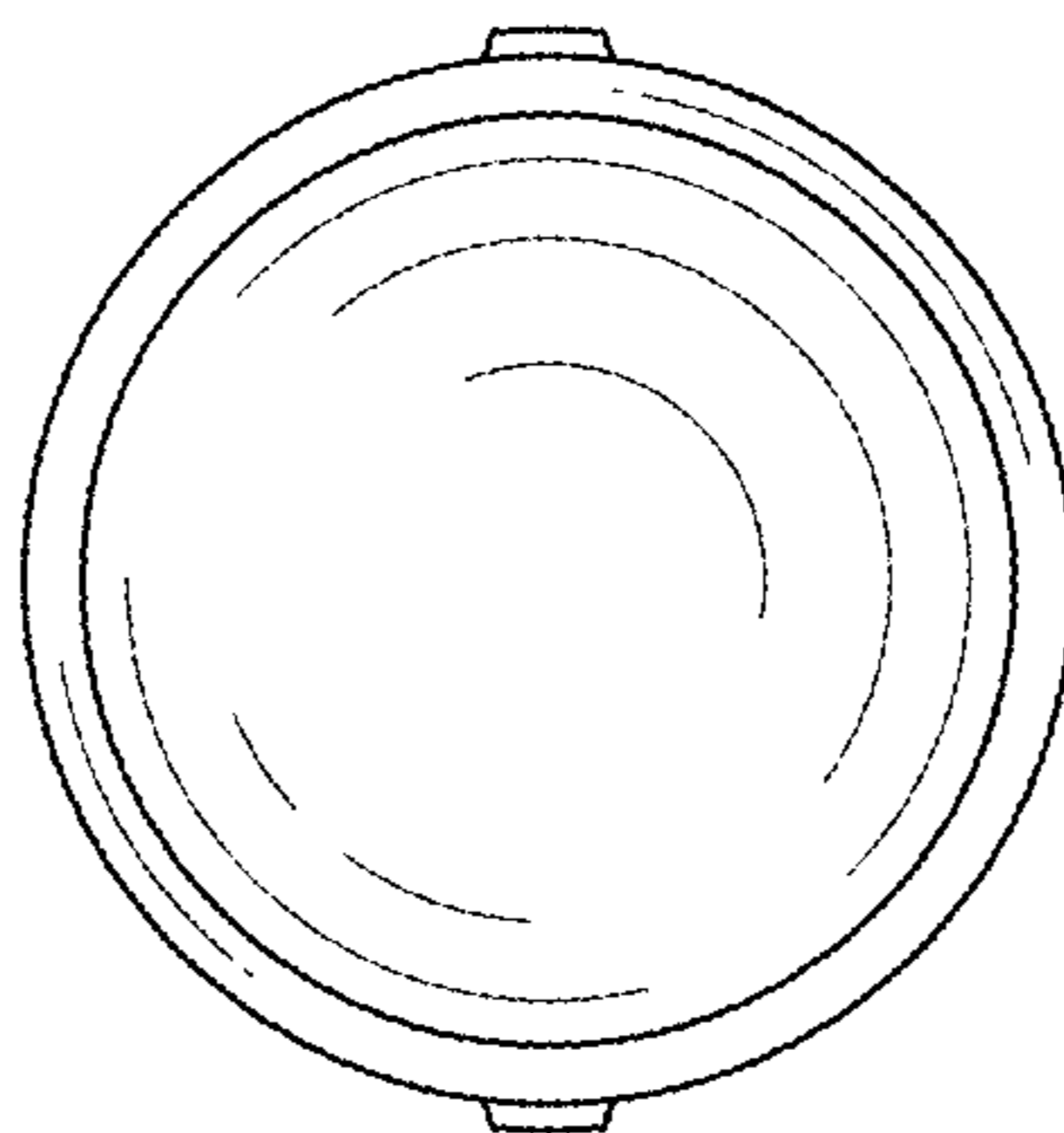


Fig. 4

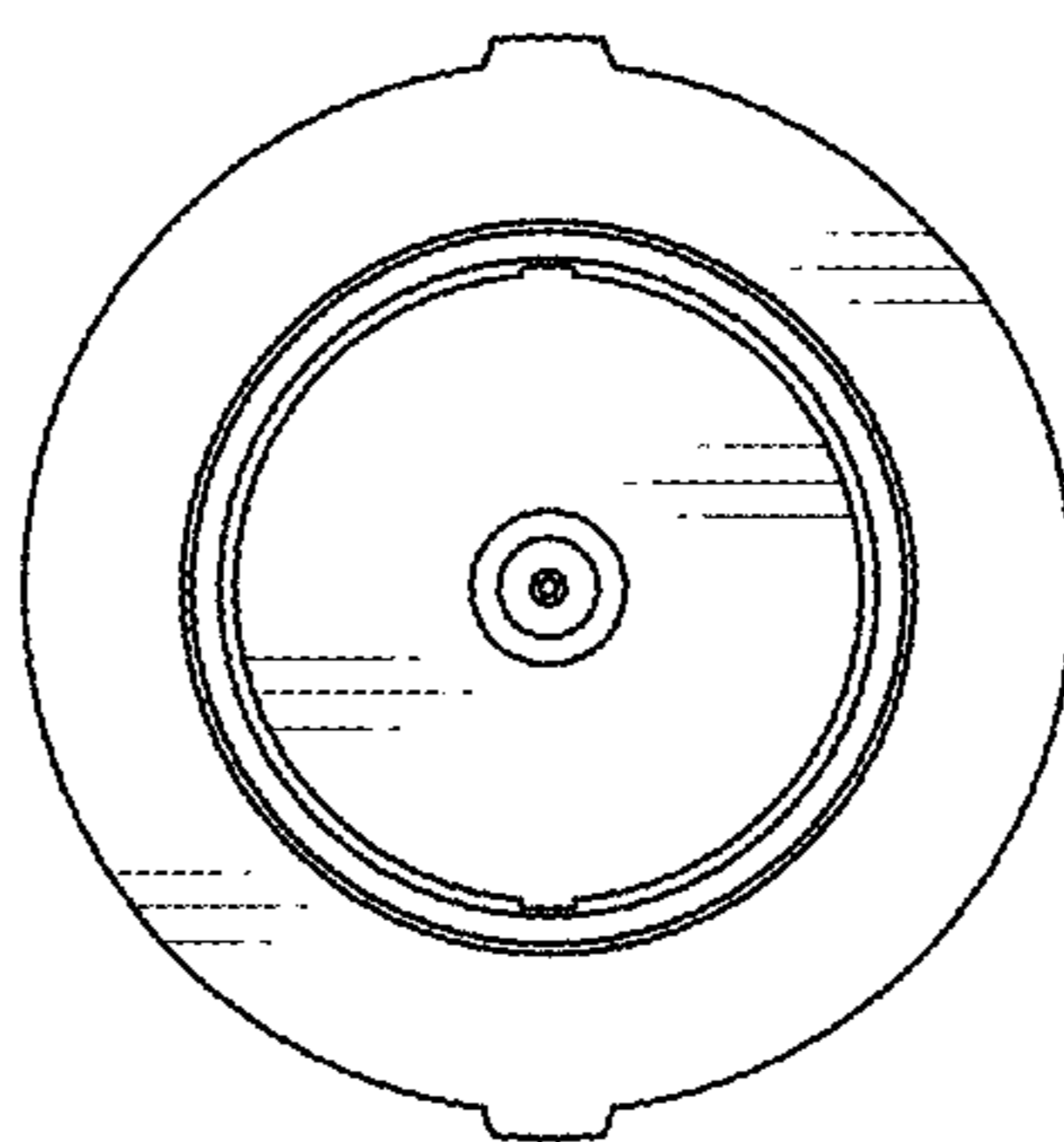


Fig. 6

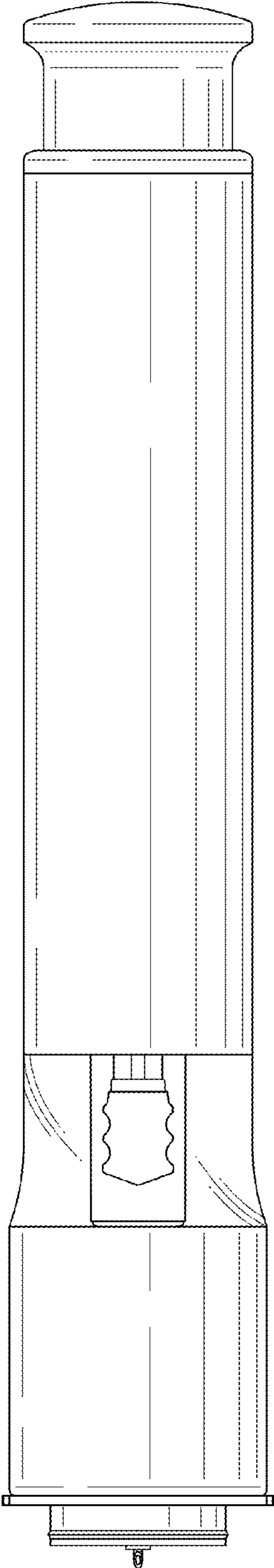


Fig. 7

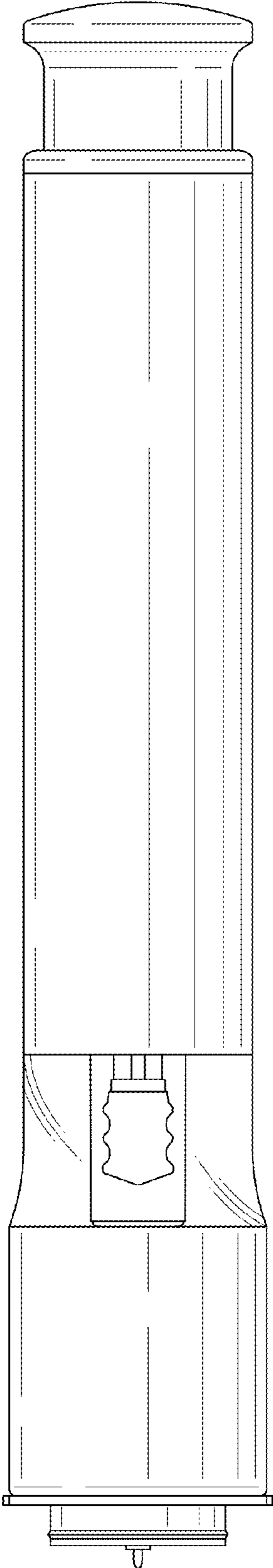


Fig. 8

