



US00D732160S

(12) **United States Design Patent**
Du

(10) **Patent No.:** **US D732,160 S**
(45) **Date of Patent:** **** Jun. 16, 2015**

(54) **INTRAVENOUS CATHETER**

(71) Applicants: **Terumo Kabushiki Kaisha**, Tokyo (JP);
Terumo Medical Products (Hangzhou)
Co., Ltd., Hangzhou (CN)

(72) Inventor: **Tianhu Du**, Hangzhou (CN)

(73) Assignees: **TERUMO KABUSHIKI KAISHA**,
Tokyo (JP); **TERUMO MEDICAL**
PRODUCTS (HANGZHOU) CO.,
LTD., Hangzhou (CN)

(**) Term: **14 Years**

(21) Appl. No.: **29/440,573**

(22) Filed: **Dec. 21, 2012**

(30) **Foreign Application Priority Data**

Aug. 30, 2012 (JP) 2012-020924

(51) **LOC (10) Cl.** **24-02**

(52) **U.S. Cl.**
USPC **D24/112**

(58) **Field of Classification Search**
USPC D24/112–114, 133, 186, 130, 127;
606/181, 185; 604/264, 272, 115,
604/164.01–164.09, 533, 232, 187, 168.01,
604/192, 19, 48, 93.01, 523, 524, 526;
600/101, 139, 143; 128/200.24,
128/207.14, 207.15

See application file for complete search history.

(56) **References Cited**

U.S. PATENT DOCUMENTS

4,988,356 A * 1/1991 Crittenden et al. 606/192
D395,501 S * 6/1998 Erskine et al. D24/112
D433,503 S * 11/2000 Powers et al. D24/112

D451,601 S * 12/2001 Crawford et al. D24/130
D491,266 S * 6/2004 Cindrich et al.
D492,031 S * 6/2004 Cindrich et al.
6,875,193 B1 * 4/2005 Bonnette et al. 604/22
7,294,118 B2 * 11/2007 Saulenas et al. 604/110
7,691,088 B2 4/2010 Howell
7,713,257 B2 5/2010 Brimhall et al.
8,062,262 B2 11/2011 Christensen et al.
D675,318 S * 1/2013 Luk et al. D24/130
D677,785 S * 3/2013 Stones et al. D24/113
D686,316 S * 7/2013 Baid D24/112
2006/0270991 A1 * 11/2006 Adams 604/164.08
2008/0234662 A1 * 9/2008 Artifon et al. 604/529
2012/0232478 A1 * 9/2012 Haslinger 604/103.09
2013/0289532 A1 * 10/2013 McKinnon et al. 604/523

* cited by examiner

Primary Examiner — David Muller

Assistant Examiner — Nathan Johnston

(74) *Attorney, Agent, or Firm* — Rabin & Berdo, P.C.

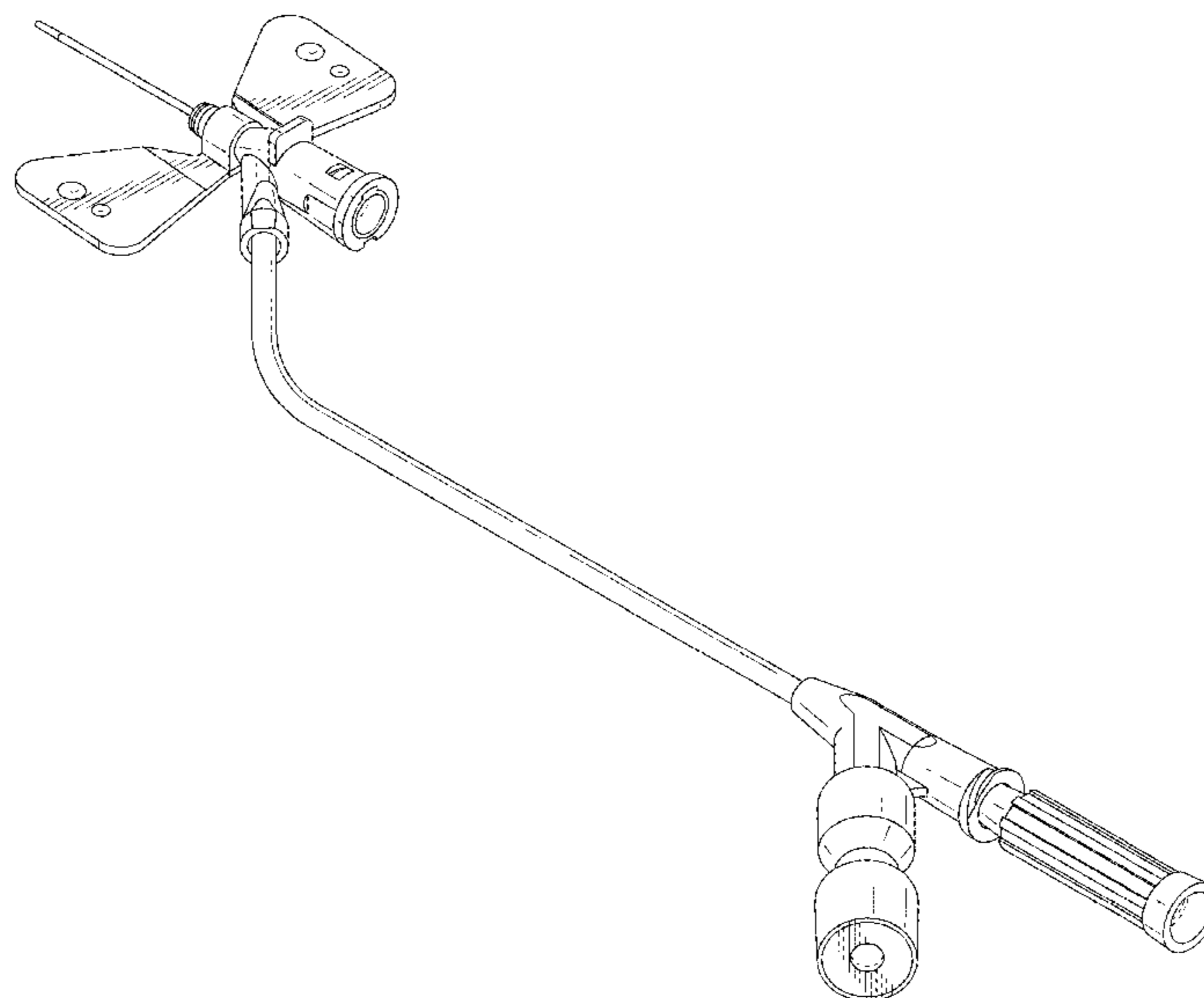
(57) **CLAIM**

The ornamental design for an intravenous catheter, as shown and described.

DESCRIPTION

FIG. 1 is a perspective view of a catheter for an intravenous catheter showing my new design;
FIG. 2 is a front view thereof;
FIG. 3 is a rear view thereof;
FIG. 4 is a top plan view thereof;
FIG. 5 is a bottom view thereof;
FIG. 6 is a right side view thereof;
FIG. 7 is a left side view thereof; and,
FIG. 8 is a reference view thereof.
The features shown in broken lines form no part of the claimed invention.

1 Claim, 5 Drawing Sheets



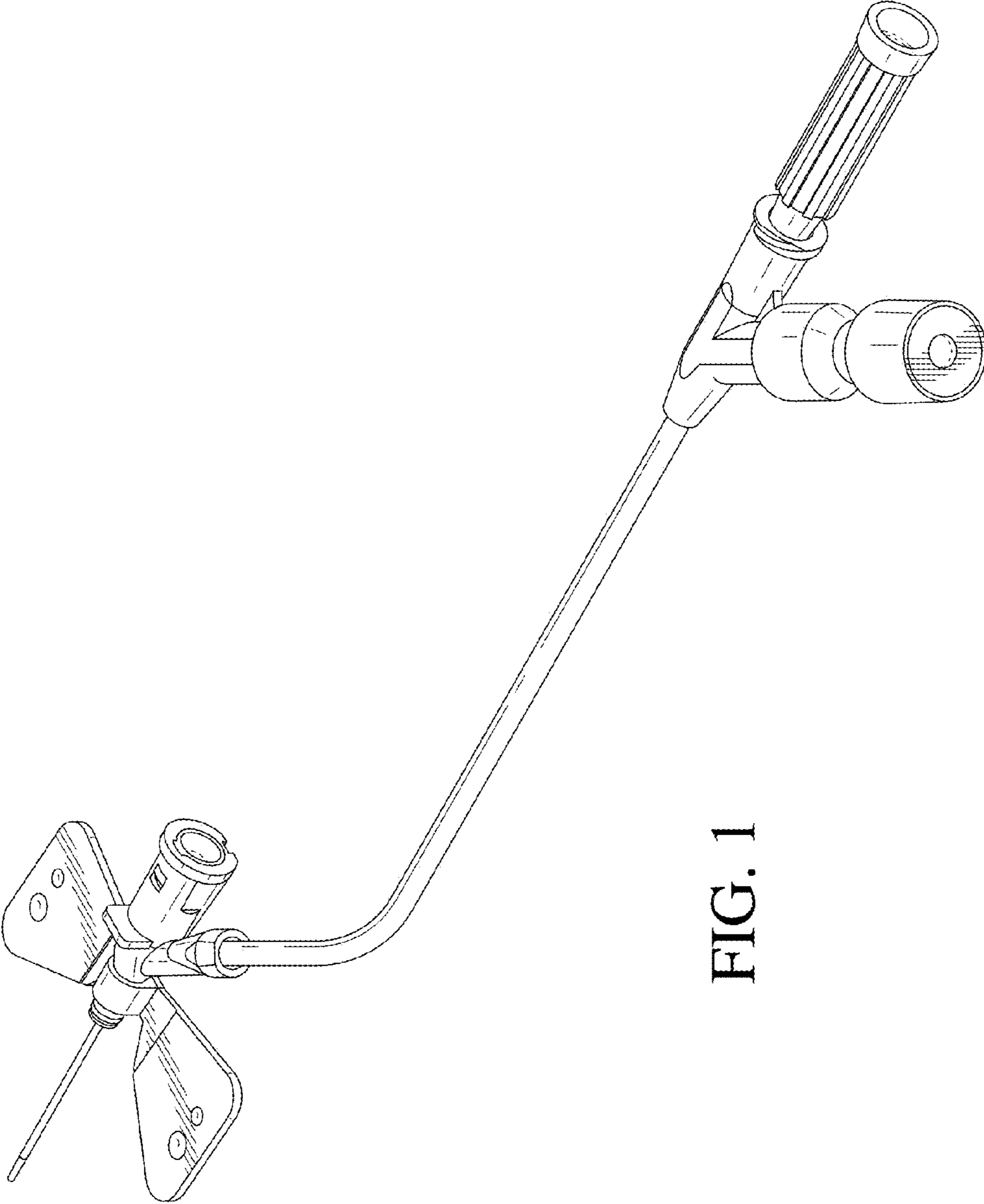


FIG. 1

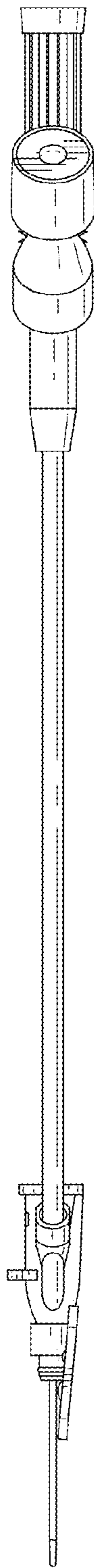


FIG. 2

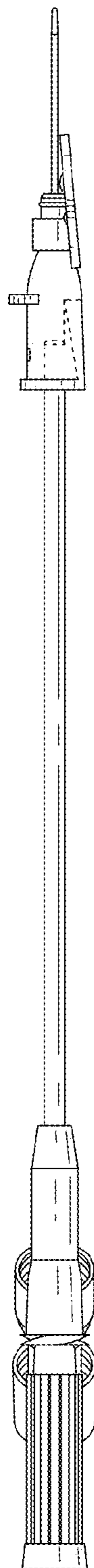


FIG. 3

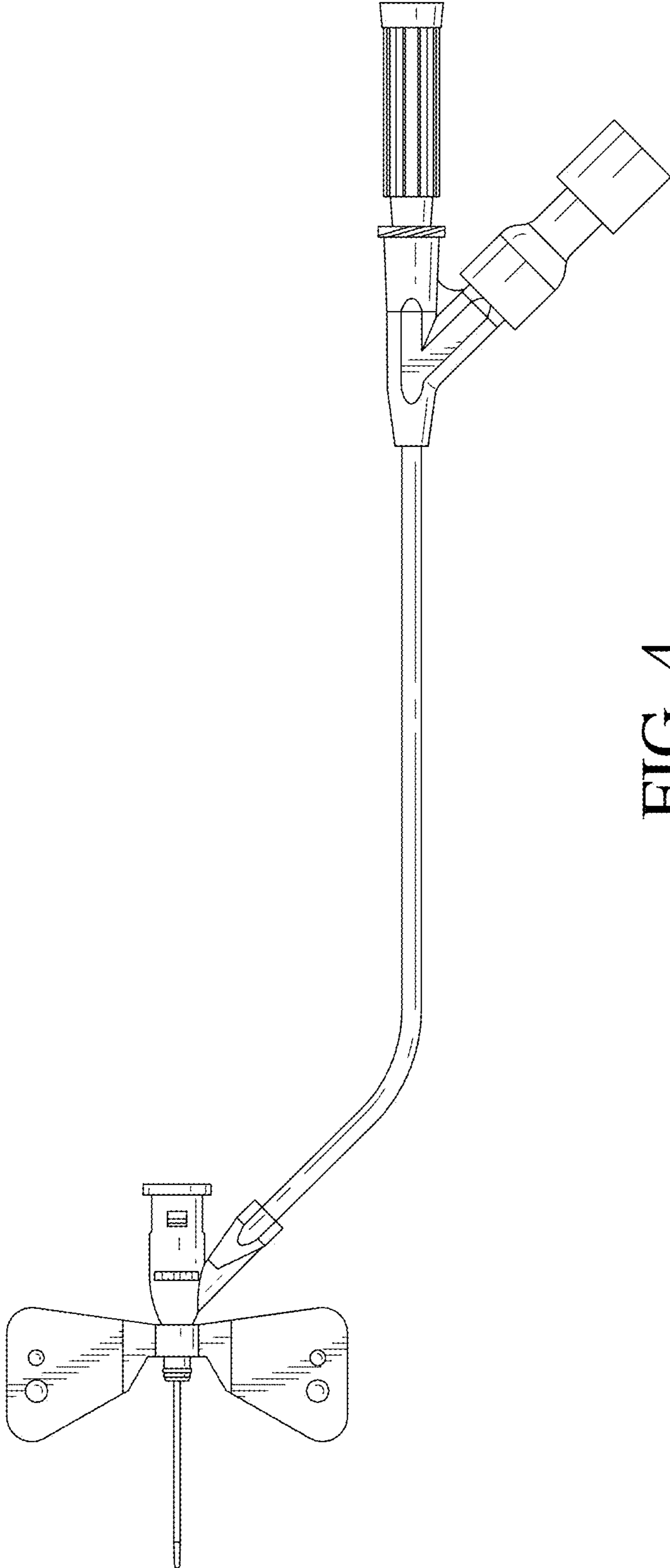


FIG. 4

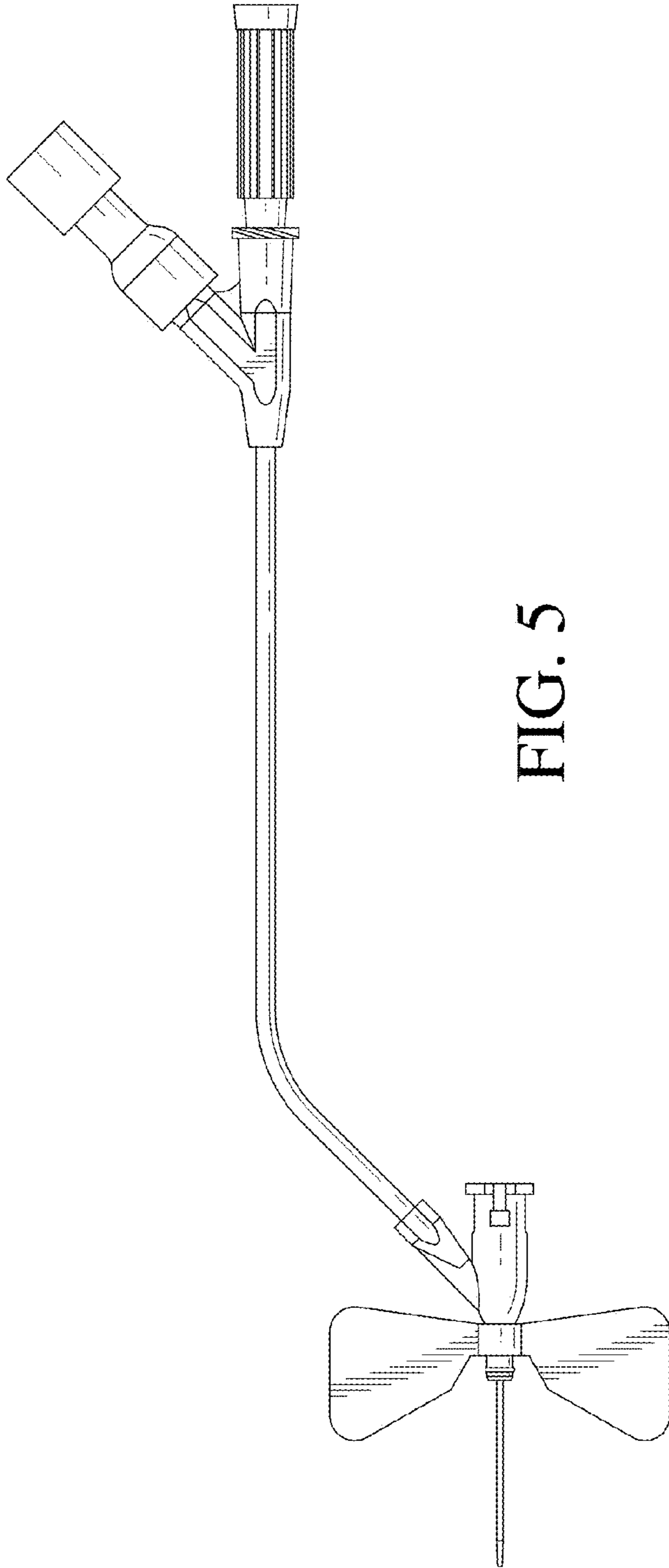


FIG. 5



FIG. 6

FIG. 7

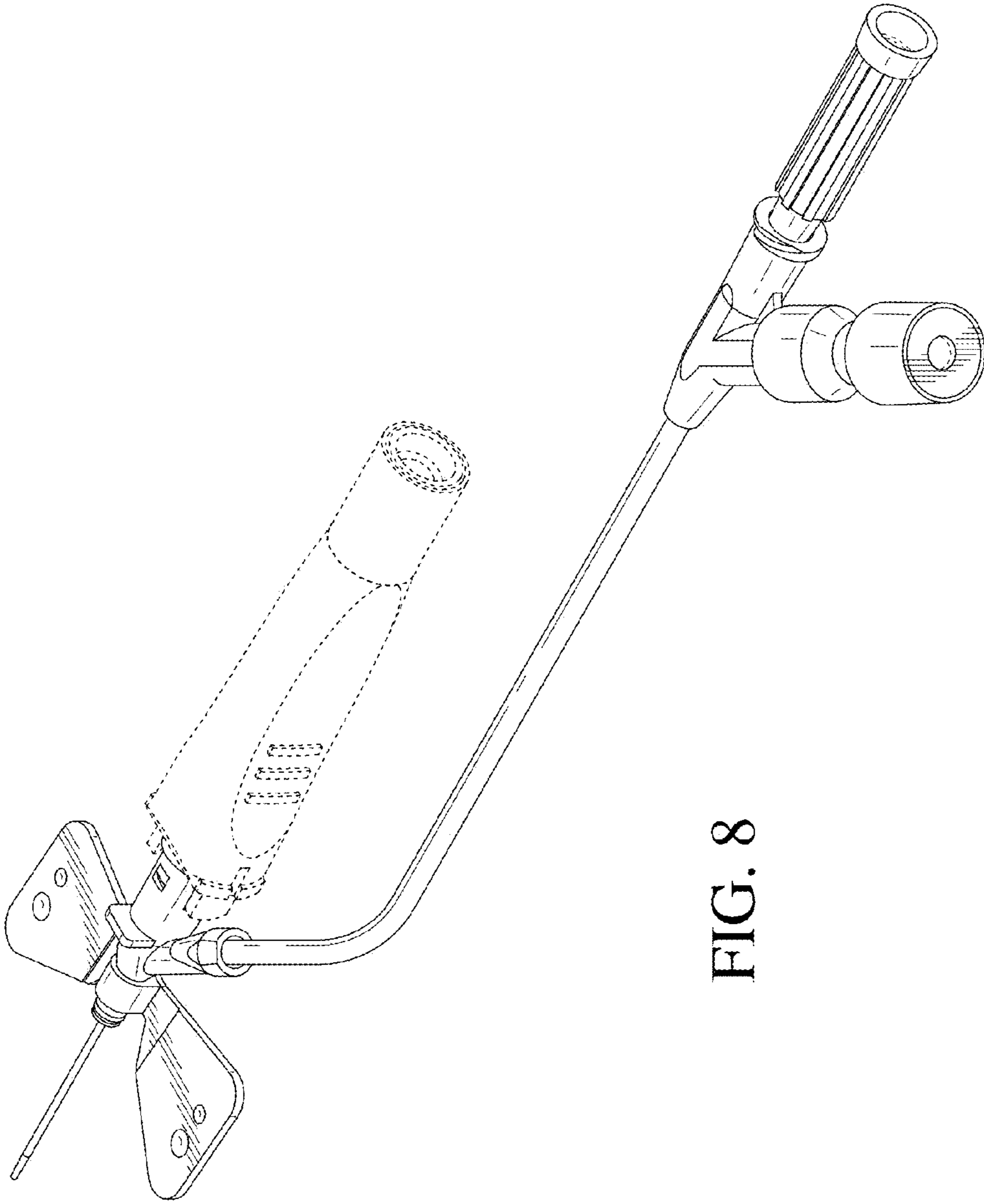


FIG. 8