



US00D732159S

(12) **United States Design Patent**
Amarasinghe et al.

(10) **Patent No.:** **US D732,159 S**
(45) **Date of Patent:** **** Jun. 16, 2015**

(54) **HEADGEAR**

- (71) Applicant: **ResMed Limited**, Bella Vista, New South Wales (AU)
- (72) Inventors: **Amal Shirley Amarasinghe**, Sydney (AU); **Perry David Lithgow**, Moruya (AU); **Memduh Guney**, Sydney (AU)
- (73) Assignee: **ResMed Limited**, Bella Vista (AU)
- (**) Term: **14 Years**

- (21) Appl. No.: **29/477,929**
- (22) Filed: **Dec. 30, 2013**

Related U.S. Application Data

- (60) Continuation of application No. 29/409,935, filed on Dec. 30, 2011, now Pat. No. Des. 699,340, which is a division of application No. 29/347,542, filed on Mar. 1, 2010, now Pat. No. Des. 652,912, which is a continuation of application No. 29/232,935, filed on Jun. 27, 2005, now Pat. No. Des. 649,631, which is a continuation of application No. 29/210,349, filed on Jul. 30, 2004, now Pat. No. Des. 540,940, which is a division of application No. 29/170,553, filed on Nov. 8, 2002, now Pat. No. Des. 496,726.

- (51) **LOC (10) Cl.** **29-02**
- (52) **U.S. Cl.**
USPC **D24/110.1**
- (58) **Field of Classification Search**
USPC D24/110, 110.1-110.5; D16/335;
D2/861, 860, 620, 624-627, 636, 865;
D30/152, 144; 128/207.17, 207.11,
128/205.25, 206.24; 2/8.1, 636; D11/5;
63/3; 40/633

See application file for complete search history.

(56) **References Cited**

U.S. PATENT DOCUMENTS

D34,722 S	7/1901	Davis
RE20,211 E	12/1936	Motsinger
D136,320 S	9/1943	Padgitt
2,846,683 A	8/1958	Dye et al.
3,457,564 A	7/1969	Holloway
3,921,721 A	11/1975	George
4,044,400 A	8/1977	Lewicki et al.
4,367,735 A	1/1983	Dali et al.
5,117,819 A	6/1992	Servidio et al.
D335,367 S	5/1993	Mieskoski
5,284,469 A	2/1994	Jasen et al.

(Continued)

FOREIGN PATENT DOCUMENTS

DE	19947722	4/2001
EP	0 747 078	12/1996

(Continued)

OTHER PUBLICATIONS

Amarasinghe et al., Parent U.S. Appl. No. 29/409,935, filed Dec. 30, 2011.

(Continued)

Primary Examiner — Michael A Pratt
(74) *Attorney, Agent, or Firm* — Nixon & Vanderhye P.C.

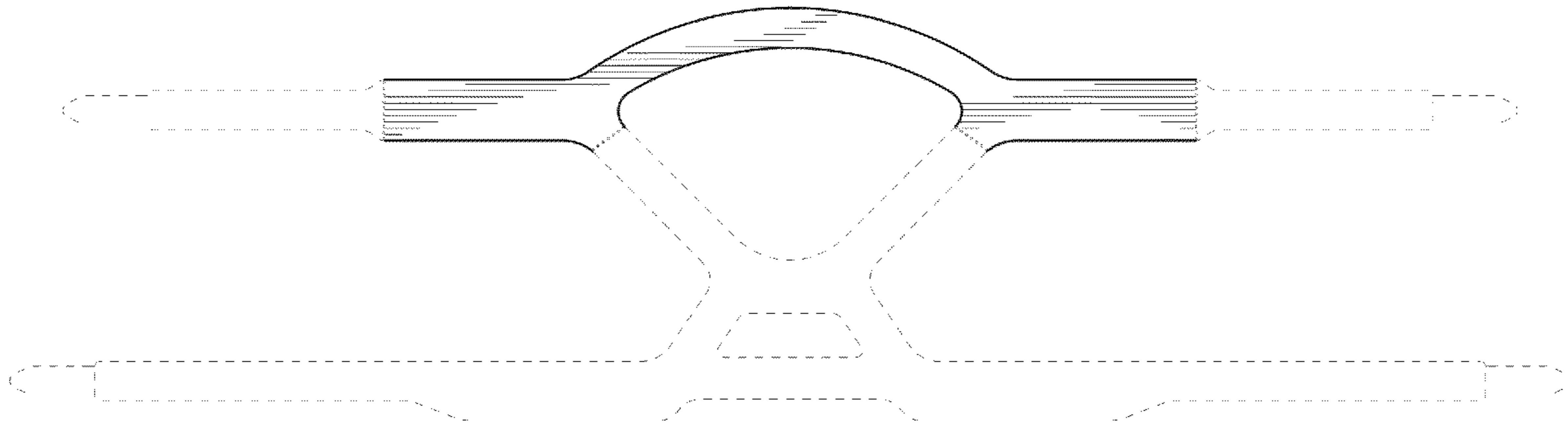
(57) **CLAIM**

The ornamental appearance of a headgear, as shown and described.

DESCRIPTION

The sole FIGURE is a headgear showing our new ornamental design.
The thickness of the headgear forms no part of the claimed design.
The broken lines showing environment or structure of the headgear are for illustrative purposes only and form no part of the claimed design. The dotted lines represent the border between claimed and non-claimed subject matter and form no part of the claimed design.

1 Claim, 1 Drawing Sheet



(56)

References Cited

U.S. PATENT DOCUMENTS

D351,021 S 9/1994 Martin
 5,488,948 A 2/1996 Dubruille et al.
 5,490,504 A 2/1996 Vrona et al.
 D368,372 S 4/1996 Dennison
 5,517,986 A 5/1996 Starr et al.
 5,529,062 A 6/1996 Byrd et al.
 5,542,128 A 8/1996 Lomas
 D383,204 S 9/1997 Lomas
 D390,704 S 2/1998 Bloch
 6,081,932 A 7/2000 Kraemer
 6,105,573 A 8/2000 Delaplane et al.
 6,119,693 A 9/2000 Kwok et al.
 D440,652 S 4/2001 Pollard
 D445,547 S 7/2001 Howitz et al.
 6,269,814 B1 8/2001 Blaszczykiewicz et al.
 6,422,238 B1 7/2002 Lithgow
 6,494,207 B1 12/2002 Kwok
 6,701,927 B2 3/2004 Kwok et al.
 6,772,760 B2 8/2004 Frater et al.
 D496,726 S 9/2004 Amarasinghe et al.
 6,793,308 B2 * 9/2004 Sugimoto et al. 347/15
 6,796,308 B2 9/2004 Gunaratnam et al.
 6,805,117 B1 10/2004 Ho et al.
 D498,336 S 11/2004 Hong
 6,854,133 B2 2/2005 Lee et al.
 D507,084 S 7/2005 Sabeh-Azar
 D522,244 S 6/2006 Toler et al.
 D527,099 S 8/2006 Dantanarayana et al.
 D532,511 S 11/2006 Amarasinghe
 D532,512 S 11/2006 Amarasinghe
 7,188,620 B2 3/2007 Amarasinghe
 D540,940 S 4/2007 Amarasinghe et al.
 D550,834 S 9/2007 Samaras
 D559,976 S 1/2008 Amarasinghe
 D560,797 S 1/2008 Carroll et al.
 D561,332 S 2/2008 Amarasinghe et al.
 D561,892 S 2/2008 Amarasinghe
 D594,631 S 6/2009 Reinisch
 D604,461 S 11/2009 Goldman et al.
 D608,882 S * 1/2010 Hitchcock et al. D24/110
 D617,446 S 6/2010 Amarasinghe et al.
 7,802,573 B2 9/2010 Amarasinghe et al.

D627,074 S 11/2010 Ray
 D639,417 S 6/2011 Amarasinghe et al.
 D649,631 S 11/2011 Amarasinghe et al.
 D650,895 S 12/2011 Amarasinghe et al.
 D652,504 S 1/2012 Amarasinghe et al.
 D652,911 S 1/2012 Amarasinghe et al.
 D652,912 S 1/2012 Amarasinghe et al.
 D679,799 S * 4/2013 D'Souza et al. D24/110
 D707,349 S * 6/2014 D'Souza et al. D24/110.1
 D716,505 S * 10/2014 Wu D29/122
 D717,942 S * 11/2014 Neff et al. D24/127
 2001/0049505 A1 * 12/2001 Byrd 604/180
 2002/0174868 A1 11/2002 Kwok et al.
 2003/0051732 A1 3/2003 Smith et al.
 2003/0196657 A1 10/2003 Ging et al.
 2004/0067333 A1 4/2004 Amarasinghe
 2004/0112377 A1 6/2004 Amarasinghe et al.
 2006/0011202 A1 1/2006 Kwok et al.
 2006/0283457 A1 12/2006 Woodard et al.
 2006/0283461 A1 12/2006 Lubke et al.
 2007/0089219 A1 4/2007 Trainor et al.
 2007/0169777 A1 7/2007 Amarasinghe

FOREIGN PATENT DOCUMENTS

EP 1020201 7/2000
 EP 1 057 494 12/2000
 FR 2 618 340 A 1/1989
 JP 10-314307 12/1998
 WO WO 96/25983 8/1996
 WO WO 98/48878 11/1998
 WO WO 02/47749 6/2002

OTHER PUBLICATIONS

Supplementary European Search Report for EP 01270356.7 mailed Feb. 3, 2006, 3 pages.
 European Office Action for EP Appln 01 270 356.7, mailed Jun. 11, 2007, 3 pages.
 U.S. Appl. No. 60/293,992, filed May 30, 2001, Frater et al.
 U.S. Appl. No. 60/219,618, filed Jul. 21, 2000, Frater et al.
 U.S. Appl. No. 60/213,251, filed Jun. 22, 2000, Frater et al.
 Amarasinghe et al., U.S. Appl. No. 60/254,537, filed Dec. 12, 2000.

* cited by examiner

