

US00D732158S

(12) **United States Design Patent**
Salmon et al.

(10) **Patent No.:** **US D732,158 S**
(45) **Date of Patent:** **** Jun. 16, 2015**

(54) **BREATHING ASSISTANCE APPARATUS**

(75) Inventors: **Andrew Paul Maxwell Salmon**,
Auckland (NZ); **Douglas Richard**
Wright, Auckland (NZ); **Yi-cheng Sun**,
Auckland (NZ); **Peter Lawrence Grylls**,
Auckland (NZ); **Paul Fleming Buckley**,
Auckland (NZ)

(73) Assignee: **FISHER & PAYKEL HEALTHCARE**
LIMITED, Auckland (NZ)

(**) Term: **14 Years**

(21) Appl. No.: **29/429,285**

(22) Filed: **Aug. 8, 2012**

(51) **LOC (10) Cl.** **29-02**

(52) **U.S. Cl.**
USPC **D24/110**

(58) **Field of Classification Search**
USPC D24/110, 164; D23/356, 358;
128/200.16, 200.18, 200.22–200.24,
128/203.16, 203.17, 204.14, 204.18,
128/204.23; D14/140

CPC A61M 16/0063; A61M 16/1045;
A61M 16/16; A61M 16/00

See application file for complete search history.

(56) **References Cited**

U.S. PATENT DOCUMENTS

3,587,896	A	6/1971	Graff	
3,659,604	A	5/1972	Melville et al.	
4,152,379	A	5/1979	Suhr	
4,753,758	A	6/1988	Miller	
5,673,687	A	10/1997	Dobson et al.	
D421,298	S *	2/2000	Kenyon et al.	D24/110
D468,011	S *	12/2002	Lynch et al.	D24/110
D493,520	S *	7/2004	Bertinetti et al.	D24/110
D498,528	S *	11/2004	Van Brunt et al.	D24/110
D504,945	S *	5/2005	Van Brunt et al.	D24/110
D526,640	S *	8/2006	Chin et al.	D14/188
D560,795	S *	1/2008	Lithgow et al.	D24/110

(Continued)

FOREIGN PATENT DOCUMENTS

JP S64-500088 1/1989
JP H10-179746 7/1998

(Continued)

OTHER PUBLICATIONS

Fisher & Paykel Healthcare Limited, Clinical Technologies Brochure; pp. 1-8; 2011.

Primary Examiner — Deanna L Pratt

Assistant Examiner — Lilyana Bekic

(74) *Attorney, Agent, or Firm* — Knobbe, Martens, Olson & Bear, LLP

(57) **CLAIM**

The ornamental design for a breathing assistance apparatus, as shown and described.

DESCRIPTION

FIG. 1 is a front perspective view of a breathing assistance apparatus;

FIG. 2 is a rear perspective view of the breathing assistance apparatus of FIG. 1.

FIG. 3 is a front view of the breathing assistance apparatus of FIG. 1.

FIG. 4 is a rear view of the breathing assistance apparatus of FIG. 1.

FIG. 5 is a right side view of the breathing assistance apparatus of FIG. 1.

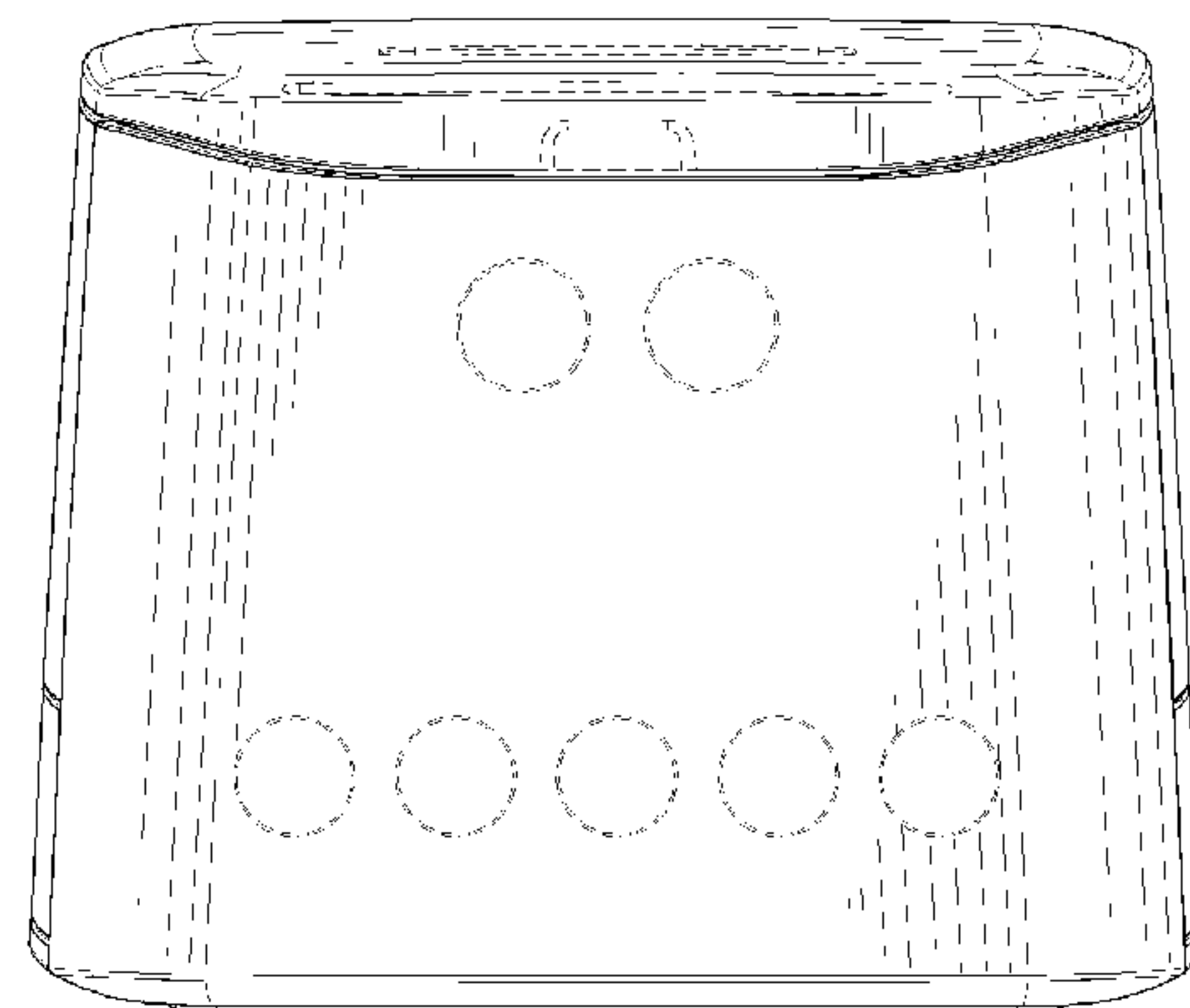
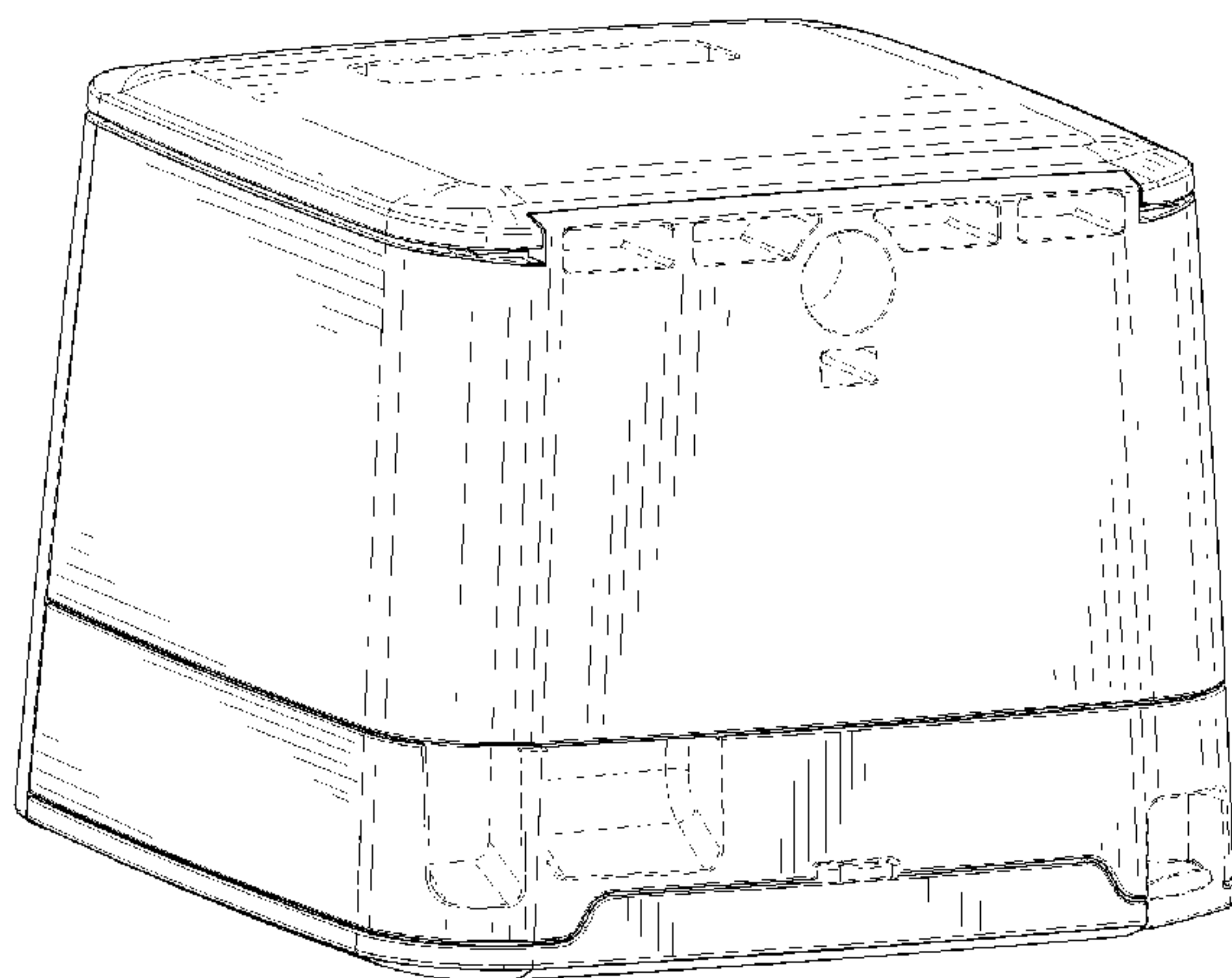
FIG. 6 is a left side view of the breathing assistance apparatus of FIG. 1.

FIG. 7 is a top view of the breathing assistance apparatus of FIG. 1; and,

FIG. 8 is a bottom view of the breathing assistance apparatus of FIG. 1.

Where utilized, the broken lines show portions of the breathing assistance apparatus that form no part of the claimed design.

1 Claim, 8 Drawing Sheets



(56)

References Cited

U.S. PATENT DOCUMENTS

D575,766 S * 8/2008 Harris D14/188
 7,413,173 B2 8/2008 DiMatteo et al.
 D585,540 S * 1/2009 Lithgow et al. D24/110
 7,909,032 B2 3/2011 Feldhahn et al.
 D646,665 S * 10/2011 Iijima D14/214
 D658,755 S * 5/2012 Lithgow D24/110
 D675,730 S * 2/2013 Lithgow et al. D24/110
 D679,800 S * 4/2013 Gusky et al. D24/110
 D682,406 S * 5/2013 Yeom D23/364
 D683,444 S * 5/2013 Inoue et al. D24/110
 D690,280 S * 9/2013 Schul D14/188
 D693,005 S * 11/2013 Nawata et al. D24/164
 D695,707 S * 12/2013 Szymanski et al. D14/214
 D695,711 S * 12/2013 Szymanski et al. D14/214
 D696,393 S * 12/2013 Lu D24/110
 D707,202 S * 6/2014 McManigal D14/214

D714,249 S * 9/2014 Carney et al. D14/140
 2003/0066526 A1 4/2003 Thudor et al.
 2004/0055597 A1 3/2004 Virr et al.
 2004/0226562 A1 11/2004 Bordewick
 2009/0194106 A1 8/2009 Smith et al.
 2010/0065051 A1 3/2010 Potharaju et al.
 2011/0186048 A1 8/2011 Casse et al.
 2012/0318266 A1* 12/2012 Chou 128/204.23
 2013/0333701 A1* 12/2013 Herron 128/203.27

FOREIGN PATENT DOCUMENTS

JP 2005-287596 10/2005
 JP 2005-538802 12/2005
 WO WO 02/02169 1/2002
 WO WO 2006/102707 10/2006
 WO WO 2007/038152 4/2007

* cited by examiner

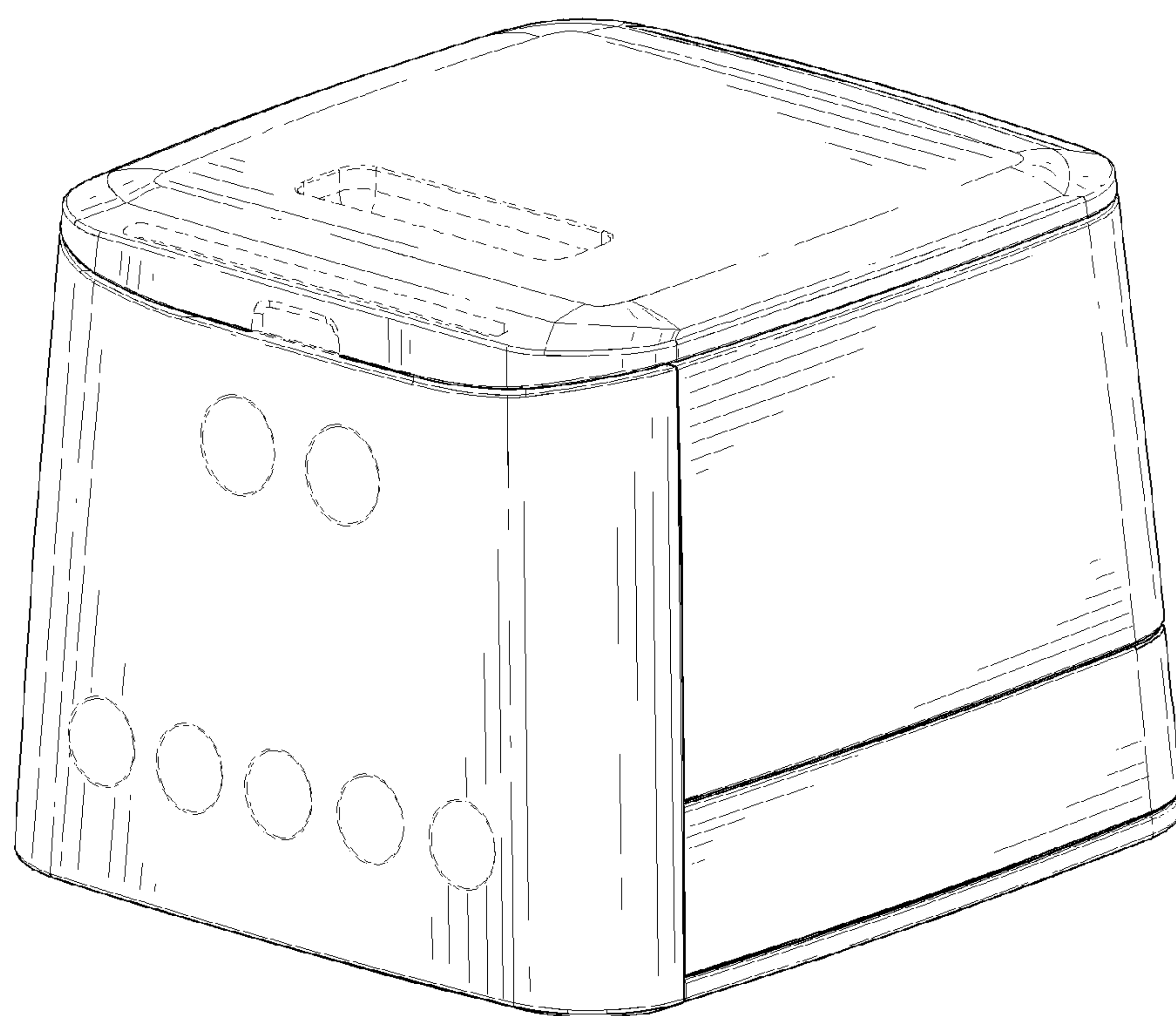


FIG. 1

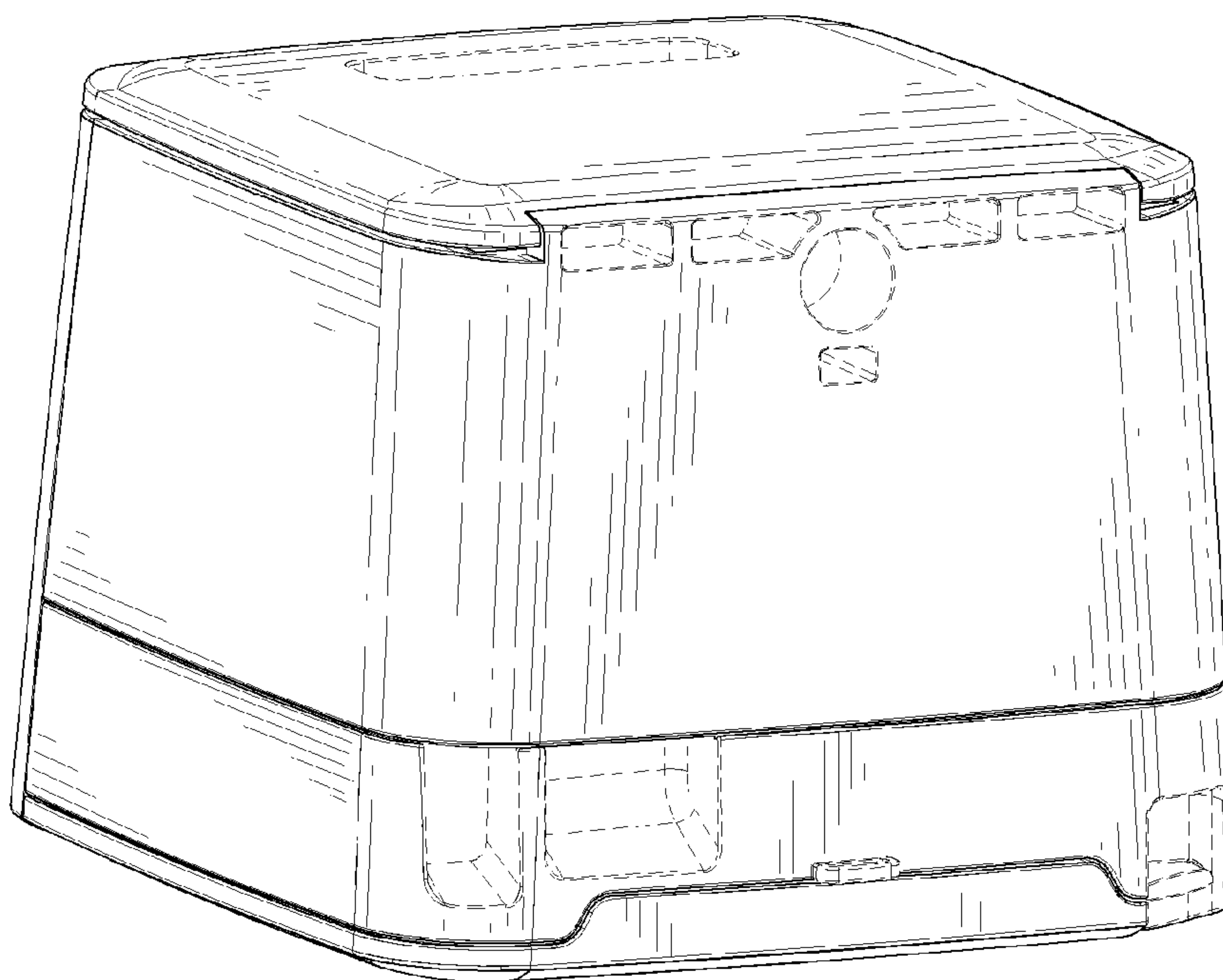


FIG. 2

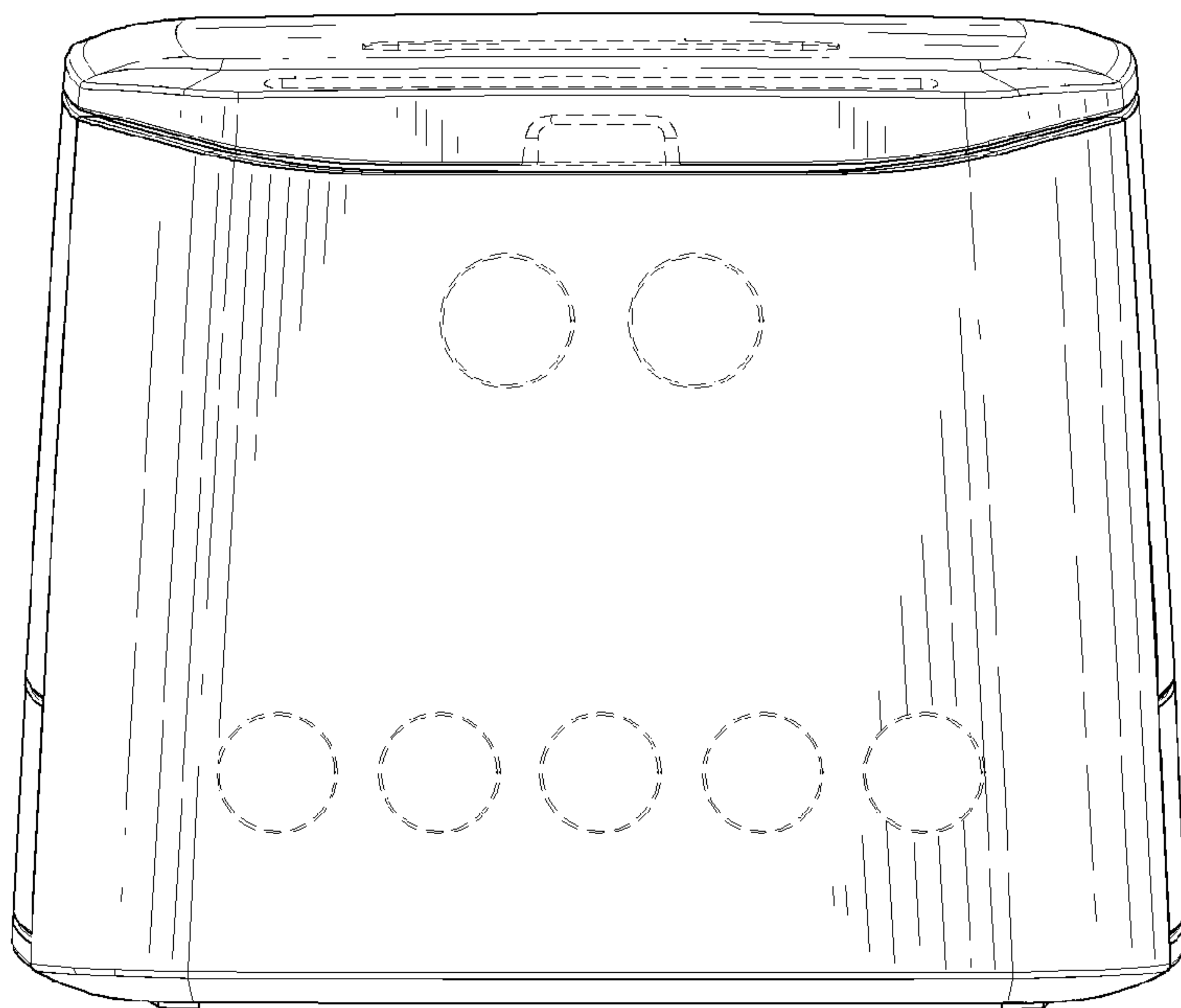


FIG. 3

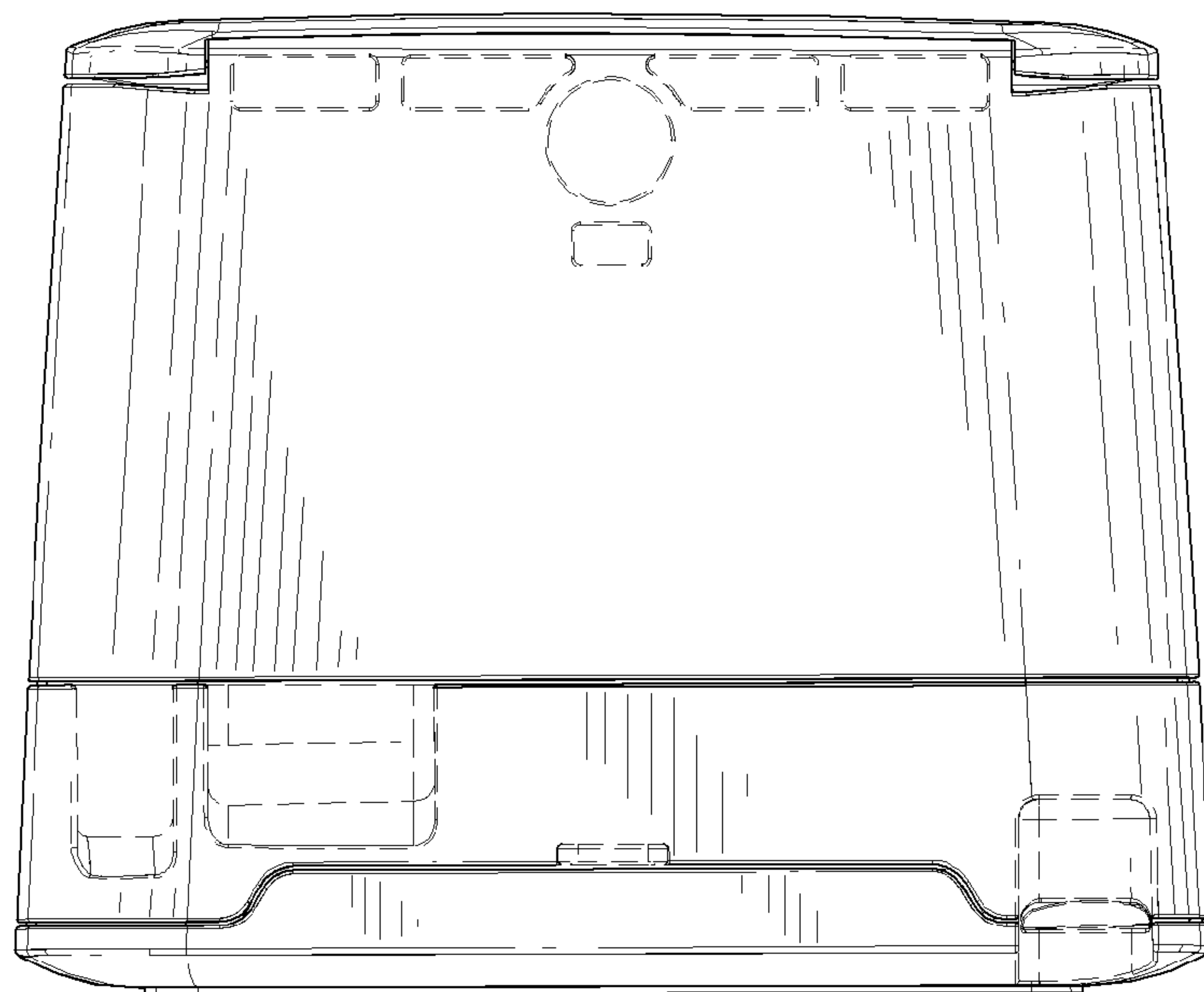


FIG. 4

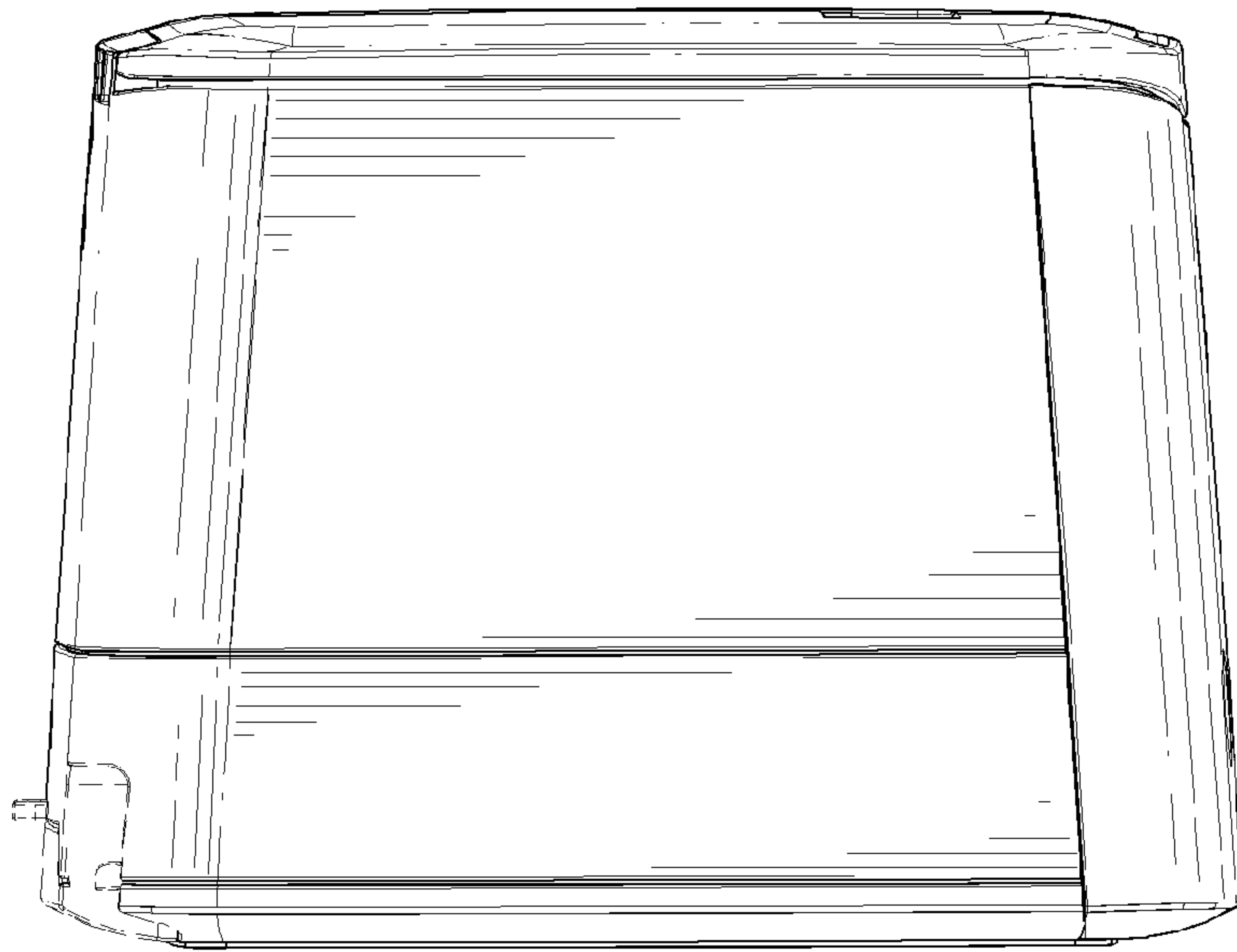


FIG. 5

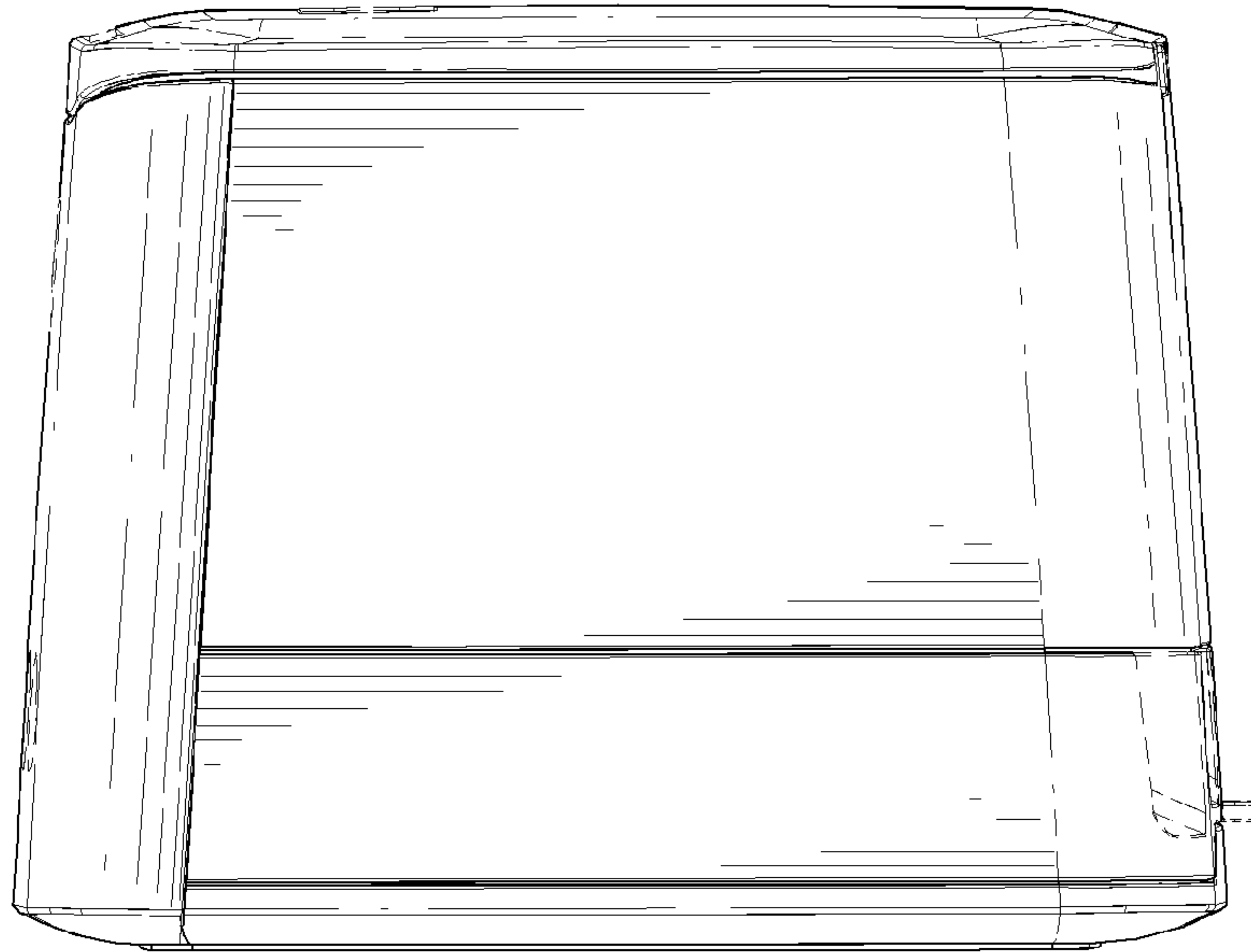


FIG. 6

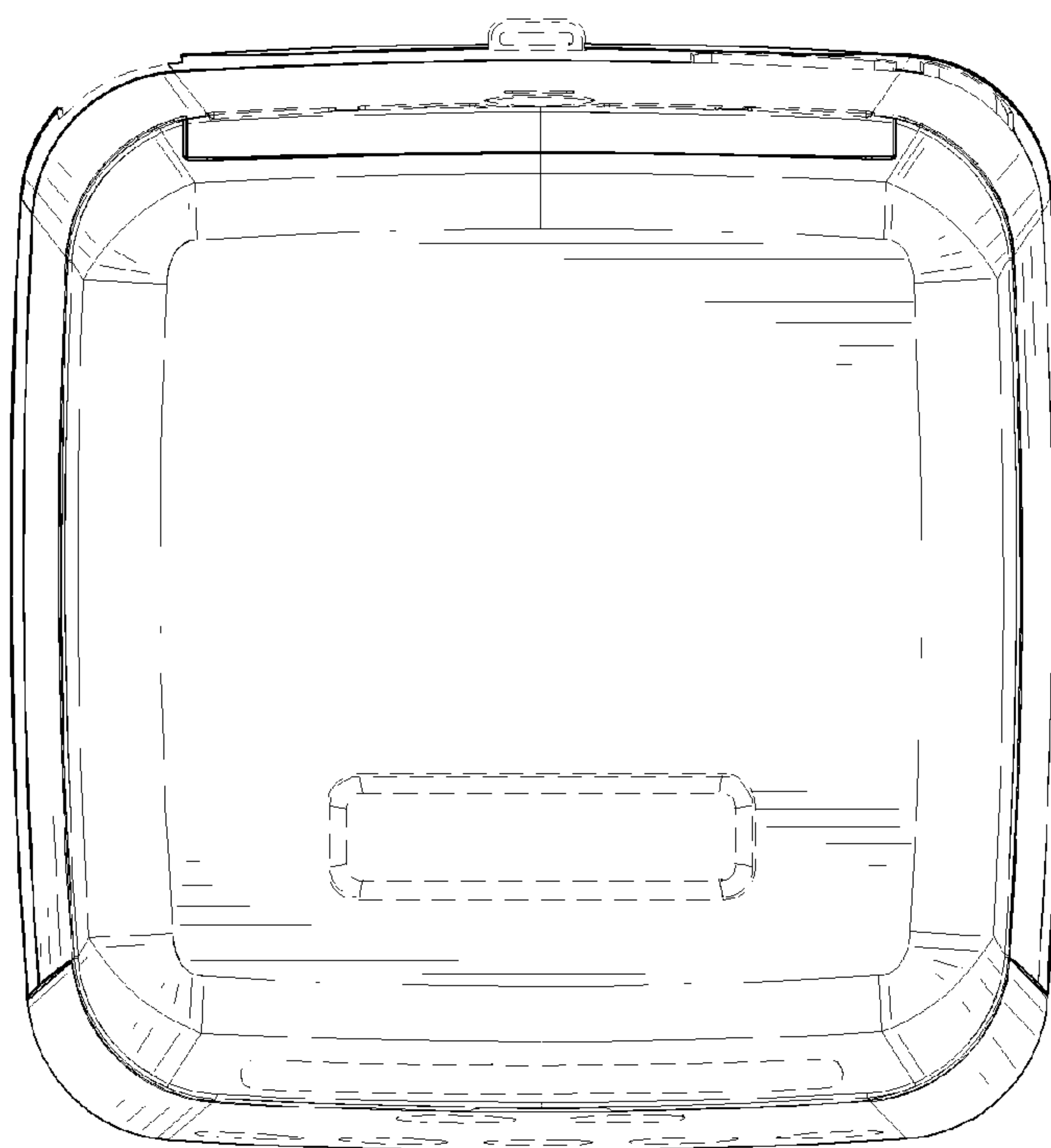


FIG. 7

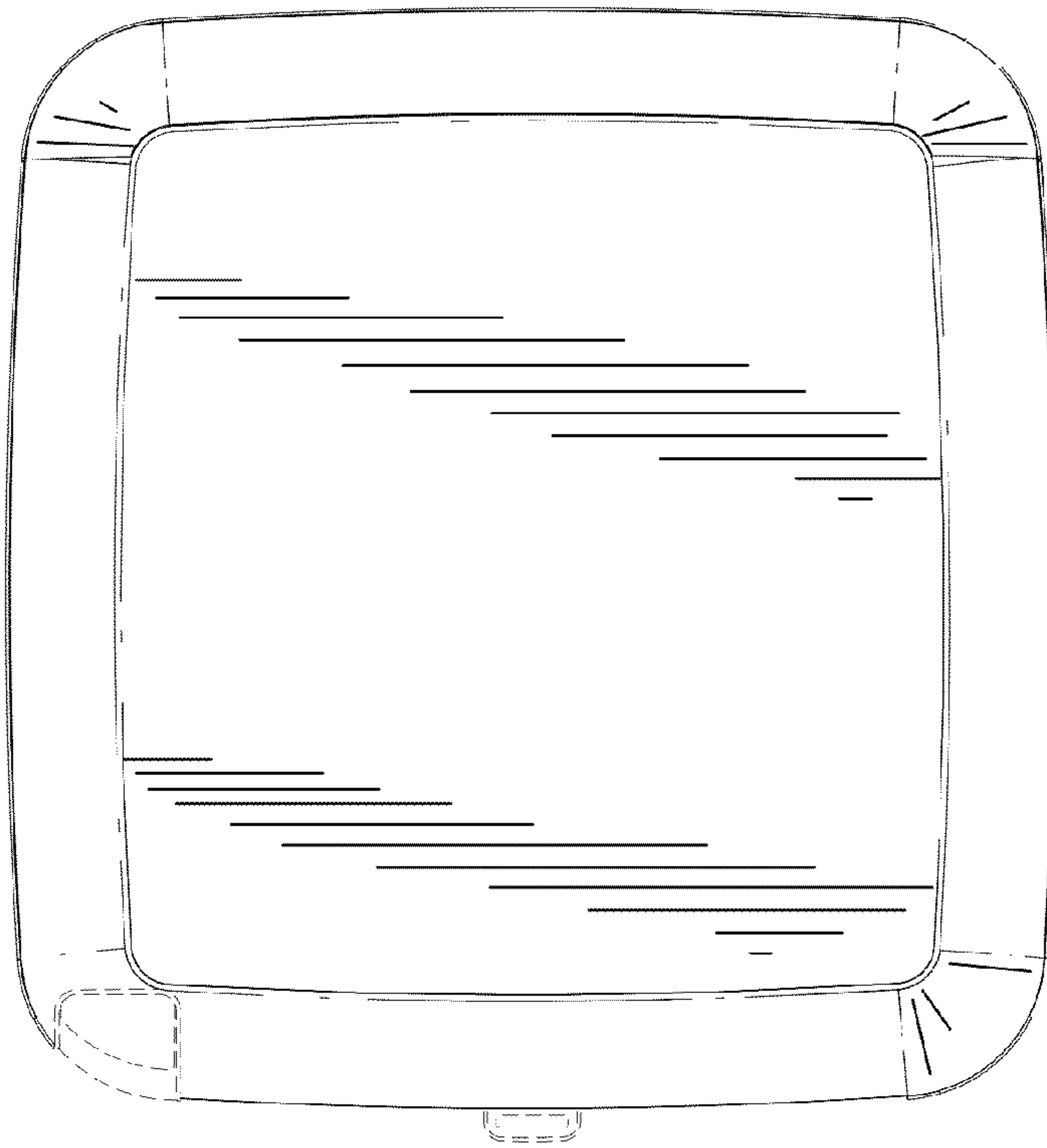


FIG. 8