



US00D732157S

(12) **United States Design Patent**  
**Lin et al.**

(10) **Patent No.:** **US D732,157 S**  
(45) **Date of Patent:** **\*\* Jun. 16, 2015**

- (54) **FAN ASSEMBLY**
- (71) Applicant: **Fanimation, Inc.**, Zionsville, IN (US)
- (72) Inventors: **Calvin Lin**, Taichung (TW); **Allen Lee**, Taichung (TW)
- (73) Assignee: **Fanimation, Inc.**, Zionville, IN (US)
- (\*\*) Term: **14 Years**
- (21) Appl. No.: **29/490,198**
- (22) Filed: **May 7, 2014**
- (51) **LOC (10) Cl.** ..... **23-04**
- (52) **U.S. Cl.**  
USPC ..... **D23/411; D23/377**
- (58) **Field of Classification Search**  
USPC ..... D23/370, 377, 379, 384, 385, 387, D23/411-414, 499; D26/51, 59, 72, 73, D26/80-86, 88, 90; 362/96; 416/5, 170 R, 416/214 R, 184, 206, 207, 210 R, 220 R, 416/244 R; 417/423.1; 392/361-364  
CPC ..... F04D 25/088; F04D 29/384; F04D 29/34; F01D 5/02; F21V 33/00  
See application file for complete search history.

- D510,622 S \* 10/2005 Tai ..... D23/411
- D510,992 S \* 10/2005 Bucher ..... D23/377
- D516,200 S \* 2/2006 Pickett ..... D23/411
- D516,704 S \* 3/2006 Pickett ..... D23/411
- D517,197 S \* 3/2006 Pickett ..... D23/411

(Continued)

**OTHER PUBLICATIONS**

Fannam Style Blog Post. fanimation.com (online) 3 pgs. Uploaded Jan, 2013 [retrieved on Jan. 30, 2015]. Retrieved from Internet: <<http://blog.fanimation.com/2013/01/fannam-style/>>.\*

(Continued)

*Primary Examiner* — Susan Bennett Hattan

*Assistant Examiner* — Marie Fast Horse

(74) *Attorney, Agent, or Firm* — Maginot, Moore & Beck LLP

(57) **CLAIM**

The ornamental design for a fan assembly, as shown and described.

**DESCRIPTION**

FIG. 1 is a perspective view of a fan assembly showing our new design;

FIG. 2 is a front elevational view showing the design for the fan assembly of FIG. 1;

FIG. 3 is a rear elevational view showing the design for the fan assembly of FIG. 1;

FIG. 4 is a right side elevational view showing the design for the fan assembly of FIG. 1;

FIG. 5 is a left side elevational view showing the design for the fan assembly of FIG. 1;

FIG. 6 is a top plan view showing the design for the fan assembly of FIG. 1; and,

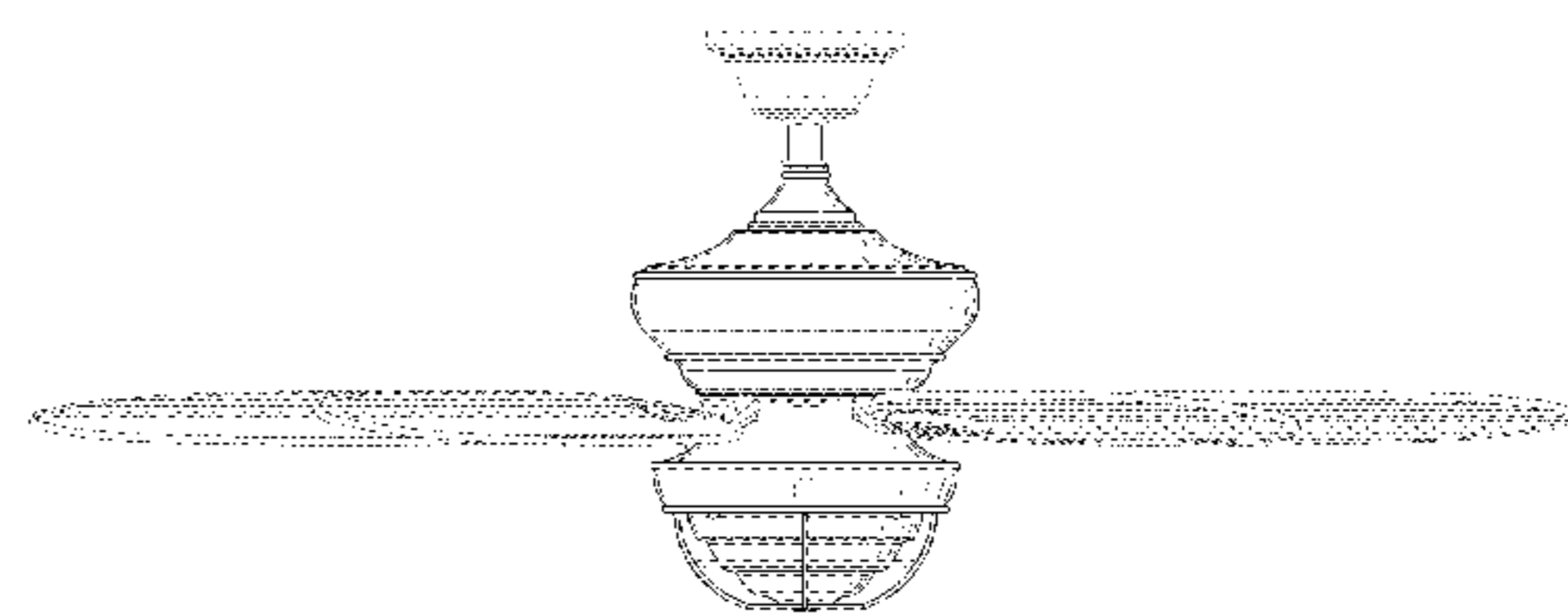
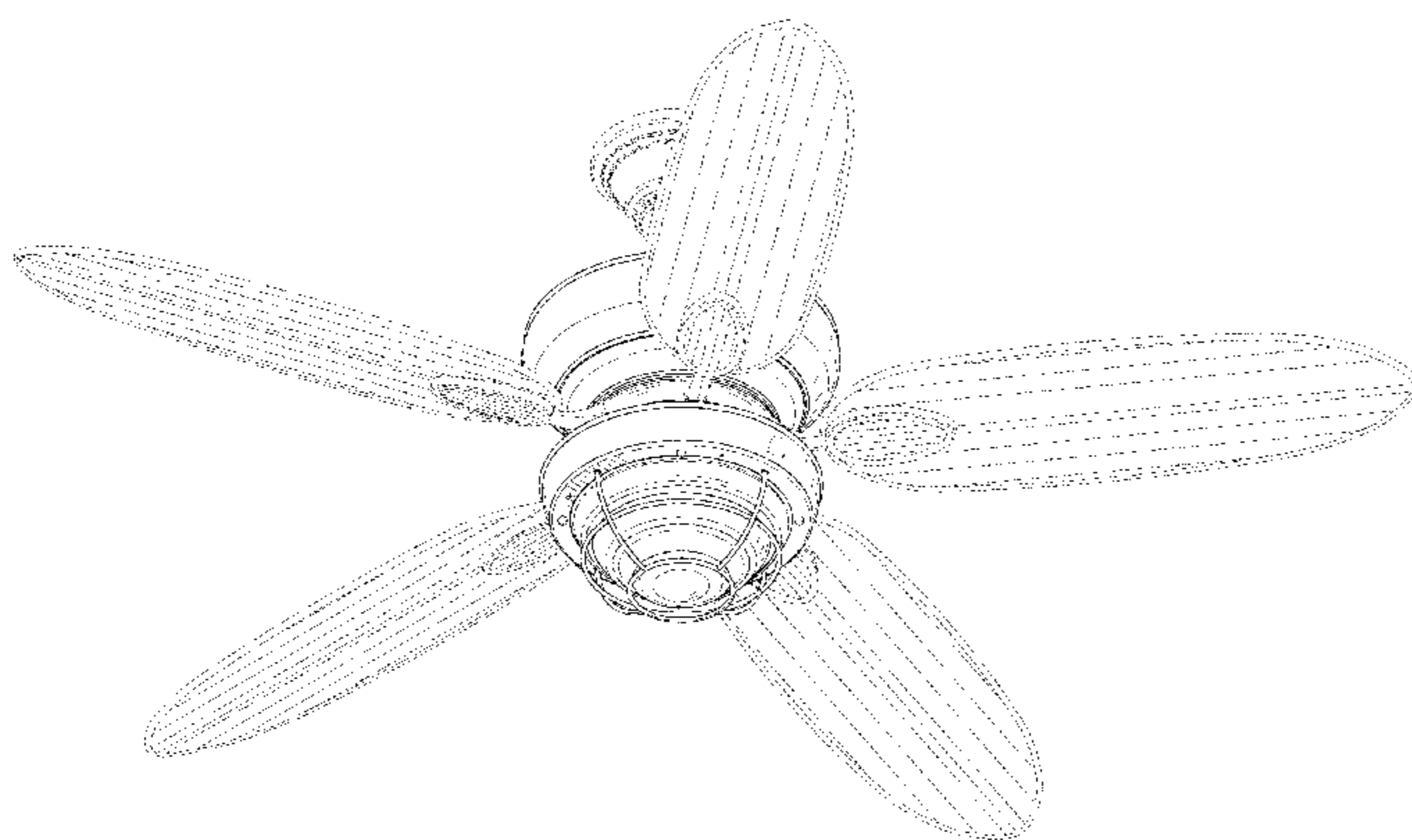
FIG. 7 is a bottom plan view showing the design for the fan assembly of FIG. 1.

In FIGS. 1-7, the broken line showing of portions of the fan assembly forms no part of the claimed design.

**1 Claim, 7 Drawing Sheets**

(56) **References Cited**  
U.S. PATENT DOCUMENTS

- D407,154 S \* 3/1999 Thomas ..... D23/411
- D435,289 S \* 12/2000 Liu ..... D23/411
- D452,307 S \* 12/2001 Dolan ..... D23/411
- D452,309 S \* 12/2001 Dolan ..... D23/411
- D464,722 S \* 10/2002 Sonneman ..... D23/377
- D465,277 S \* 11/2002 Sonneman ..... D23/411
- D476,406 S \* 6/2003 Friedes ..... D23/377
- D476,411 S \* 6/2003 Friedes ..... D23/411
- D483,850 S \* 12/2003 Tai ..... D23/377
- D484,588 S \* 12/2003 Tai ..... D23/377
- D487,801 S \* 3/2004 Hsieh ..... D23/377
- D502,770 S \* 3/2005 Hidalgo ..... D23/377
- D510,424 S \* 10/2005 Young ..... D23/377



(56)

**References Cited**

U.S. PATENT DOCUMENTS

D517,675 S \* 3/2006 Young ..... D23/377  
D519,200 S \* 4/2006 Young ..... D23/377  
D521,625 S \* 5/2006 Young ..... D23/377  
D522,643 S \* 6/2006 Hidalgo ..... D23/377  
D528,645 S \* 9/2006 Young ..... D23/377  
D539,894 S \* 4/2007 Bucher ..... D23/377  
D555,779 S \* 11/2007 Bucher ..... D23/377  
D576,265 S \* 9/2008 Bucher et al. .... D23/377  
D590,489 S \* 4/2009 Bucher et al. .... D23/377

D620,581 S \* 7/2010 Chen ..... D23/377  
D635,236 S \* 3/2011 Orozco ..... D23/377  
D643,105 S \* 8/2011 Orozco ..... D23/377  
D699,339 S \* 2/2014 Wang ..... D23/385  
D707,340 S \* 6/2014 Pan ..... D23/377

OTHER PUBLICATIONS

Fanimation Aug. 2013-2014 Catalog(online) 5 pgs. Aug 2013  
[retrieved on Feb. 4, 2015]. Retrieved from Internet: <<http://fanimation.s3.amazonaws.com/LTFC-August2013-catalog.pdf>>.\*

\* cited by examiner

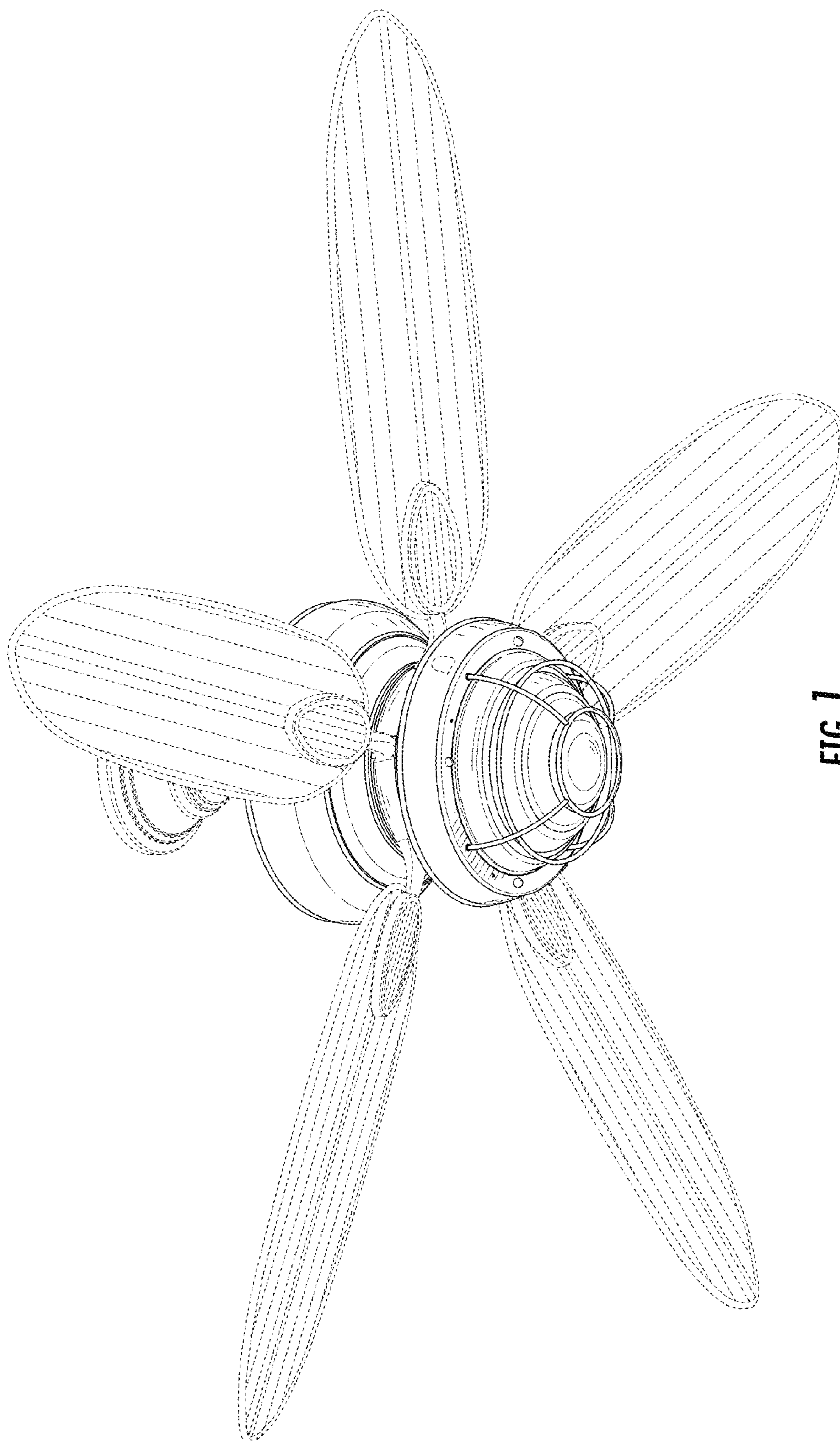


FIG. 1

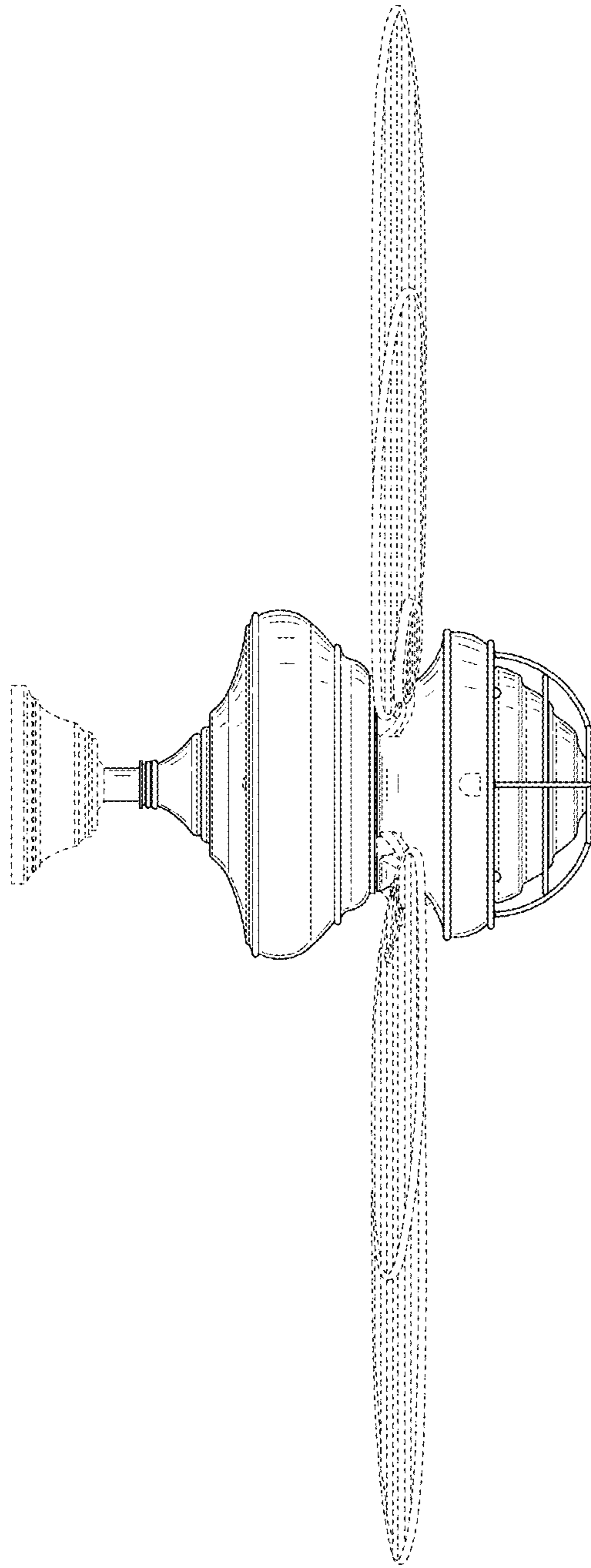


FIG. 2

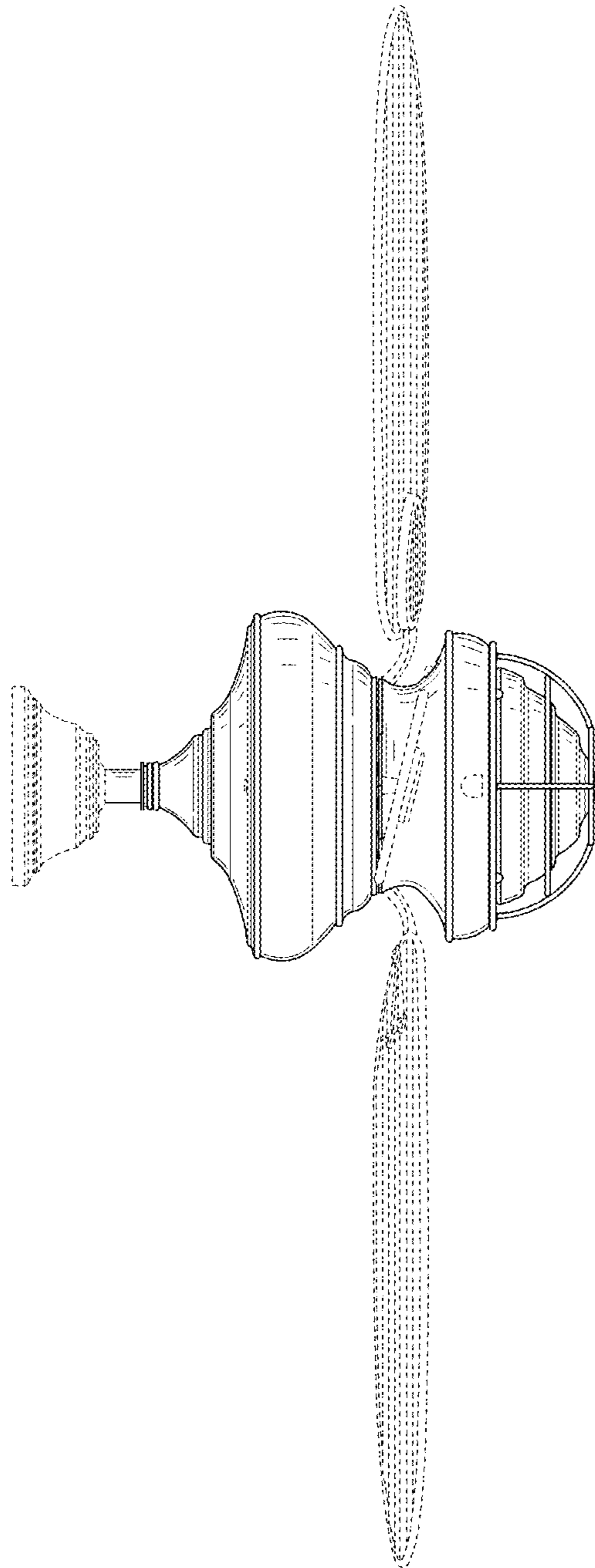


FIG. 3

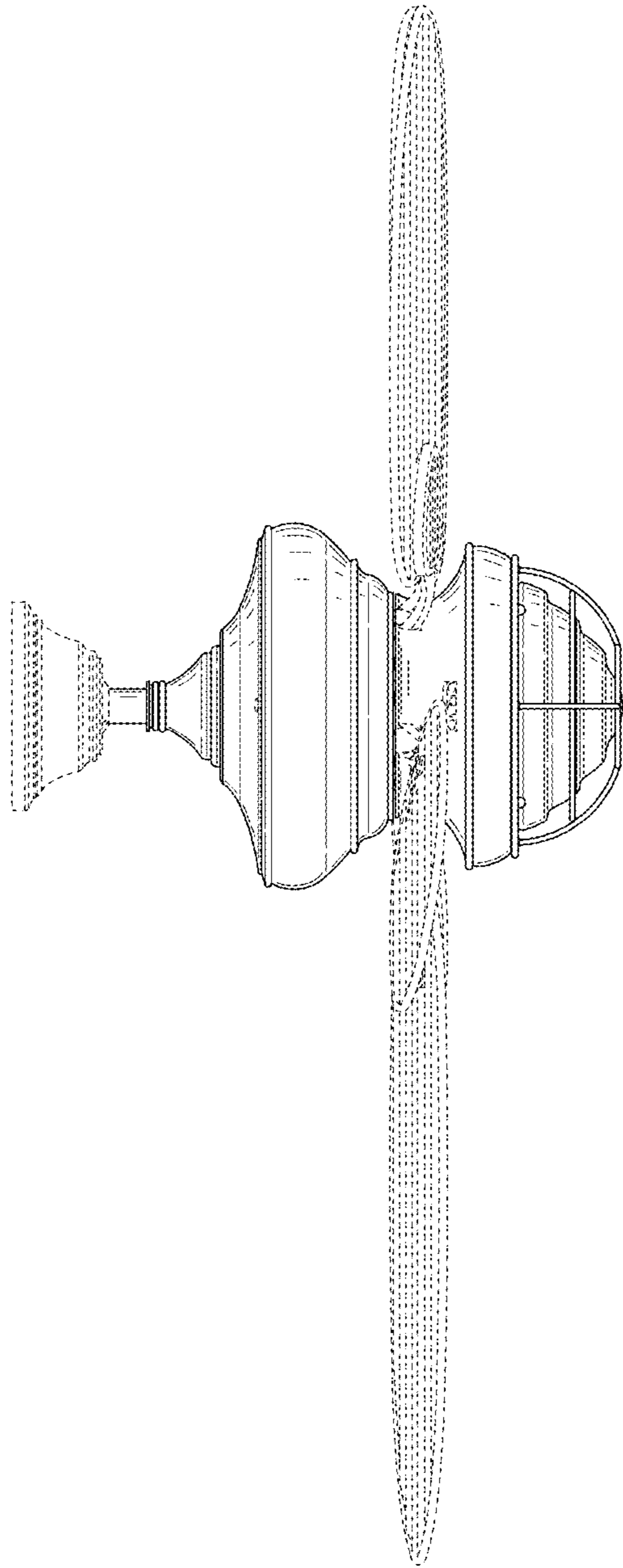


FIG. 4

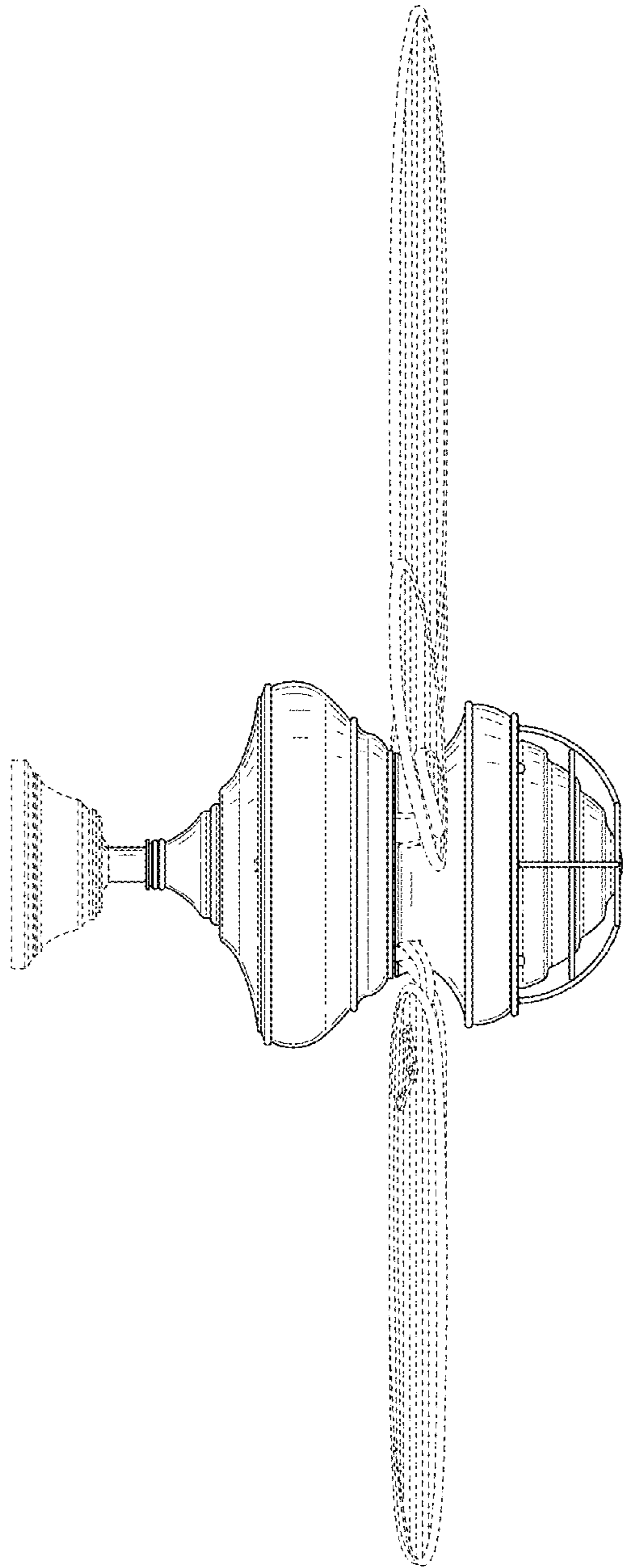


FIG. 5

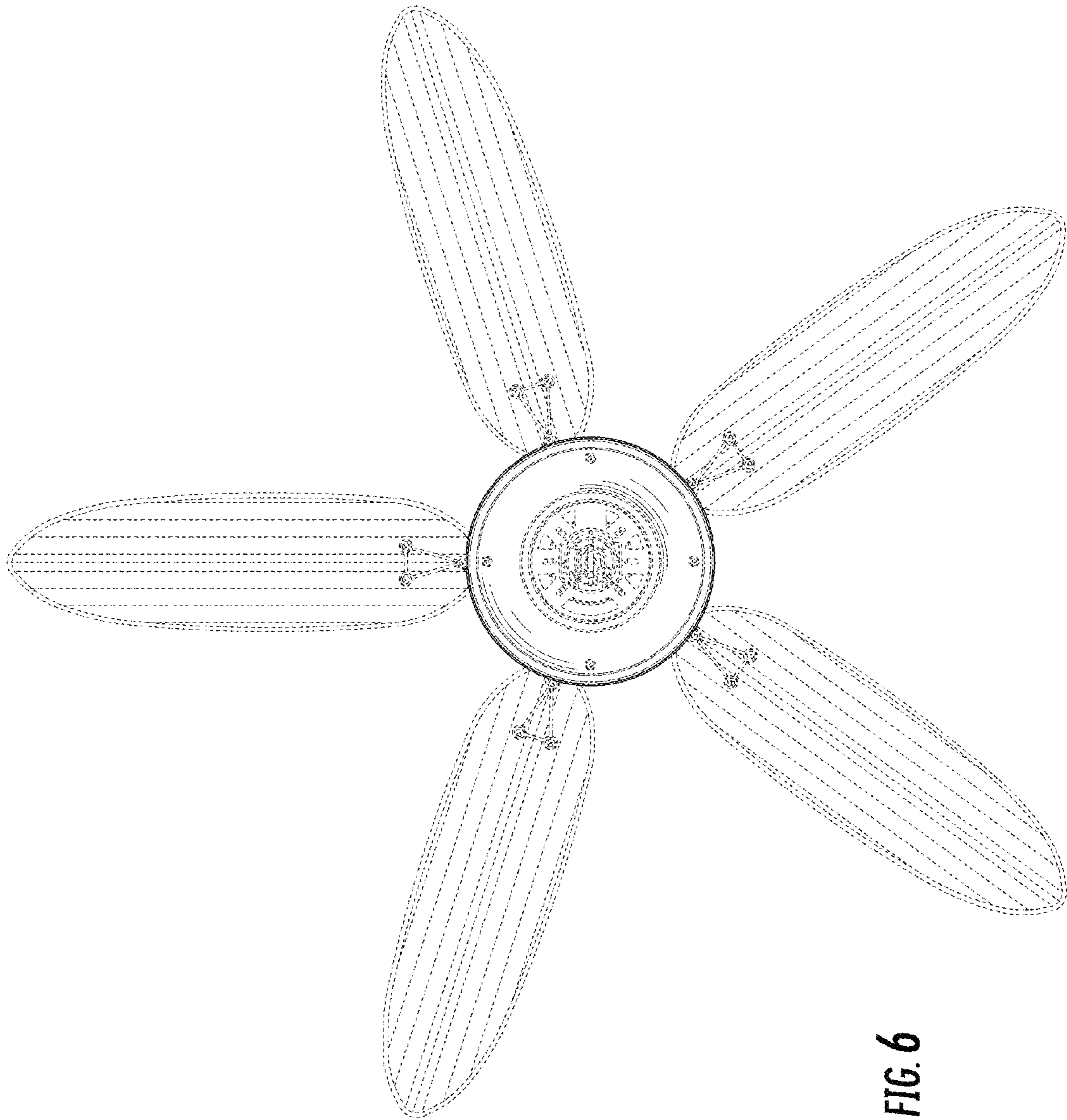


FIG. 6



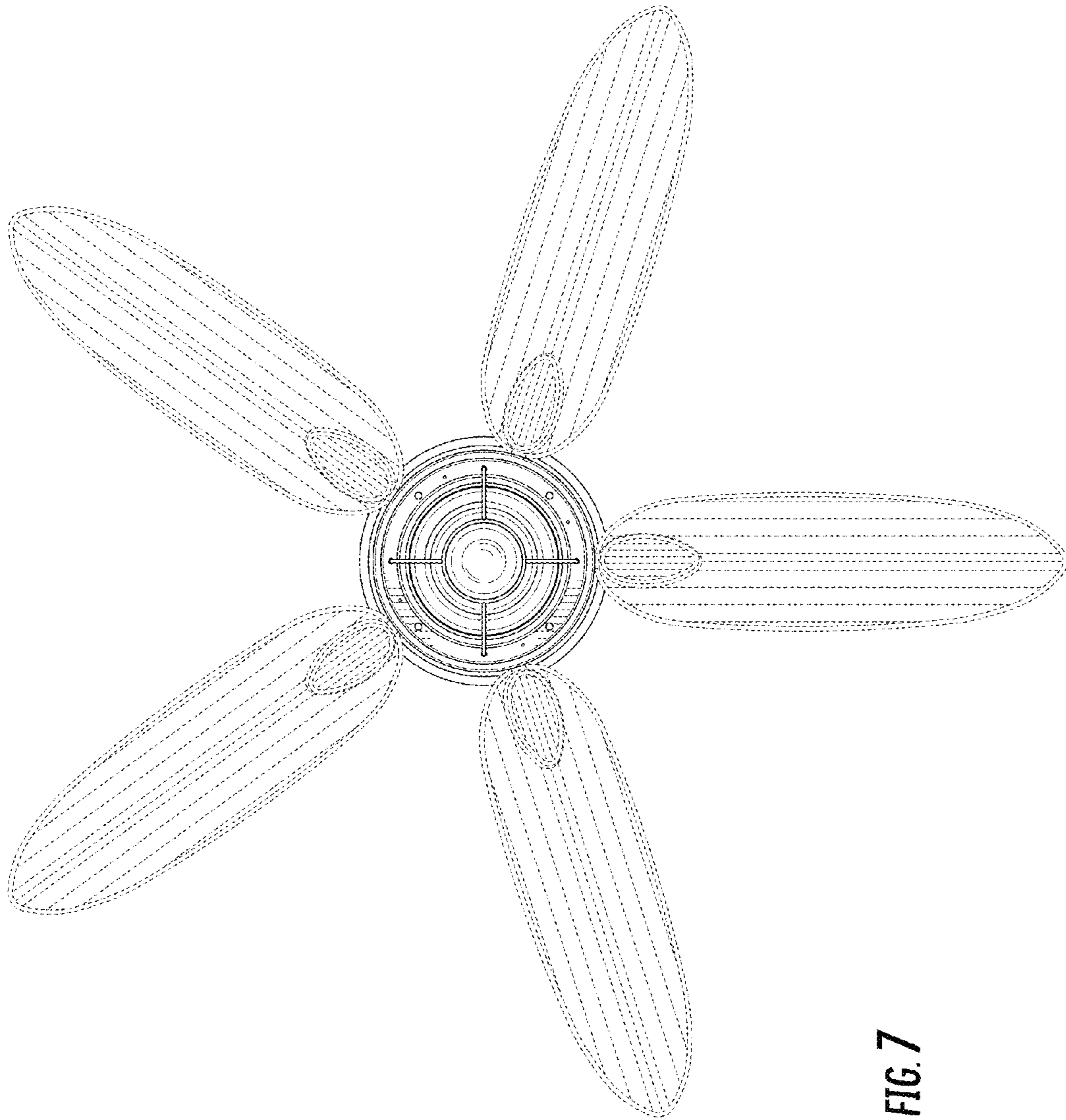


FIG. 7