



US00D732153S

(12) **United States Design Patent**
Sanocki et al.

(10) **Patent No.:** **US D732,153 S**
(45) **Date of Patent:** **** Jun. 16, 2015**

(54) **AIR FILTER**
(71) Applicant: **3M INNOVATIVE PROPERTIES COMPANY**, St. Paul, MN (US)
(72) Inventors: **Stephen M. Sanocki**, Hudson, WI (US); **Christopher K. Enstrom**, Eagan, MN (US); **Glen O. Gregerson**, Hudson, WI (US); **Daniel E. Johnson**, Marine On St. Croix, MN (US); **Andrew R. Fox**, Oakdale, MN (US)

4,464,187 A 8/1984 Kershaw
4,636,233 A 1/1987 Lizmore
D336,678 S * 6/1993 Finkelstein et al. D23/209
5,230,455 A * 7/1993 Price 226/88
5,256,231 A 10/1993 Gorman
5,342,423 A 8/1994 Taft
5,525,145 A 6/1996 Hodge
5,620,545 A 4/1997 Braun
5,681,302 A 10/1997 Melbye
5,704,953 A 1/1998 Stemmer
5,800,588 A 9/1998 Miller
5,810,898 A 9/1998 Miller
D402,356 S 12/1998 Hodge
6,033,454 A 3/2000 Hoeffken
D435,640 S * 12/2000 Oussoren D23/365
6,209,724 B1 4/2001 Miller
6,280,824 B1 8/2001 Insley
D449,098 S 10/2001 Reede

(73) Assignee: **3M INNOVATIVE PROPERTIES COMPANY**, St. Paul, MN (US)

(**) Term: **14 Years**

(21) Appl. No.: **29/464,482**

(22) Filed: **Aug. 16, 2013**

(51) **LOC (10) Cl.** **23-02**

(52) **U.S. Cl.**
USPC **D23/365**

(58) **Field of Classification Search**
USPC D23/365, 209, 363, 358, 386, 354, 341, D23/364; 55/385.3, 502, 497, 506, 505, 55/521, 495, 422, 493, DIG. 30; 210/435, 210/130, 136, 248, 339, 448, 452, 497.1; D32/31; D15/5

See application file for complete search history.

(56) **References Cited**

U.S. PATENT DOCUMENTS

3,023,839 A 3/1962 Best
3,401,803 A * 9/1968 Bub 210/488
3,411,272 A * 11/1968 Carmon 96/418
3,830,045 A 8/1974 Copenhefer
4,002,034 A 1/1977 Mühling
4,086,071 A 4/1978 Champlin
4,105,423 A 8/1978 Latakas
4,372,763 A 2/1983 Champlin
4,420,315 A 12/1983 Kershaw

(Continued)

OTHER PUBLICATIONS

U.S. Appl. No. 29/424,105, filed Jun. 7, 2012 entitled "Air Filter".

Primary Examiner — David Muller

(74) *Attorney, Agent, or Firm* — Irina Hass

(57) **CLAIM**

The ornamental design for an air filter, as shown and described.

DESCRIPTION

FIG. 1 is a perspective view showing the new design for an air filter;

FIG. 2 is a top view thereof;

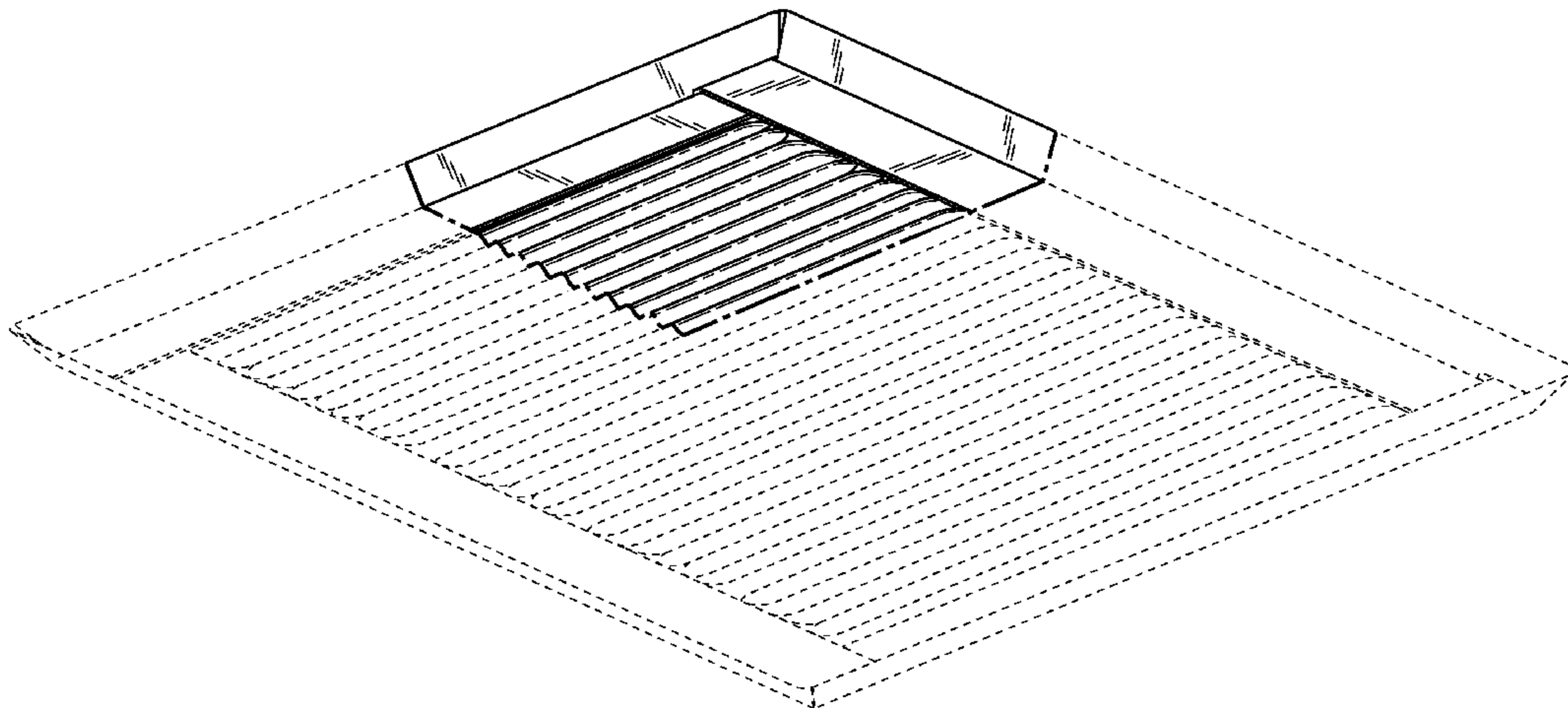
FIG. 3 is a bottom view thereof;

FIG. 4 is a front view thereof; and,

FIG. 5 is a side view thereof.

The portions in the drawing views shown in broken lines form no part of the claimed design. In addition, the dot-dash-dot type broken lines shown in the drawing views define the boundaries of the claimed design and form no part of the claimed design.

1 Claim, 4 Drawing Sheets



(56)

References Cited

U.S. PATENT DOCUMENTS

D449,100 S 10/2001 Sundet
6,464,745 B2 10/2002 Rivera
6,537,935 B1 3/2003 Seth
7,052,565 B2 5/2006 Seth
7,070,641 B1 * 7/2006 Gunderson et al. 55/497
7,118,610 B2 10/2006 Lipner
D544,949 S * 6/2007 Winters et al. D23/365

D548,826 S 8/2007 Katta
7,517,378 B2 4/2009 Knapp
D605,274 S * 12/2009 Kawano et al. D23/365
D618,779 S 6/2010 Jenkins
D634,413 S * 3/2011 Wallace D23/354
8,197,571 B2 6/2012 Porter
8,353,975 B2 1/2013 Brück
D679,792 S * 4/2013 Hollingsworth D23/365
8,741,018 B2 * 6/2014 Belcher et al. 55/498
2009/0301044 A1 12/2009 Miller

* cited by examiner

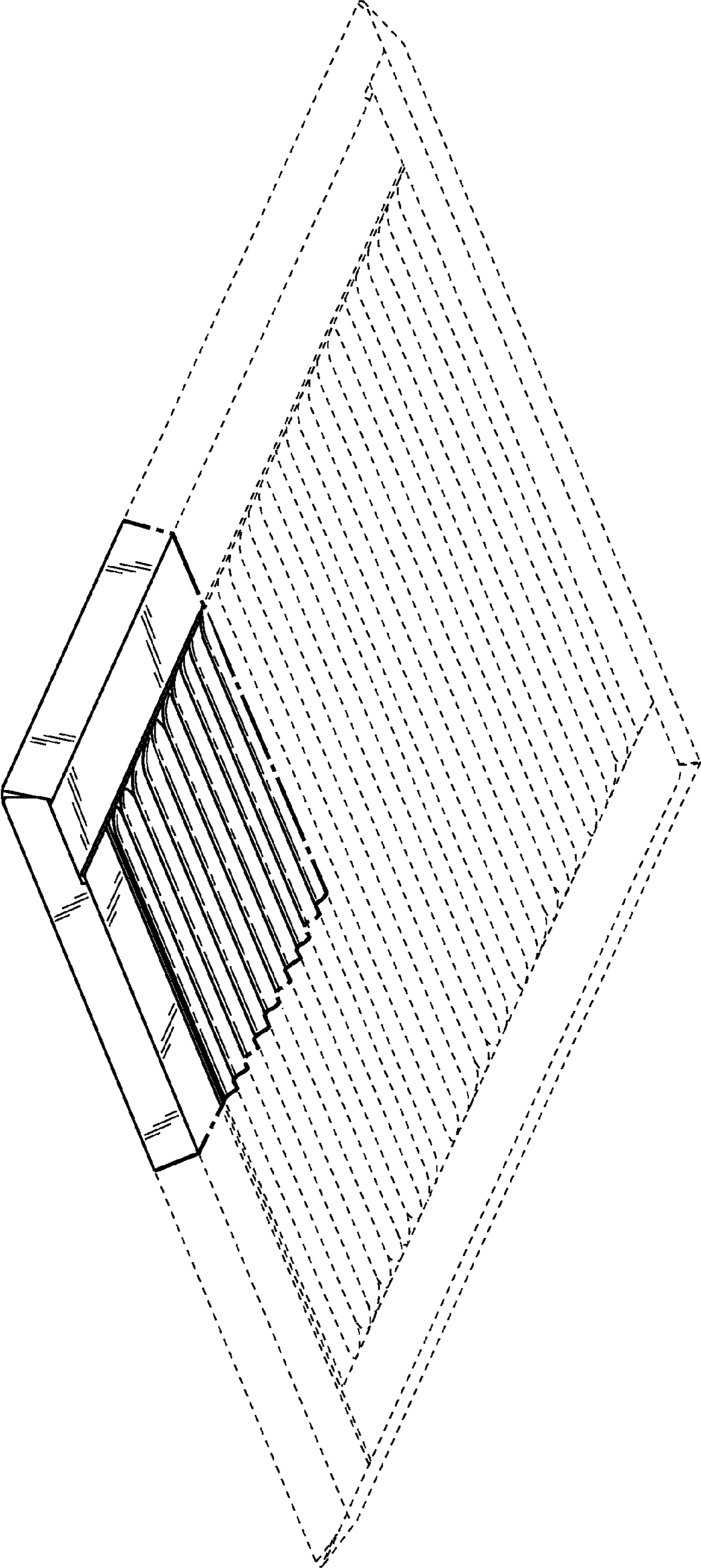


Fig. 1

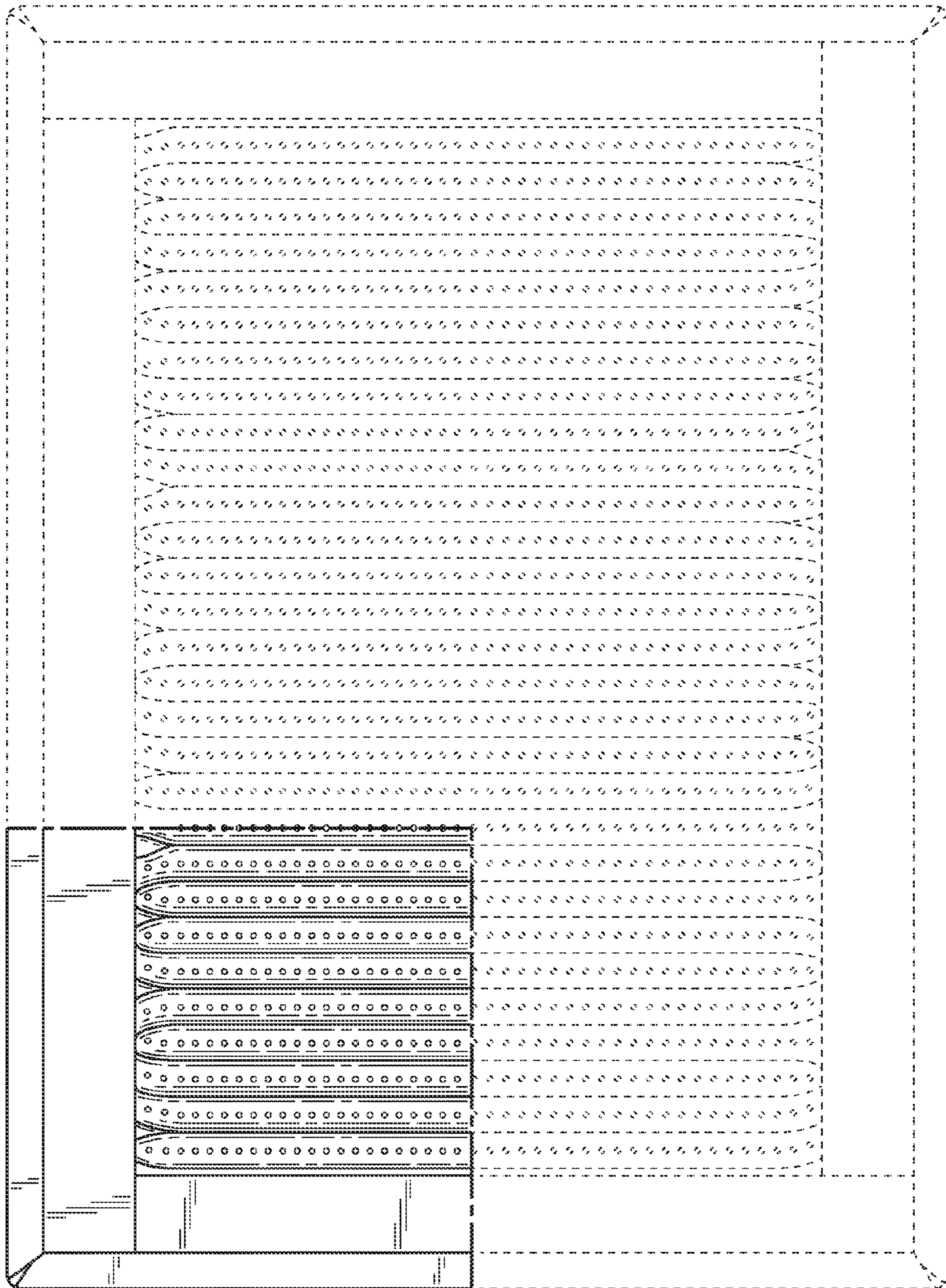


Fig. 2

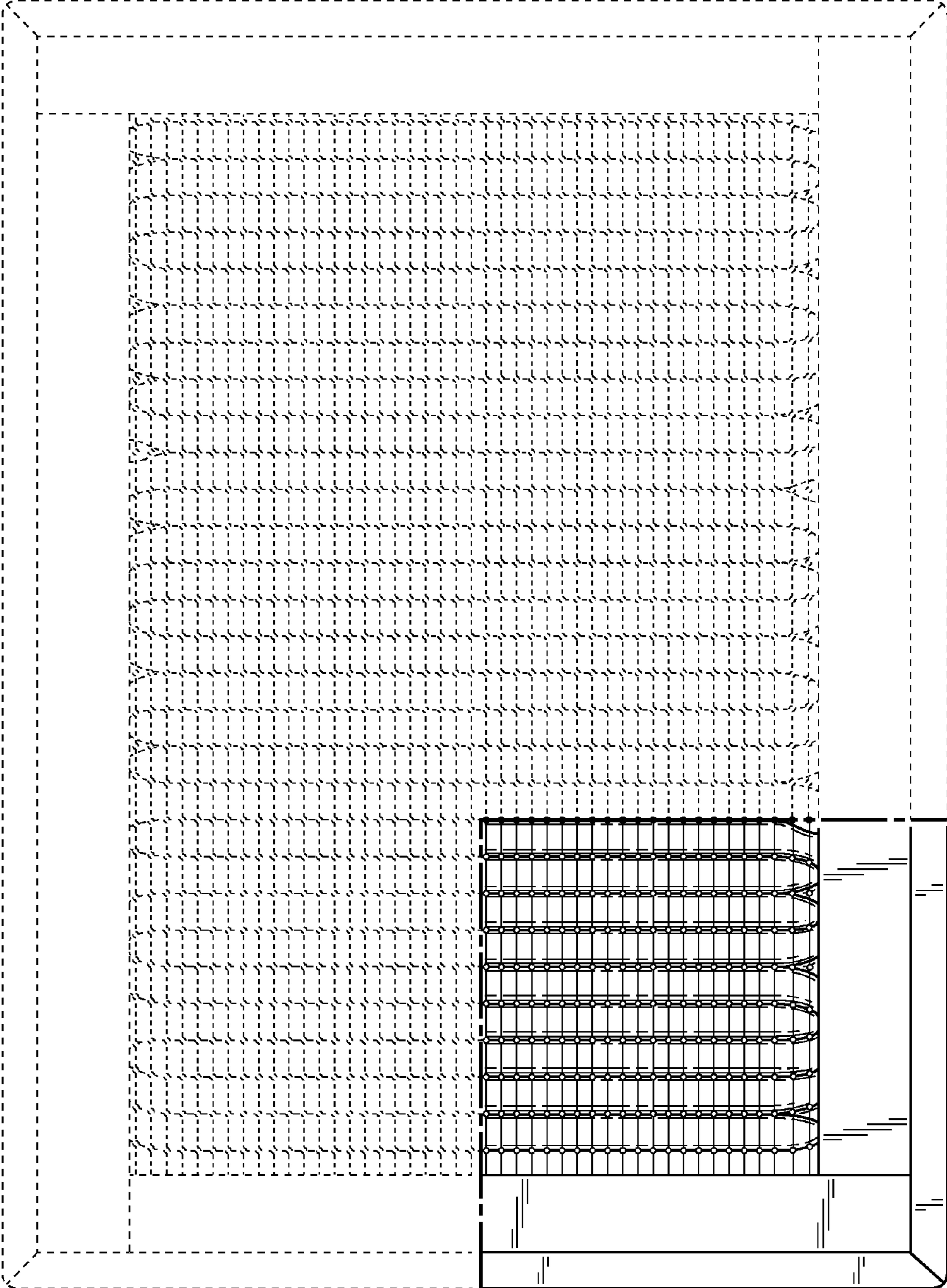


Fig. 3



Fig. 4

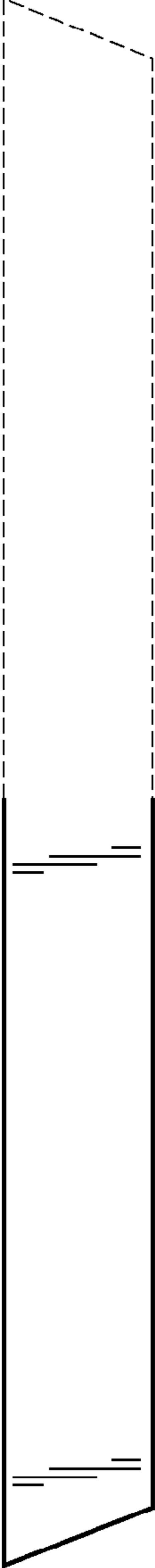


Fig. 5