



US00D732151S

(12) **United States Design Patent**
Ebaugh

(10) **Patent No.:** **US D732,151 S**
(45) **Date of Patent:** **** Jun. 16, 2015**

(54) **TOILET SEAT**

(71) Applicant: **George S. Ebaugh**, Albuquerque, NM
(US)

(72) Inventor: **George S. Ebaugh**, Albuquerque, NM
(US)

(**) Term: **14 Years**

(21) Appl. No.: **29/499,180**

(22) Filed: **Aug. 12, 2014**

(51) **LOC (10) Cl.** **23-02**

(52) **U.S. Cl.**
USPC **D23/311**

(58) **Field of Classification Search**
USPC D23/303, 311
CPC . A47K 13/005; A47K 2017/006; A47K 17/00
See application file for complete search history.

(56) **References Cited**

U.S. PATENT DOCUMENTS

1,010,658	A	12/1911	McAuliffe	
1,055,219	A *	3/1913	Pilkington D23/311
1,737,572	A	12/1929	Costigan	
2,696,619	A	3/1952	Ring	
2,679,054	A	5/1954	Singleton	
D172,564	S	7/1954	Ring	
D185,693	S	7/1959	Yukihiro	
3,063,063	A	11/1962	Brooks	
D206,221	S *	11/1966	Jensen et al. D23/310
3,471,874	A	10/1969	Dixon	

4,133,061	A	1/1979	Hurd	
5,182,818	A	2/1993	Nawoj	
5,267,357	A	12/1993	Ades	
5,396,663	A	3/1995	Burgess	
5,414,875	A	5/1995	Kappl et al.	
5,933,875	A	8/1999	Hulsebus et al.	
6,338,167	B1	1/2002	Baker et al.	
7,461,411	B2 *	12/2008	Wolf 4/239
D660,406	S *	5/2012	Thom et al. D23/310
8,312,571	B2 *	11/2012	Vierkant et al. 4/237
2006/0113504	A1	6/2006	Tollin	
2008/0271230	A1	11/2008	Laundre	

* cited by examiner

Primary Examiner — Robert Delehanty

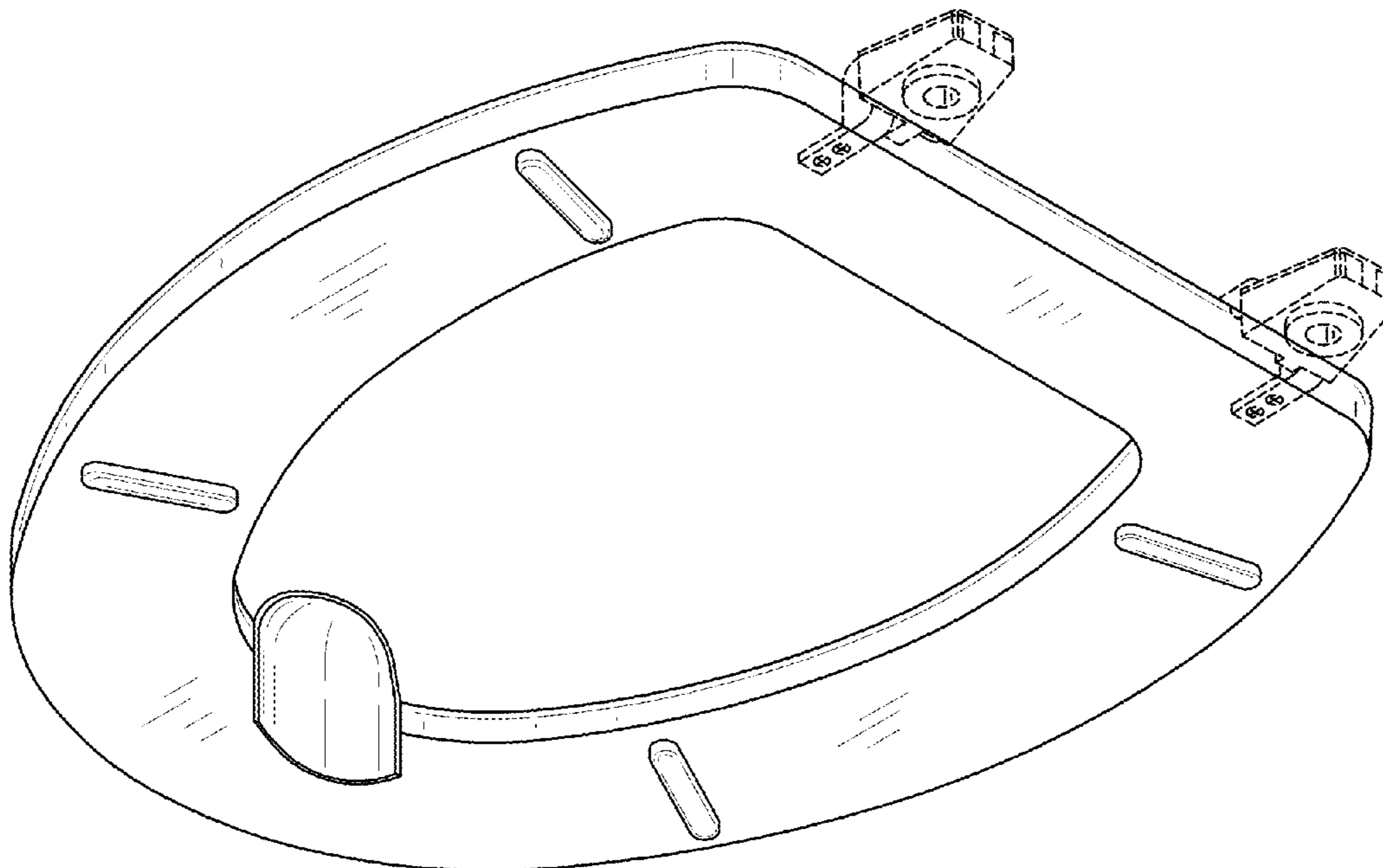
(57) **CLAIM**

The ornamental design for a toilet seat, as shown and described.

DESCRIPTION

FIG. 1 is a top view of a toilet seat showing my new design; FIG. 2 is a bottom view of the toilet seat; FIG. 3 is a front view of the toilet seat; FIG. 4 is a rear view of the toilet seat; FIG. 5 is an inverted side view of the toilet seat; FIG. 6 is a top rear side perspective view of the toilet seat; and, FIG. 7 is a bottom rear side perspective view of the toilet seat. The broken lines showing hinges are included for the purpose of illustrating a portion of the toilet seat that forms no part of the claimed design.

1 Claim, 4 Drawing Sheets



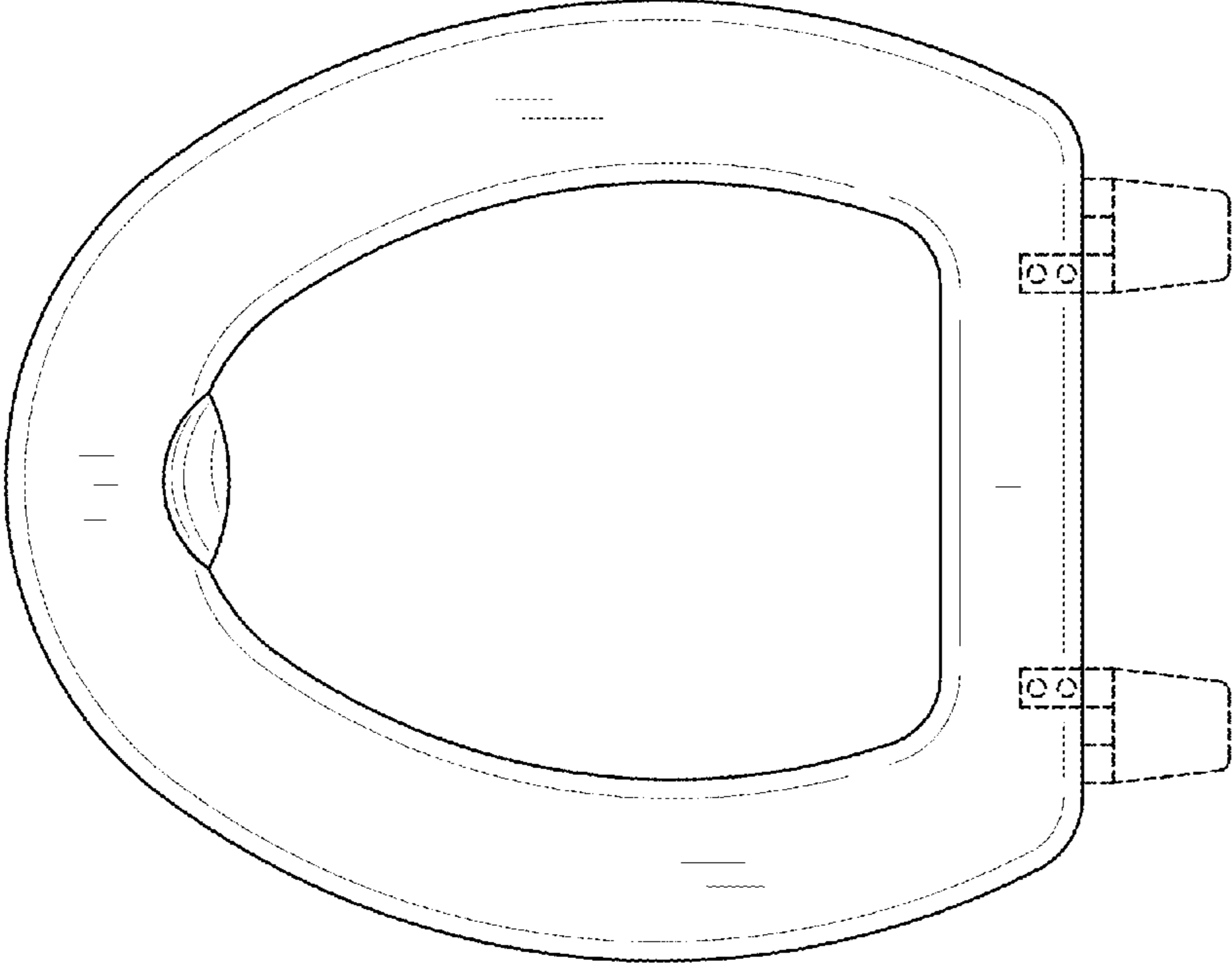


FIG. 1

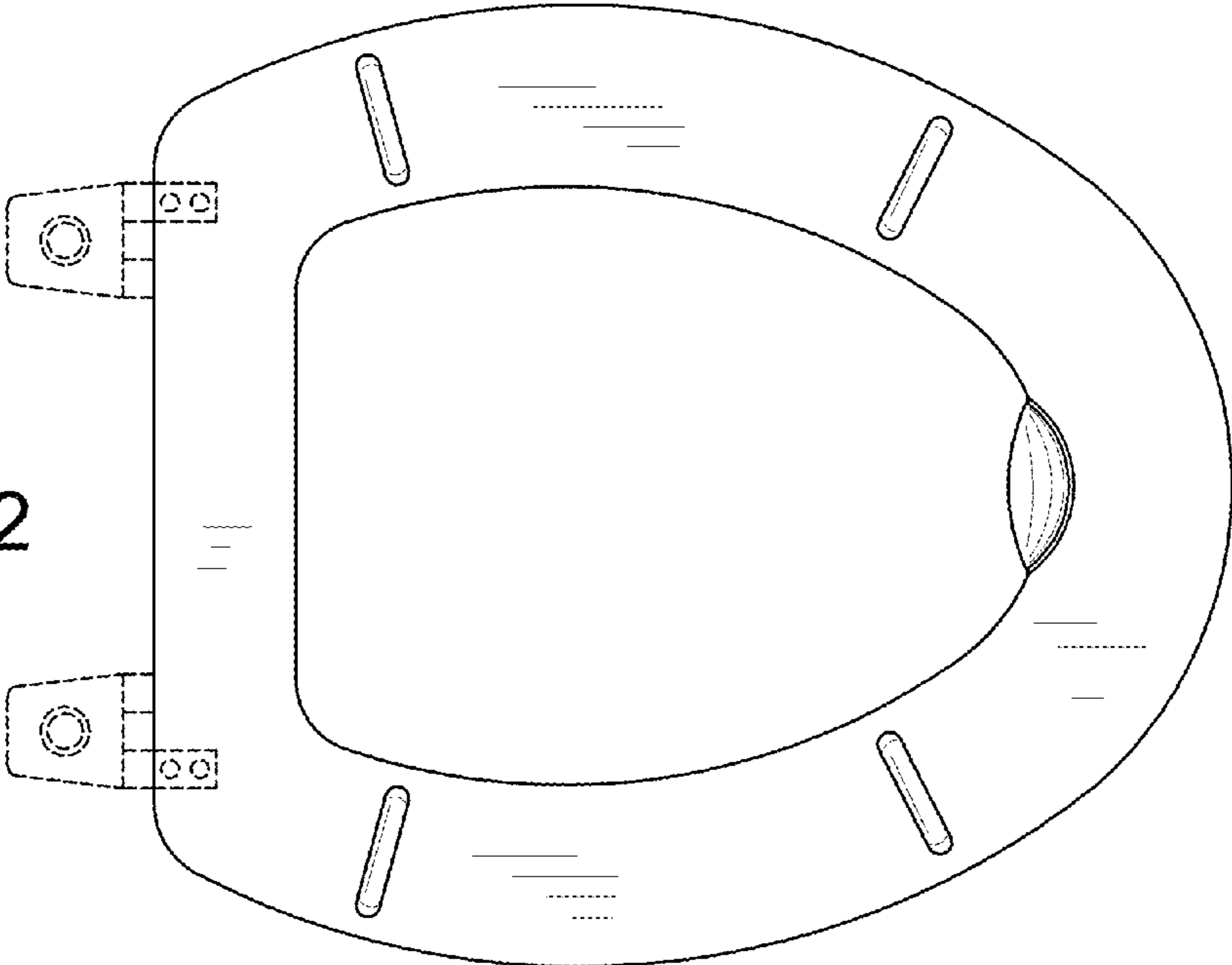


FIG. 2

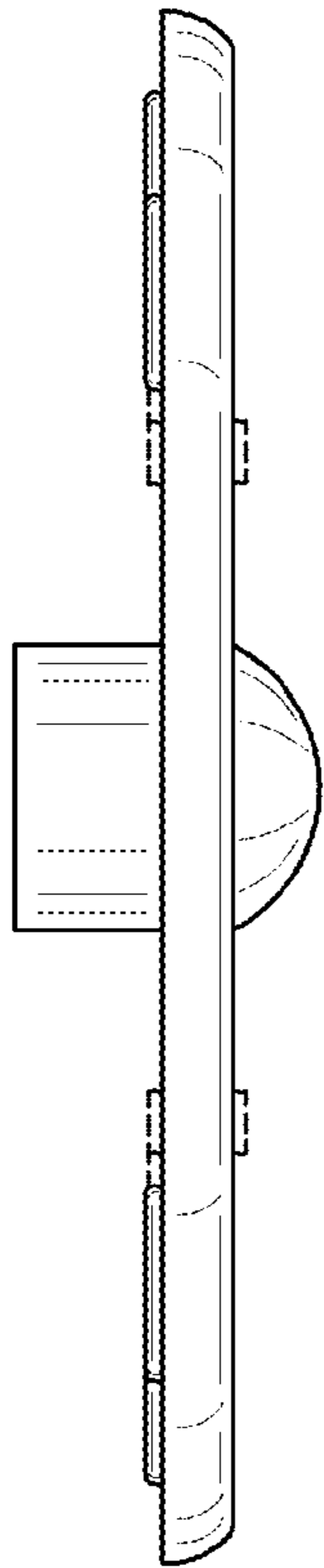


FIG. 3

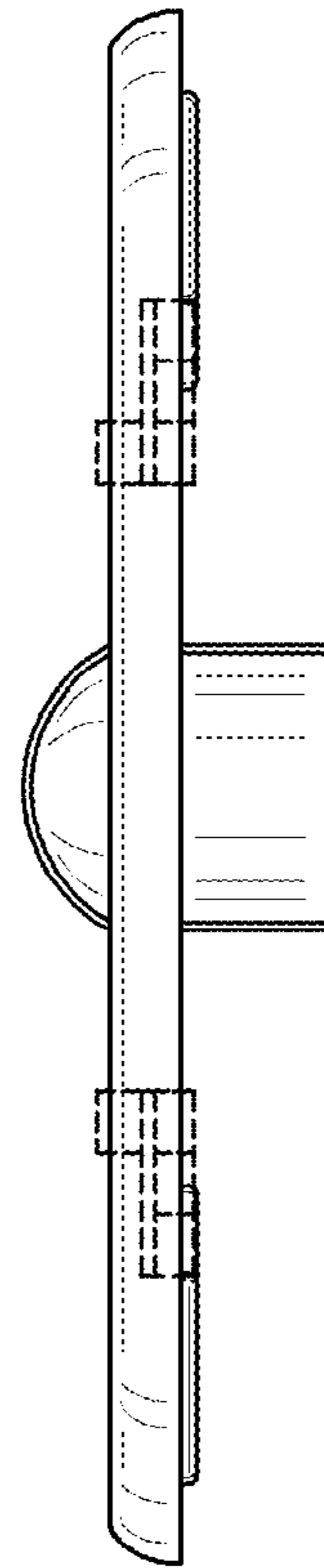


FIG. 4

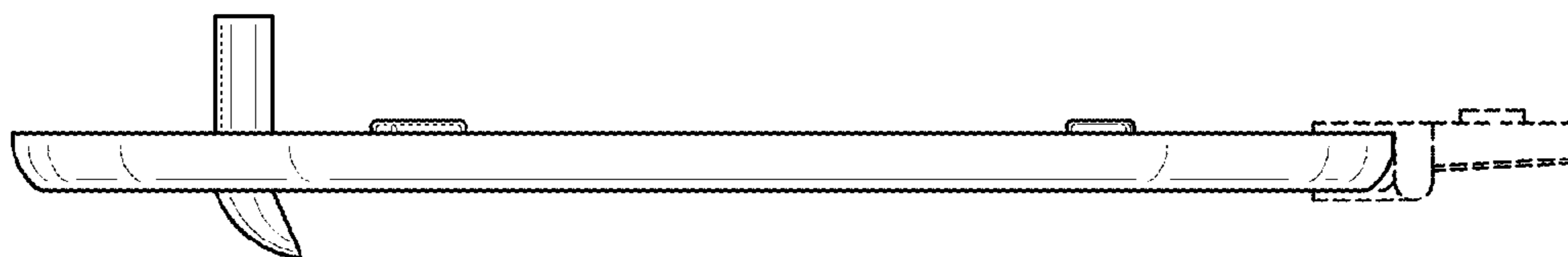


FIG. 5

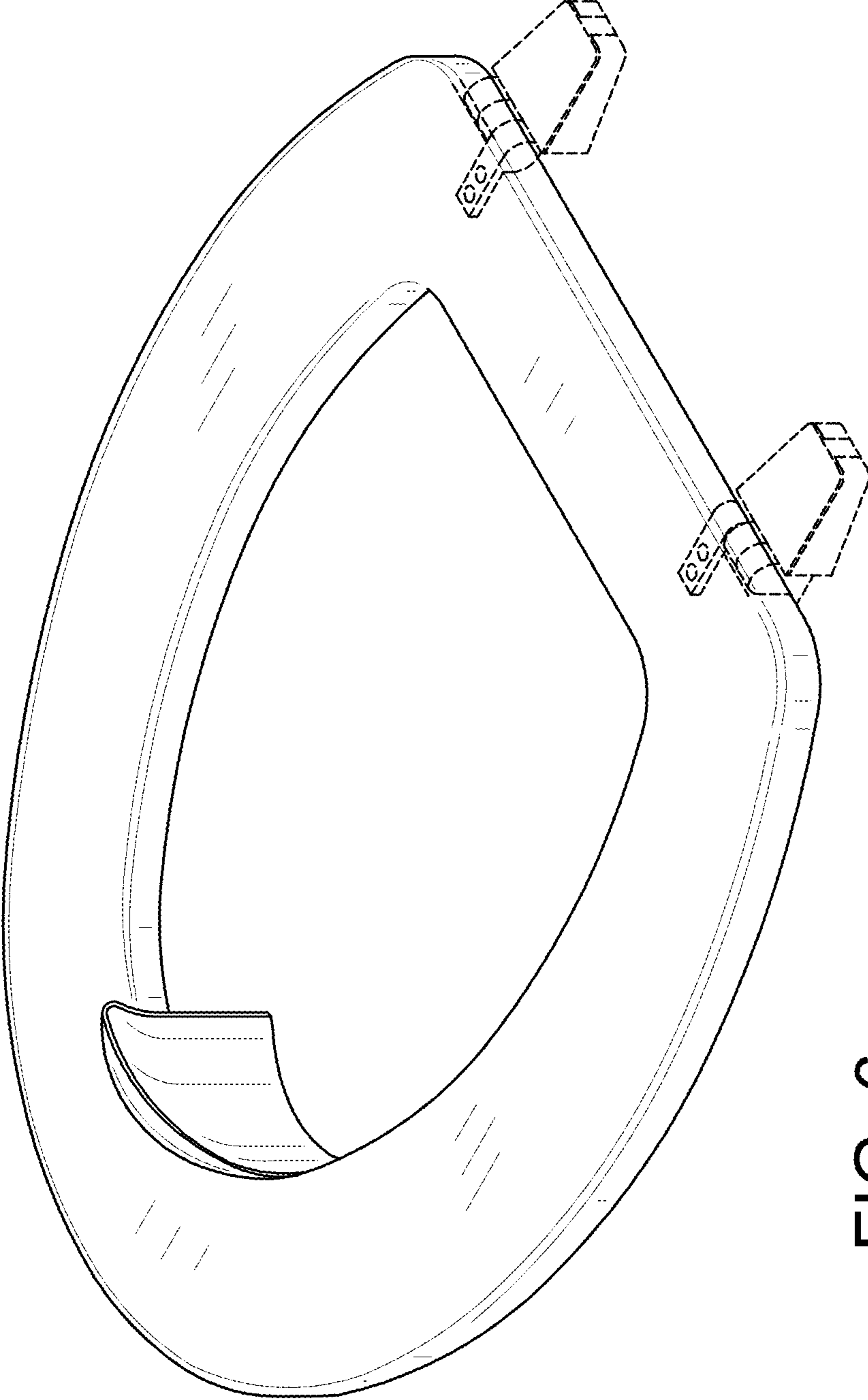


FIG. 6

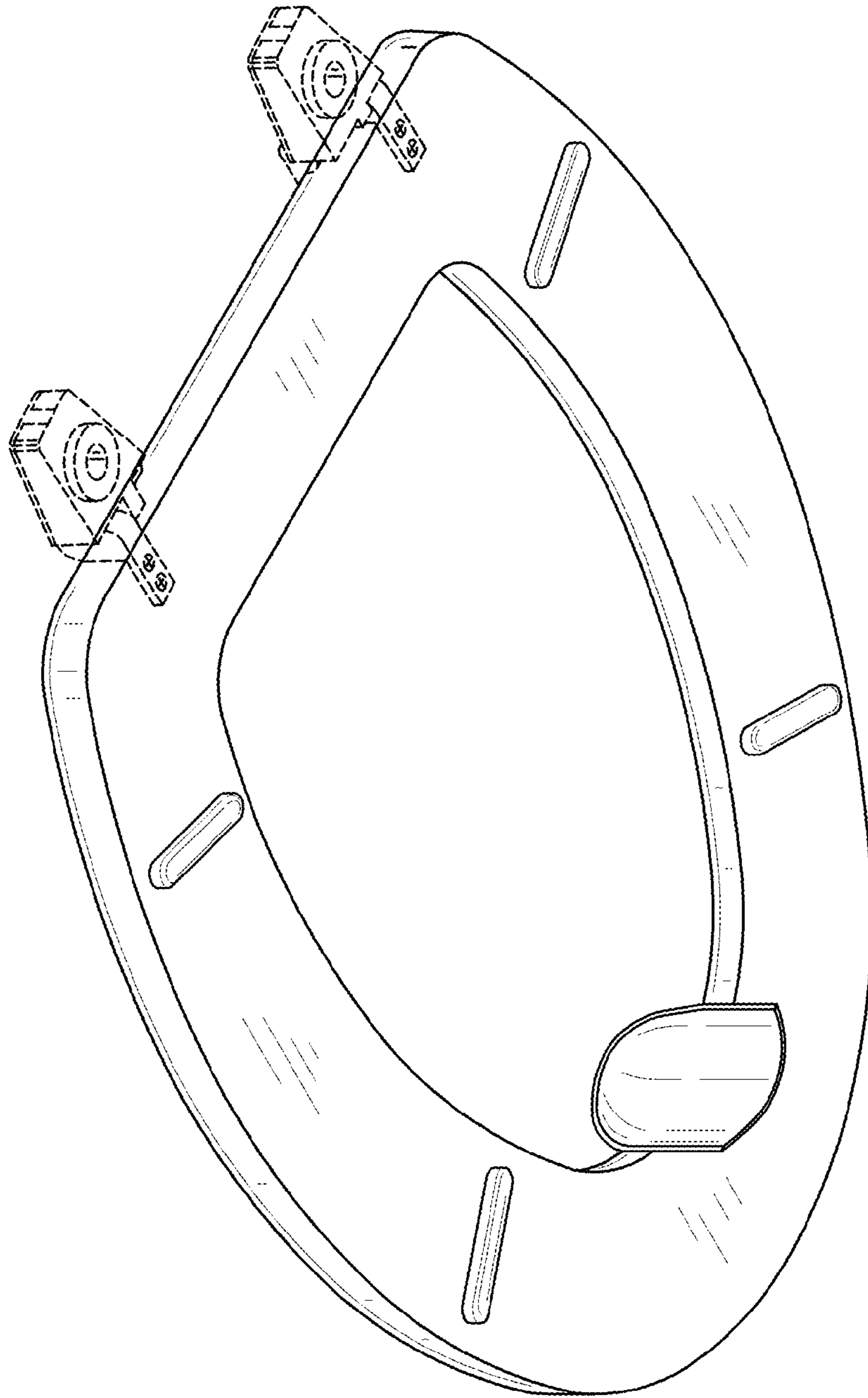


FIG. 7