

US00D732147S

(12) **United States Design Patent**
French

(10) **Patent No.:** **US D732,147 S**
(45) **Date of Patent:** **** Jun. 16, 2015**

(54) **GUTTER OUTLET**

- (71) Applicant: **Jerry Ray French**, Seaside, OR (US)
- (72) Inventor: **Jerry Ray French**, Seaside, OR (US)
- (**) Term: **14 Years**
- (21) Appl. No.: **29/478,091**
- (22) Filed: **Dec. 31, 2013**
- (51) **LOC (10) Cl.** **23-01**
- (52) **U.S. Cl.**
USPC **D23/267**
- (58) **Field of Classification Search**
USPC D23/267; 52/11, 12, 16, 58; 210/162;
248/48.1, 48.2
See application file for complete search history.

(56) **References Cited**

U.S. PATENT DOCUMENTS

299,175	A *	5/1884	Sheets	454/32
1,374,866	A *	4/1921	Spencer	285/148.24
1,771,176	A *	7/1930	Holub	285/148.22
2,777,405	A *	1/1957	Ager	52/16
2,963,783	A *	12/1960	Field	428/581
3,871,145	A *	3/1975	Hatmaker	52/60
4,009,894	A *	3/1977	Marquette et al.	285/183
4,046,409	A *	9/1977	Virgin	285/305
4,760,981	A *	8/1988	Hodges	248/57
4,829,886	A *	5/1989	Battaglin	454/289
4,956,948	A *	9/1990	Hart	52/16
5,526,612	A *	6/1996	Wade	52/12
6,273,145	B1 *	8/2001	Botting	138/166
6,537,446	B1 *	3/2003	Sanguinetti	210/163
7,096,627	B2 *	8/2006	Wade	52/12
D528,646	S *	9/2006	Stout, Jr.	D23/393
7,390,251	B2 *	6/2008	Hadlock, Jr.	454/330
2005/0086883	A1 *	4/2005	Wade	52/302.1

OTHER PUBLICATIONS

Raindrop Widemouth Downspout Outlet, no reference date could be established [online], [site visited Aug. 11, 2014]. Available from internet, <URL: [http://www.raindropgutterguard.com/raindrop-gutter-guard-videos/#prettyPhoto\[gallery\]/16/](http://www.raindropgutterguard.com/raindrop-gutter-guard-videos/#prettyPhoto[gallery]/16/)>.*

Big Mouth Gutter Outlet, no reference date available [online], [site visited Aug. 11, 2014]. Available from internet, <URL: http://www.theguttermanllc.com/gutter_services.phtml>.*

* cited by examiner

Primary Examiner — Eric Goodman

Assistant Examiner — Daniel J Domino

(74) *Attorney, Agent, or Firm* — Chernoff, Vilhauer, McClung & Stenzel, LLP

(57) **CLAIM**

The ornamental design for a gutter outlet, as shown and described.

DESCRIPTION

FIG. 1 is an isometric view from the upper right rear of a gutter outlet embodying my new design, shown as attached to the bottom of a gutter;

FIG. 2 is a front view of the gutter outlet shown in FIG. 1;

FIG. 3 is a top view of the gutter outlet shown in FIG. 1 as seen from the front.

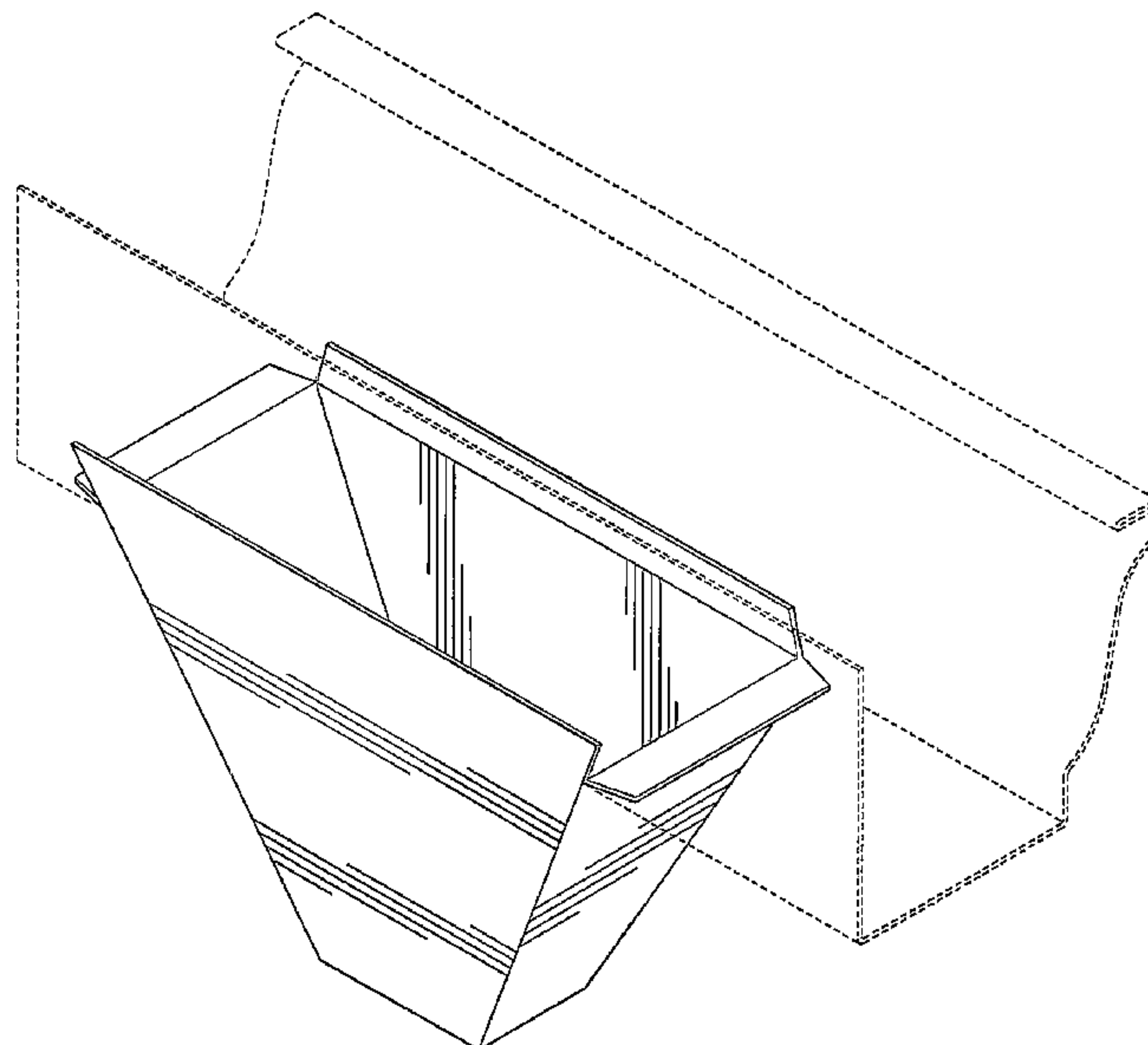
FIG. 4 is a top view of the gutter outlet shown in FIG. 1 as seen from the back.

FIG. 5 is a side view of the gutter outlet shown in FIG. 1; and,

FIG. 6 is rear view of the gutter outlet shown in FIG. 1.

The broken lines shown in FIGS. 1 and 5 are for the purpose of illustrating environment and form no part of the claimed design.

1 Claim, 3 Drawing Sheets



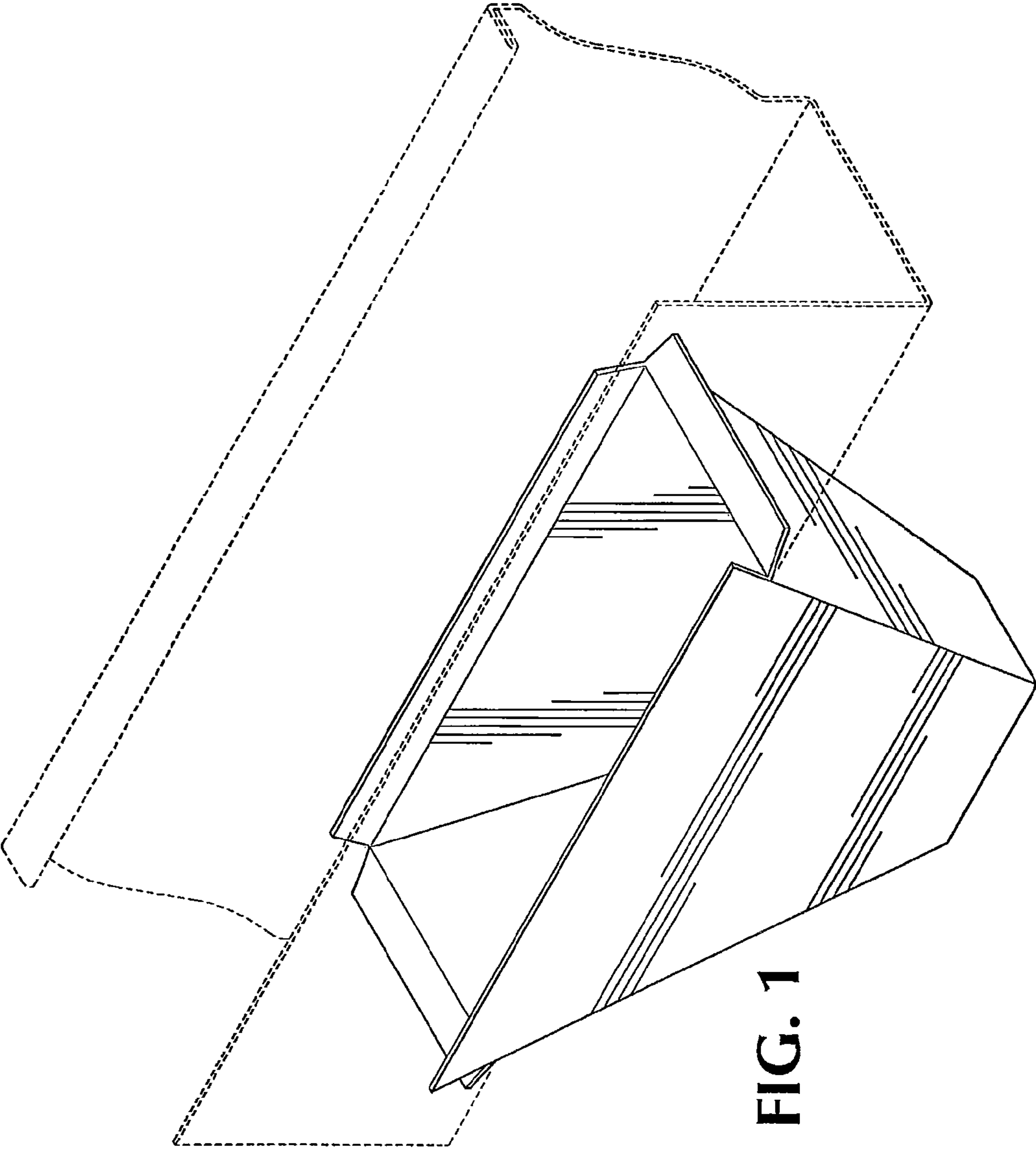


FIG. 1

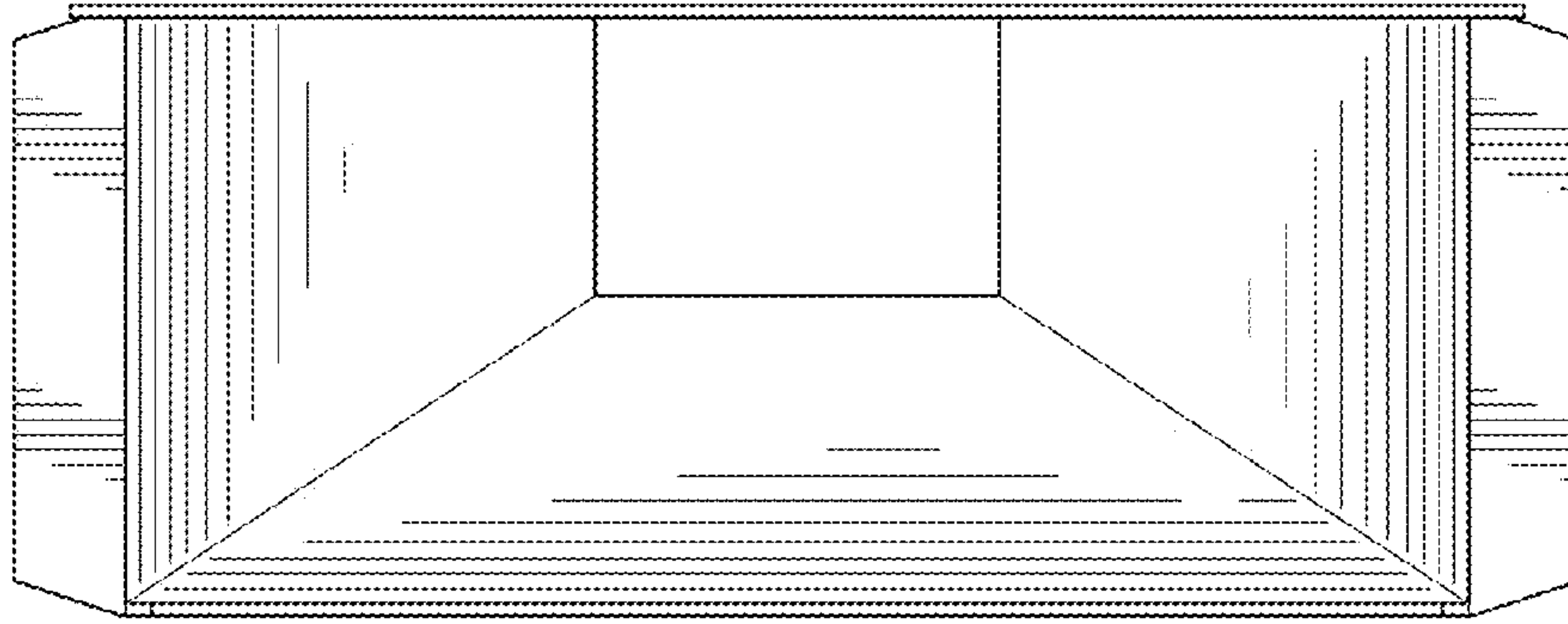


FIG. 3

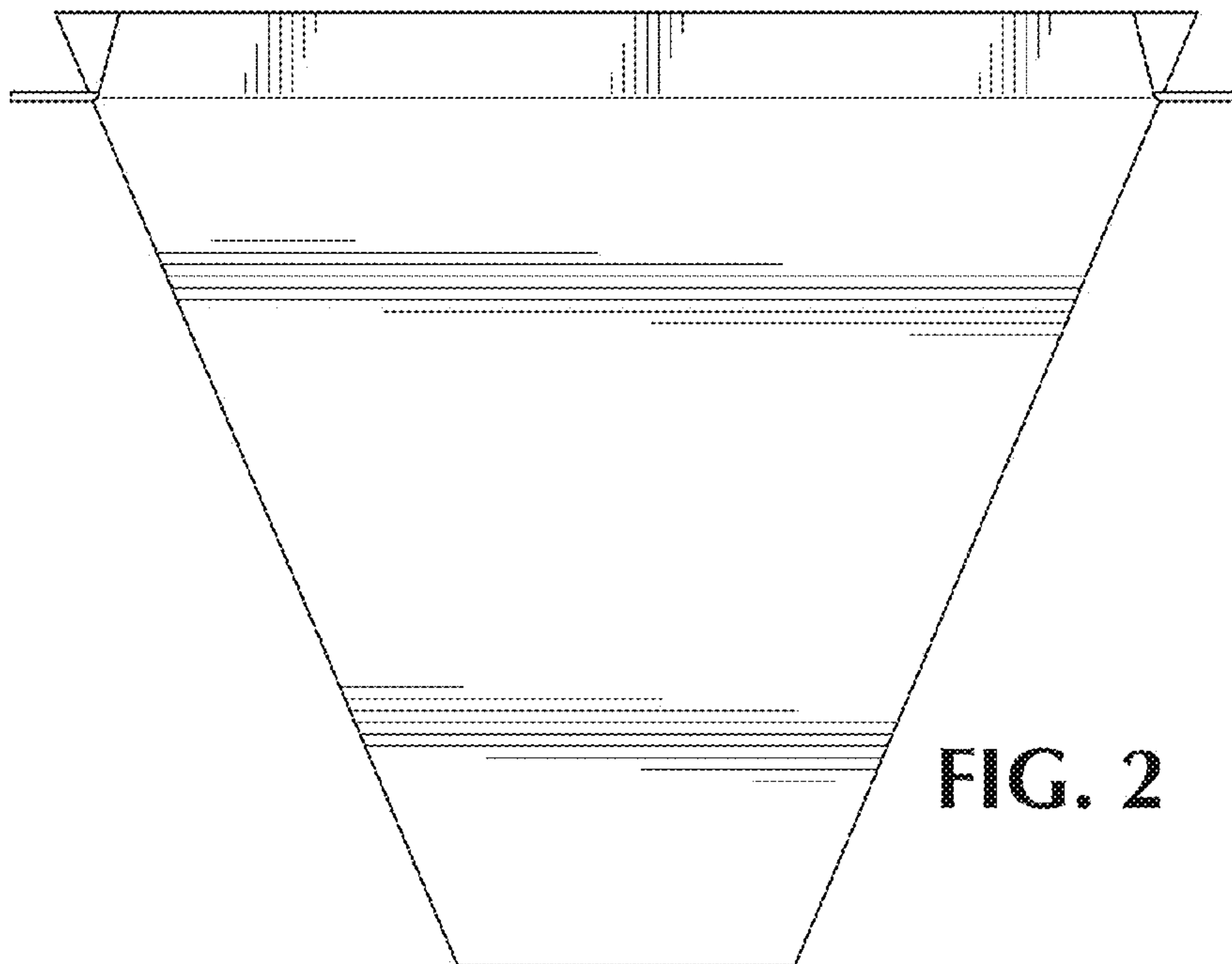


FIG. 2

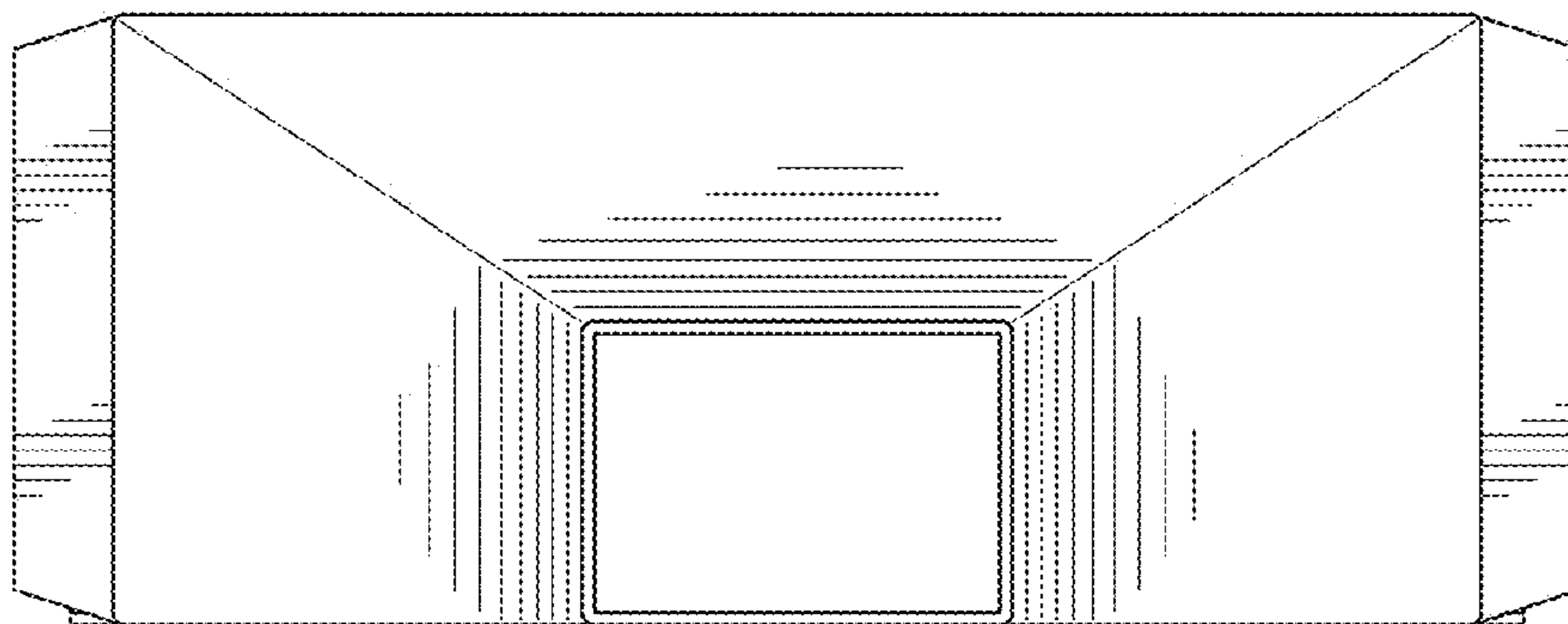


FIG. 4

