

US00D732146S

(12) **United States Design Patent**
Natrrass et al.

(10) **Patent No.:** **US D732,146 S**
(45) **Date of Patent:** **** Jun. 16, 2015**

(54) **DRAINAGE PIT**

(71) Applicant: **RELN PTY LTD**, Ingleburn, NSW (AU)

(72) Inventors: **Luke Nigel Natrrass**, Rhodes (AU);
Owen Edward Luke, Kiama Heights (AU)

(73) Assignee: **Reln Pty Ltd** (AU)

(**) Term: **14 Years**

(21) Appl. No.: **29/460,650**

(22) Filed: **Jul. 12, 2013**

(51) **LOC (10) Cl.** **23-01**

(52) **U.S. Cl.**
USPC **D23/261**

(58) **Field of Classification Search**
USPC D23/259, 260, 261, 262, 263, 264, 265,
D23/267; 4/290, 292; 210/163, 116, 170.3,
210/136, 164; 405/36, 507; 52/12; 137/613
See application file for complete search history.

(56) **References Cited**

U.S. PATENT DOCUMENTS

| | | | | | |
|-----------|------|---------|-------------------|-------|------------|
| 1,522,053 | A * | 1/1925 | Griesemer | | 137/613 |
| D292,934 | S * | 11/1987 | Alberico | | D23/259 |
| 6,170,095 | B1 * | 1/2001 | Zars | | 4/507 |
| 7,303,357 | B2 * | 12/2007 | Villarreal et al. | | 405/36 |
| D583,913 | S * | 12/2008 | Natrrass et al. | | D23/261 |
| 7,651,297 | B2 * | 1/2010 | Villareal et al. | | 405/36 |
| 7,871,109 | B1 * | 1/2011 | McKinnon et al. | | 285/12 |
| 7,875,172 | B2 * | 1/2011 | Giammaria | | 210/136 |
| 8,012,346 | B2 * | 9/2011 | Peters et al. | | 210/170.03 |

| | | | | | |
|--------------|------|---------|--------------|-------|---------|
| 8,137,541 | B2 * | 3/2012 | Zook | | 210/116 |
| D673,250 | S * | 12/2012 | Luke et al. | | D23/267 |
| D682,400 | S * | 5/2013 | Luke et al. | | D23/267 |
| 2010/0180505 | A1 * | 7/2010 | Sordo et al. | | 49/70 |
| 2013/0199978 | A1 * | 8/2013 | Luke | | 210/163 |

OTHER PUBLICATIONS

Surf Gate, American Storm Water, americanstormwater.com,
Searched Aug. 18, 2014, http://www.americanstormwater.com/Storm_Water_Products/surf_gate.html.*

* cited by examiner

Primary Examiner — Eric Goodman

Assistant Examiner — Steven Czyz

(74) *Attorney, Agent, or Firm* — Barnes & Thornburg LLP

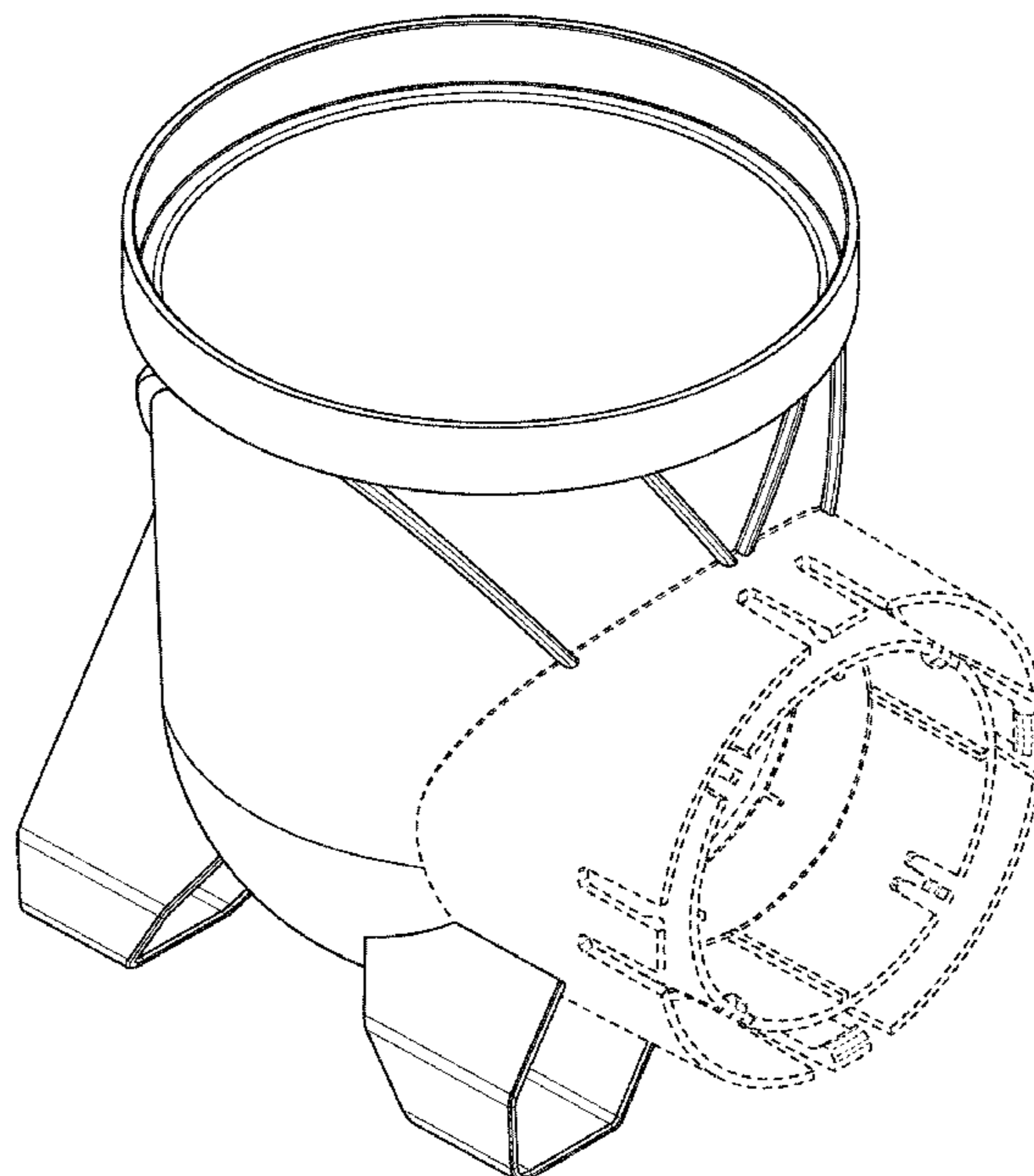
(57) **CLAIM**

The ornamental design for a drainage pit, as shown and described.

DESCRIPTION

FIG. 1 is a front perspective view of one form of drainage pit according to our invention,
FIG. 2 is rear perspective view thereof, from above,
FIG. 3 is a rear perspective view thereof, from below,
FIG. 4 is a front elevational view thereof,
FIG. 5 is a rear elevational view thereof,
FIG. 6 is a side elevational view thereof, taken from the right side of FIG. 1,
FIG. 7 is a side elevational view thereof, taken from the left side of FIG. 1,
FIG. 8 is a top plan view thereof,
FIG. 9 is a bottom plan view thereof; and,
FIG. 10 is a cross sectional illustration, taken along lines 10-10 of FIG. 8.

1 Claim, 10 Drawing Sheets



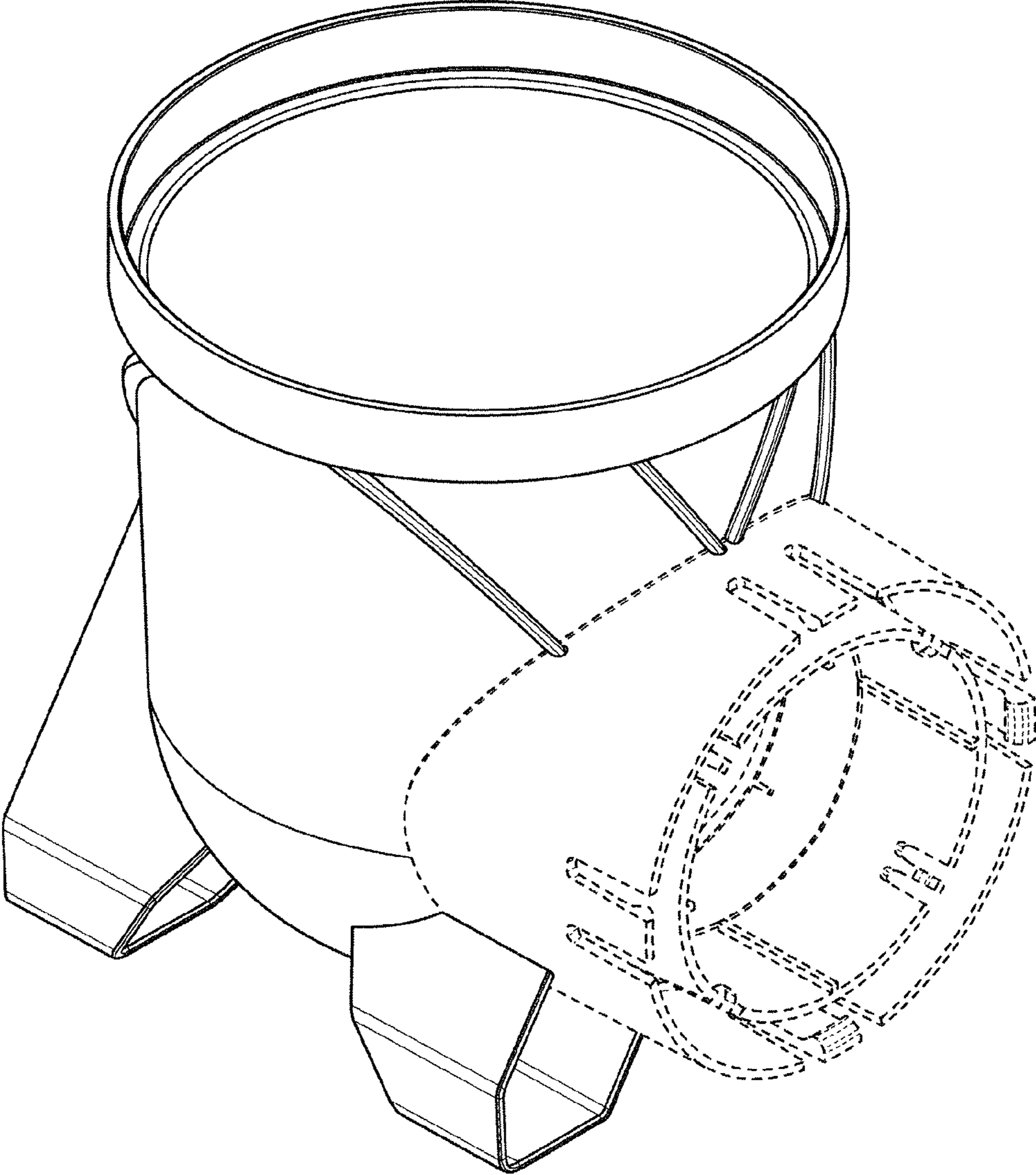


FIG. 1

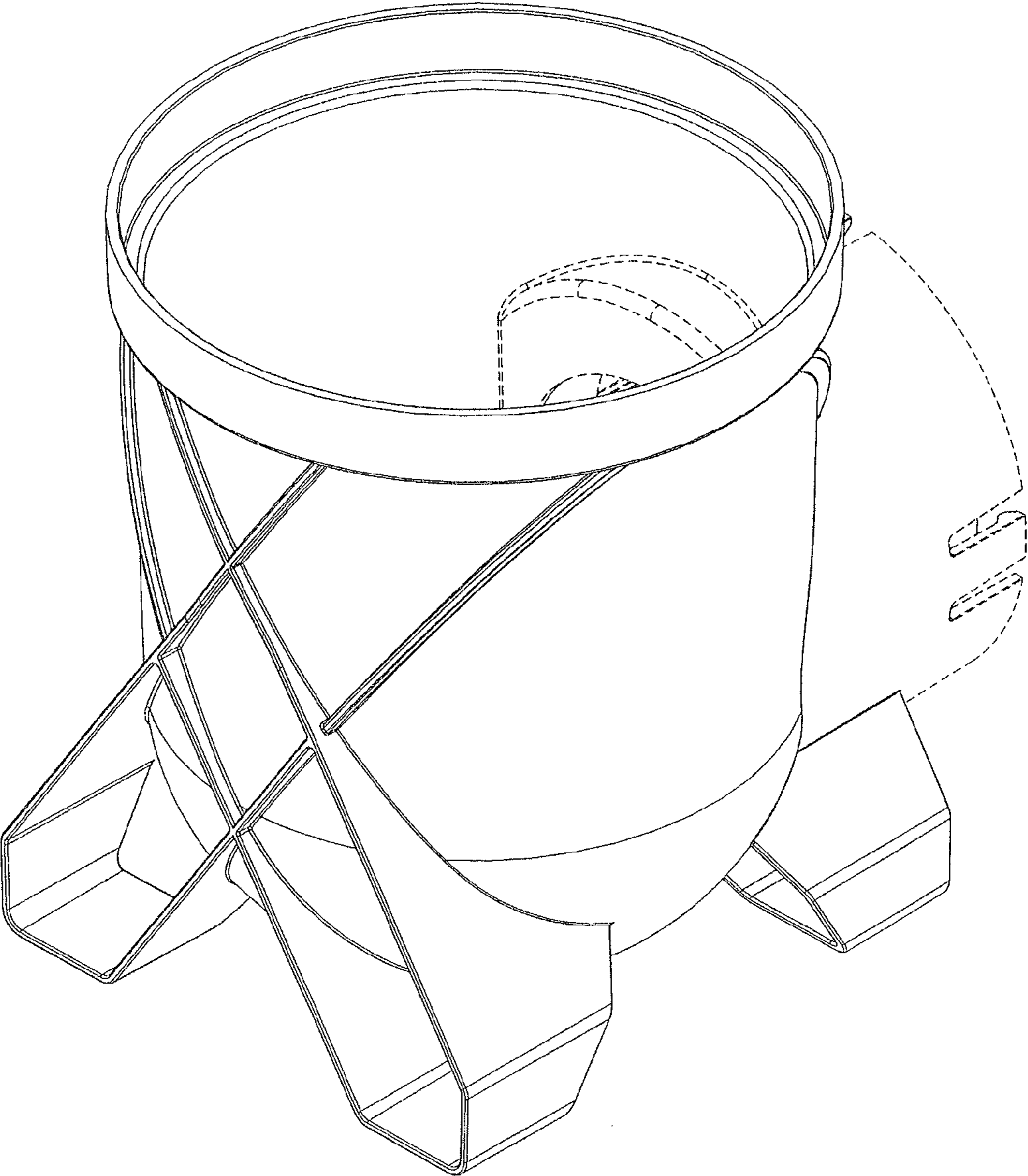


FIG 2

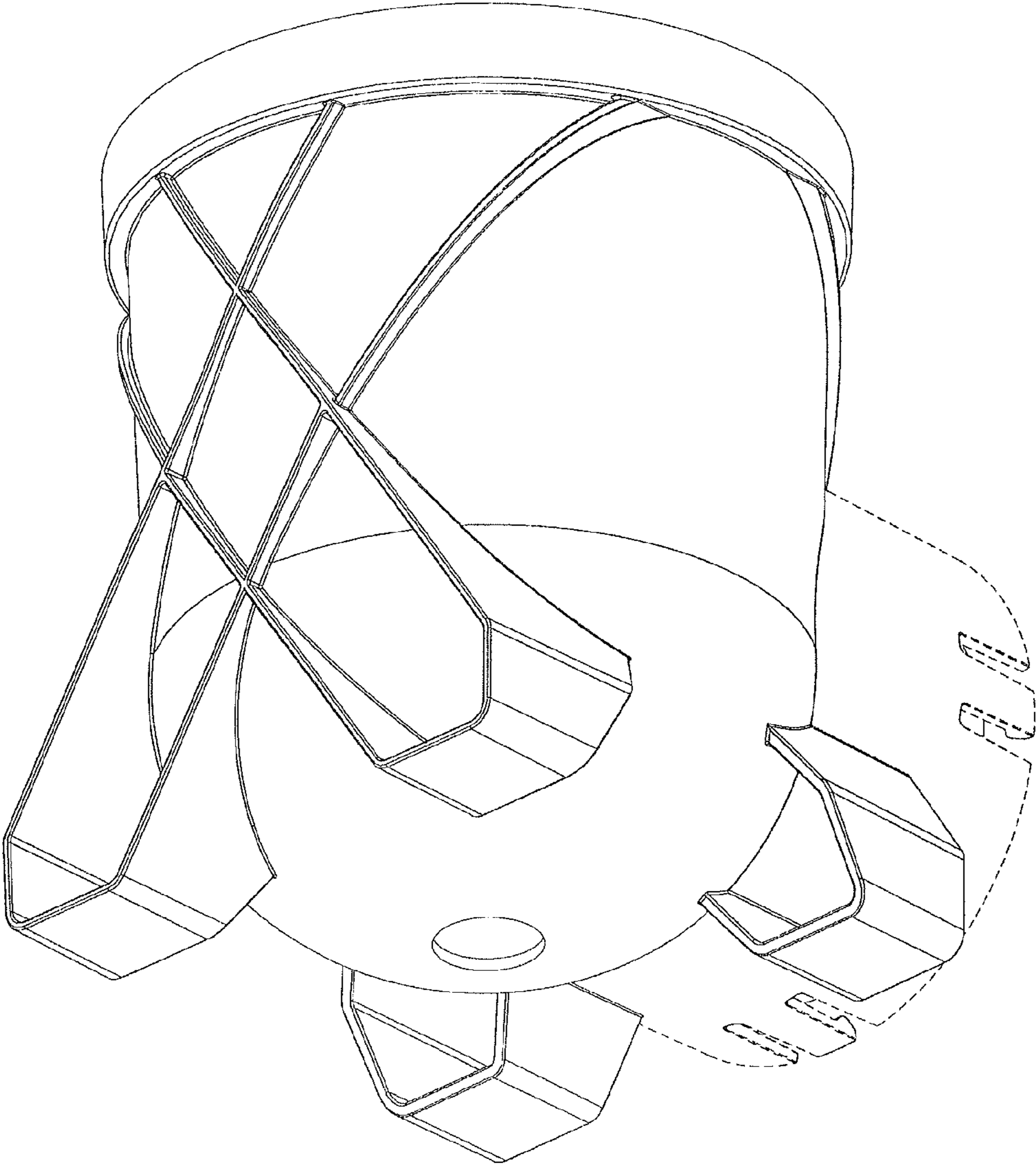


FIG 3

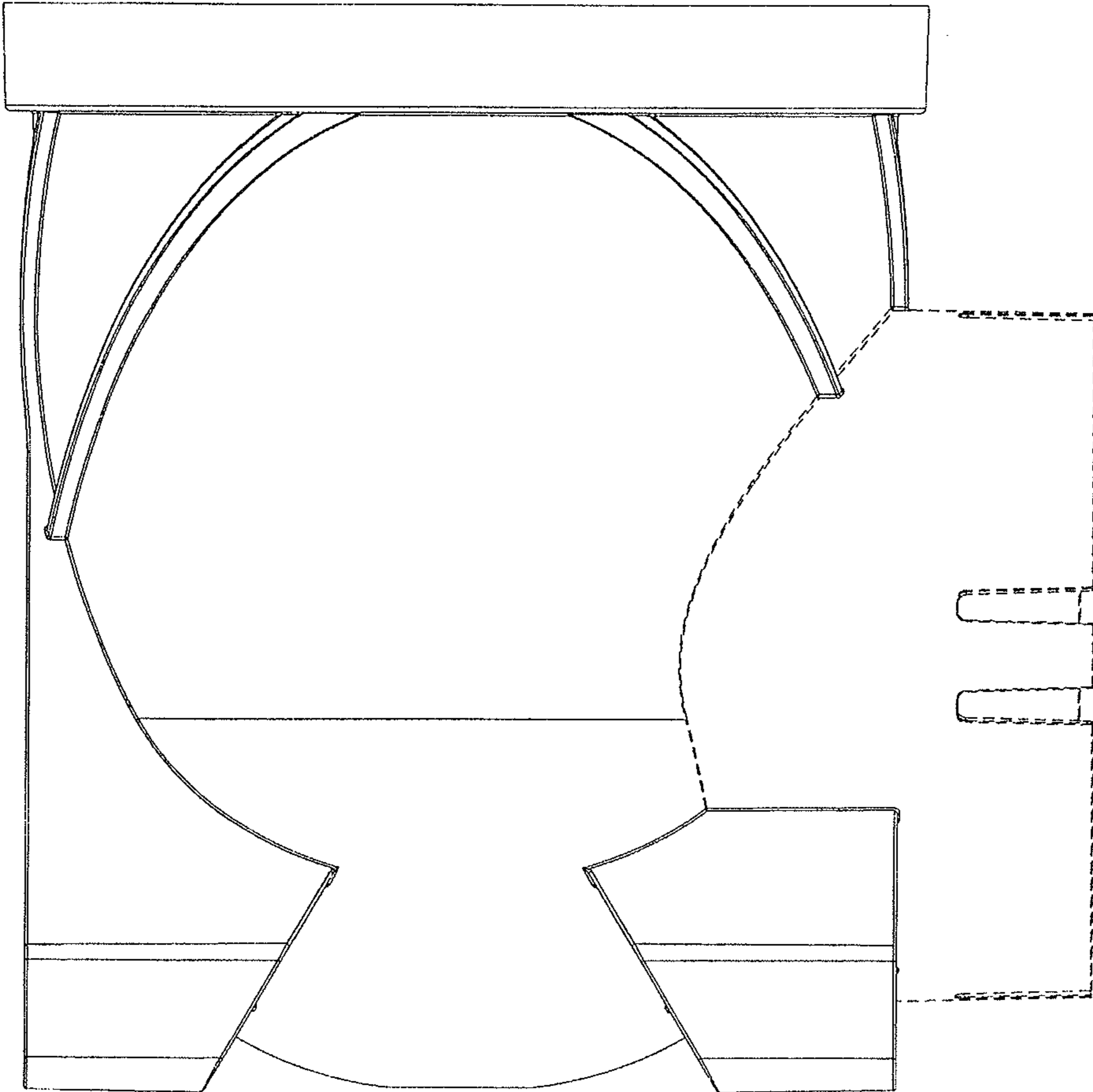


FIG 4

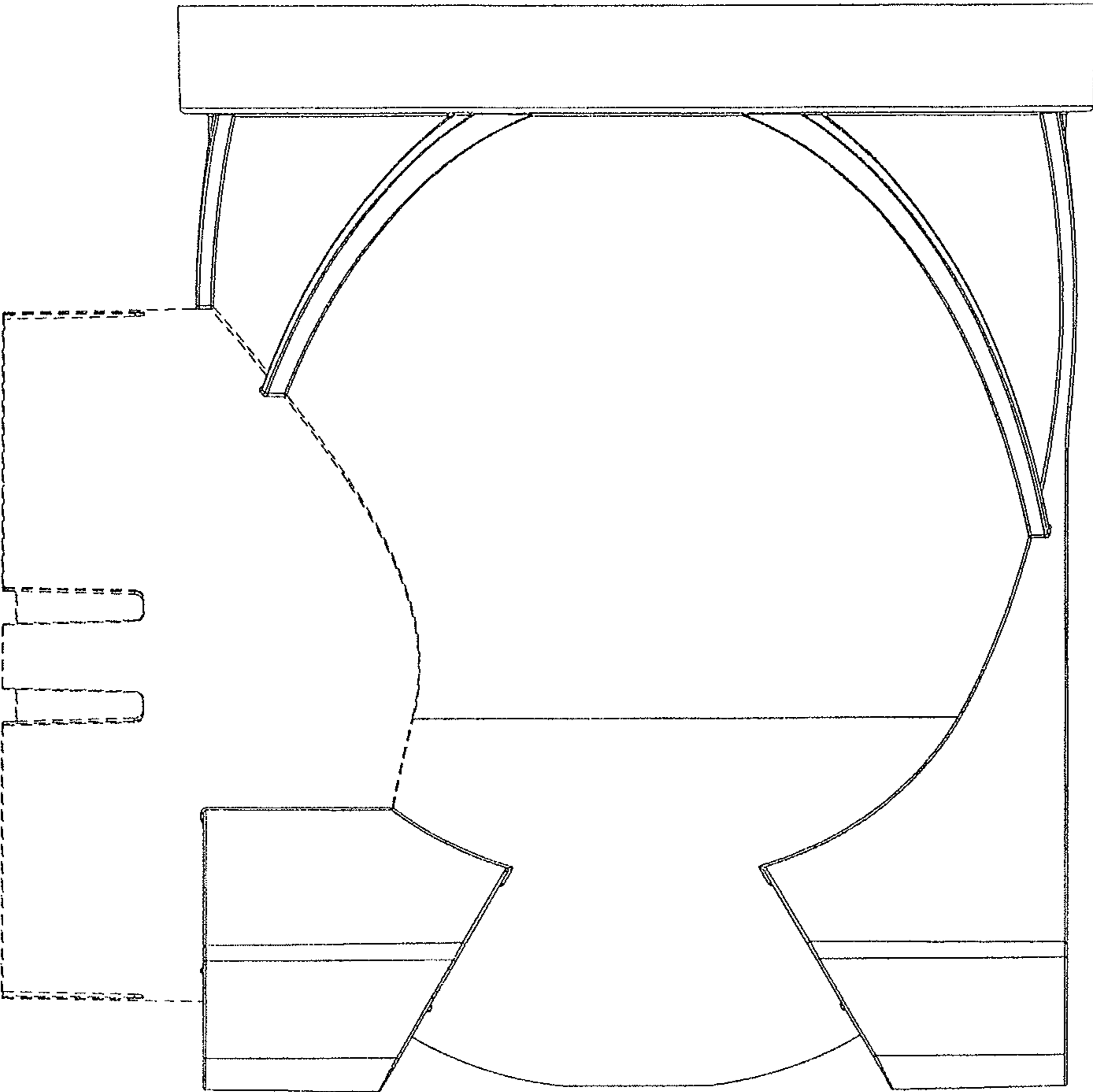


FIG 5

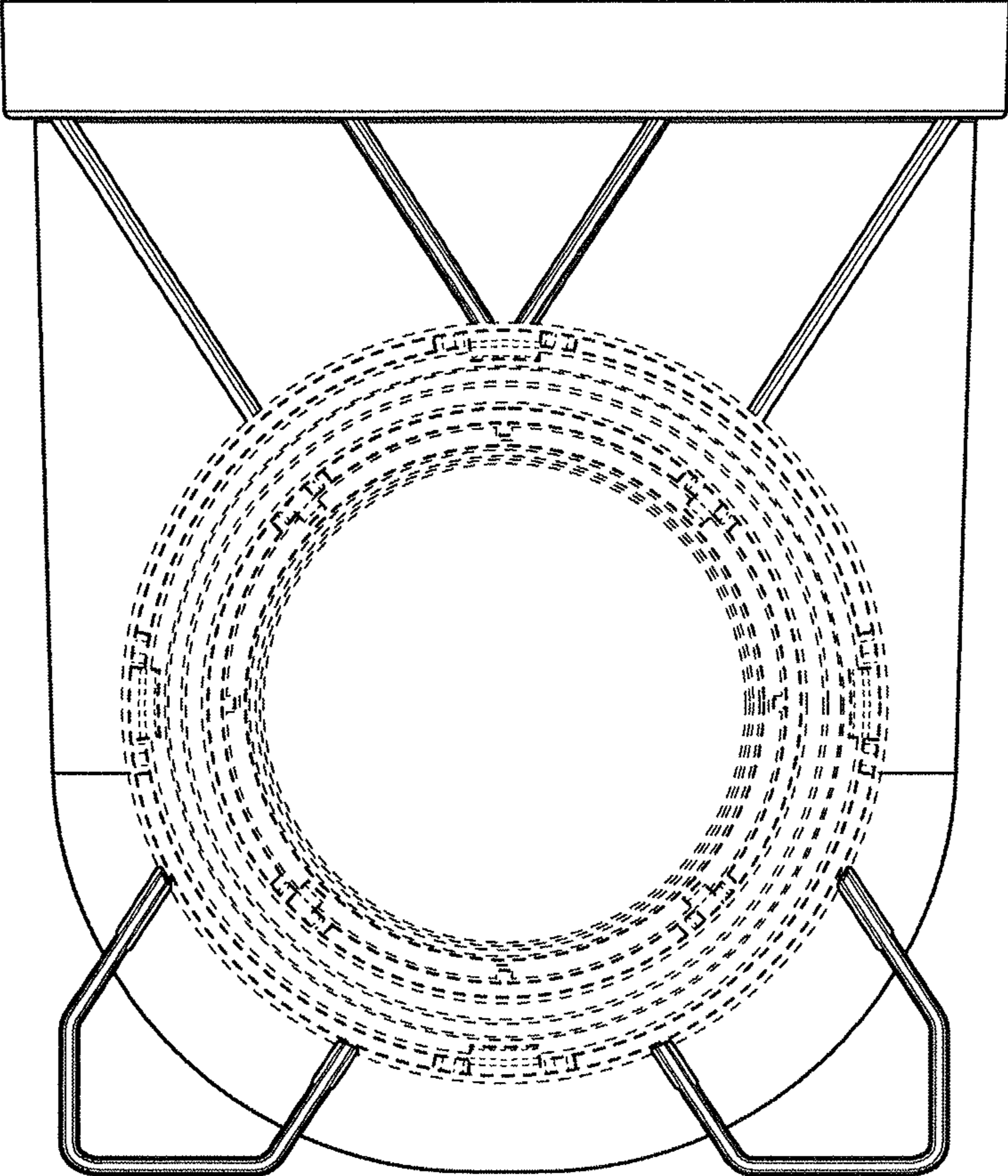


FIG. 6

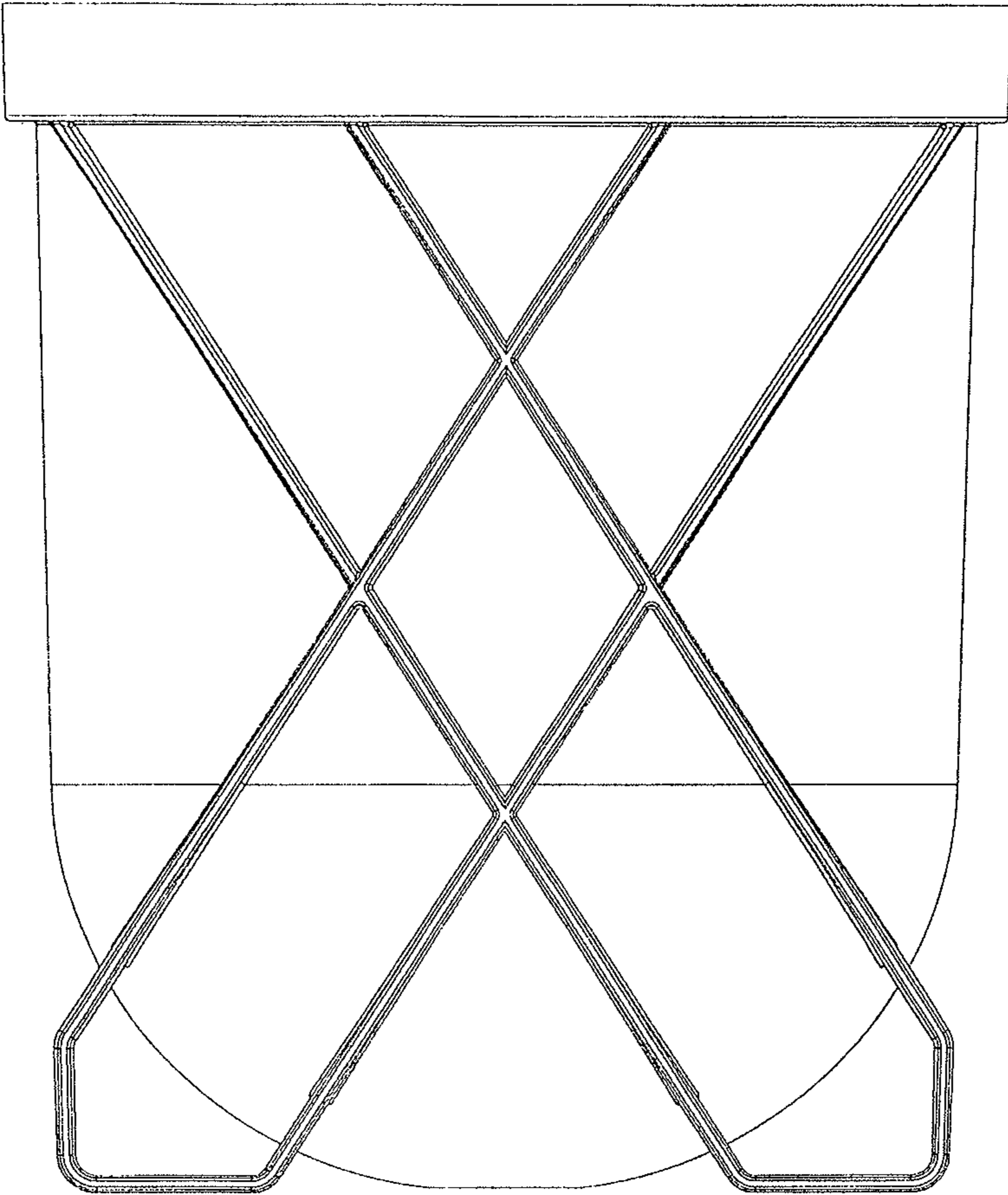


FIG 7

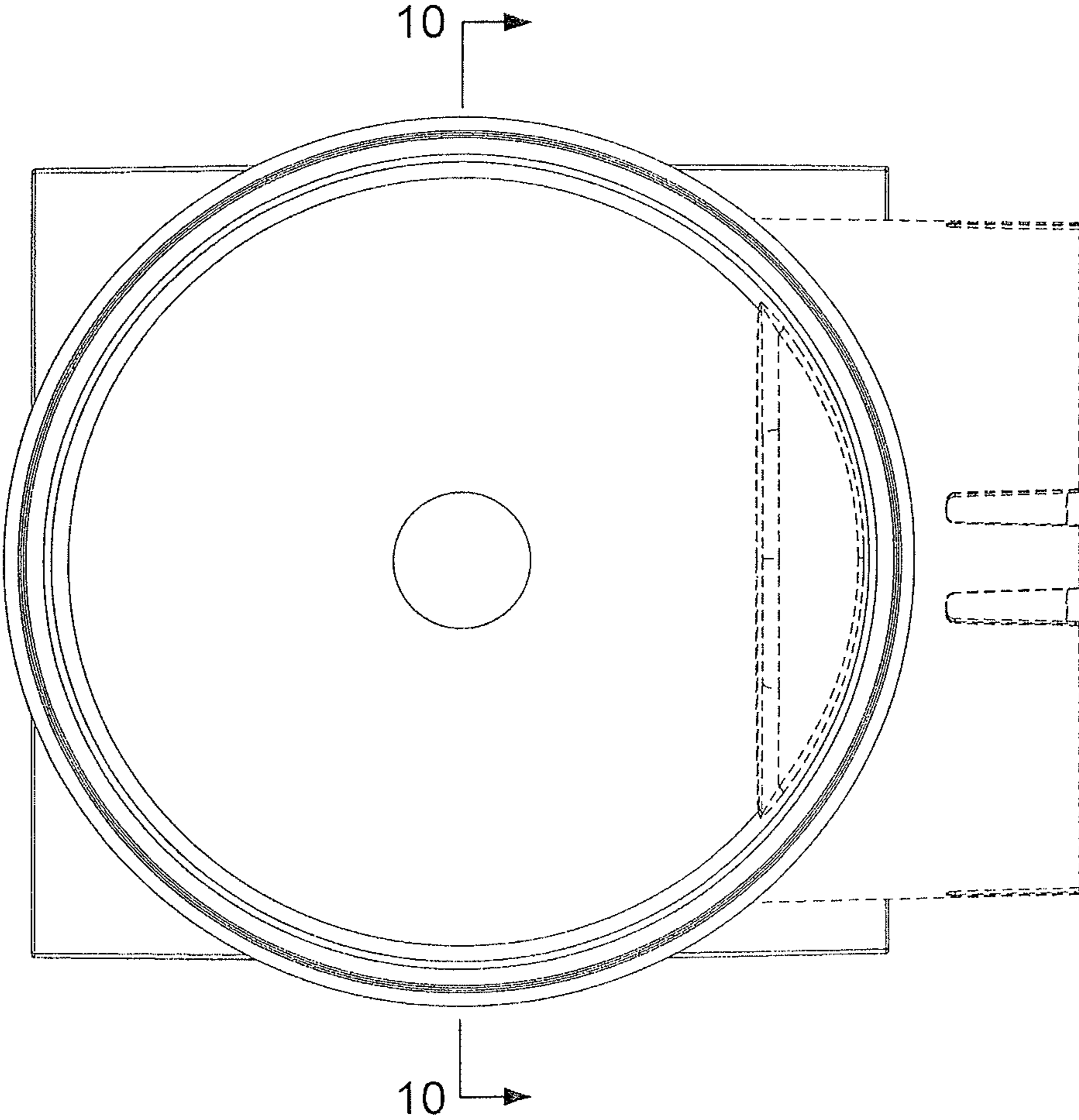


FIG 8

Replacement Sheet

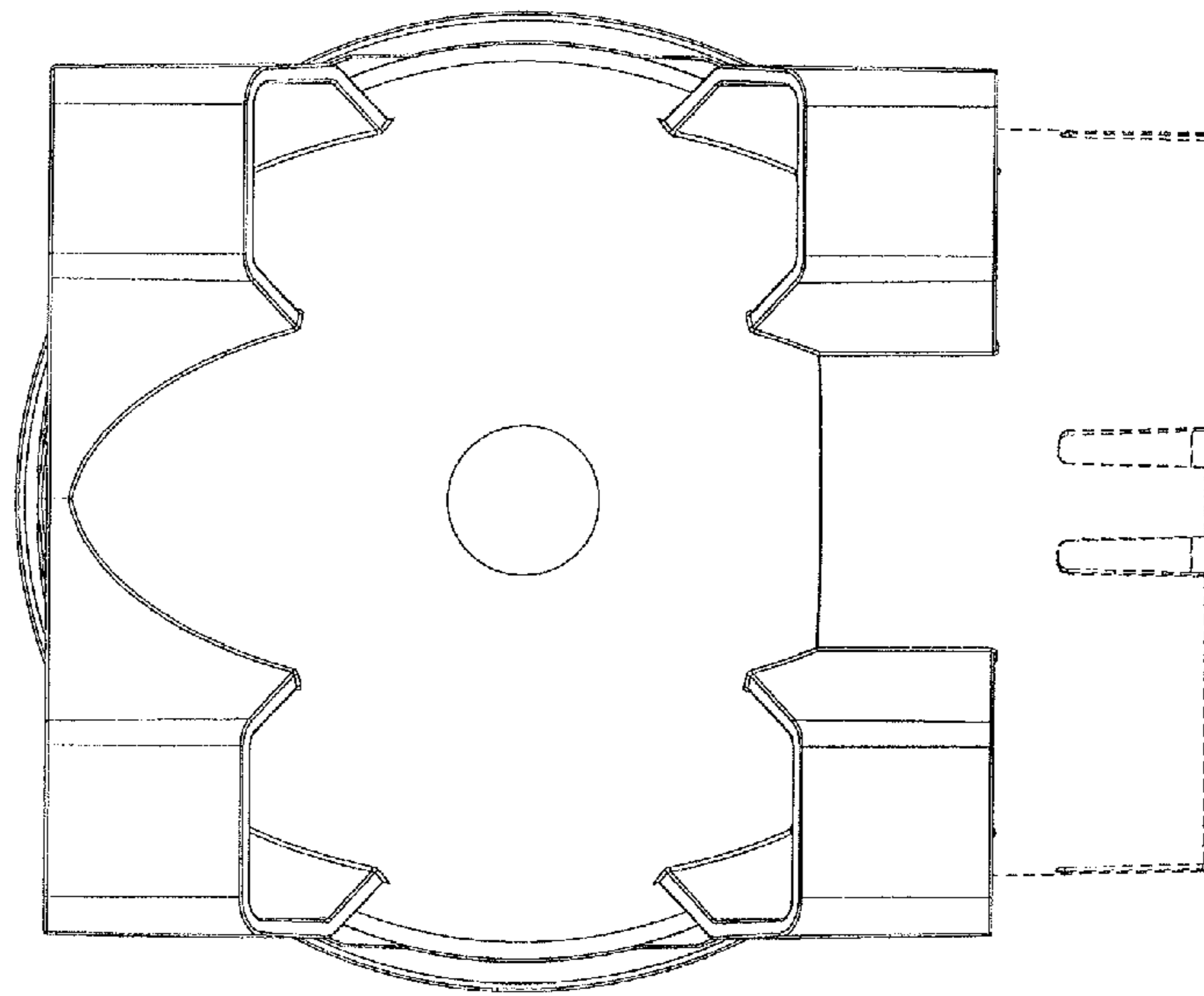


FIG 9

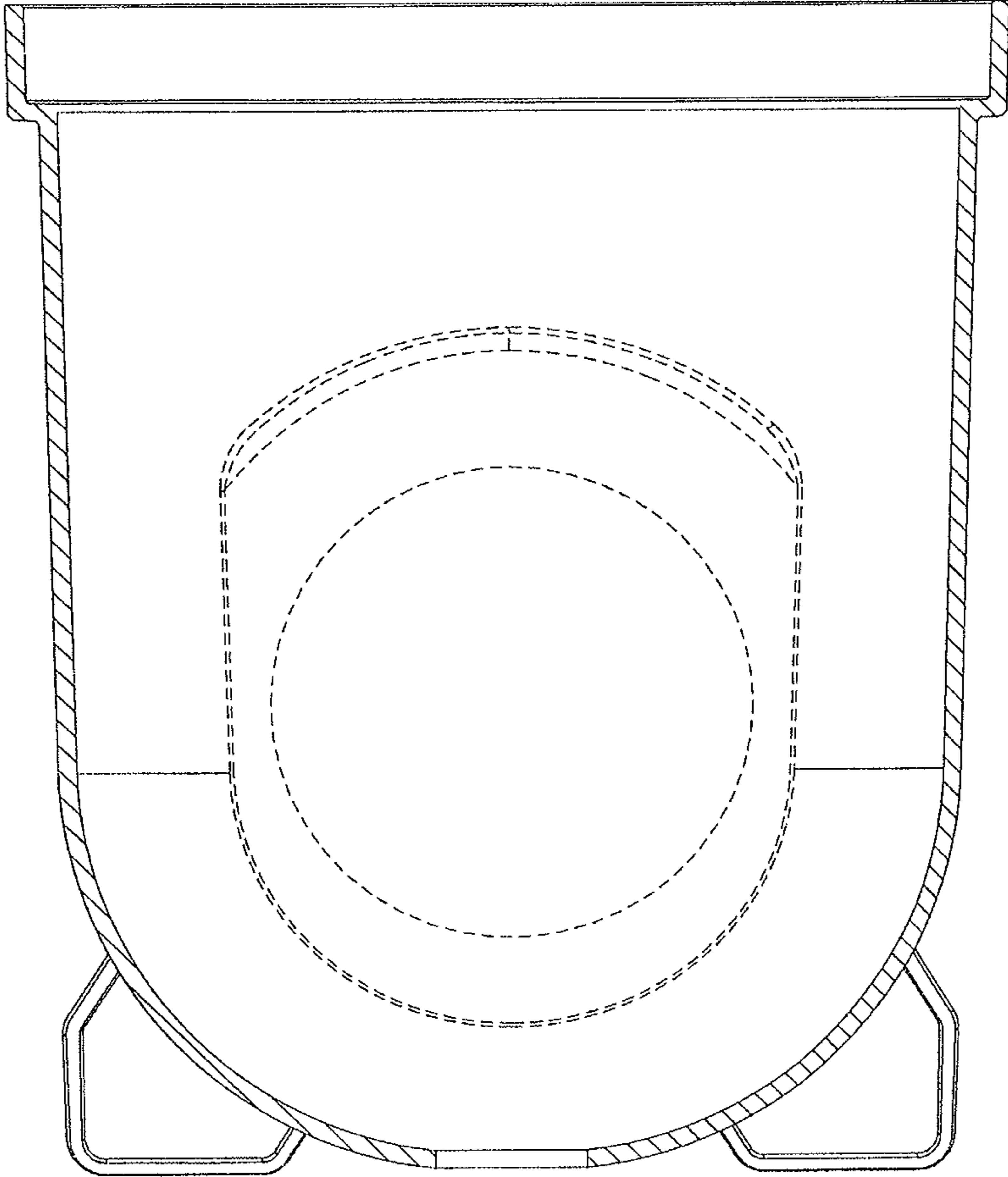


FIG 10