



US00D732142S

(12) **United States Design Patent**
Robinson

(10) **Patent No.:** **US D732,142 S**
(45) **Date of Patent:** **** Jun. 16, 2015**

(54) **COOLING NOZZLE**

(71) Applicant: **Michael Robinson**, Powell, TN (US)

(72) Inventor: **Michael Robinson**, Powell, TN (US)

(**) Term: **14 Years**

(21) Appl. No.: **29/493,911**

(22) Filed: **Jun. 15, 2014**

Related U.S. Application Data

(63) Continuation of application No. 29/429,717, filed on Aug. 15, 2012, now Pat. No. Des. 709,987.

(51) **LOC (10) Cl.** **23-01**

(52) **U.S. Cl.**
USPC **D23/214**

(58) **Field of Classification Search**
USPC D23/213, 214; 169/37, 38, 39
See application file for complete search history.

(56) **References Cited**

U.S. PATENT DOCUMENTS

5,632,341 A * 5/1997 Allen 169/52
D449,370 S * 10/2001 Palestrant D23/213

6,315,219 B1 * 11/2001 Palestrant 239/550
D500,838 S * 1/2005 Pavlik D23/213
6,962,208 B2 * 11/2005 Franson et al. 169/37
7,578,454 B2 * 8/2009 Joo 239/488
7,841,419 B2 * 11/2010 Manthey et al. 169/44
D709,987 S * 7/2014 Robinson D23/213

* cited by examiner

Primary Examiner — Robin V Webster

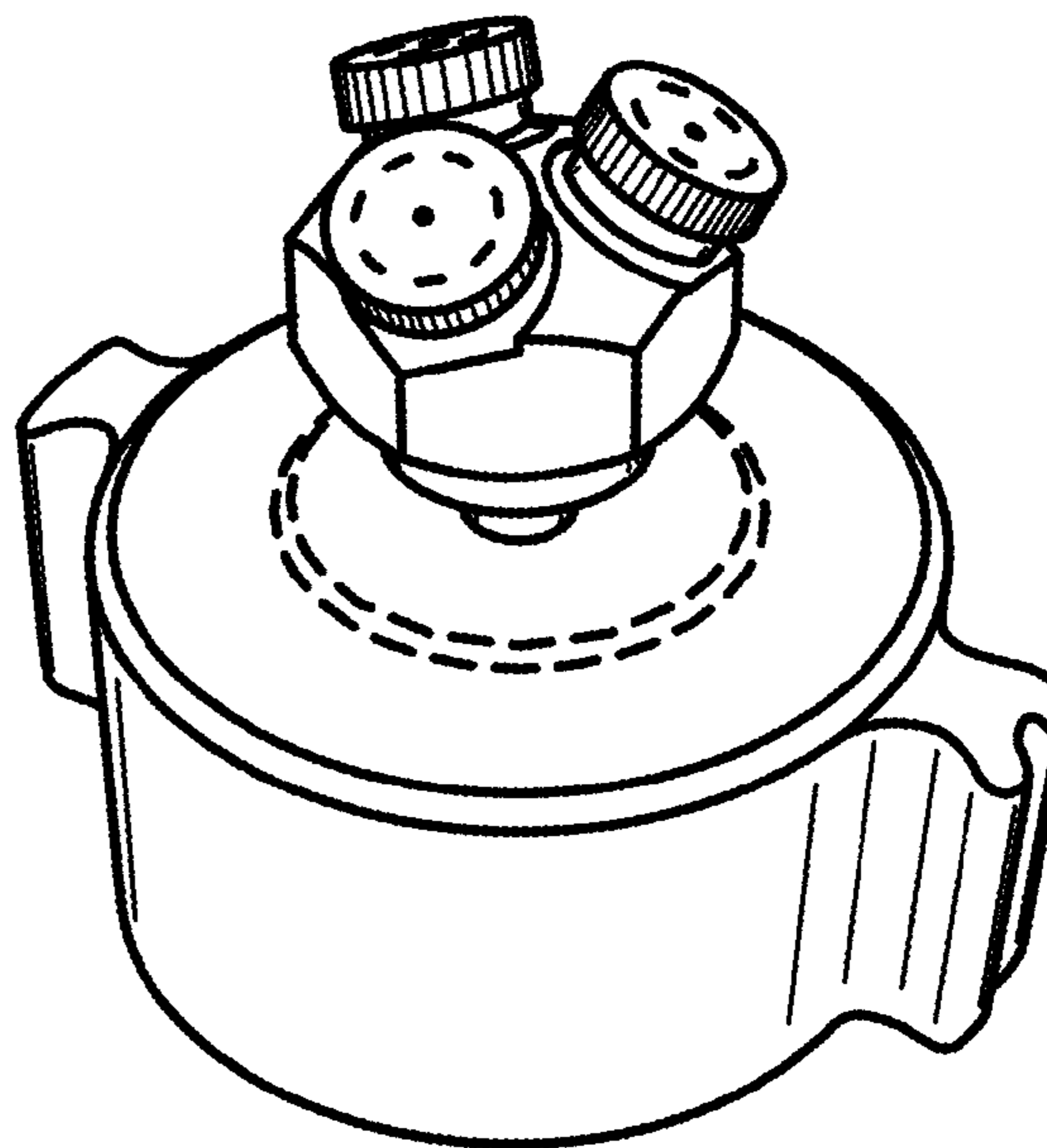
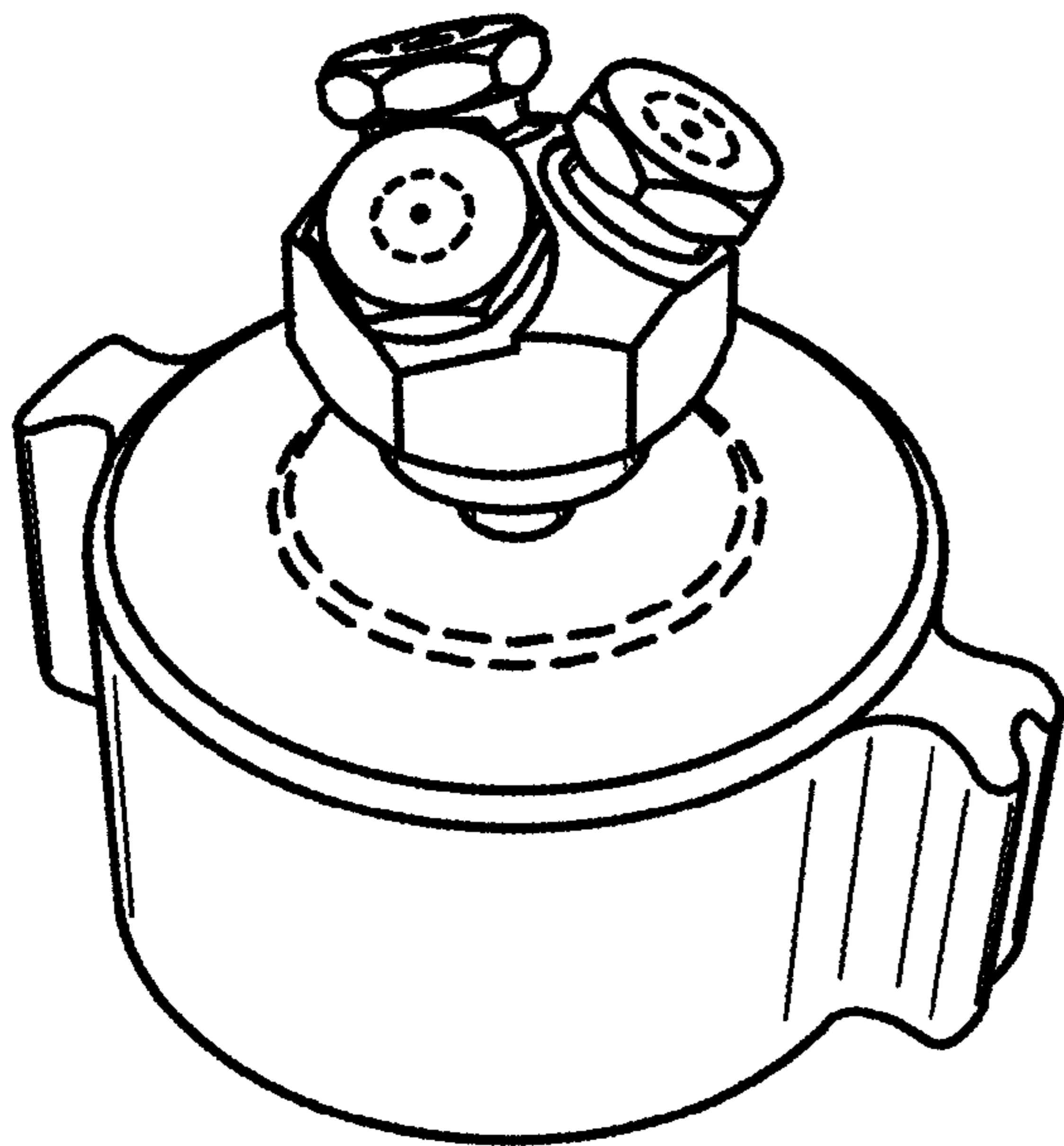
(57) **CLAIM**

The ornamental design for a cooling nozzle, as shown and described.

DESCRIPTION

FIG. 1 is a top perspective view of the nozzle;
FIG. 2 is a top perspective view of an alternative embodiment of the nozzle of FIG. 1;
FIG. 3 is a side view of the nozzle of FIG. 1;
FIG. 4 is a top view of the nozzle of FIG. 1; and,
FIG. 5 is a bottom view of the nozzle of FIG. 1.
The broken line showing is included for the purpose of illustrating and forms no part of the claimed design.

1 Claim, 2 Drawing Sheets



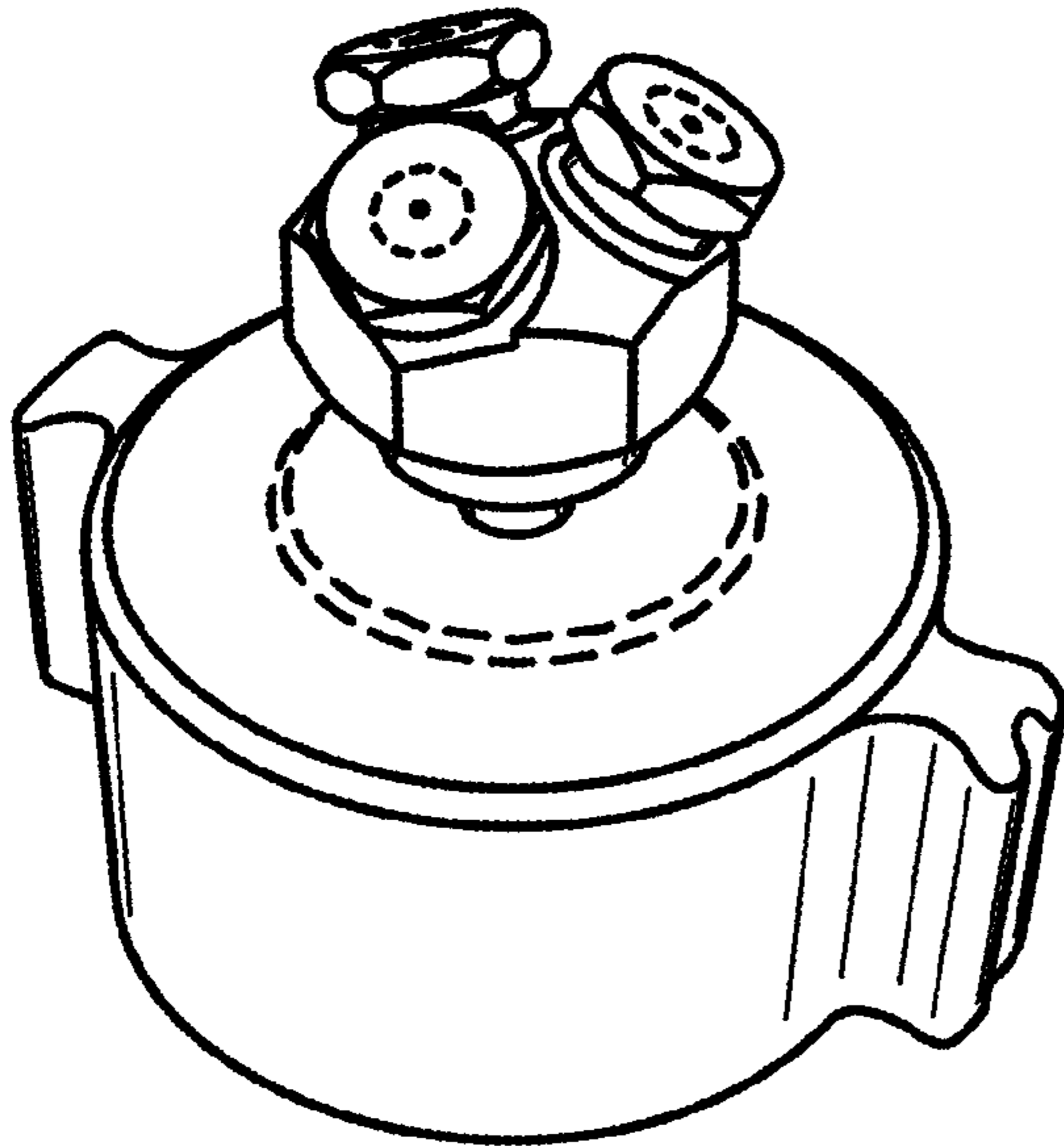


Fig. 1

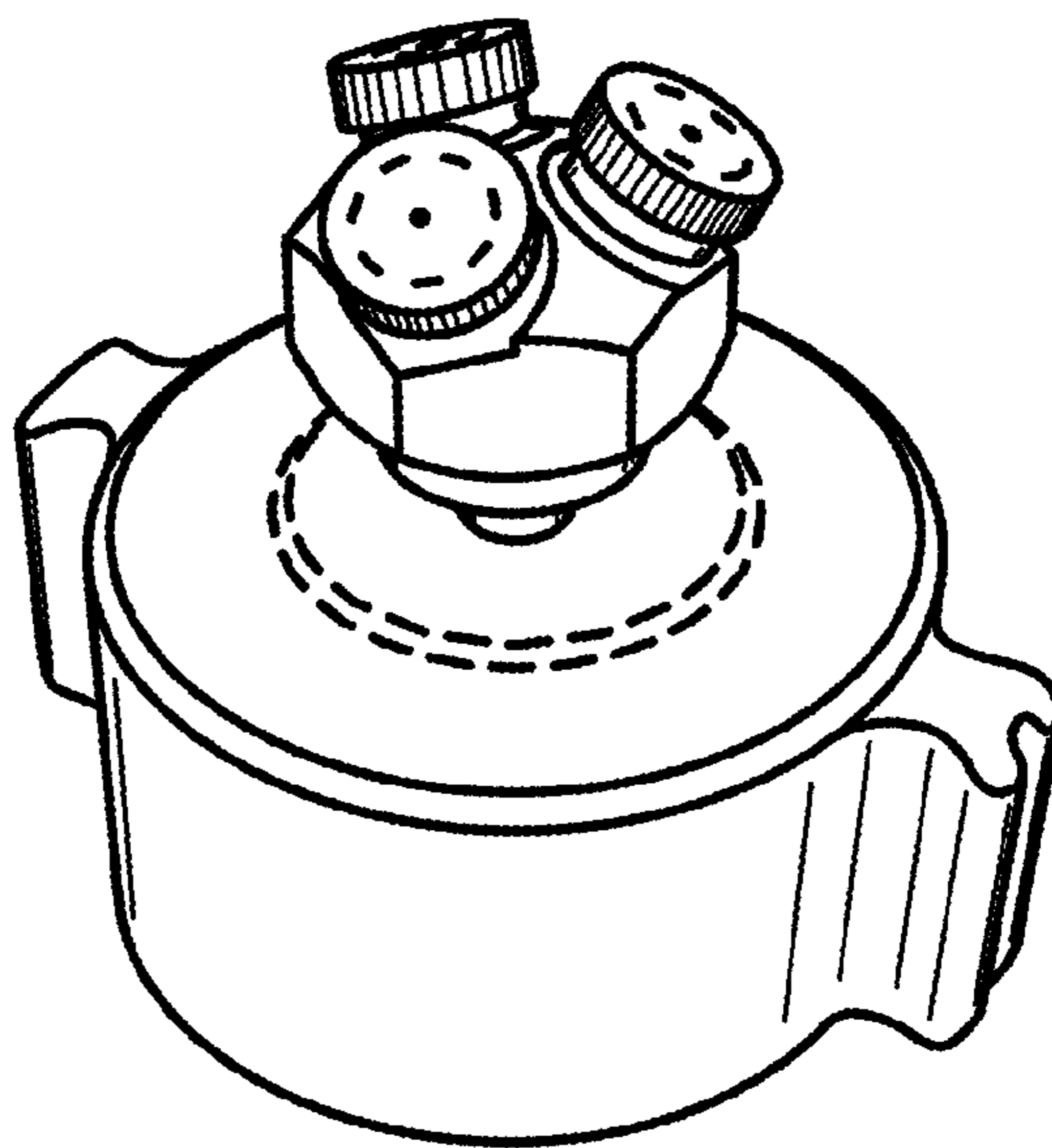


Fig. 2

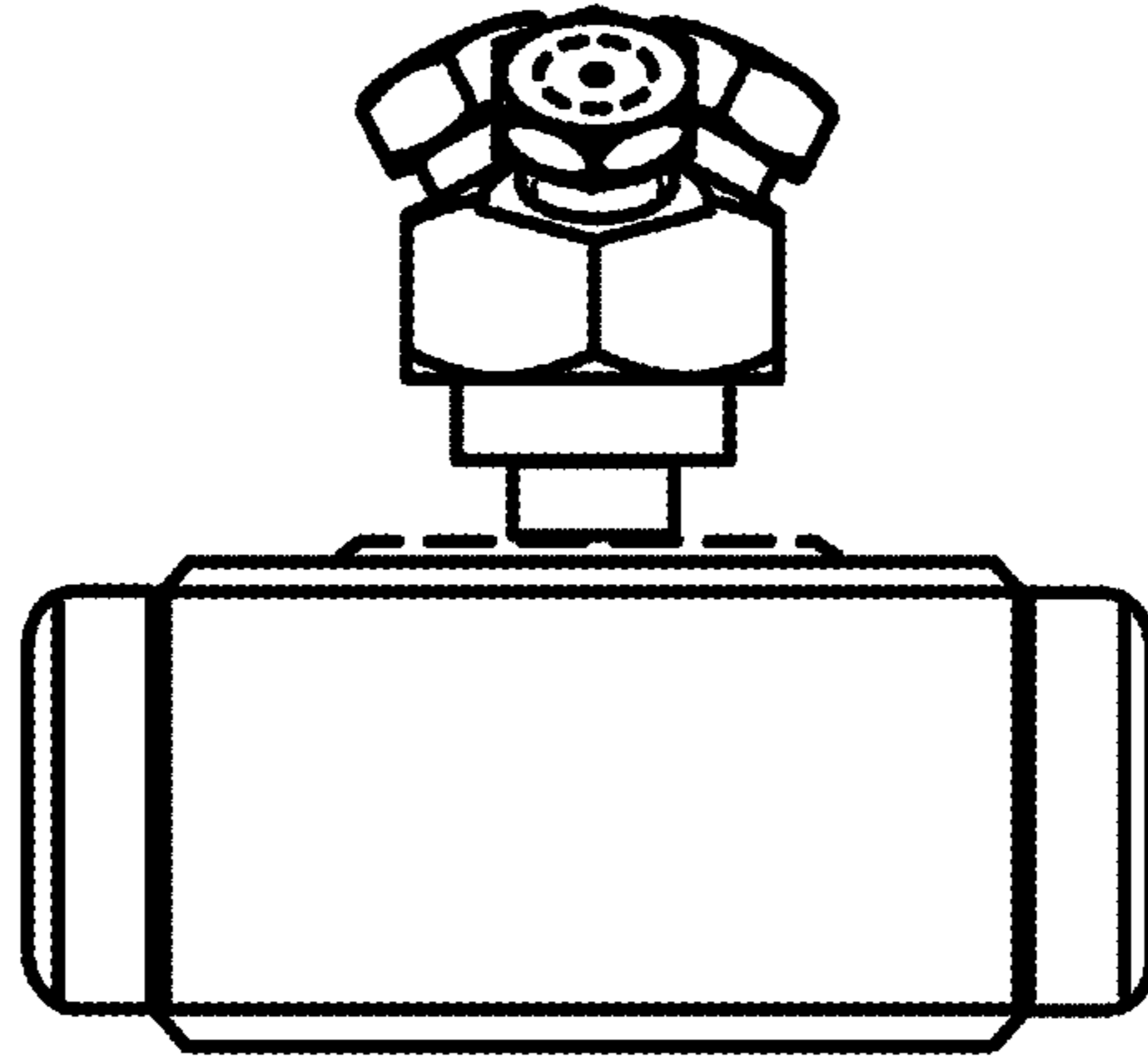


Fig. 3

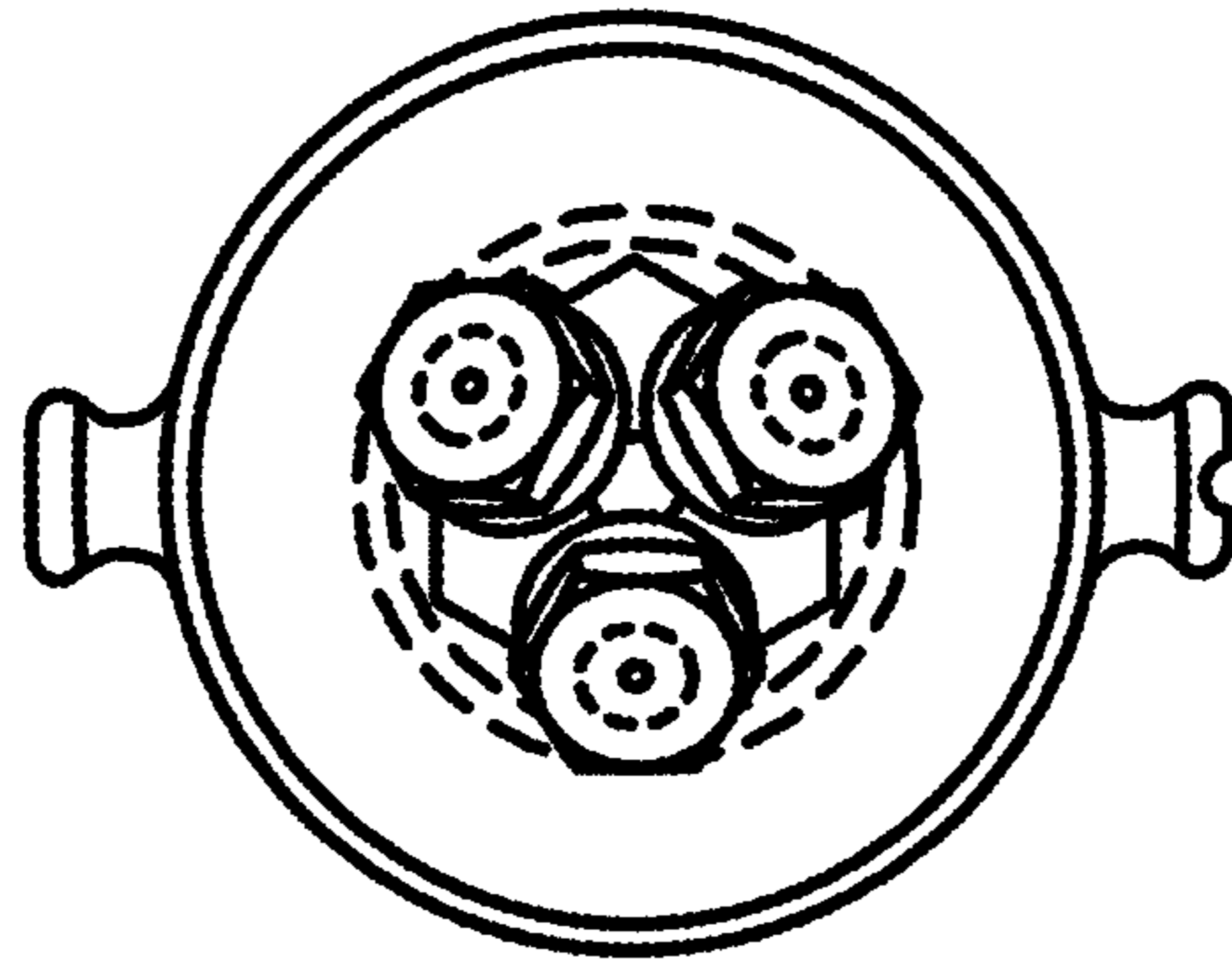


Fig. 4

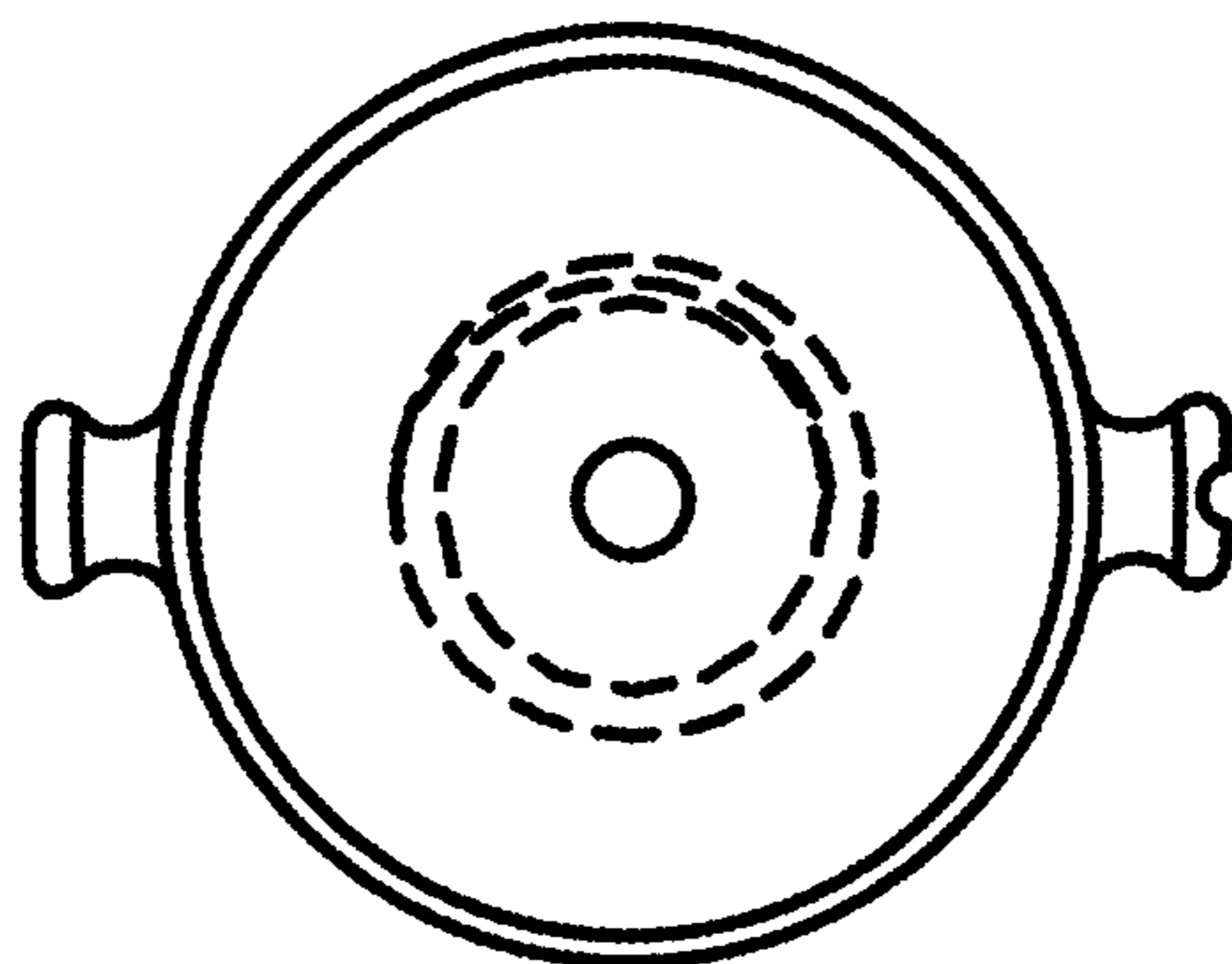


Fig. 5