



US00D732141S

(12) **United States Design Patent**  
**Salas**

(10) **Patent No.:** **US D732,141 S**  
(45) **Date of Patent:** **\*\* Jun. 16, 2015**

(54) **MANIFOLD SPRAYER**

D645,936 S \* 9/2011 Shepherd ..... D23/213  
D668,742 S \* 10/2012 English ..... D23/213  
D687,925 S \* 8/2013 Gill ..... D23/213

(71) Applicant: **David Juan Salas**, Tacoma, WA (US)

\* cited by examiner

(72) Inventor: **David Juan Salas**, Tacoma, WA (US)

*Primary Examiner* — Robin V Webster

(\*\*) Term: **14 Years**

(21) Appl. No.: **29/489,324**

(57) **CLAIM**

The ornamental design for a manifold sprayer, as shown and described.

(22) Filed: **Apr. 29, 2014**

(51) **LOC (10) Cl.** ..... **23-01**

(52) **U.S. Cl.**

USPC ..... **D23/214**

(58) **Field of Classification Search**

USPC ..... D23/213, 214, 201; 239/548, 550, 556,  
239/566

See application file for complete search history.

**DESCRIPTION**

FIG. 1 is a perspective front view of a manifold sprayer, shown in operation in a container while connected to a water delivery system;

FIG. 2 is a front elevation view of the manifold sprayer, rear elevation view is an identical image thereof;

FIG. 3 is a left side elevation view of the manifold sprayer, right side elevation view is an identical image thereof;

FIG. 4 is a top plan view of the manifold sprayer; and,

FIG. 5 is a bottom plan view of the manifold sprayer.

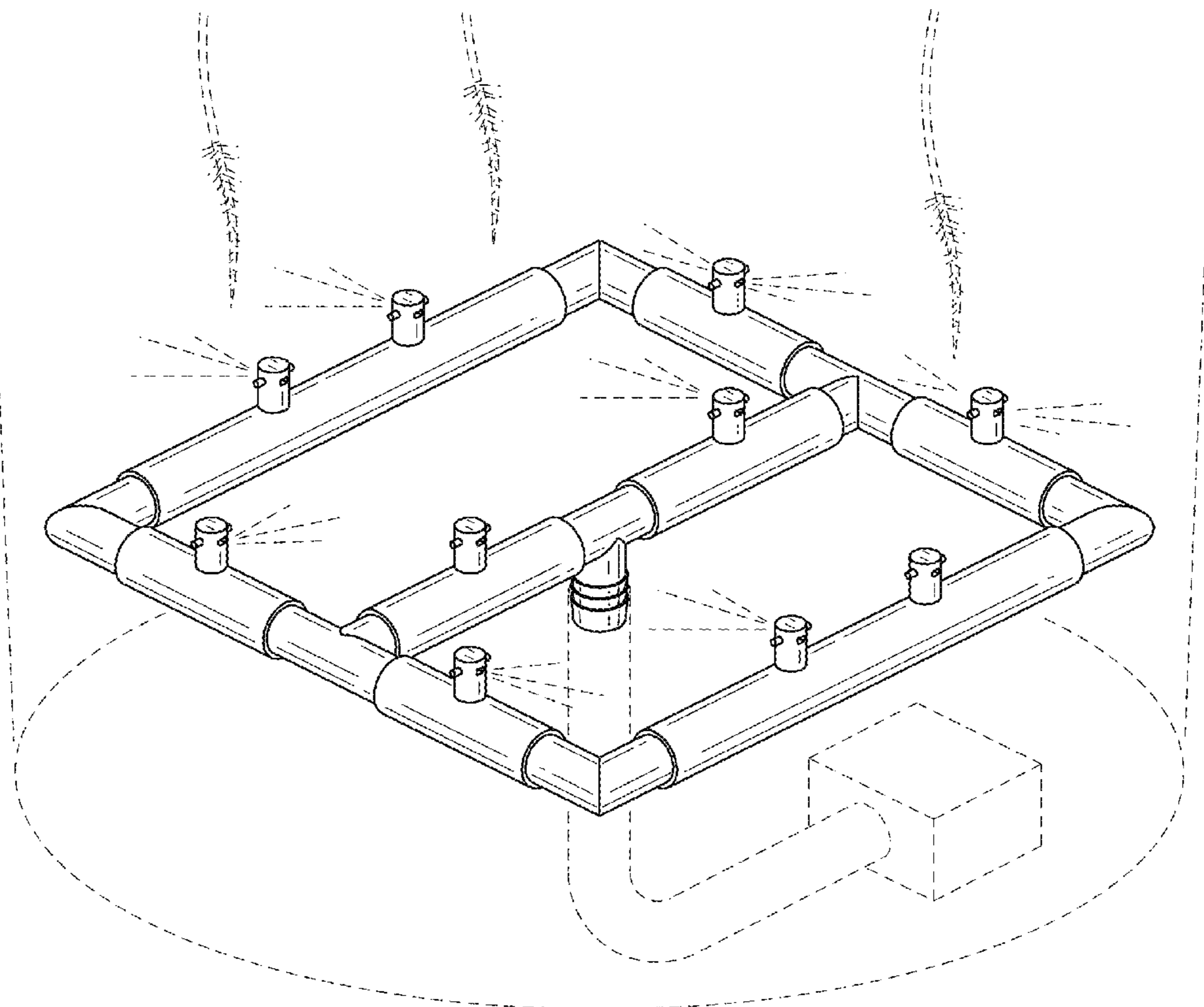
The container, water delivery system, spraying and plant clippings are shown in broken lines for illustrative purposes only and form no part of the claimed design.

(56) **References Cited**

**U.S. PATENT DOCUMENTS**

D232,089 S \* 7/1974 Margrill ..... D23/214  
D241,542 S \* 9/1976 Thurston ..... D23/214  
D302,458 S \* 7/1989 Locklair, Jr. .... D23/221  
5,065,944 A \* 11/1991 D'Amato ..... 239/550  
6,877,673 B2 \* 4/2005 Foster ..... 239/17

**1 Claim, 3 Drawing Sheets**



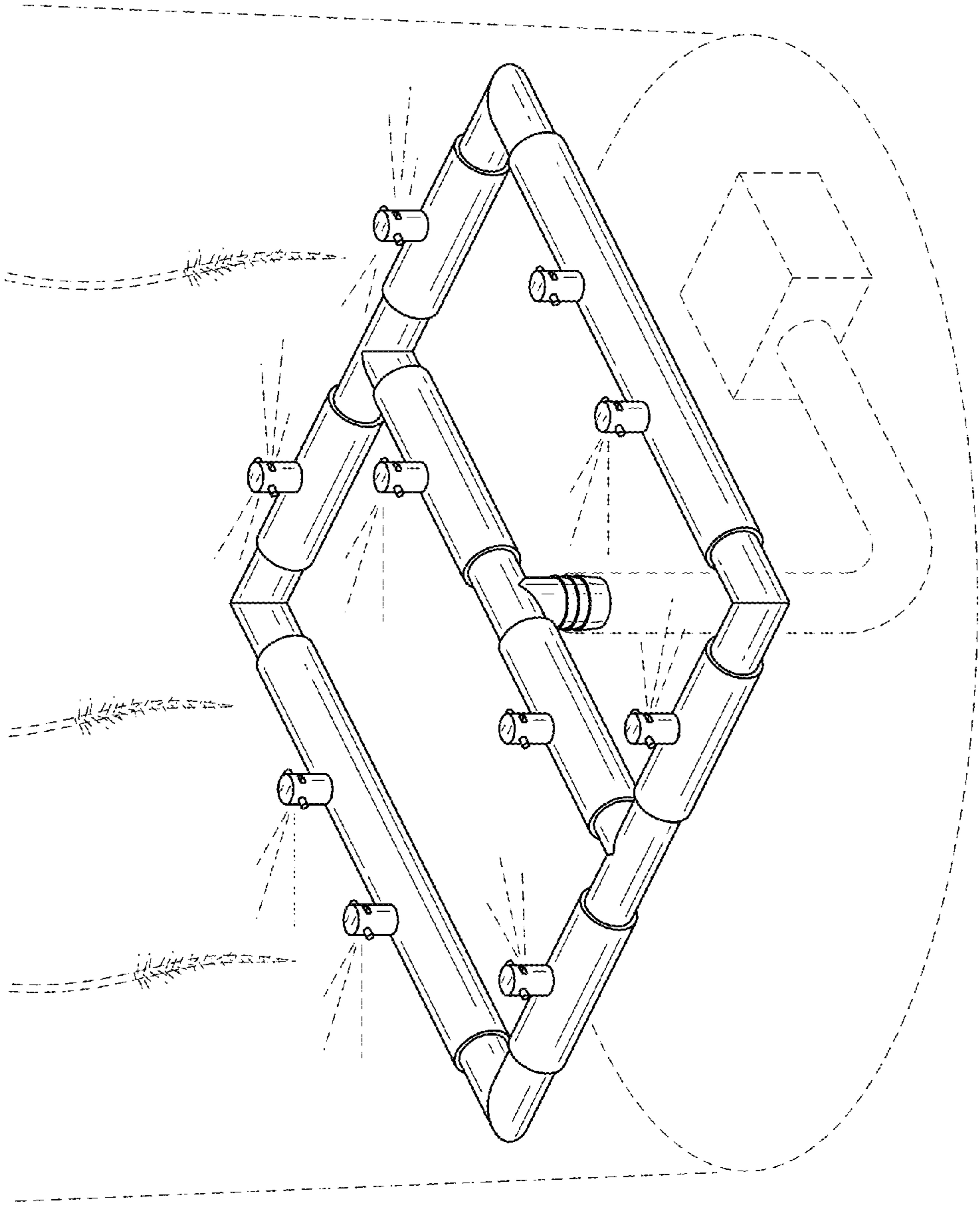


FIG. 1

FIG. 2

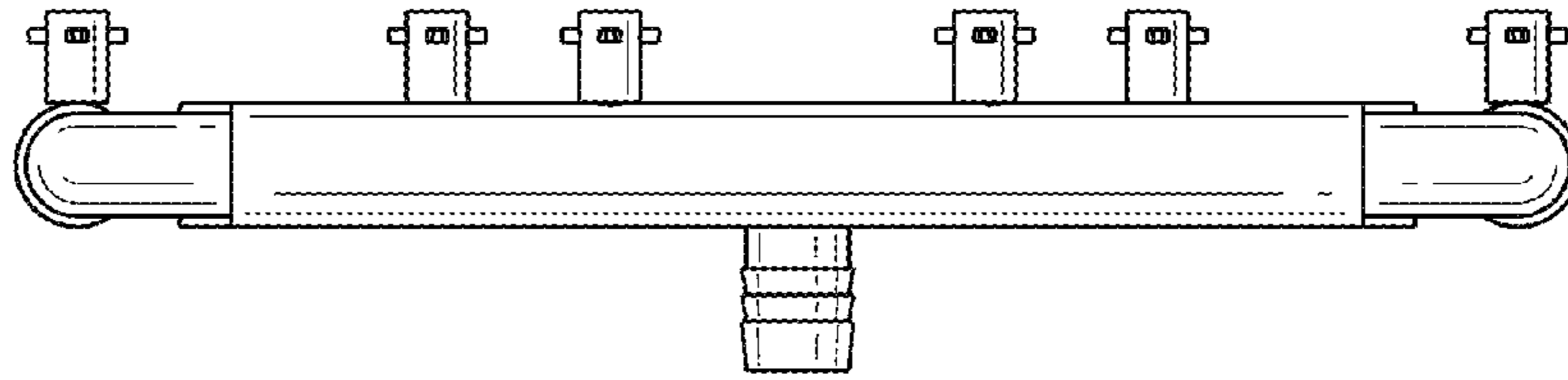


FIG. 3

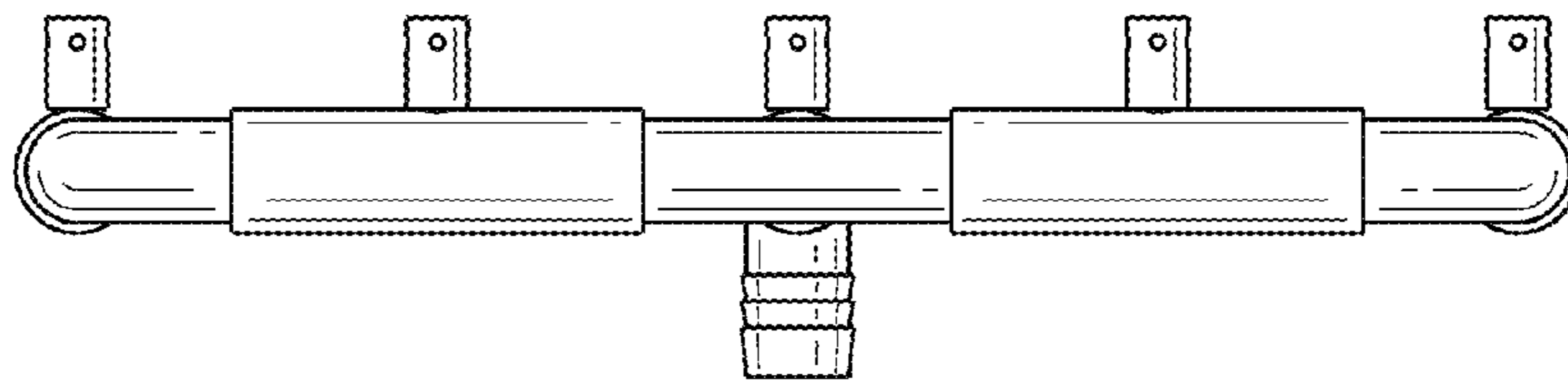
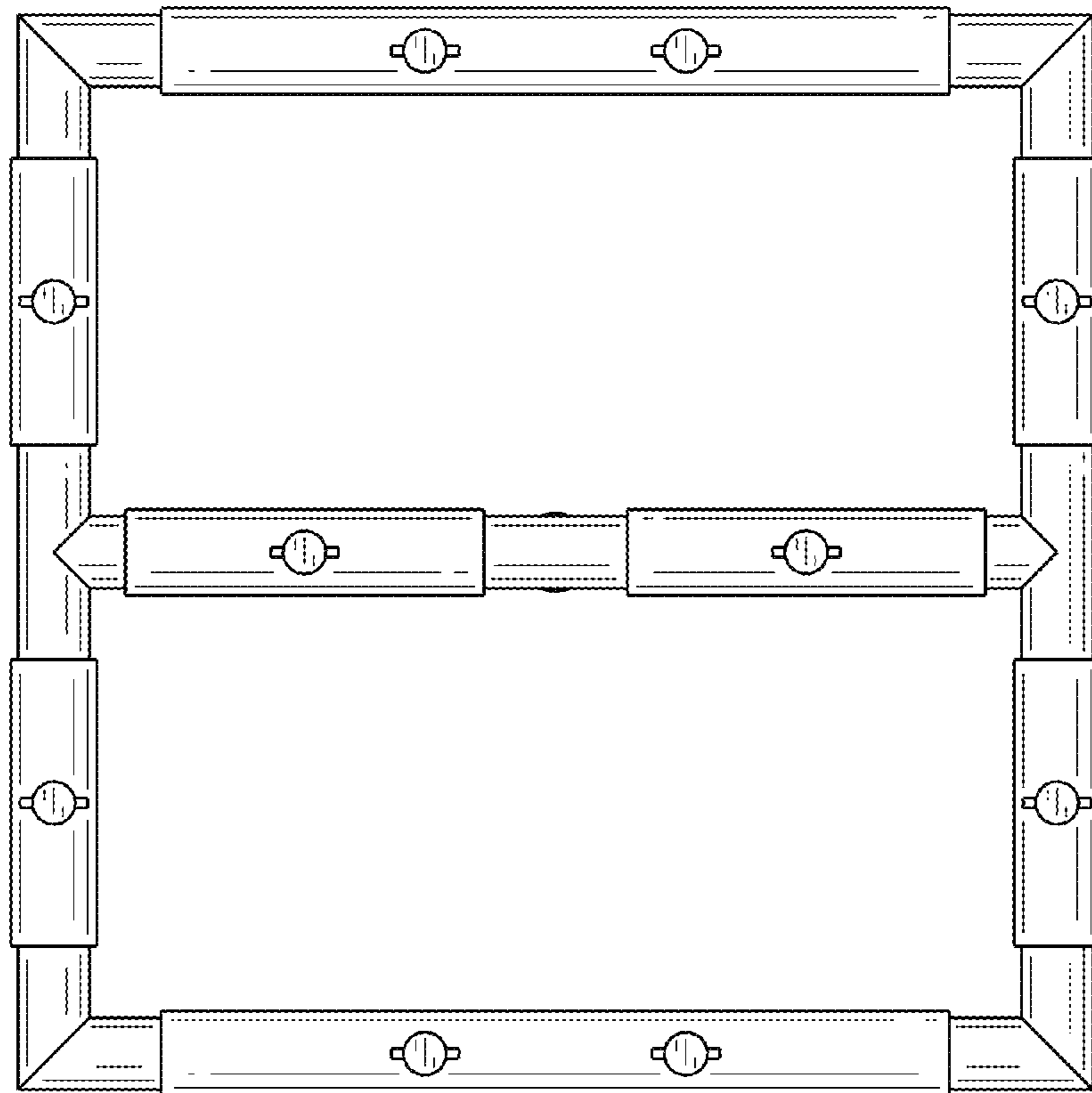


FIG. 4



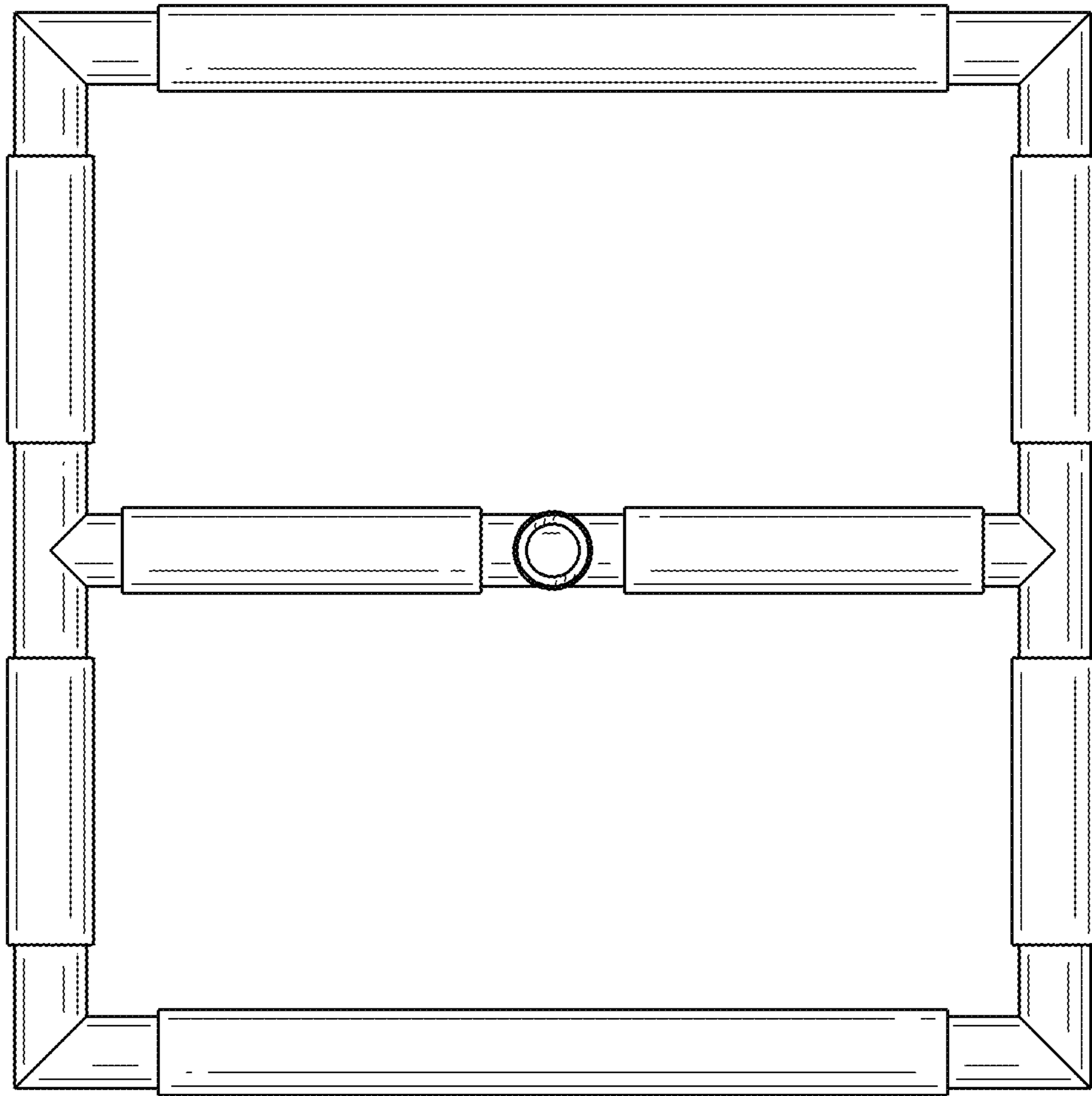


FIG. 5