

US00D732140S

(12) **United States Design Patent**  
**Tempel**

(10) **Patent No.:** **US D732,140 S**  
(45) **Date of Patent:** **\*\* Jun. 16, 2015**

(54) **LOW PRESSURE, LOW FLOW STREAM STRAIGHTENER**

(71) Applicant: **Neoperl GmbH**, Mullheim (DE)

(72) Inventor: **Marc Tempel**, Freiburg (DE)

(73) Assignee: **Neoperl GmbH**, Müllheim (DE)

(\*\*) Term: **14 Years**

(21) Appl. No.: **29/486,964**

(22) Filed: **Apr. 4, 2014**

**Related U.S. Application Data**

(63) Continuation of application No. 29/466,308, filed on Sep. 6, 2013.

(30) **Foreign Application Priority Data**

Mar. 11, 2013 (WO) ..... 725354801

(51) **LOC (10) Cl.** ..... **23-01**

(52) **U.S. Cl.**  
USPC ..... **D23/213**

(58) **Field of Classification Search**  
USPC ..... D23/213, 249; 239/428.5, 437;  
261/DIG. 22; 366/276, 364-5  
CPC ..... E03C 1/084  
See application file for complete search history.

(56) **References Cited**

**U.S. PATENT DOCUMENTS**

6,126,093 A 10/2000 Grether et al.

D550,816 S	9/2007	Grether	
D550,818 S	9/2007	Grether	
7,357,337 B2 *	4/2008	Ferrari	239/428.5
7,374,366 B2	5/2008	Tasi	
D605,732 S	12/2009	Stein	
D612,911 S	3/2010	Grether	
D622,355 S	8/2010	Grether	
D641,071 S	7/2011	Grether	
RE43,347 E	5/2012	Grether	
D674,878 S *	1/2013	Jones et al.	D23/213
D682,986 S *	5/2013	Grether	D23/213
D688,774 S	8/2013	Tempel	
D693,427 S *	11/2013	Jones et al.	D23/213
D697,175 S	1/2014	Grether	

\* cited by examiner

*Primary Examiner* — Robin V Webster

(74) *Attorney, Agent, or Firm* — Volpe and Koenig, P.C.

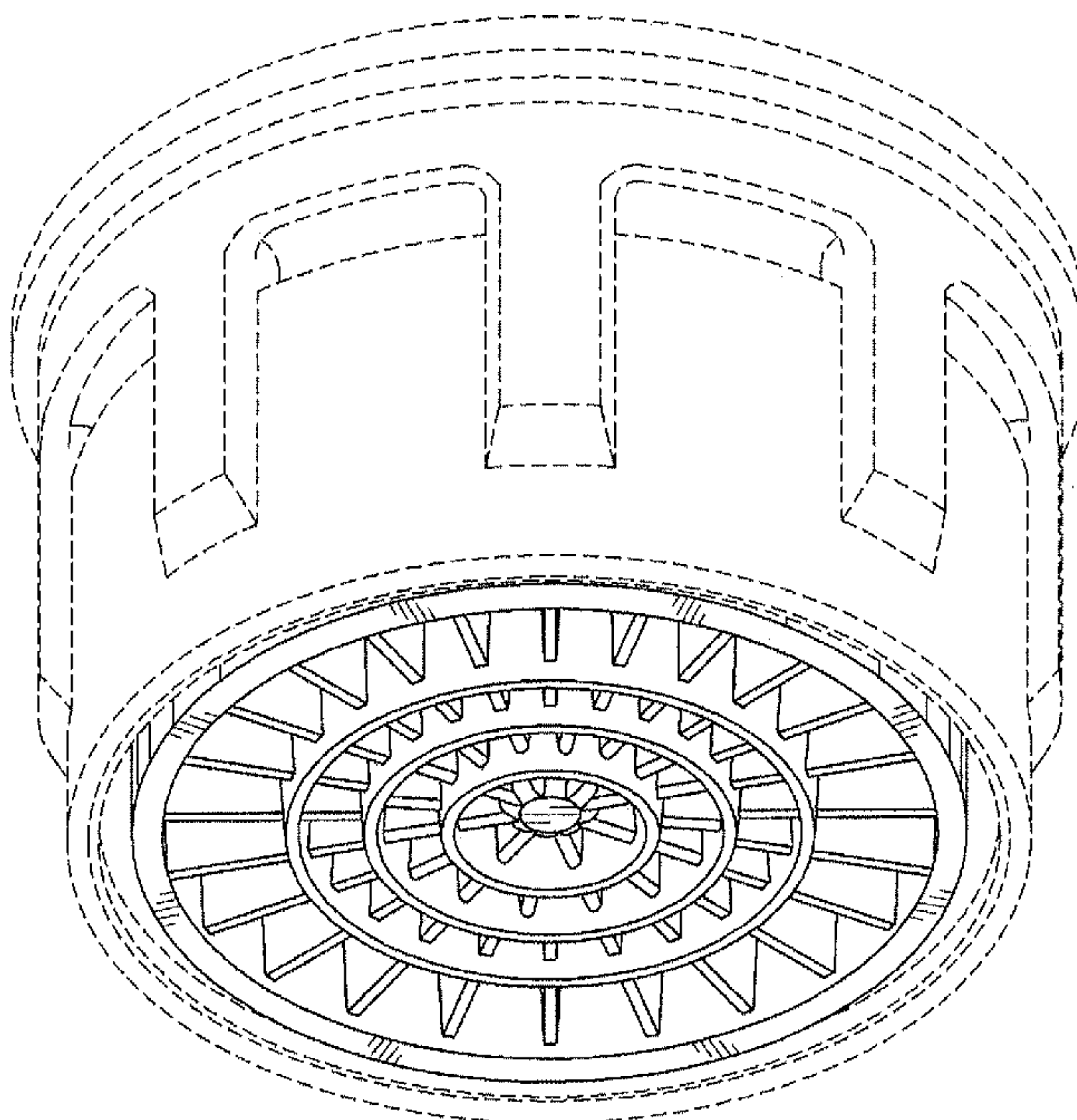
(57) **CLAIM**

The ornamental design of a low pressure, low flow stream straightener, as shown and described.

**DESCRIPTION**

FIG. 1 is a top plan view of a low pressure, low flow stream straightener in accordance with my design;  
FIG. 2 is a top, front perspective view thereof;  
FIG. 3 is a bottom view thereof;  
FIG. 4 is a bottom, rear perspective view thereof; and,  
FIG. 5 is an elevational view thereof.  
The broken lines shown form no part of the claimed design.

**1 Claim, 5 Drawing Sheets**



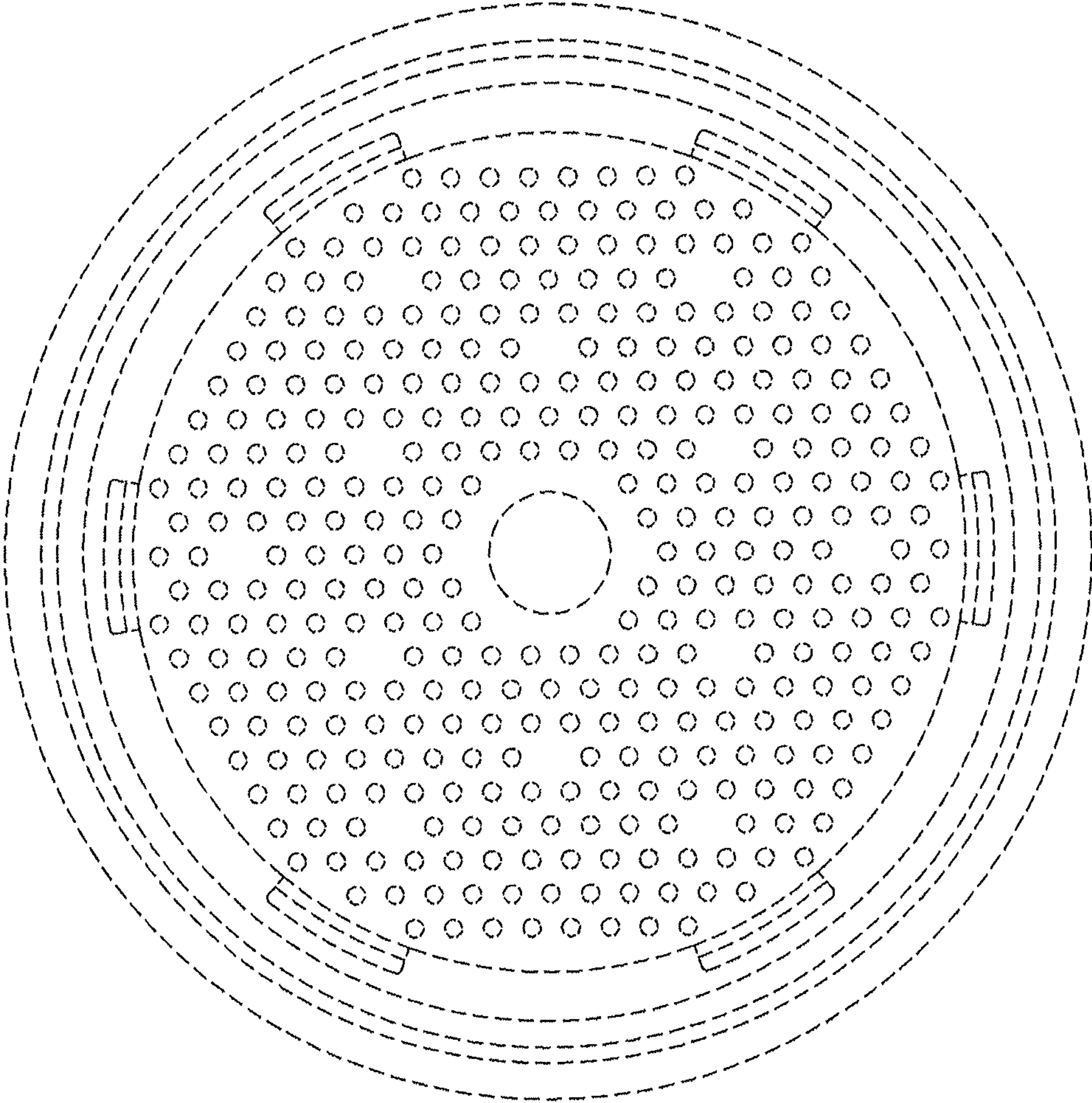
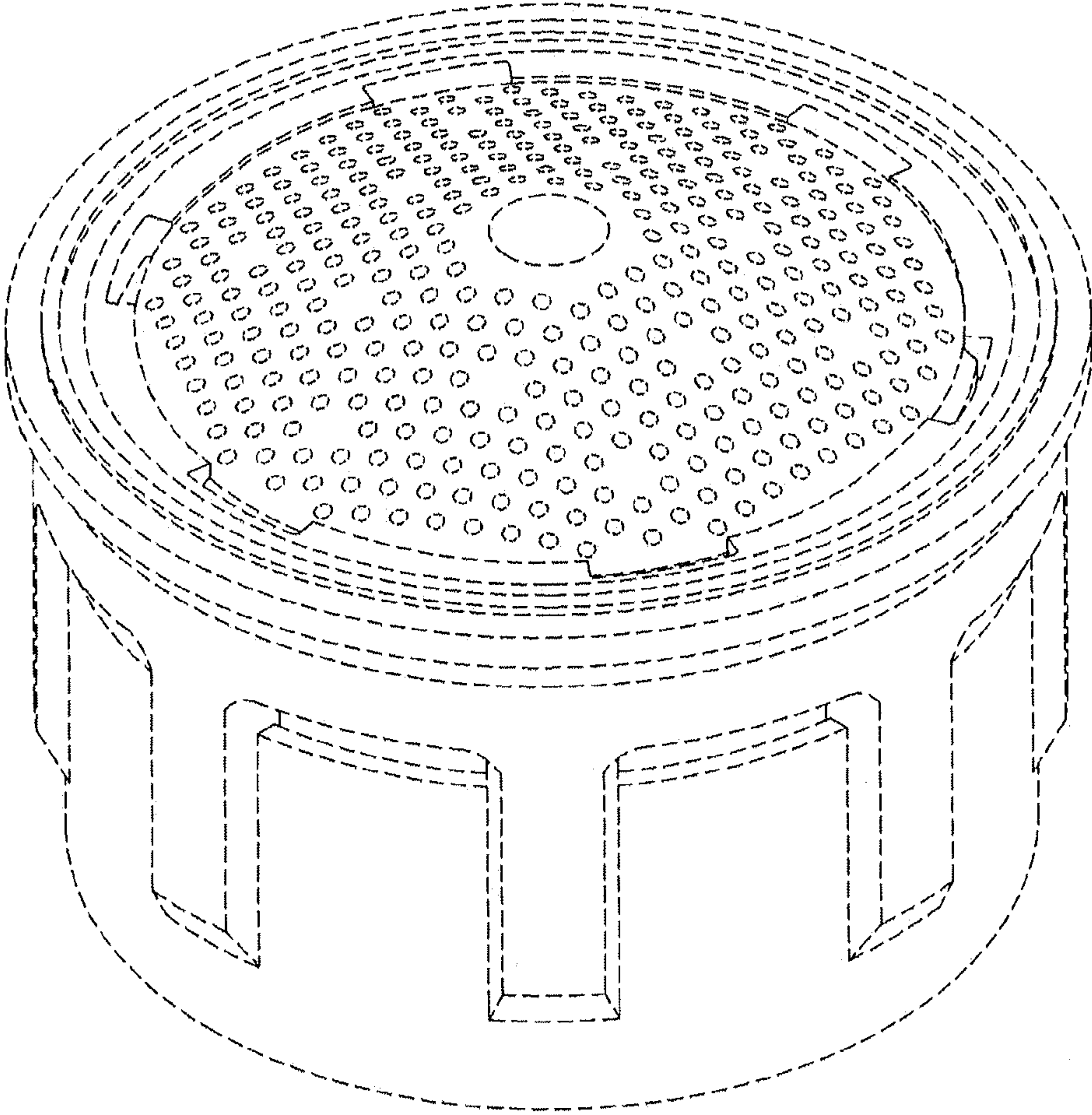
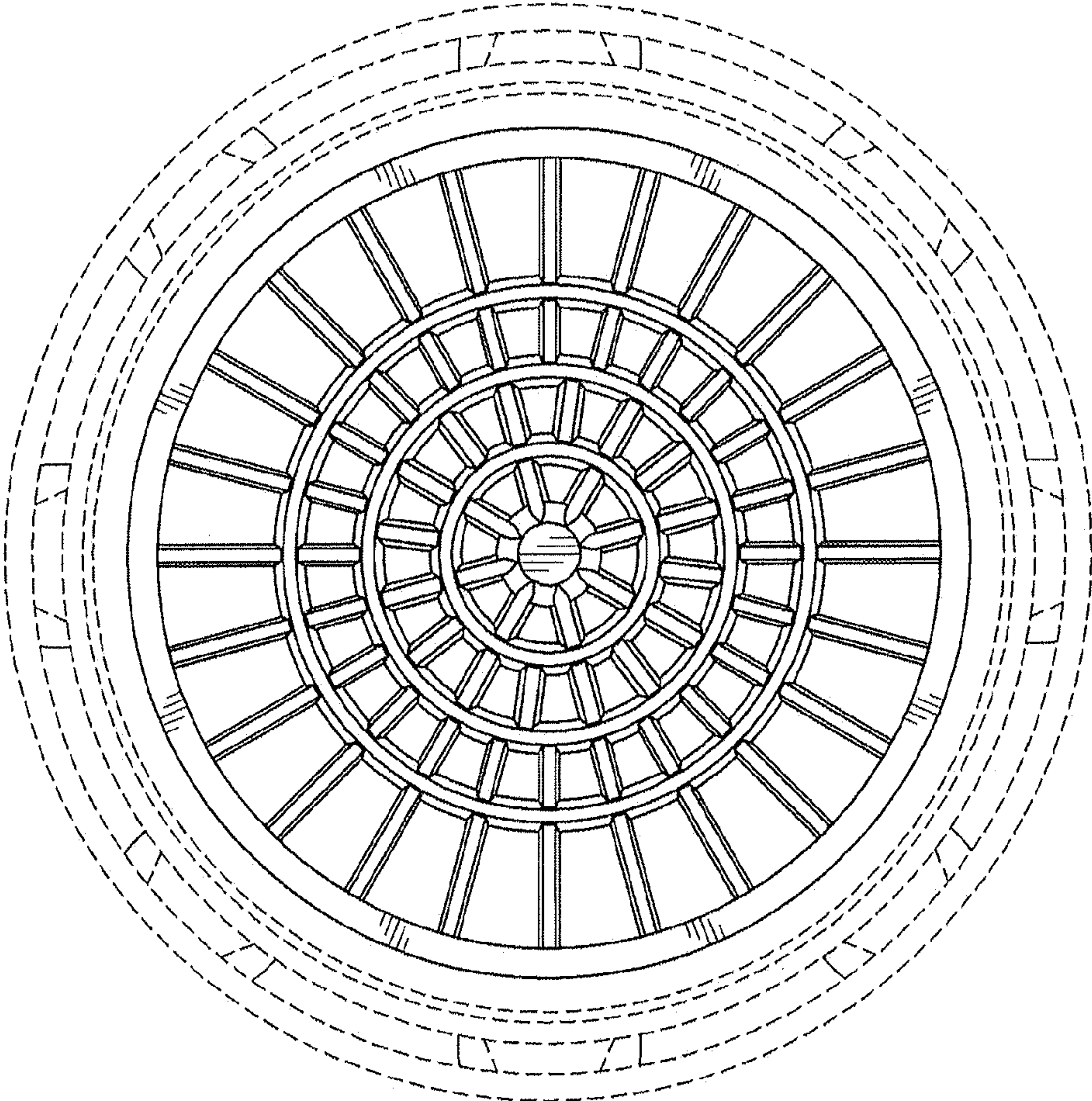


Fig. 1



**Fig. 2**





**Fig. 3**

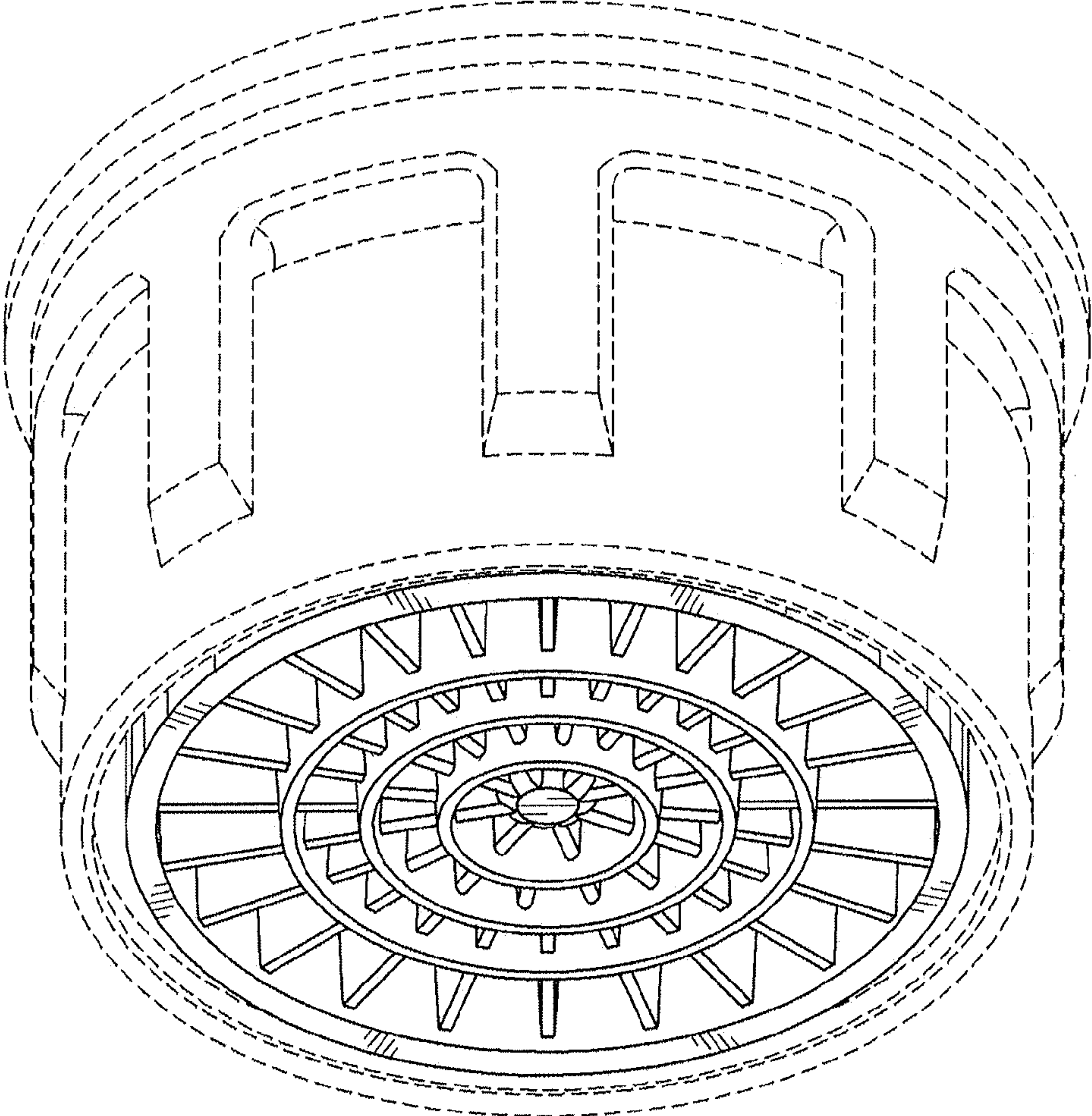


Fig. 4

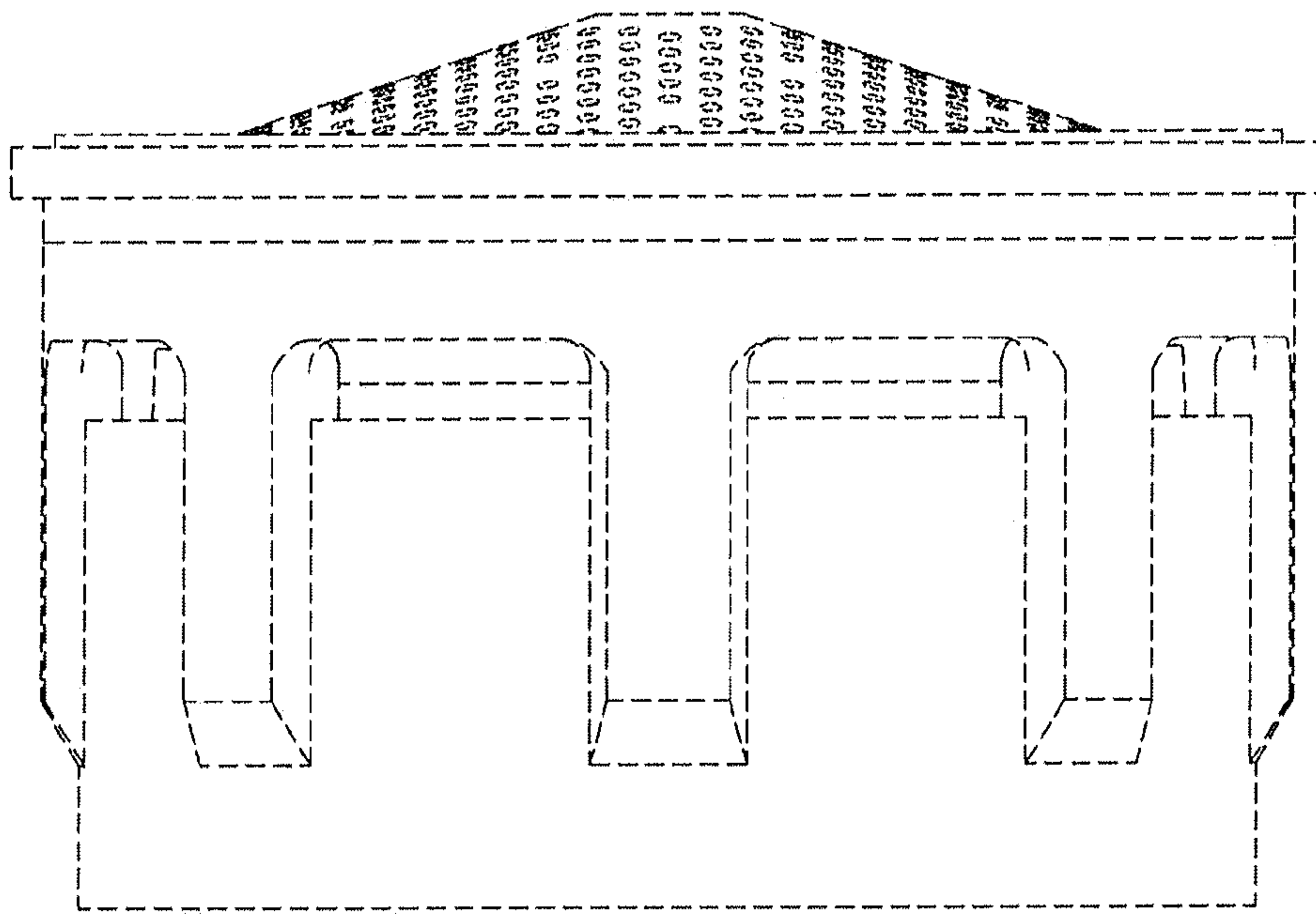


Fig. 5