

US00D732138S

(12) **United States Design Patent**  
**Wooley**

(10) **Patent No.:** **US D732,138 S**  
(45) **Date of Patent:** **\*\* Jun. 16, 2015**

- (54) **FISHING ROD STABILIZER**
- (71) Applicant: **Gary Wooley**, Lafayette, LA (US)
- (72) Inventor: **Gary Wooley**, Lafayette, LA (US)
- (\*\*) Term: **14 Years**
- (21) Appl. No.: **29/463,702**
- (22) Filed: **Feb. 12, 2014**
- (51) **LOC (10) Cl.** ..... **22-05**
- (52) **U.S. Cl.**  
USPC ..... **D22/147**
- (58) **Field of Classification Search**  
USPC ..... D22/138-142; 43/21.2, 23, 25; D6/513,  
D6/567; 224/200, 251, 258, 262, 268, 538,  
224/567, 581, 662, 666, 676, 678, 922;  
248/229.14, 535; 473/299  
See application file for complete search history.

5,377,441 A	1/1995	Noda	
5,426,884 A	6/1995	Makowsky	
5,581,931 A	12/1996	Swisher	
D378,398 S *	3/1997	Osburn	D22/147
D388,153 S *	12/1997	Snyder	D22/147
5,738,257 A *	4/1998	McConnell	224/200
6,237,274 B1	5/2001	Head et al.	
6,591,540 B1	7/2003	Chargois	
7,114,282 B2	10/2006	Nakagawa	
D584,792 S *	1/2009	Childers	D22/147
7,686,276 B1 *	3/2010	McCauley	248/535
7,765,732 B1 *	8/2010	Canevari	43/21.2

\* cited by examiner

*Primary Examiner* — Catheri Oliver-Garcia

(74) *Attorney, Agent, or Firm* — Onebane Law Firm; Greg R. Mier

(57) **CLAIM**

The ornamental design for a fishing rod stabilizer, as shown.

**DESCRIPTION**

FIG. 1 is a perspective view of the fishing rod stabilizer showing my new design.

FIG. 2 is another perspective view of the fishing rod stabilizer showing my new design.

FIG. 3 is a side view of the fishing rod stabilizer showing my new design; and,

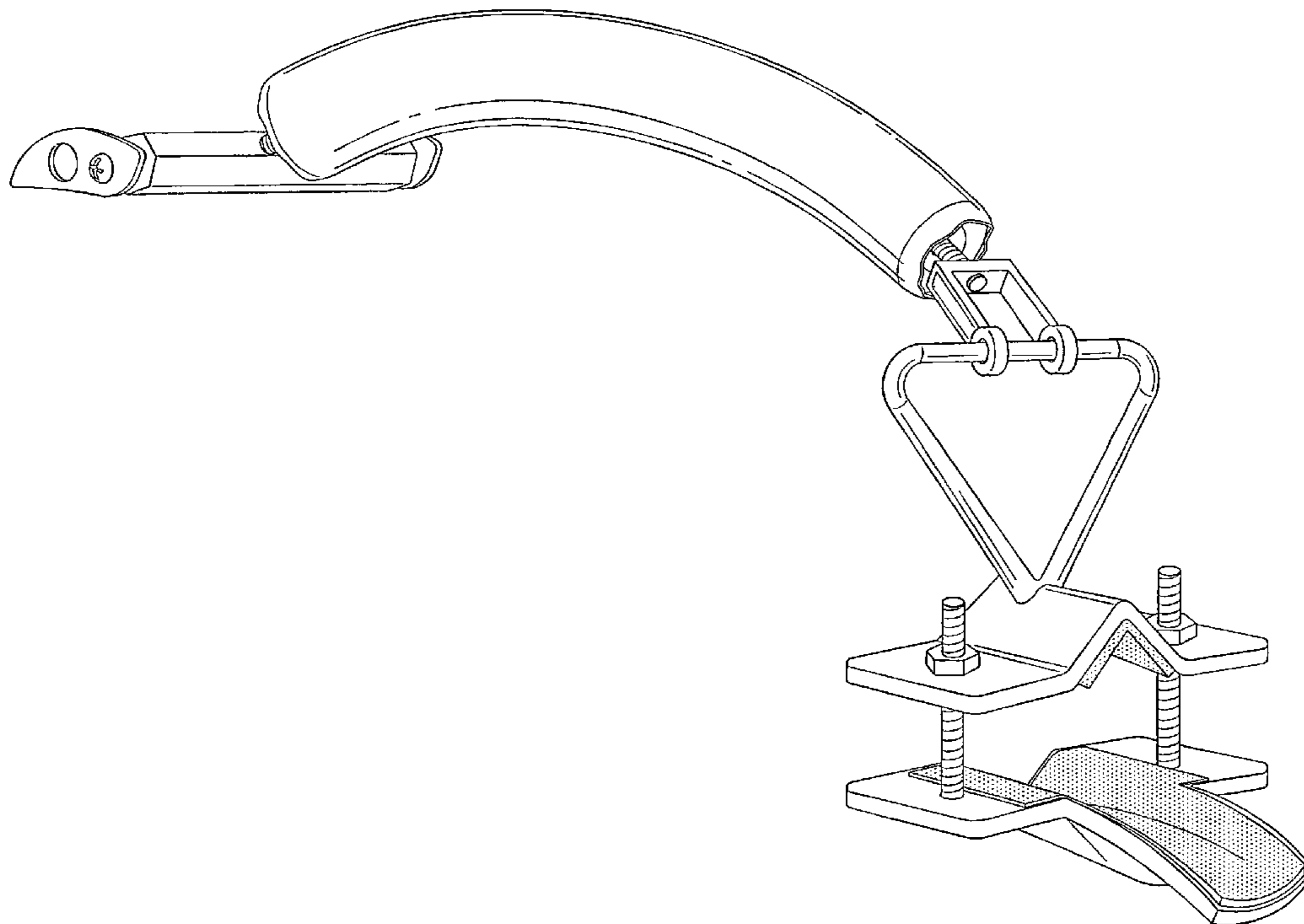
FIG. 4 is a cross-sectional view of the fishing rod stabilizer taken along line 4-4 of FIG. 3.

The broken line showing of environment in the drawings is included for the purpose of illustrating only and forms no part of the claimed design.

**1 Claim, 3 Drawing Sheets**

(56) **References Cited**  
U.S. PATENT DOCUMENTS

2,600,259 A	6/1952	Palmer	
2,653,406 A	9/1953	Grabiak et al.	
2,761,236 A	9/1956	Gaston	
D191,985 S *	12/1961	Clink	D22/142
3,296,732 A	1/1967	Magnus	
4,027,419 A	6/1977	Popeil	
4,651,461 A	3/1987	Williams	
4,697,377 A *	10/1987	Martin	43/23
5,044,109 A *	9/1991	Fast	43/21.2
D343,224 S *	1/1994	Testa	D22/142
5,363,586 A	11/1994	Balkenbush	



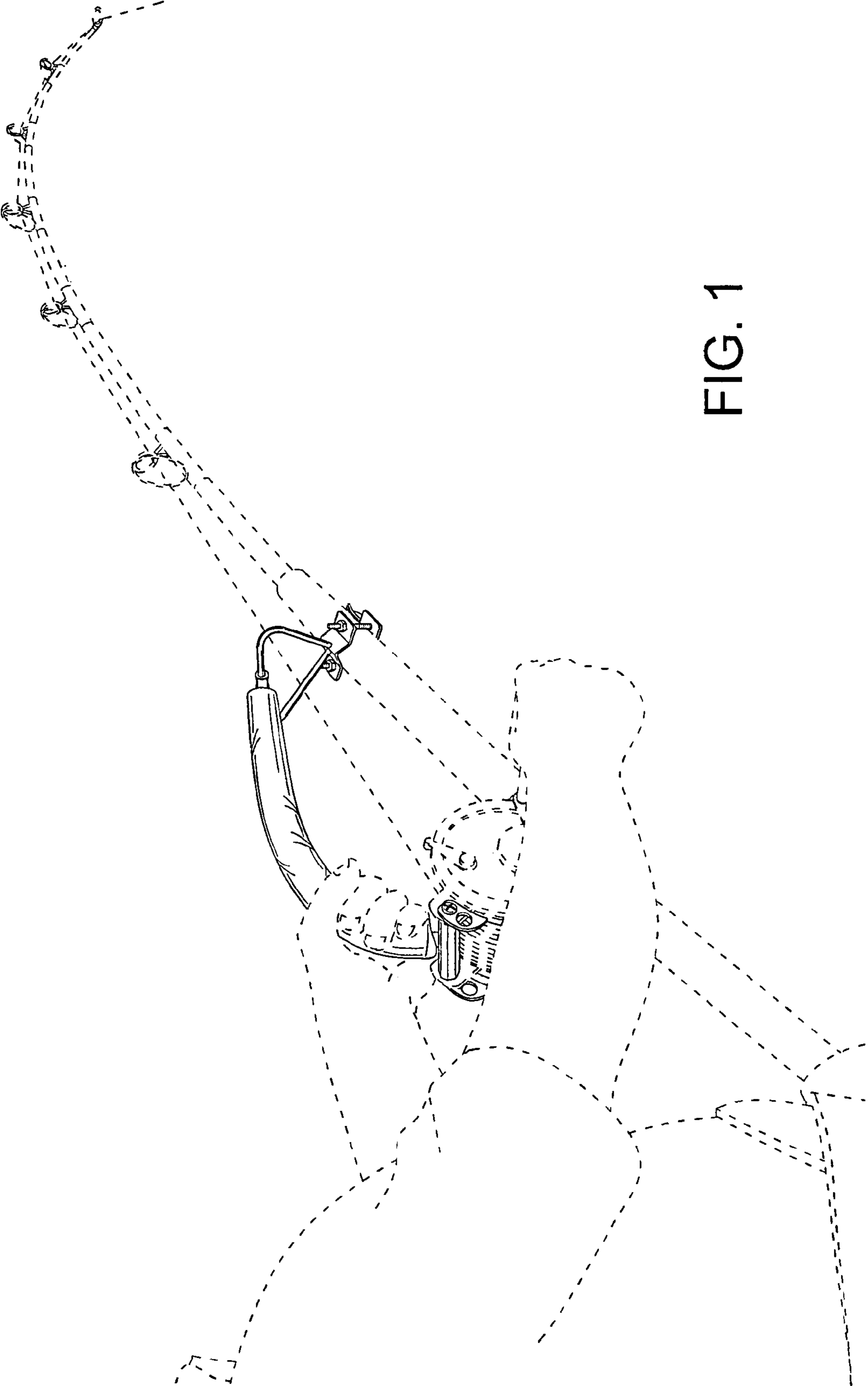


FIG. 1

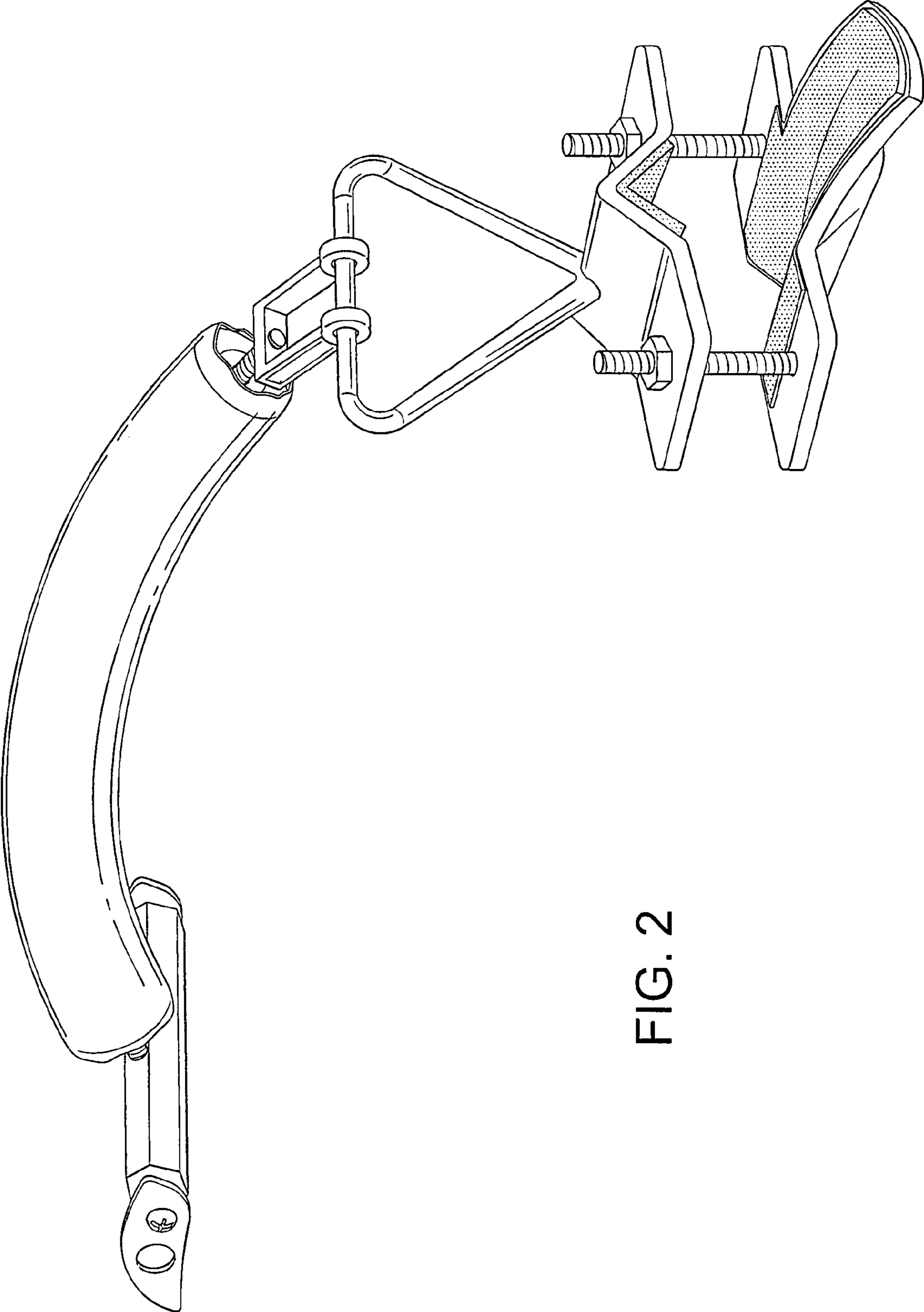


FIG. 2

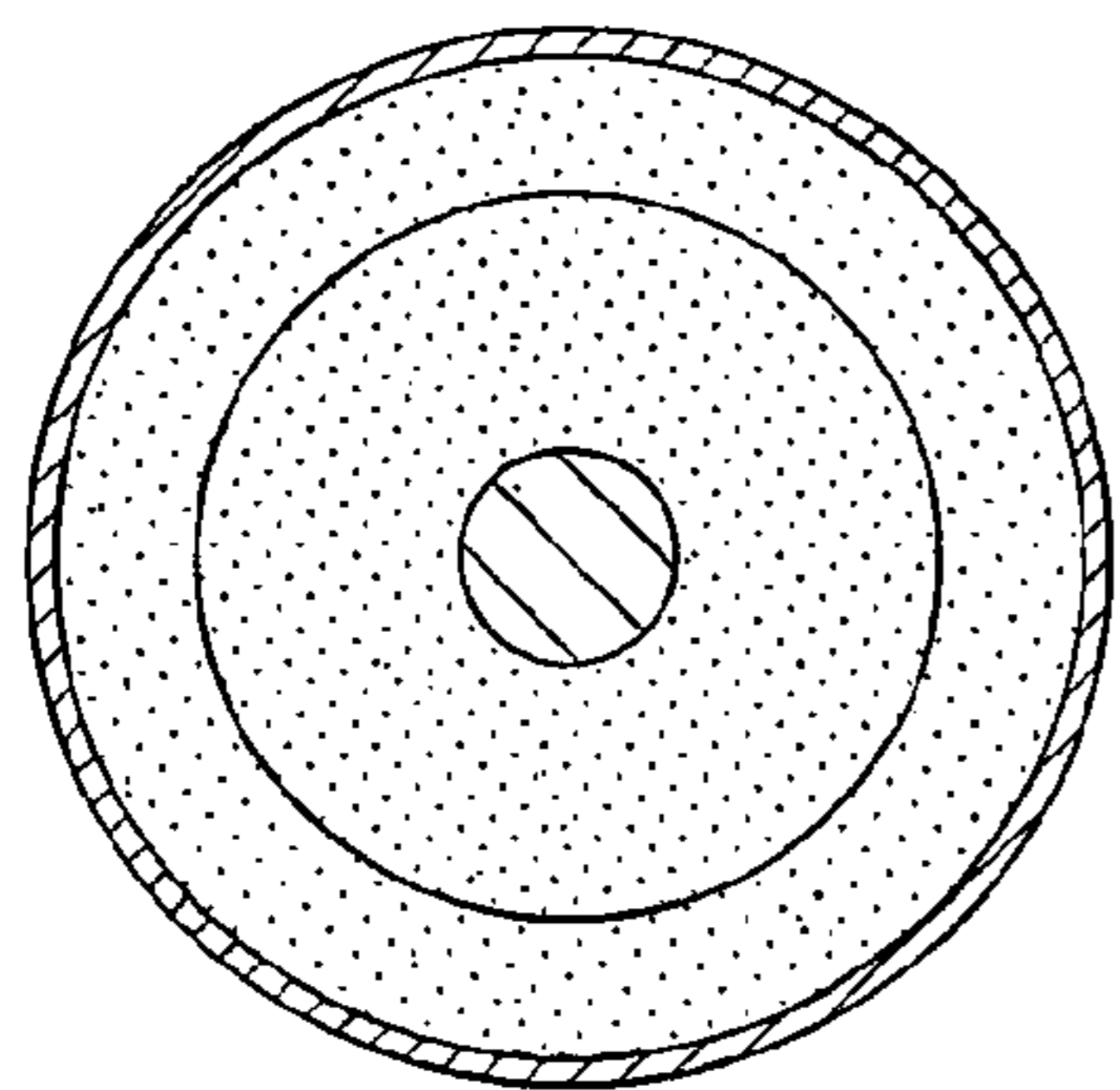


FIG. 4

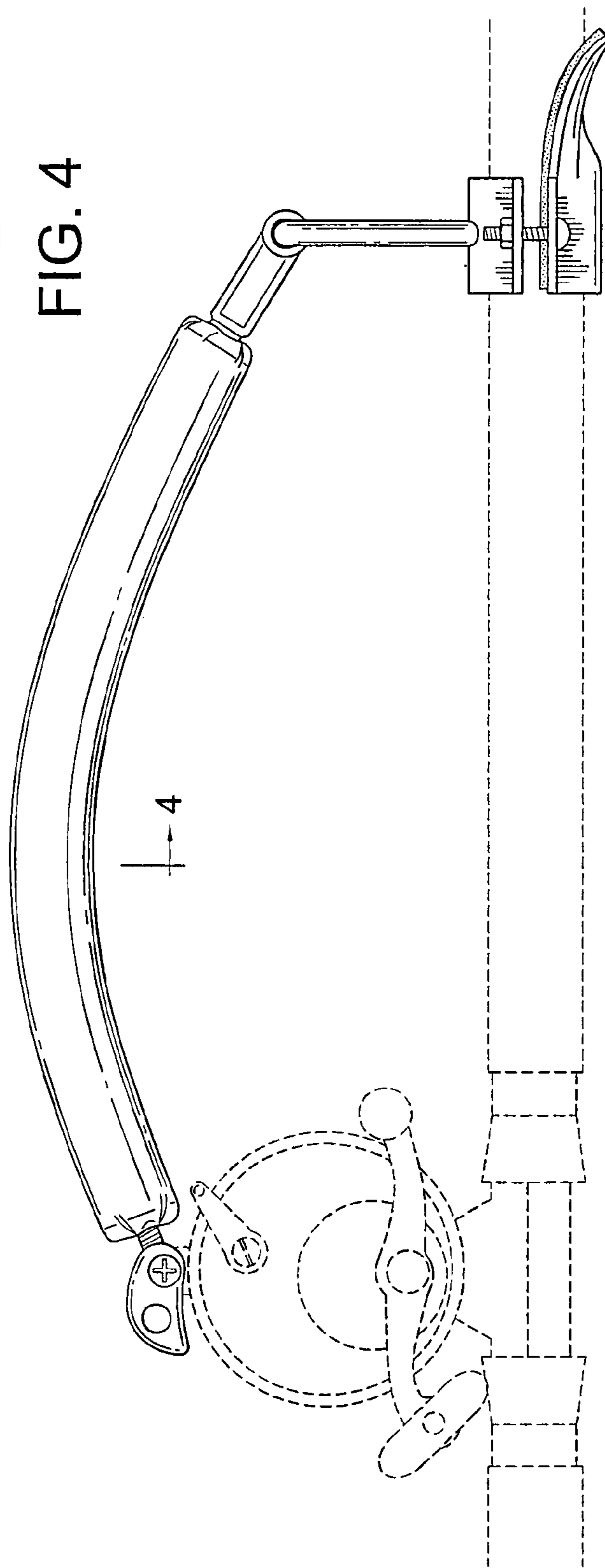
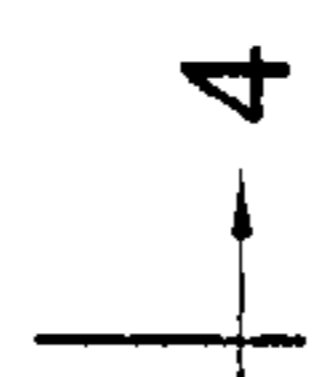


FIG. 3