



US00D732137S

(12) **United States Design Patent**
Hamilton et al.

(10) **Patent No.:** **US D732,137 S**
(45) **Date of Patent:** **** Jun. 16, 2015**

(54) **RIFLESCOPE**

(71) Applicant: **Sheltered Wings, Inc.**, Middleton, WI (US)

(72) Inventors: **David M. Hamilton**, Mt. Horeb, WI (US); **Samuel J. Hamilton**, Mt. Horeb, WI (US)

(73) Assignee: **Sheltered Wings, Inc.**, Middleton, WI (US)

(**) Term: **14 Years**

(21) Appl. No.: **29/478,813**

(22) Filed: **Jan. 8, 2014**

(51) **LOC (10) Cl.** **22-01**

(52) **U.S. Cl.**
USPC **D22/109**

(58) **Field of Classification Search**
USPC D22/108–109; D16/130, 132–134, 330;
359/399, 823, 744; 42/111, 133, 119,
42/122

CPC F41G 1/00; F41G 1/01; F41G 1/02;
F41G 1/06; F41G 1/065; F41G 1/08; F41G
1/10; F41G 1/12; F41G 1/14; F41G 1/30;
F41G 1/32; F41G 1/38; F41G 1/40; F41G
1/42; F41G 1/44; F41G 1/46; F41G 1/383;
F41G 1/387; F41G 1/393; F41G 3/00; F41G
3/005; F41G 3/02; F41G 3/04; F41G 3/06;
F41G 3/14; F41G 11/002; F41G 11/003;
F41G 11/004; F41G 11/005

See application file for complete search history.

(56) **References Cited**

U.S. PATENT DOCUMENTS

D369,367 S * 4/1996 Tomita D16/132
D416,972 S * 11/1999 Otteman et al. D22/109

(Continued)

OTHER PUBLICATIONS

Website screenshot of SPARC riflescope from <http://www.vortexoptics.com/product/vortex-sparc-red-dot-scope>; printed May 7, 2014.

(Continued)

Primary Examiner — Michael A Pratt

(74) *Attorney, Agent, or Firm* — Jennifer L. Gregor; Godfrey & Kahn, S.C.

(57) **CLAIM**

We claim the ornamental design for a riflescope, as shown and described.

DESCRIPTION

FIG. 1 is a side perspective view of an embodiment of a riflescope of our new design;

FIG. 2 is a right side elevation view of the riflescope of FIG. 1;

FIG. 3 is a left side elevation view of the riflescope of FIG. 1;

FIG. 4 is a top view of the riflescope of FIG. 1;

FIG. 5 is a bottom view of the riflescope of FIG. 1;

FIG. 6 is a rear elevation view of the riflescope of FIG. 1; and

FIG. 7 is a front elevation view of the riflescope of FIG. 1.

FIG. 8 is a side perspective view of the riflescope of FIG. 1 without the end caps.

FIG. 9 is a right side elevation view of the riflescope of FIG. 8

FIG. 10 is a left side elevation view of the riflescope of FIG. 8.

FIG. 11 is a top view of the riflescope of FIG. 8.

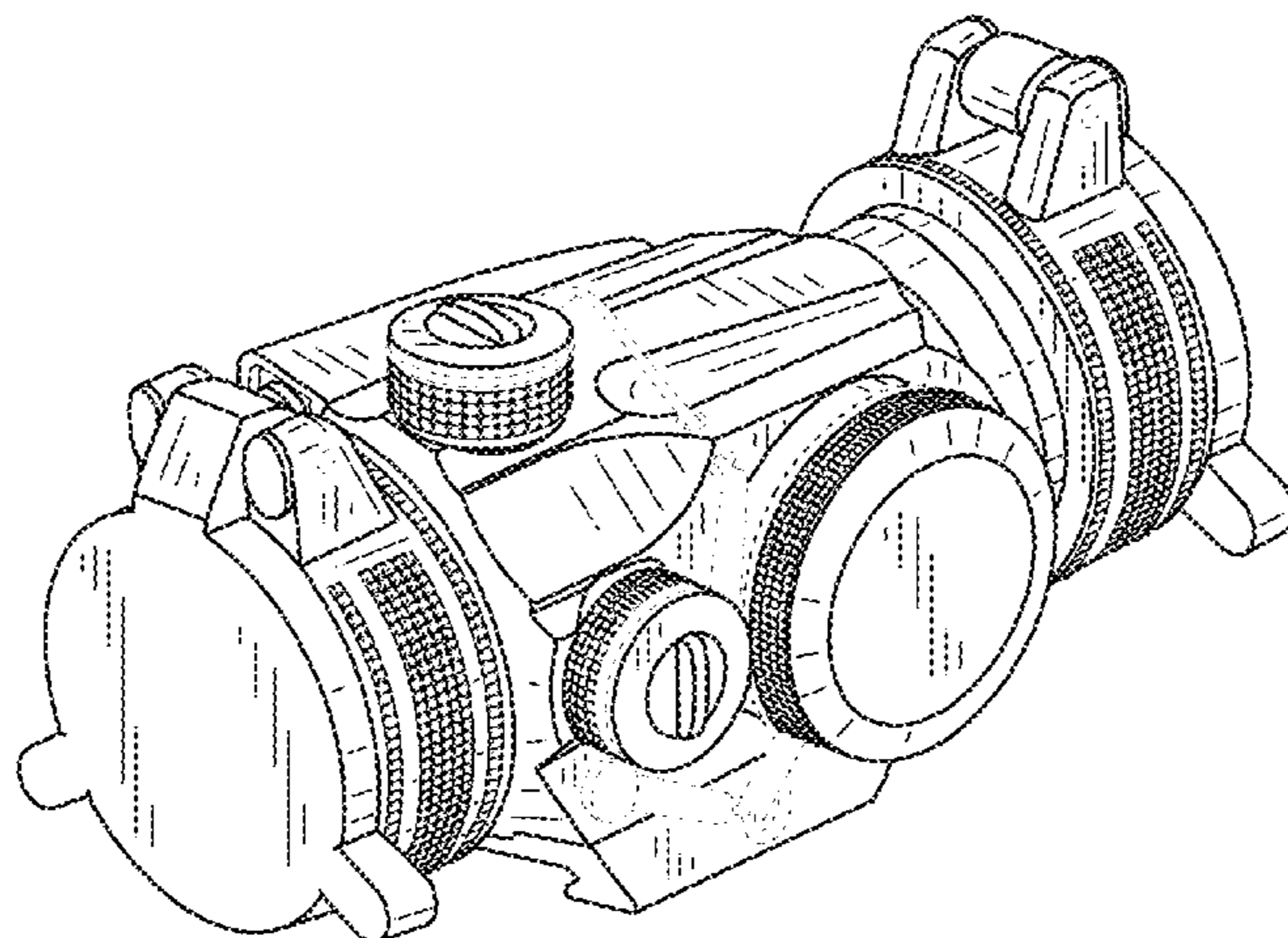
FIG. 12 is a bottom view of the riflescope of FIG. 8.

FIG. 13 is a rear elevation view of the riflescope of FIG. 8; and,

FIG. 14 is a front elevation view of the riflescope of FIG. 8.

The broken lines in FIGS. 1-14 are for illustrative purposes only to show the placement of the claimed design and form no part of the claimed design.

1 Claim, 8 Drawing Sheets



(56)

References Cited

OTHER PUBLICATIONS

U.S. PATENT DOCUMENTS

D427,275 S * 6/2000 Gilmore D22/109
D472,569 S * 4/2003 Schick D16/132
D615,141 S * 5/2010 Leighton et al. D22/108
D616,956 S * 6/2010 Hamilton D22/108
D717,390 S * 11/2014 Rogers et al. D22/108

Website screenshot of SPARC riflescope from <http://www.vortexoptics.com/product/vortex-sparc-red-dot-scope>; printed Jun. 2, 2014.

* cited by examiner

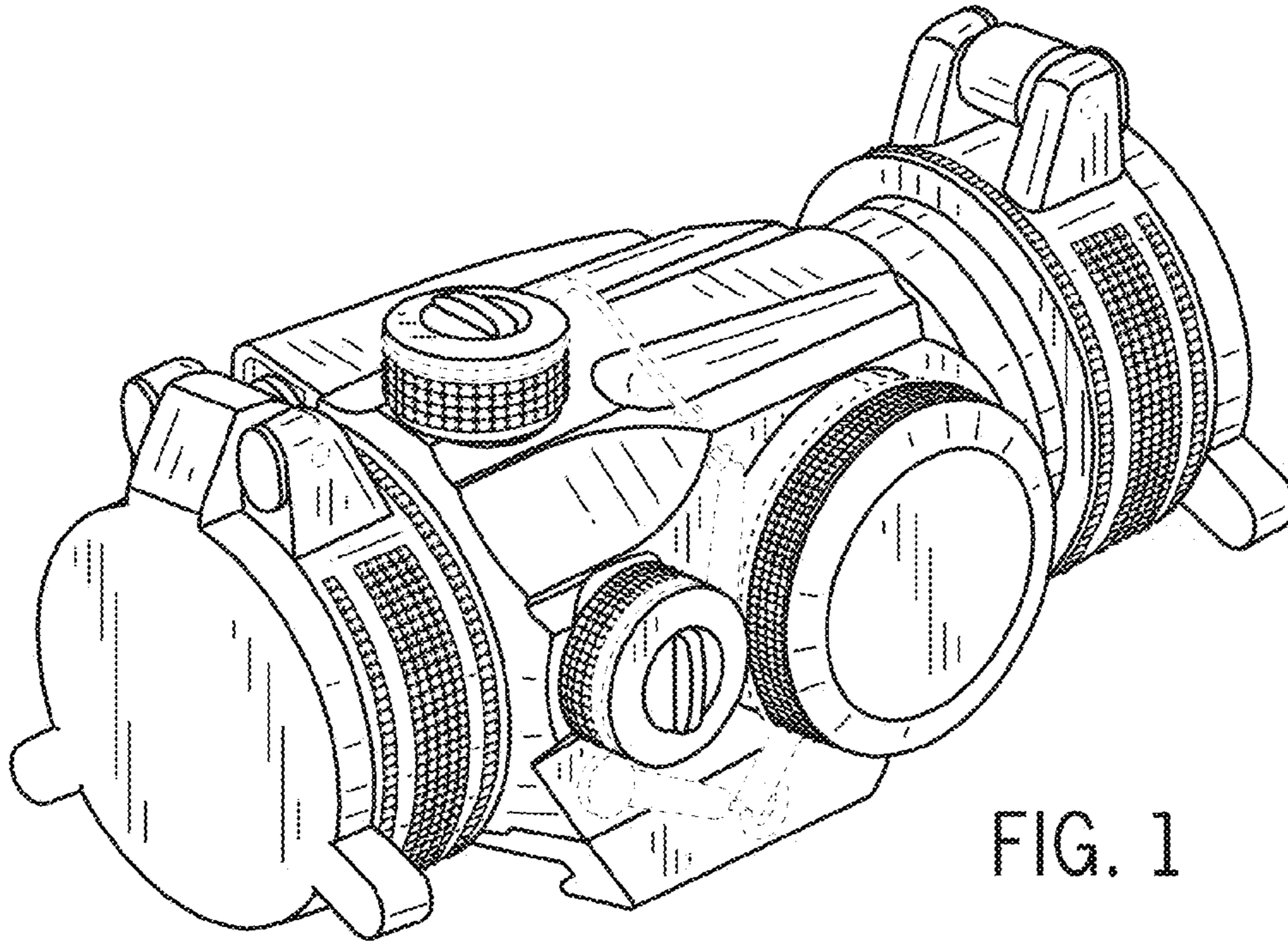


FIG. 1

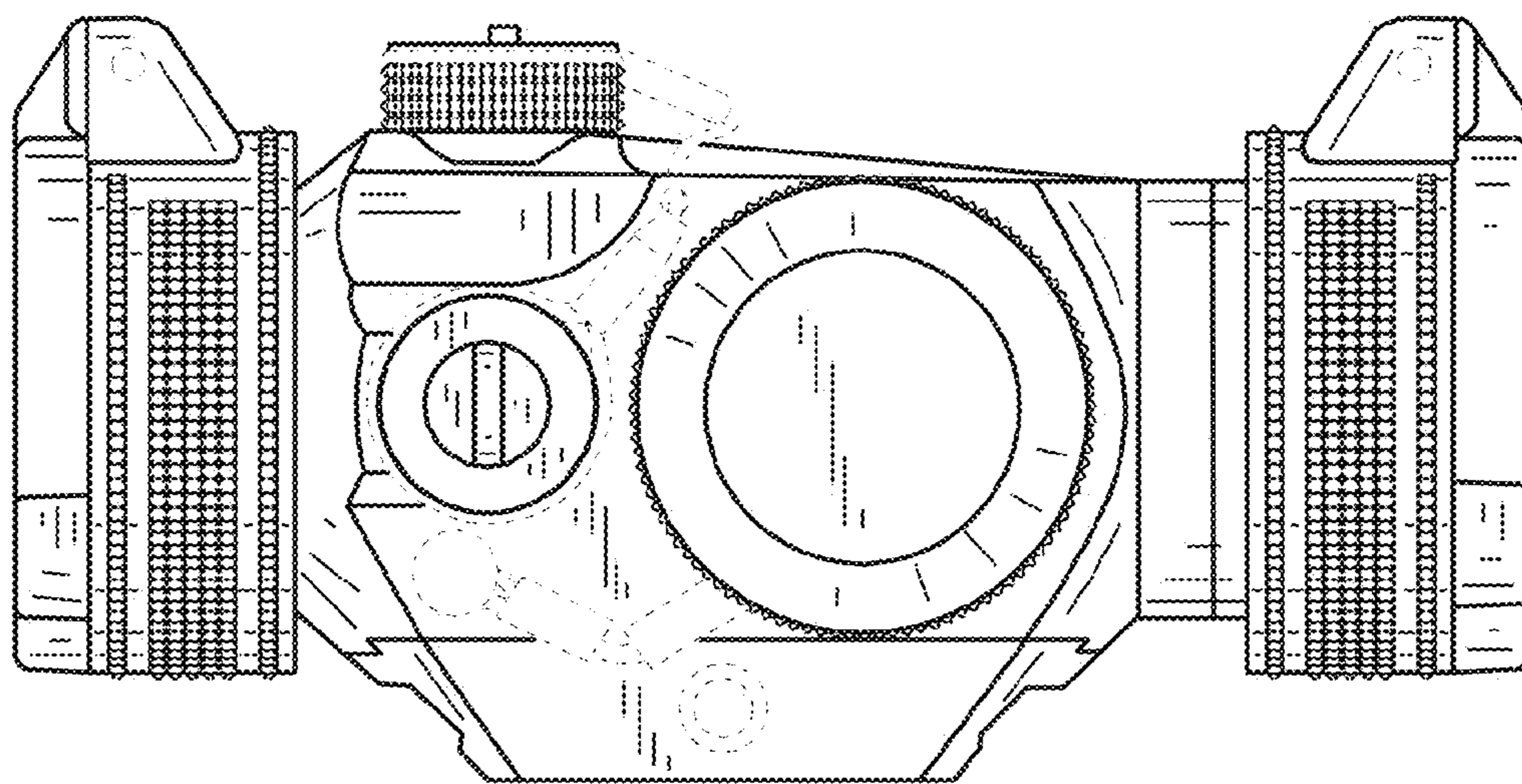


FIG. 2

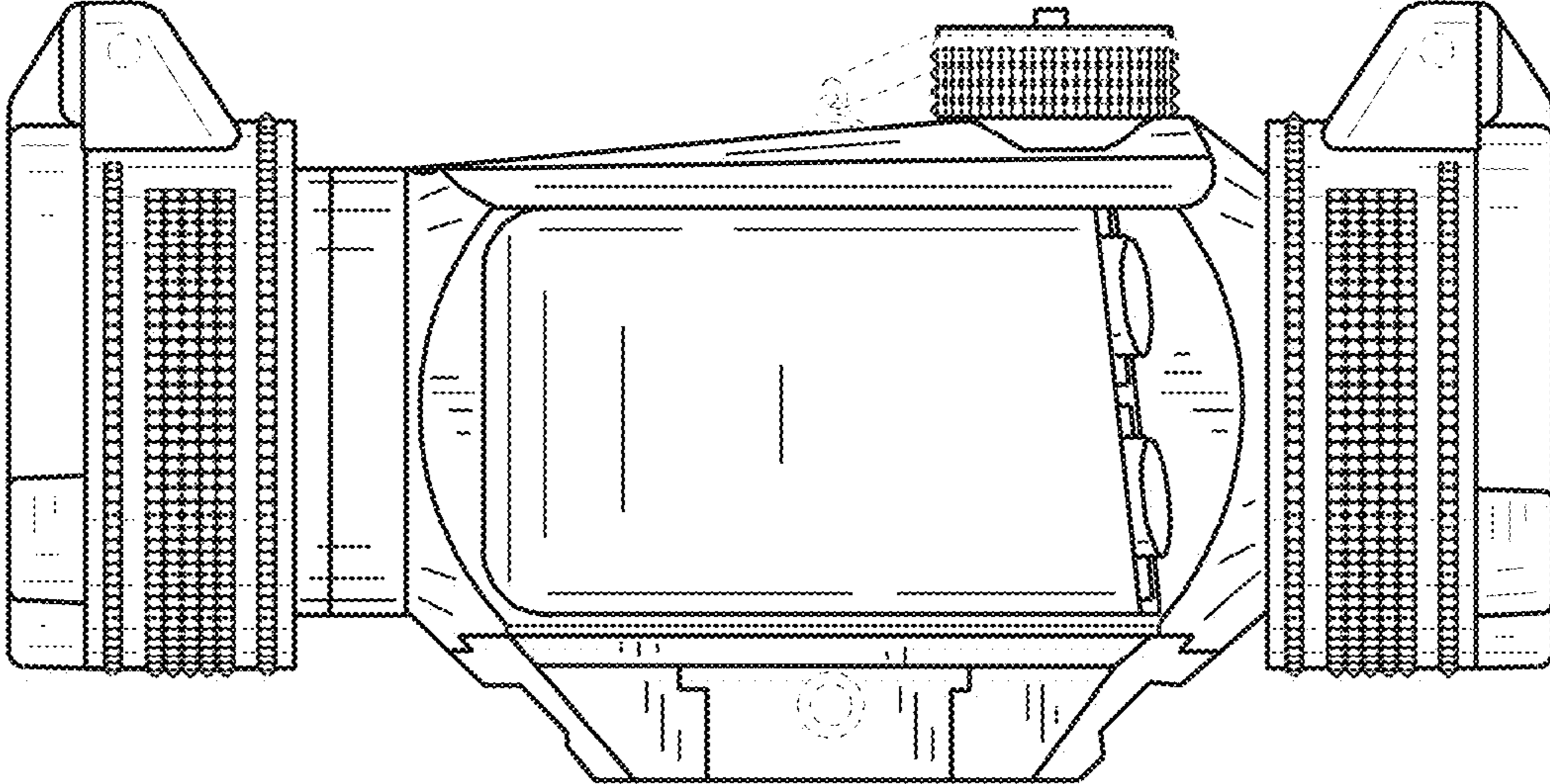


FIG. 3

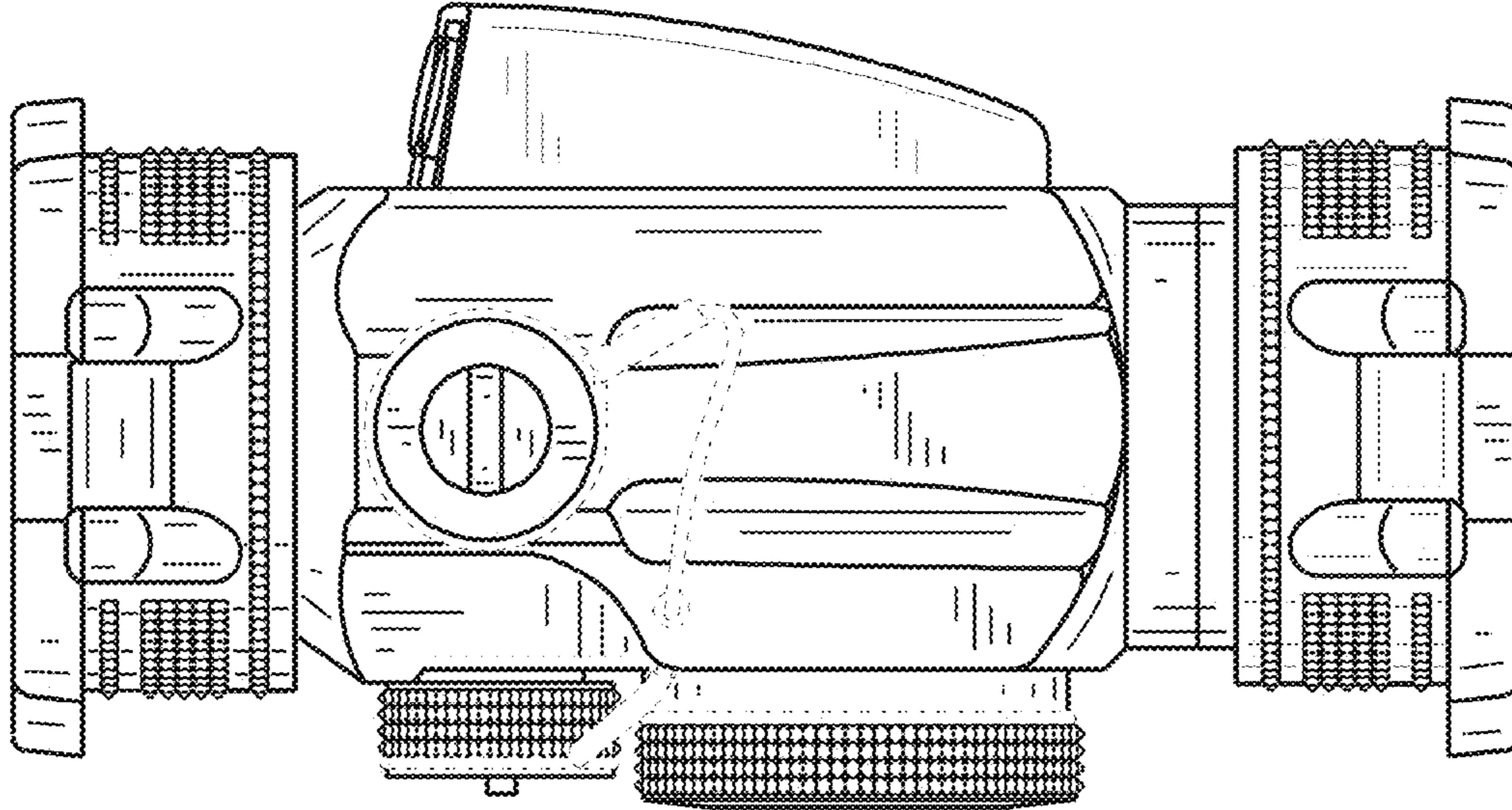


FIG. 4

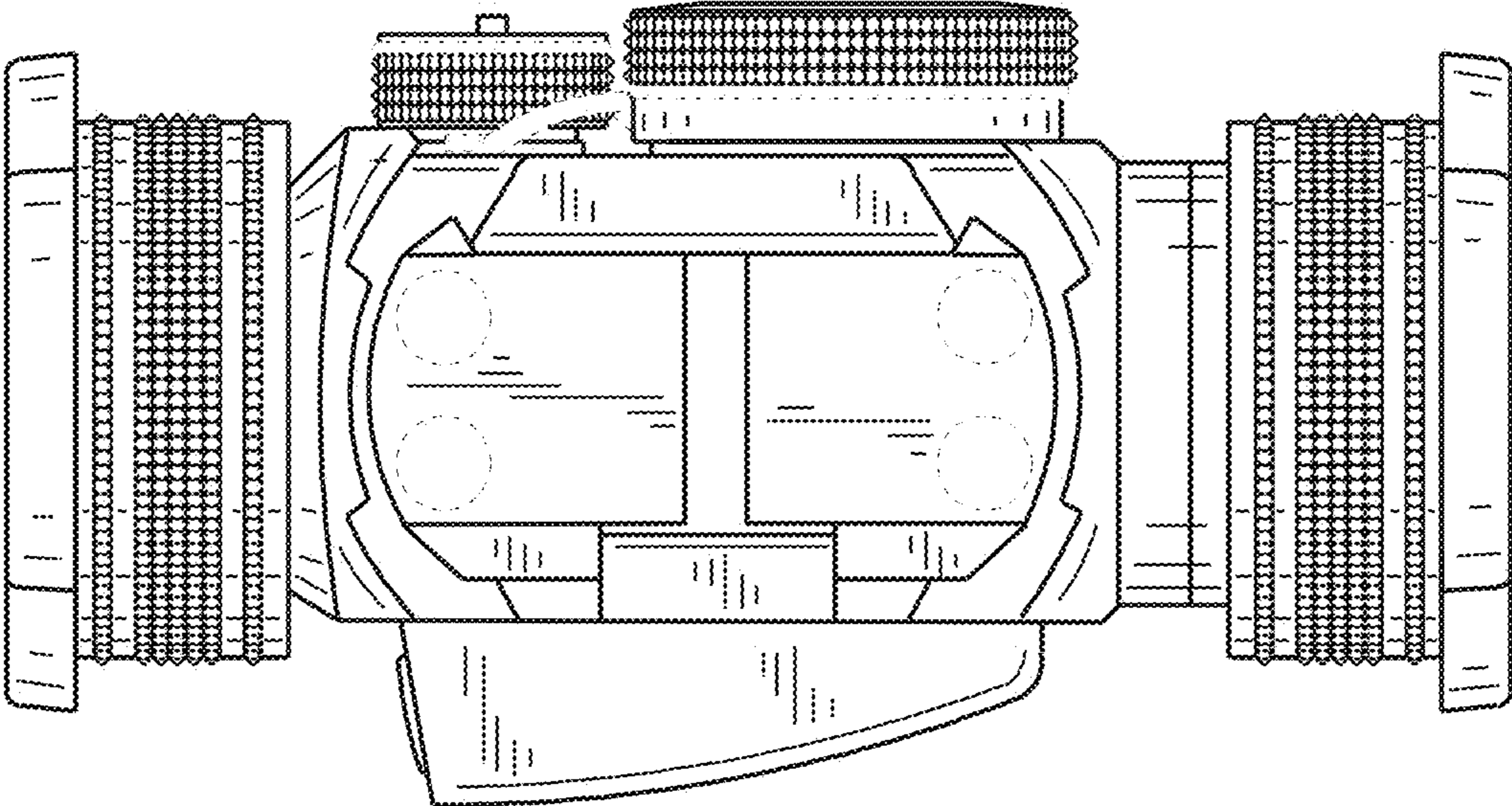


FIG. 5

FIG. 6

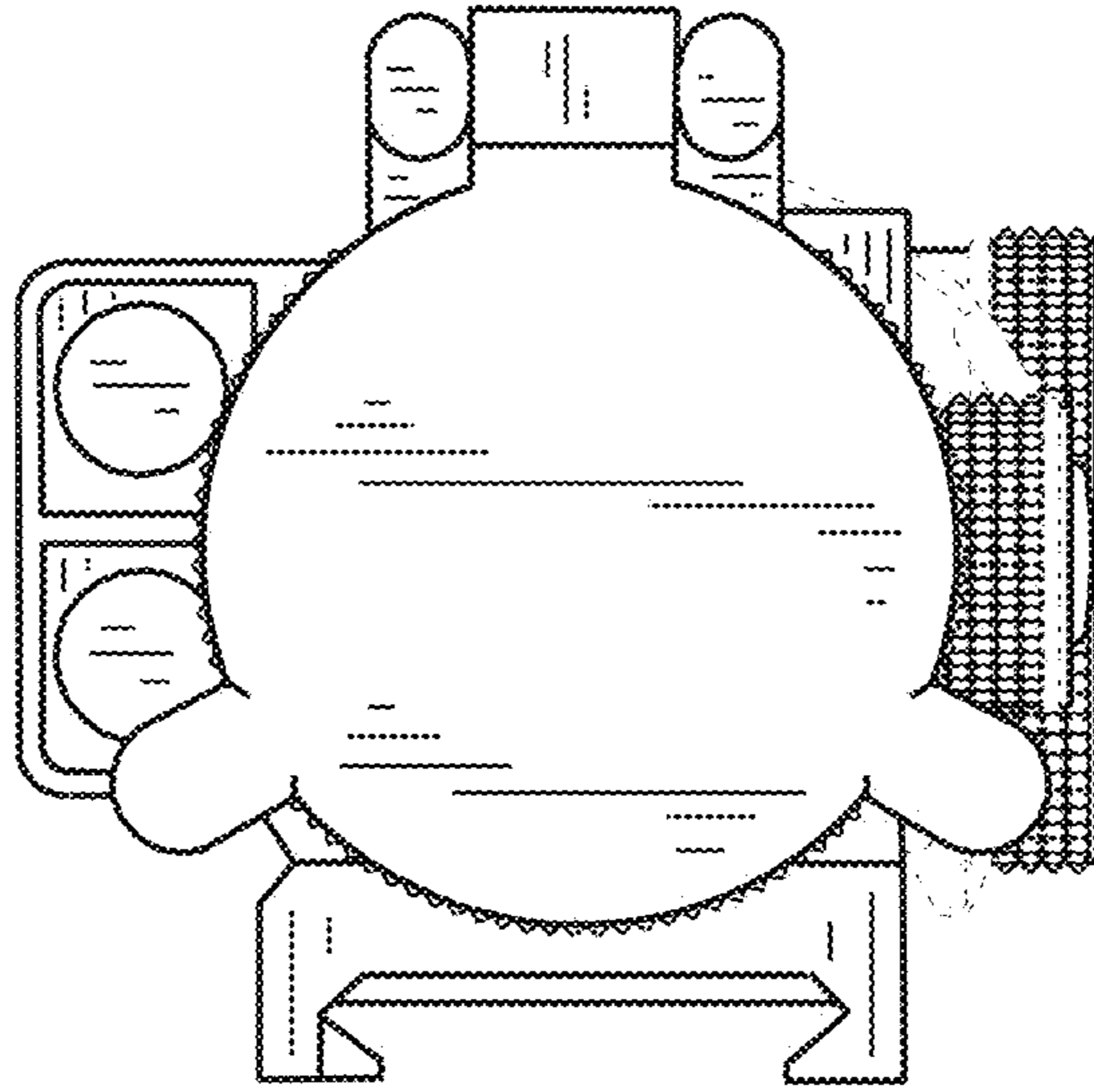
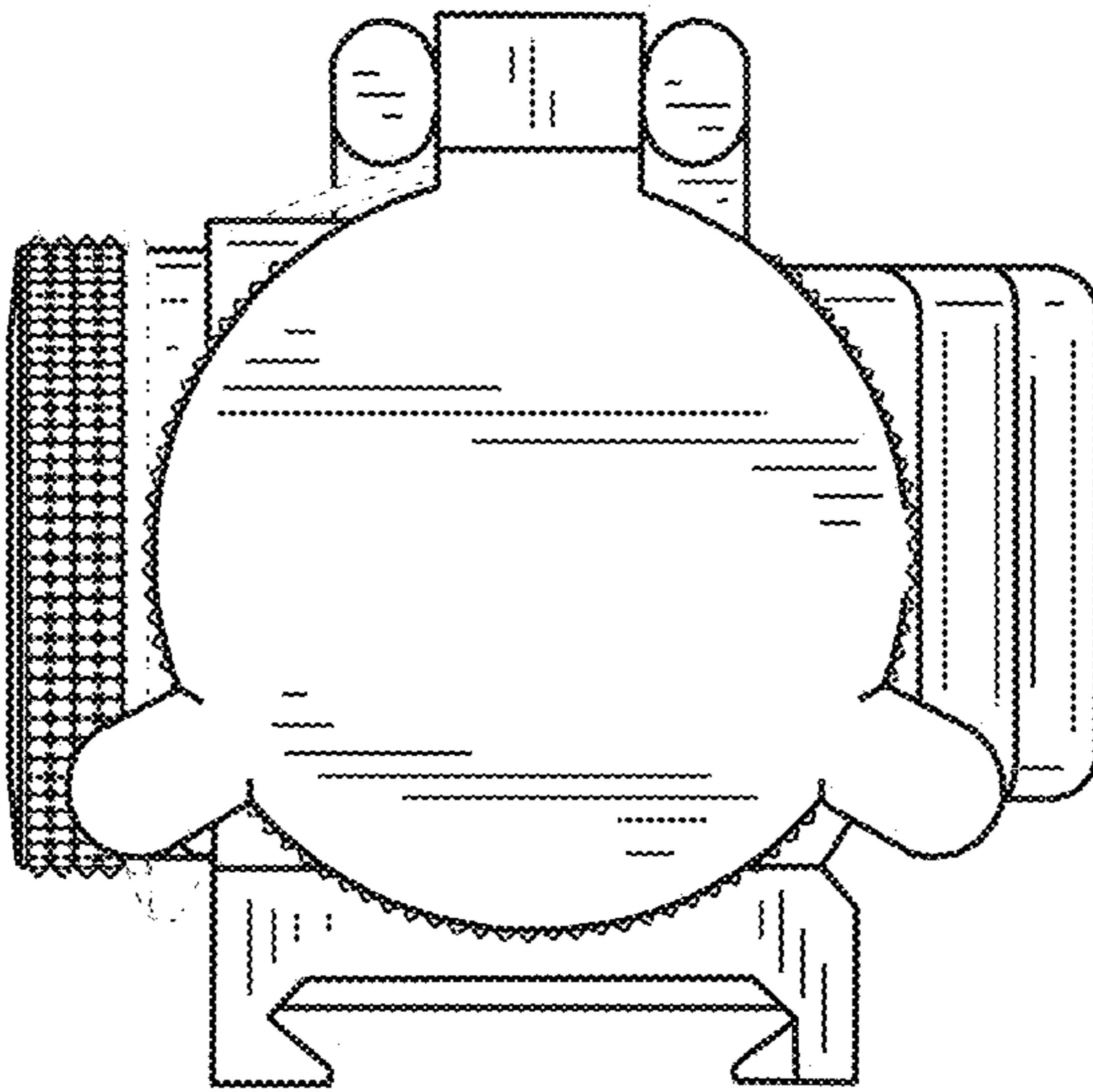


FIG. 7



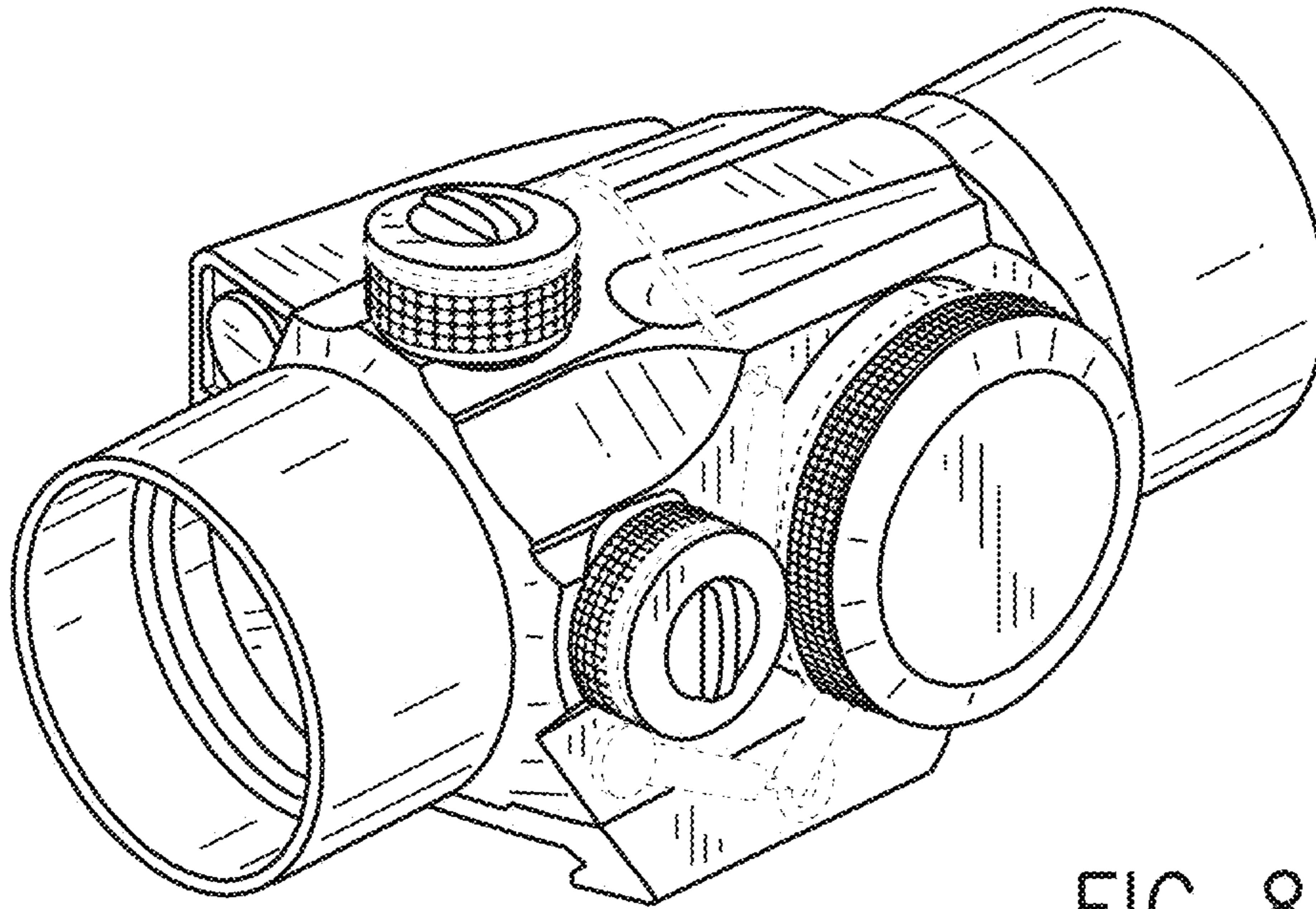


FIG. 8

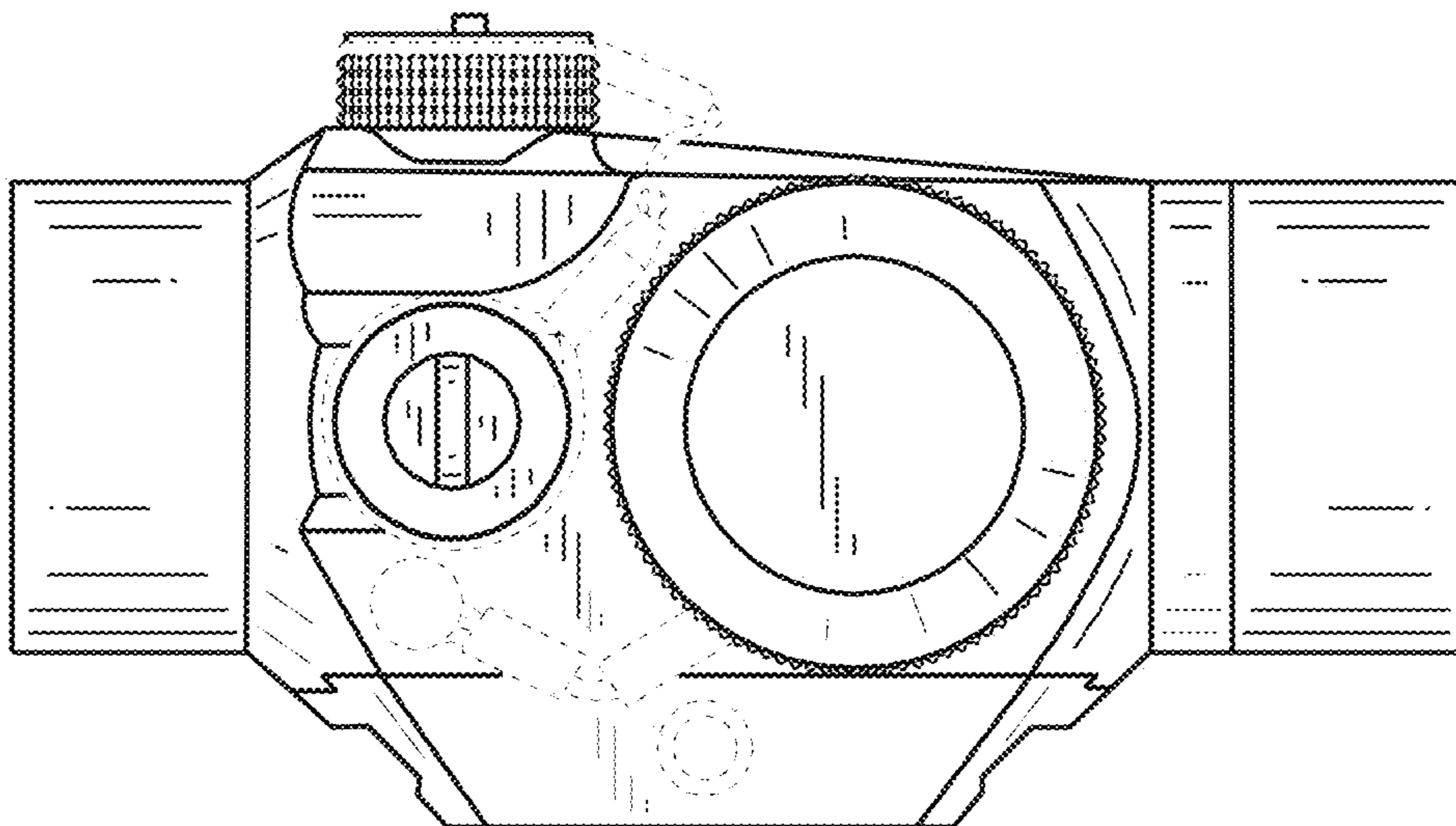


FIG. 9

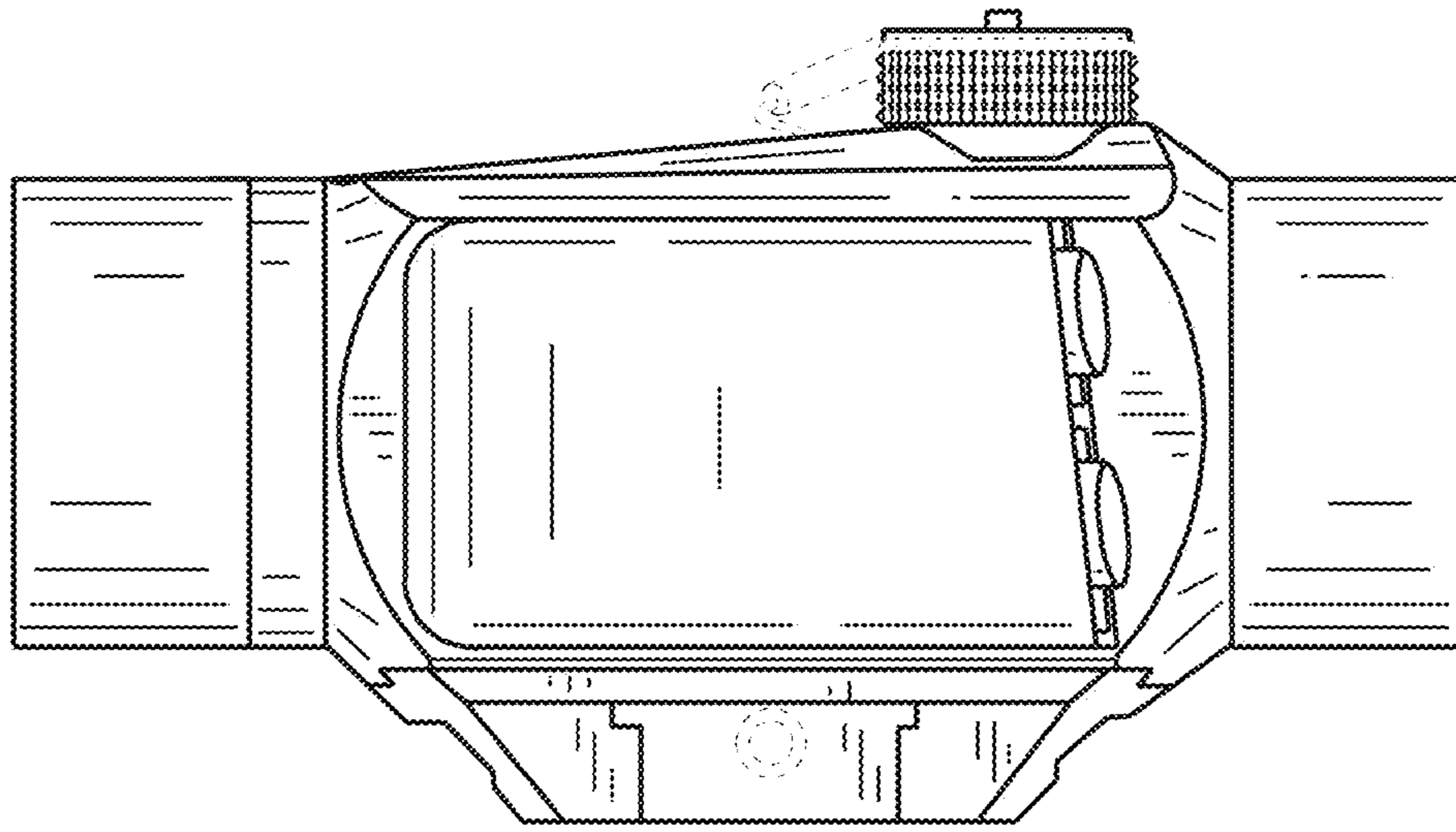


FIG. 10

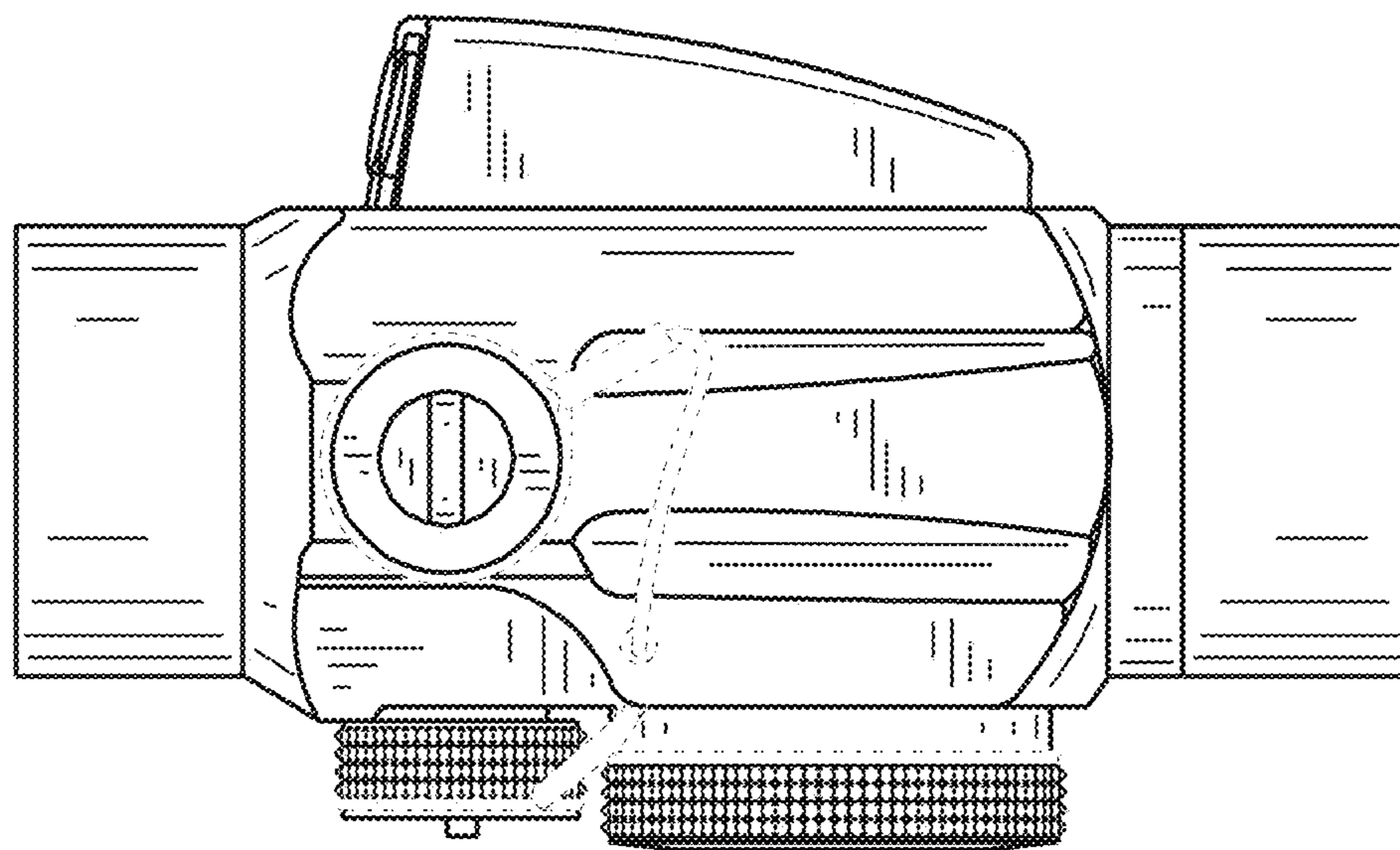


FIG. 11

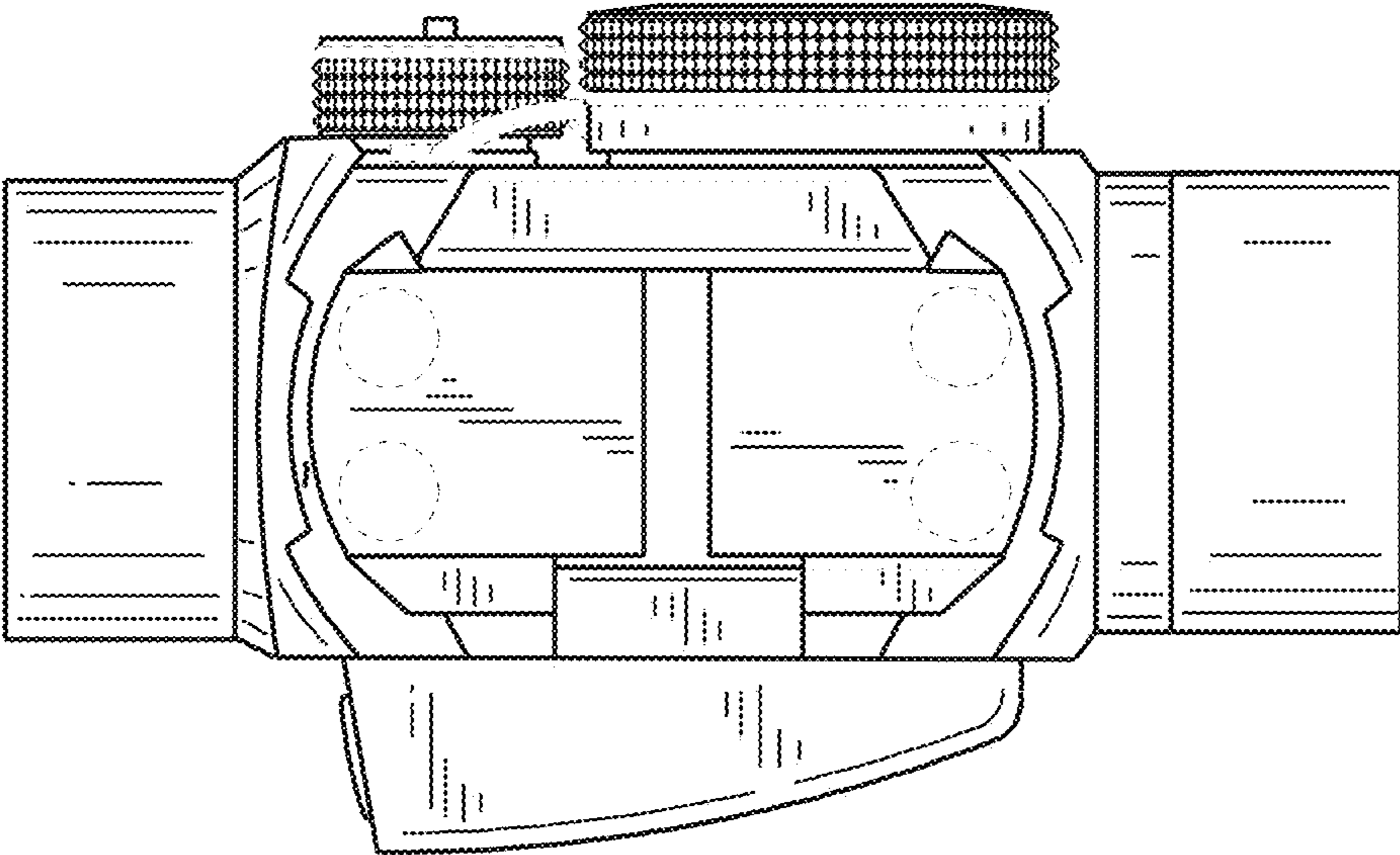


FIG. 12

FIG. 13

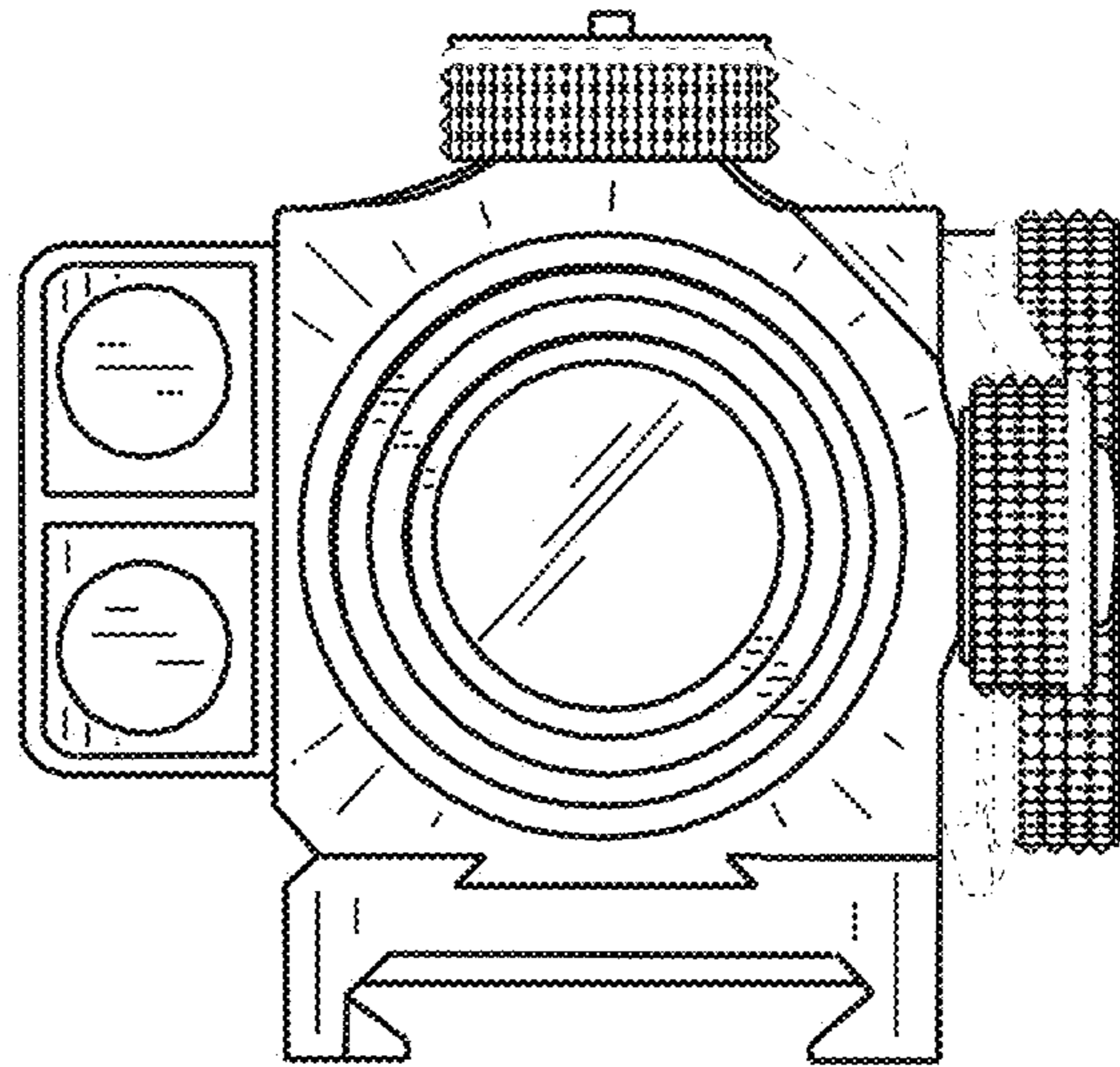


FIG. 14

