



US00D732135S

(12) **United States Design Patent**
Webber

(10) **Patent No.:** **US D732,135 S**
(45) **Date of Patent:** **** Jun. 16, 2015**

(54) **PISTOL GRIP**

(71) Applicant: **Stark Equipment Corp.**, Sanbornville, NH (US)

(72) Inventor: **Kevin A. Webber**, Deerfield, NH (US)

(73) Assignee: **Stark Equipment Corp.**, Deerfield, NH (US)

(**) Term: **14 Years**

(21) Appl. No.: **29/479,134**

(22) Filed: **Jan. 13, 2014**

(51) **LOC (10) Cl.** **22-01**

(52) **U.S. Cl.**
USPC **D22/108**

(58) **Field of Classification Search**
USPC D22/108; 362/109–114; 42/90, 94, 114,
42/117, 124–127, 131, 146
CPC F41C 23/10; F41C 23/14; F41C 23/16;
F41C 23/18

See application file for complete search history.

(56) **References Cited**

U.S. PATENT DOCUMENTS

7,356,958	B2 *	4/2008	Weir	42/69.01
7,673,412	B2 *	3/2010	Griffin	42/73
7,823,312	B2 *	11/2010	Faifer	42/49.02
D644,291	S *	8/2011	Faifer	D22/108
8,151,504	B1 *	4/2012	Aiston	42/71.02
D692,517	S *	10/2013	Faifer	D22/108
8,631,601	B2 *	1/2014	Langevin et al.	42/73
D705,887	S *	5/2014	Fitzpatrick et al.	D22/108
D722,125	S *	2/2015	Zayatz et al.	D22/108
2005/0183317	A1 *	8/2005	Finn	42/72
2009/0126249	A1 *	5/2009	Crommett	42/71.01

2010/0263254	A1 *	10/2010	Glock	42/71.02
2012/0180359	A1 *	7/2012	Fitzpatrick et al.	42/71.01
2013/0125442	A1 *	5/2013	Burress, Jr.	42/71.01

* cited by examiner

Primary Examiner — Michael A Pratt

(74) *Attorney, Agent, or Firm* — Schwegman Lundberg & Woessner, P.A.

(57) **CLAIM**

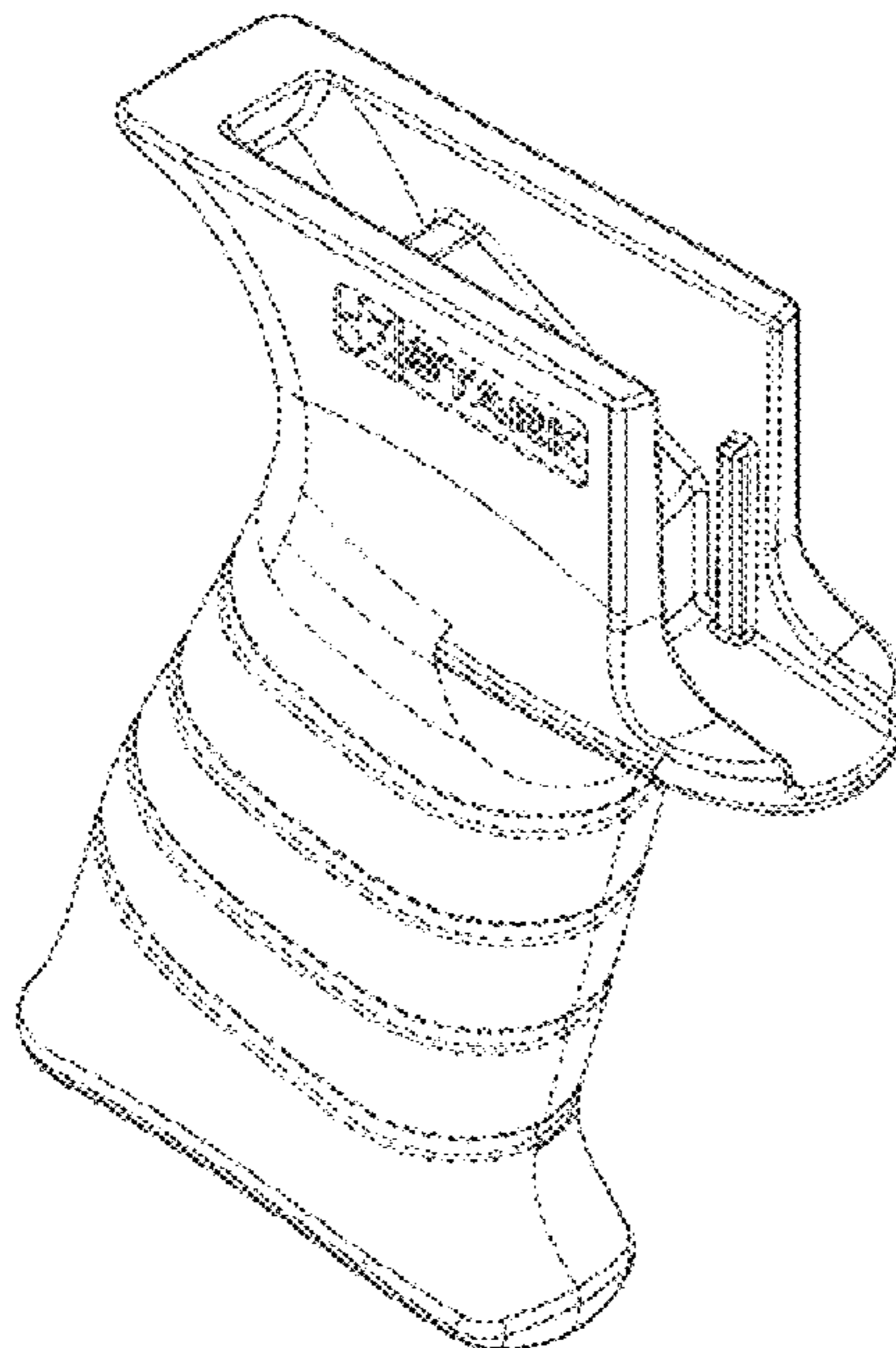
The ornamental design for a pistol grip, as shown and described.

DESCRIPTION

FIG. 1 is an isometric view of an embodiment of a pistol grip according to my design;
 FIG. 2 is another isometric view thereof;
 FIG. 3 is front view thereof;
 FIG. 4 is a rear view thereof;
 FIGS. 5 and 6 are side views thereof;
 FIG. 7 is a top view thereof;
 FIG. 8 is a bottom view thereof;
 FIG. 9 is an isometric view of an embodiment of a pistol grip according to my design;
 FIG. 10 is another isometric view thereof;
 FIG. 11 is front view thereof;
 FIG. 12 is a rear view thereof;
 FIGS. 13 and 14 are side views thereof;
 FIG. 15 is a top view thereof; and,
 FIG. 16 is a bottom view thereof.

Broken lines having repeated short dashes in the Figures are for illustrative purposes only and form no part of the claimed design. Shade lines having a combination of long and short lines in the Figures show contour and not surface ornamentation.

1 Claim, 12 Drawing Sheets



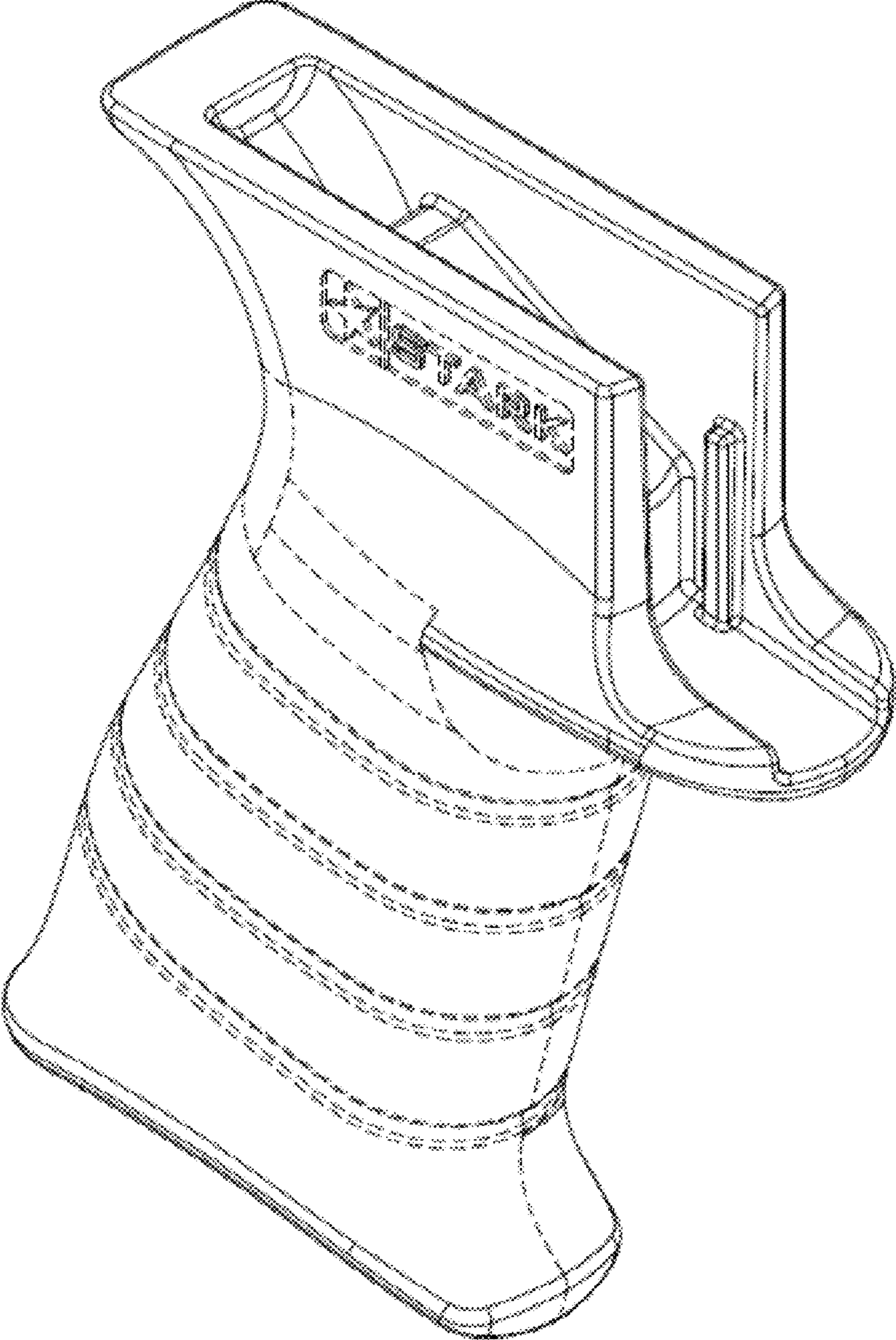


Figure 1

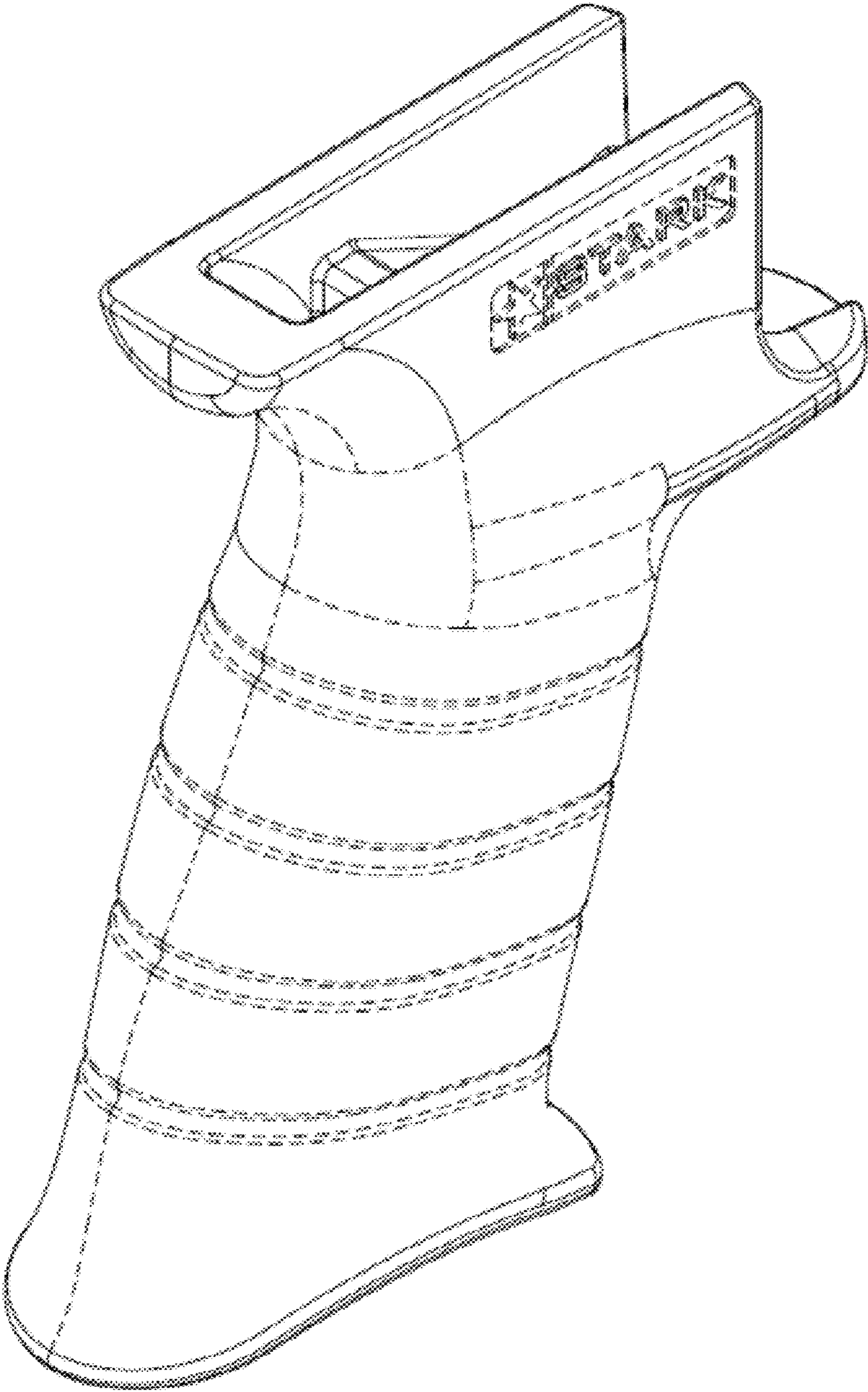


Figure 2

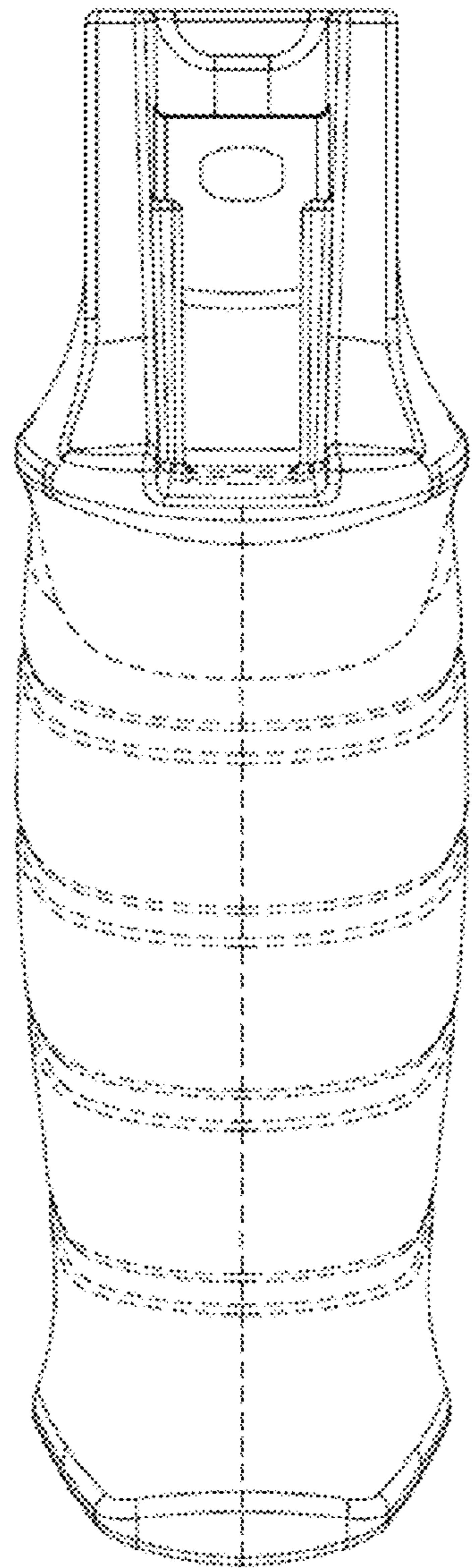


Figure 3

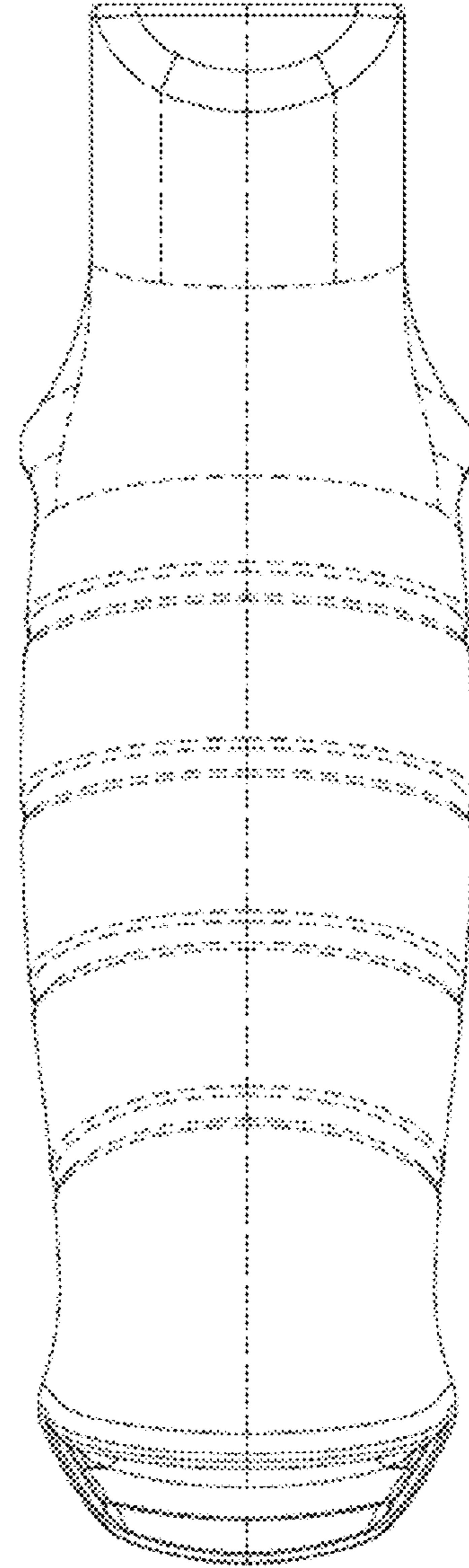


Figure 4

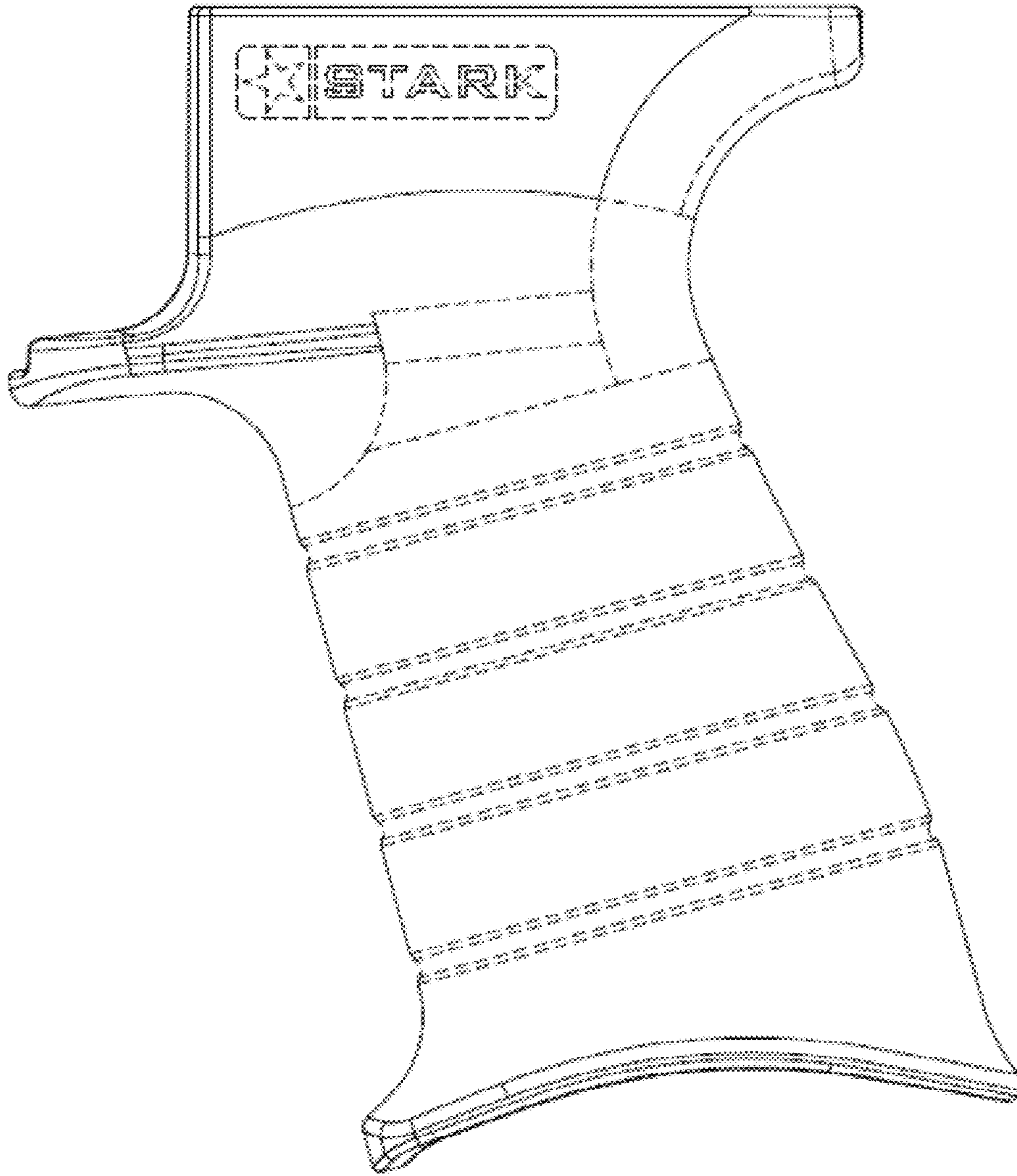


Figure 5

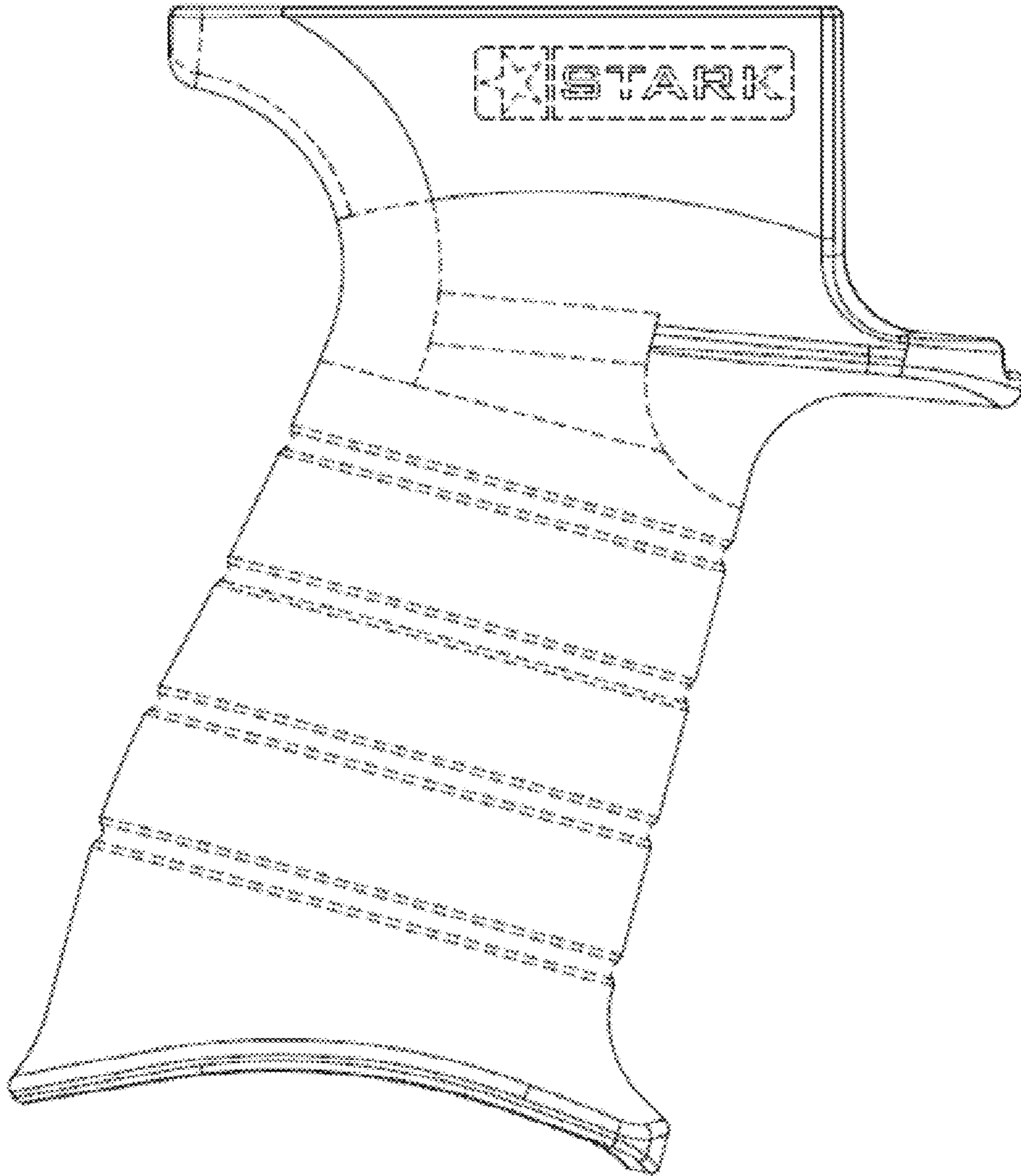


Figure 6

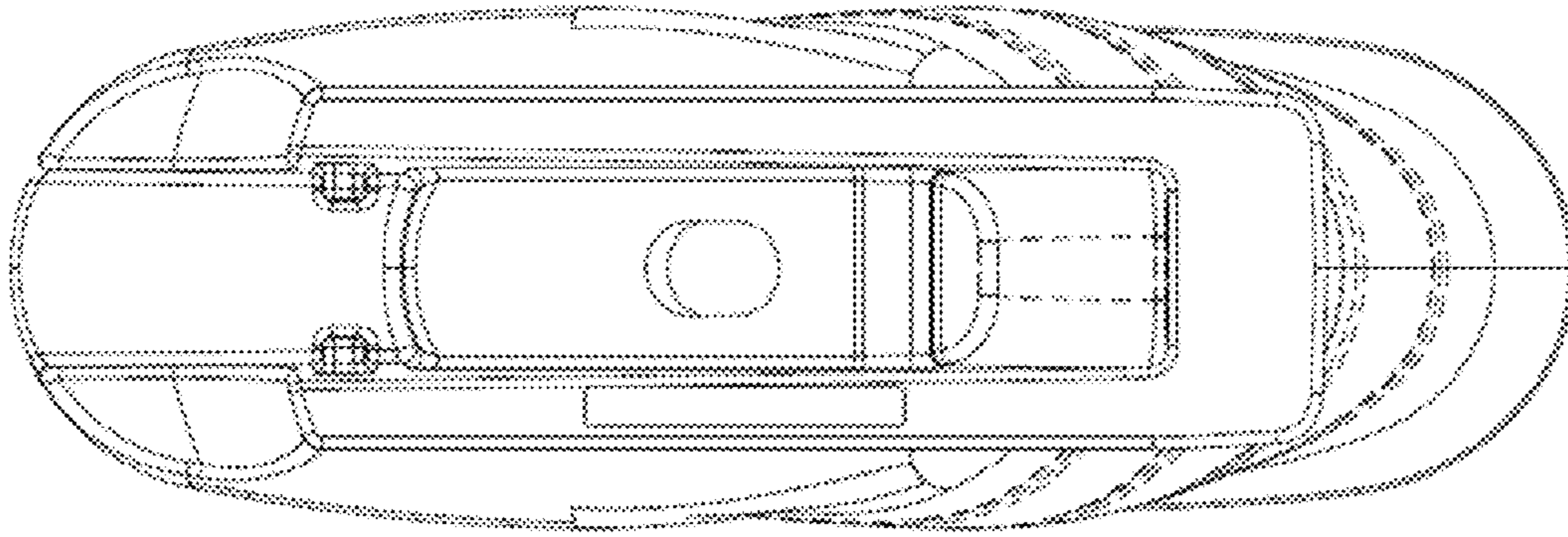


Figure 7

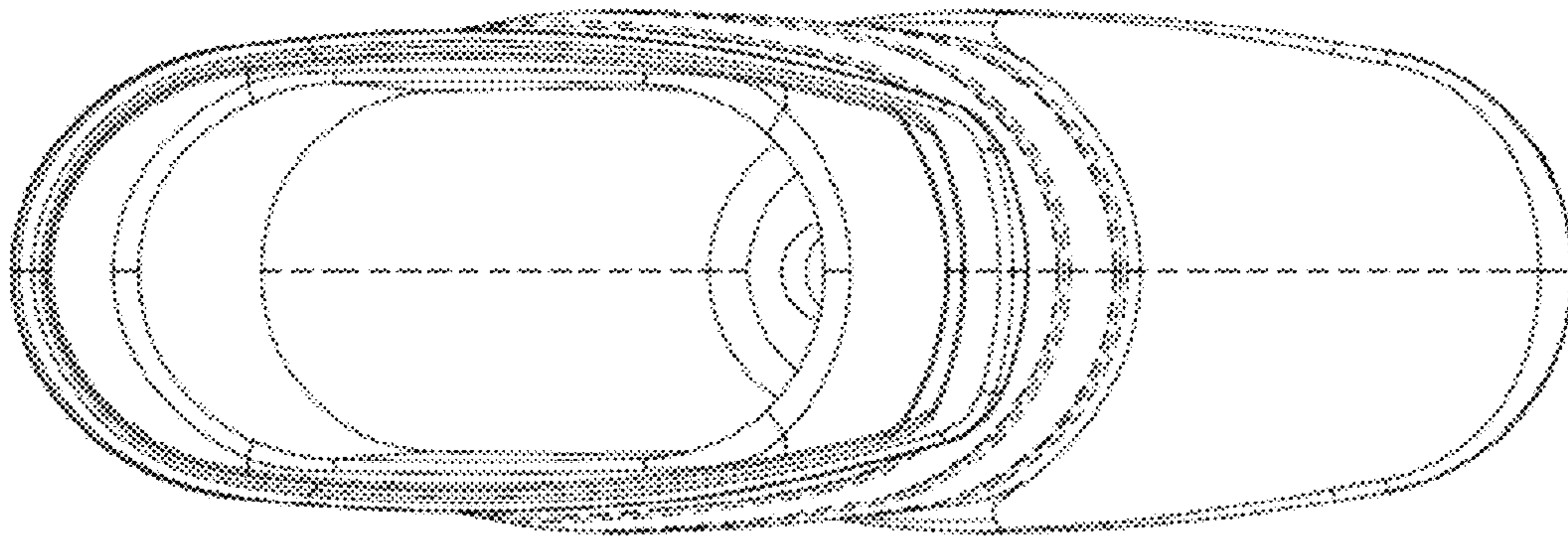


Figure 8

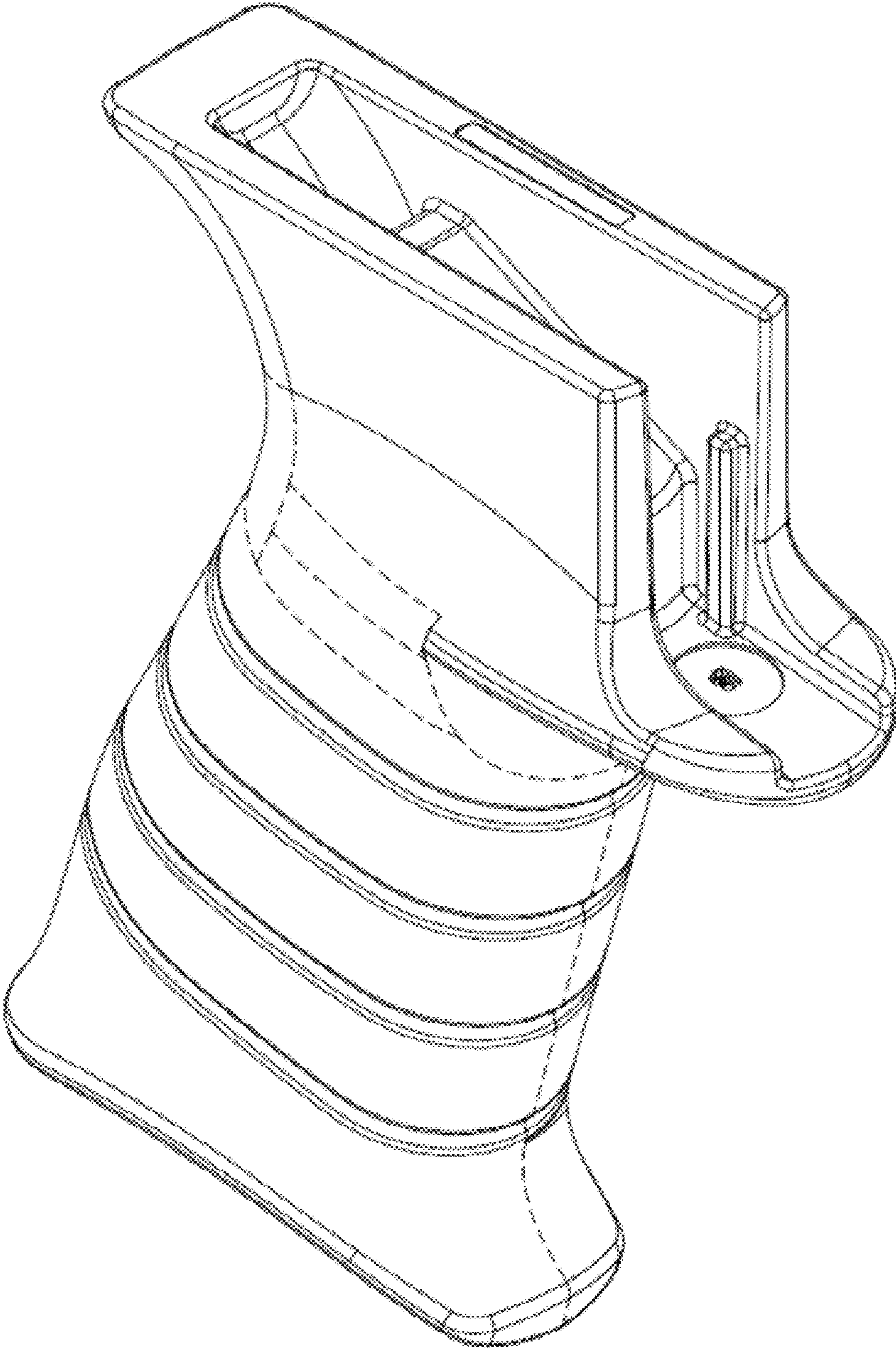


Figure 9

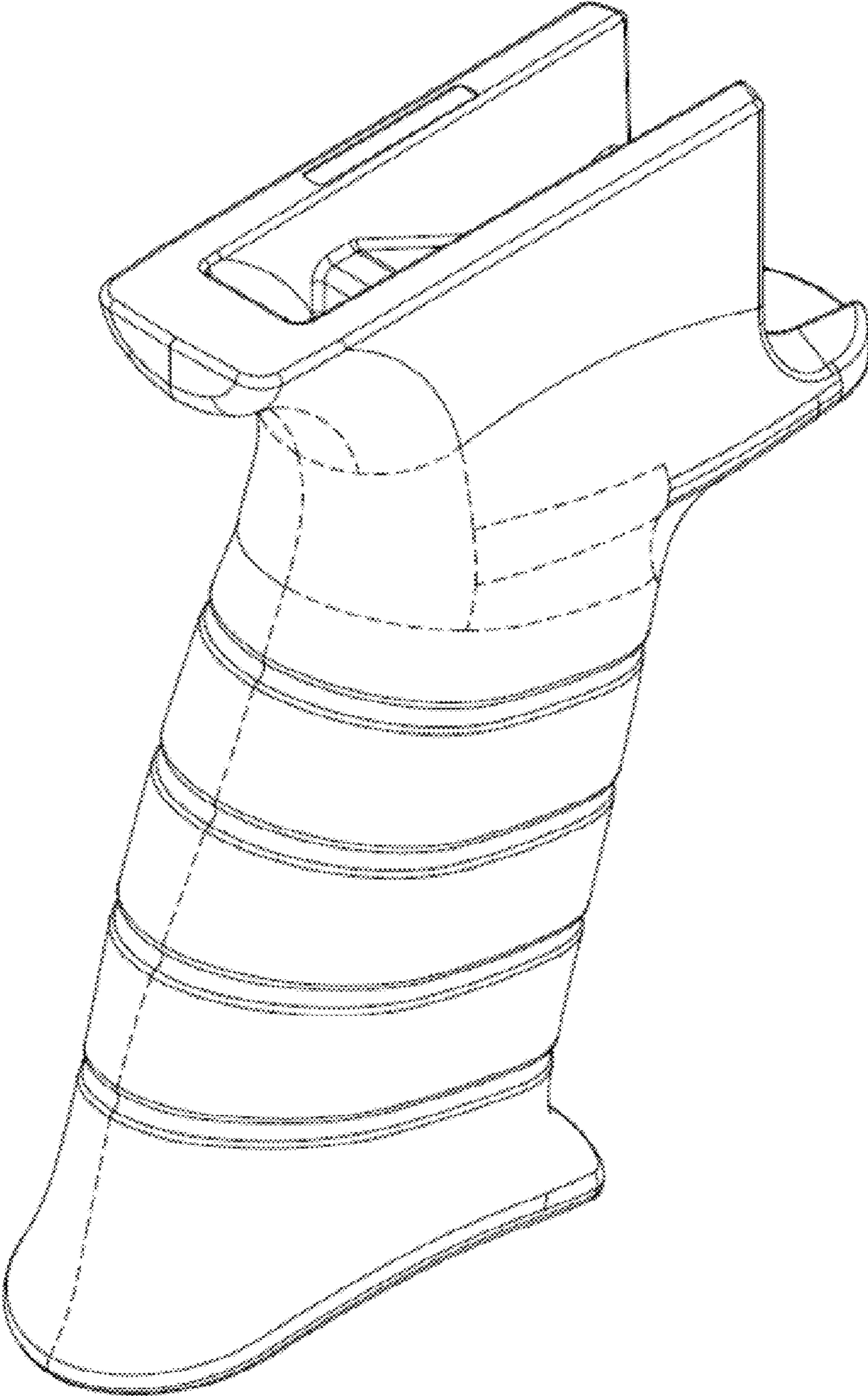


Figure 10

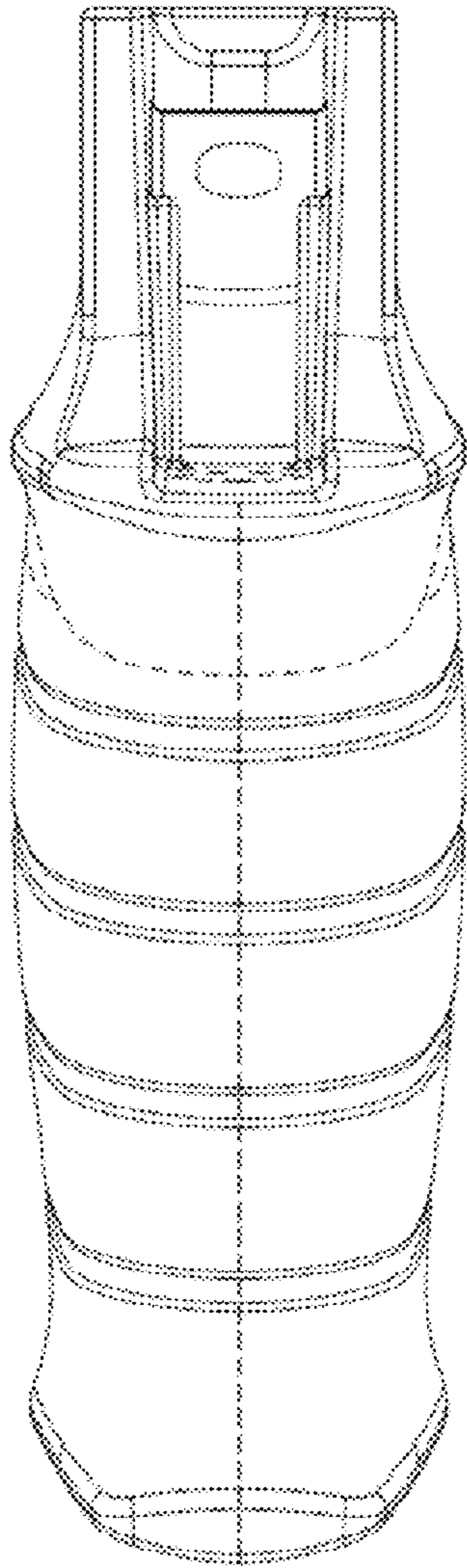


Figure 11

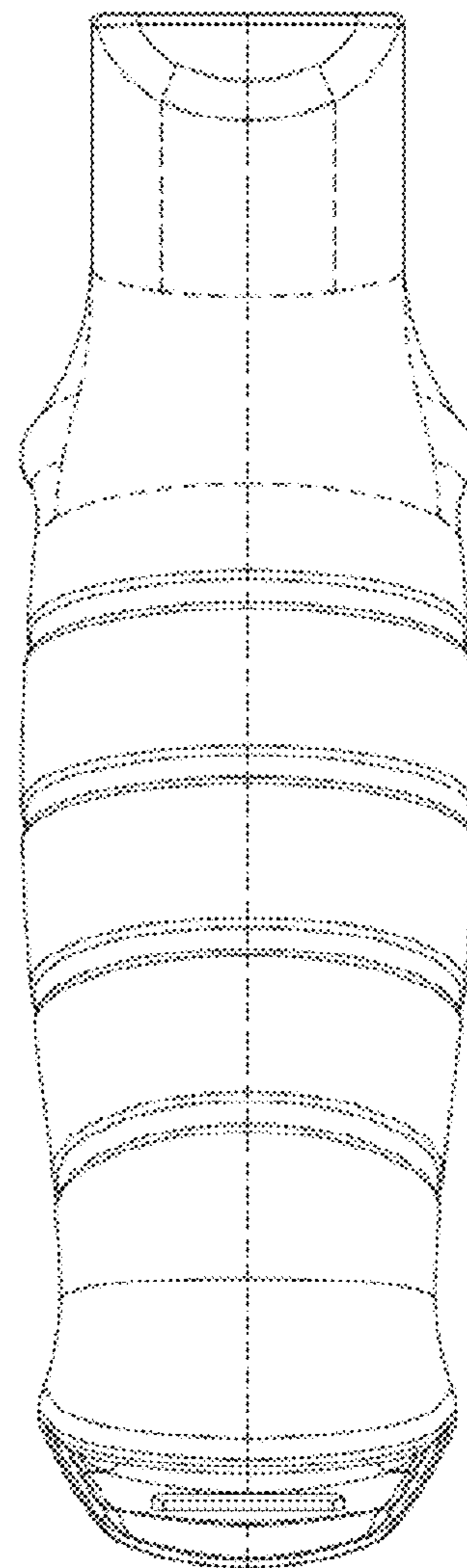


Figure 12

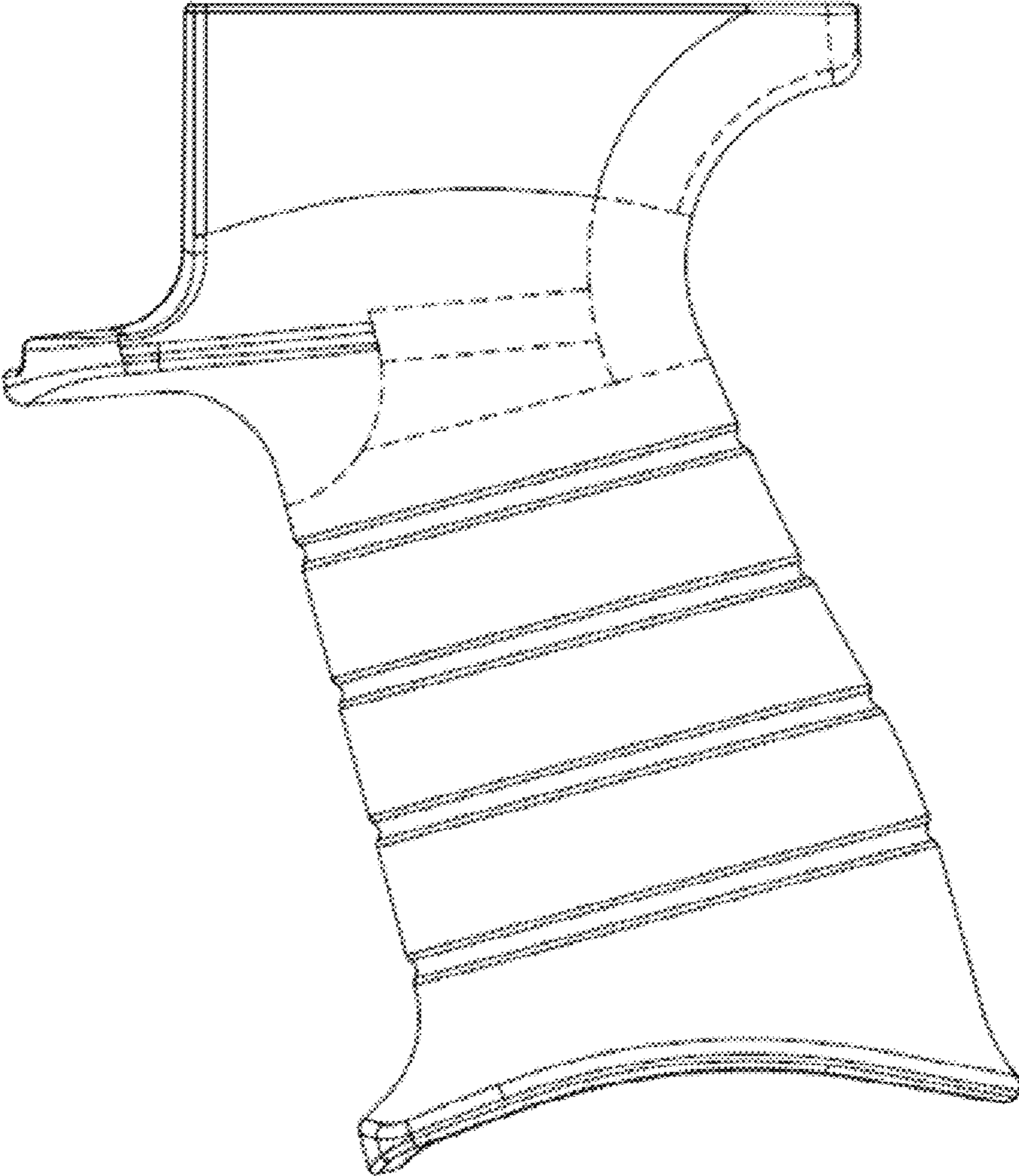


Figure 13

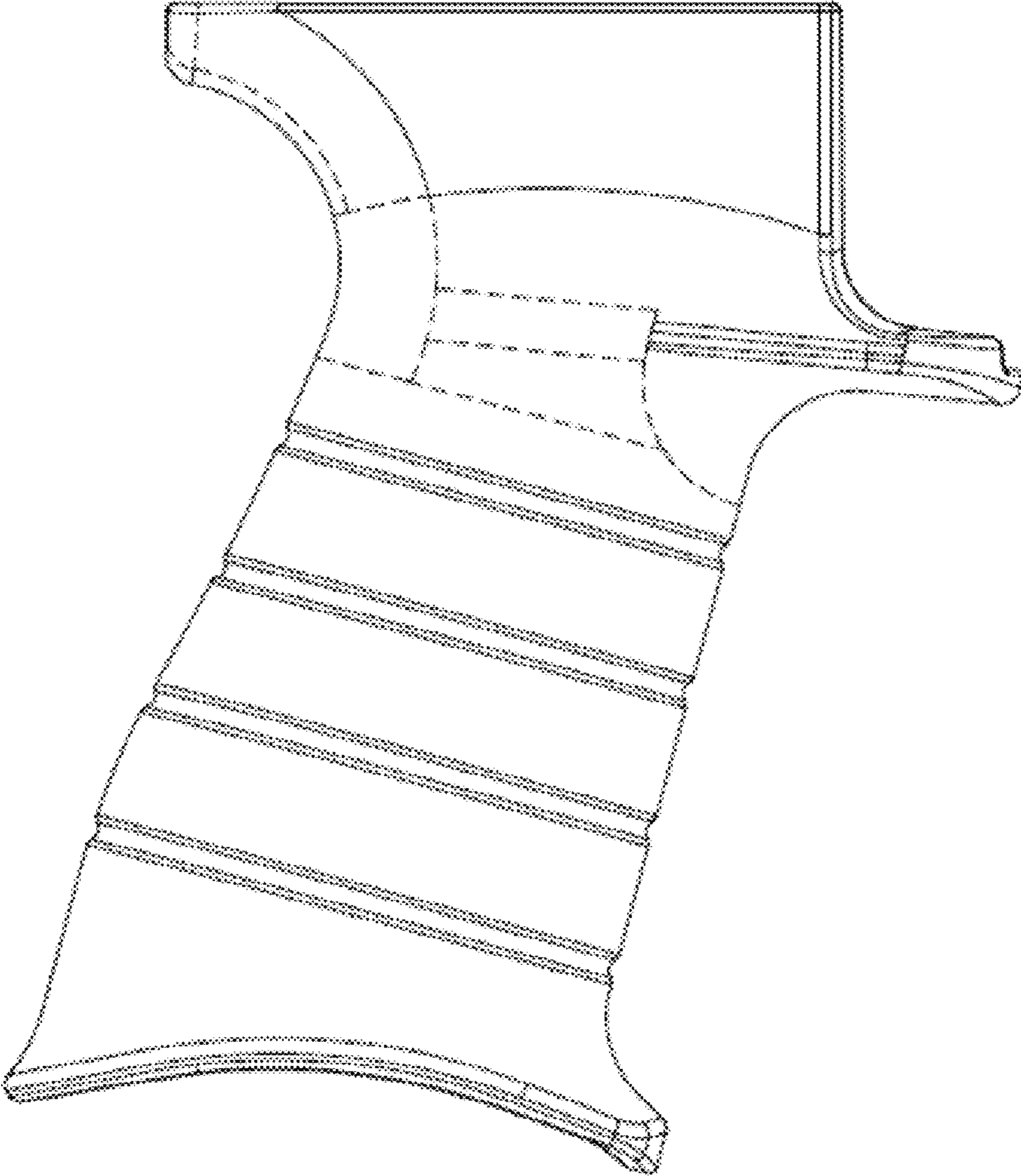


Figure 14

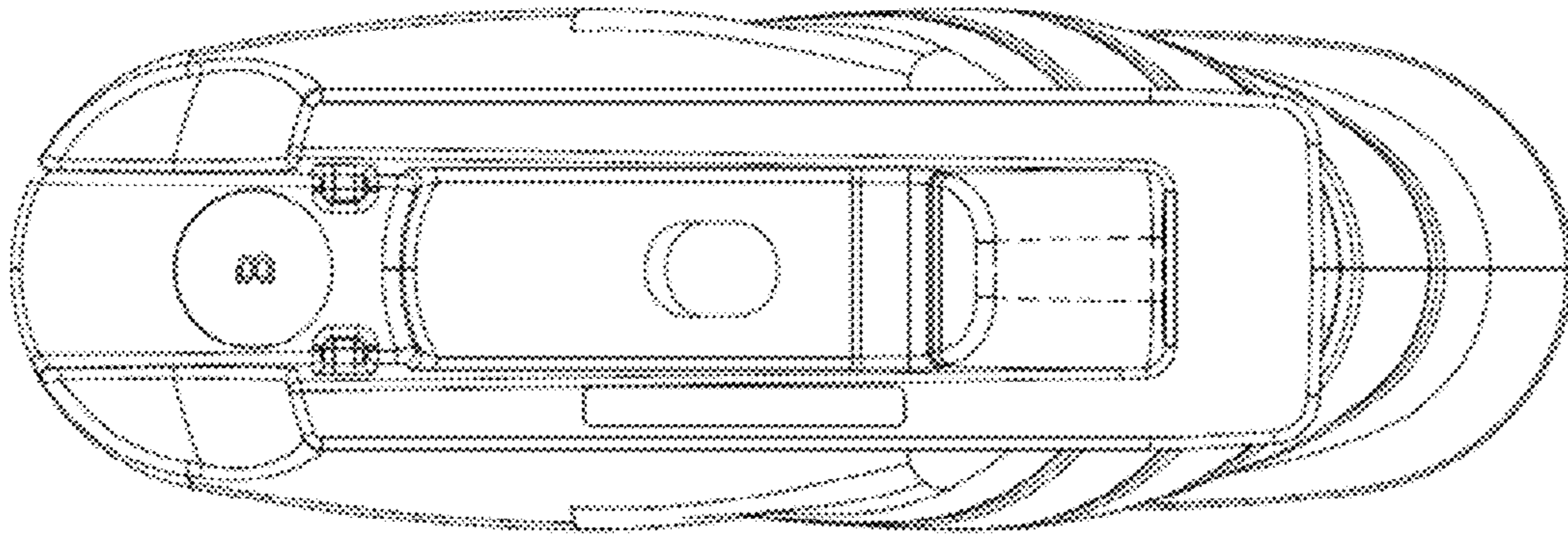


Figure 15

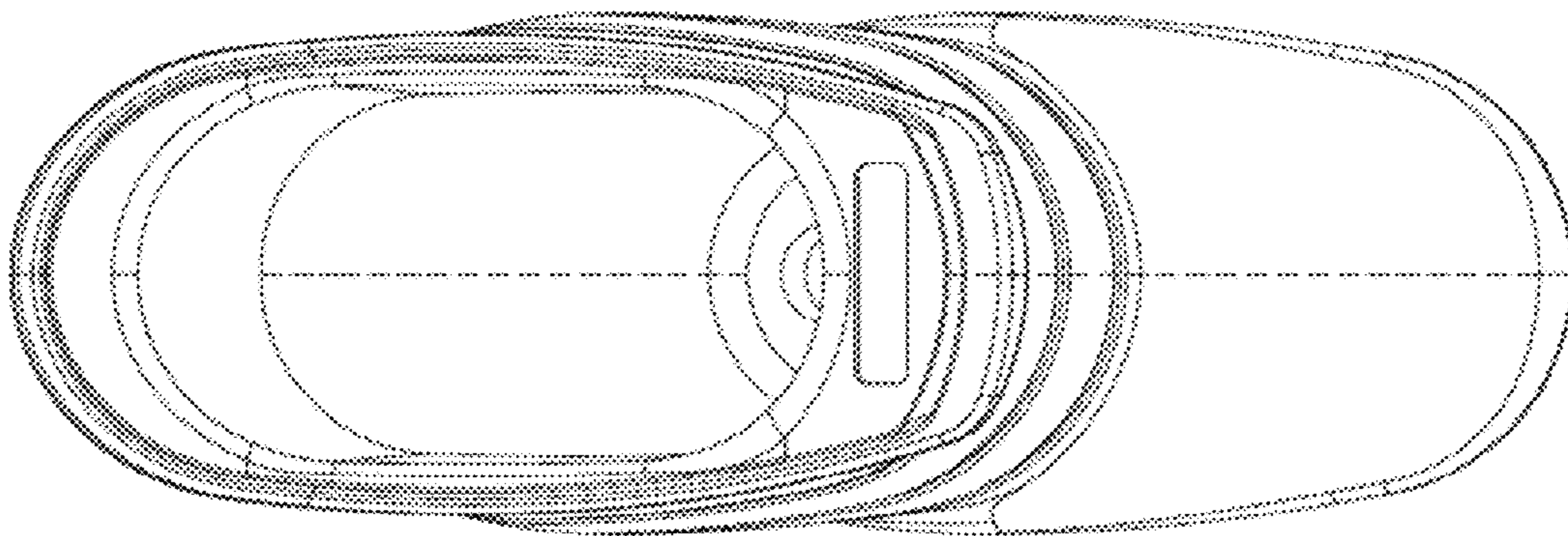


Figure 16