



US00D732134S

(12) **United States Design Patent**
Wells

(10) **Patent No.:** **US D732,134 S**
(45) **Date of Patent:** **** Jun. 16, 2015**

- (54) **LIGHTING DEVICE**
- (71) Applicant: **SureFire, LLC**, Fountain Valley, CA (US)
- (72) Inventor: **William Wells**, Costa Mesa, CA (US)
- (73) Assignee: **SureFire, LLC**, Fountain Valley, CA (US)
- (**) Term: **14 Years**
- (21) Appl. No.: **29/478,936**
- (22) Filed: **Jan. 9, 2014**
- (51) **LOC (10) Cl.** **22-01**
- (52) **U.S. Cl.**
USPC **D22/108**
- (58) **Field of Classification Search**
USPC D22/108; D26/37, 46, 47, 48, 49;
362/157–158, 183, 184, 190, 194, 195,
362/196, 197, 202–208
CPC F41G 1/32; F41G 1/34; F41G 1/345;
F41G 1/35
See application file for complete search history.

7,441,364	B2 *	10/2008	Rogers et al.	42/146
D581,586	S	11/2008	Conroy		
D585,516	S	1/2009	Smith		
7,493,722	B2	2/2009	Howe et al.		
7,576,515	B2	8/2009	Greenslade		
D600,772	S	9/2009	Swan		
7,591,098	B2 *	9/2009	Matthews et al.	42/85
7,614,760	B2	11/2009	Sharrah et al.		
D612,970	S	3/2010	Sharrah et al.		
D616,956	S	6/2010	Hamilton		
7,731,380	B2	6/2010	Wu		
7,735,255	B1	6/2010	Kincaid et al.		
D628,323	S	11/2010	Matthews et al.		
D628,324	S	11/2010	Matthews et al.		
7,905,624	B2	3/2011	Bushee et al.		
D674,858	S *	1/2013	Galli	D22/108
8,371,729	B2 *	2/2013	Sharrah et al.	362/439
8,387,294	B2 *	3/2013	Bolden	42/1.01
D709,158	S	7/2014	Wells		
D712,001	S *	8/2014	Wells	D22/108
2004/0068913	A1	4/2004	Solinsky et al.		

(Continued)

Primary Examiner — Michael A Pratt
(74) *Attorney, Agent, or Firm* — Haynes and Boone, LLP

(57) **CLAIM**
The ornamental design for a lighting device, as shown and described.

(56) **References Cited**

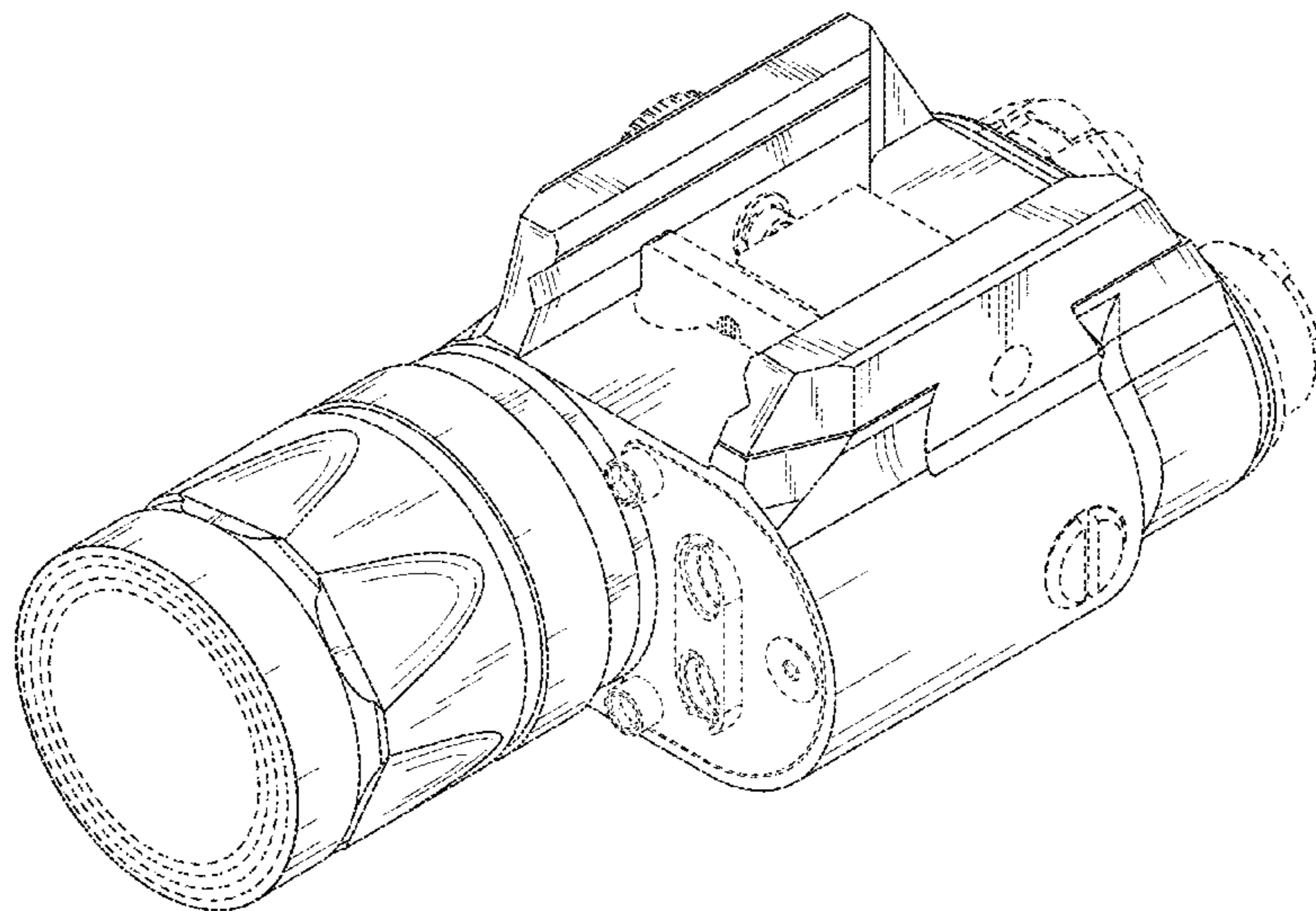
U.S. PATENT DOCUMENTS

D95,274	S	4/1935	Levy		
4,856,218	A *	8/1989	Reynolds, Jr.	42/146
5,430,967	A	7/1995	Woodman, III et al.		
D398,410	S	9/1998	Fell et al.		
5,913,669	A *	6/1999	Hansen et al.	42/146
6,073,901	A *	6/2000	Richter	248/316.4
6,526,688	B1	3/2003	Danielson et al.		
7,117,624	B2 *	10/2006	Kim	42/85
7,188,978	B2 *	3/2007	Sharrah et al.	362/396
7,225,578	B2	6/2007	Tai		
D548,385	S	8/2007	Sharrah et al.		
D567,894	S	4/2008	Sterling et al.		
D568,508	S	5/2008	Howe et al.		
D578,599	S	10/2008	Cheng		

DESCRIPTION

FIG. 1 is a front perspective view of a lighting device showing my new design;
FIG. 2 is a rear perspective view thereof;
FIG. 3 is a left side elevational view thereof;
FIG. 4 is a right side elevational view thereof;
FIG. 5 is a top plan view thereof;
FIG. 6 is a bottom plan view thereof;
FIG. 7 is a front side elevational view thereof; and,
FIG. 8 is a rear side elevational view thereof.
The broken lines in the drawings illustrate environmental features and form no part of the claimed design.

1 Claim, 8 Drawing Sheets



(56)

References Cited

U.S. PATENT DOCUMENTS

2007/0227056 A1	10/2007	Howe et al.	2008/0134562 A1	6/2008	Teetzel
2007/0240355 A1*	10/2007	Hsu	2009/0122527 A1	5/2009	Galli
		42/115	2010/0164401 A1	7/2010	Matthews et al.

* cited by examiner

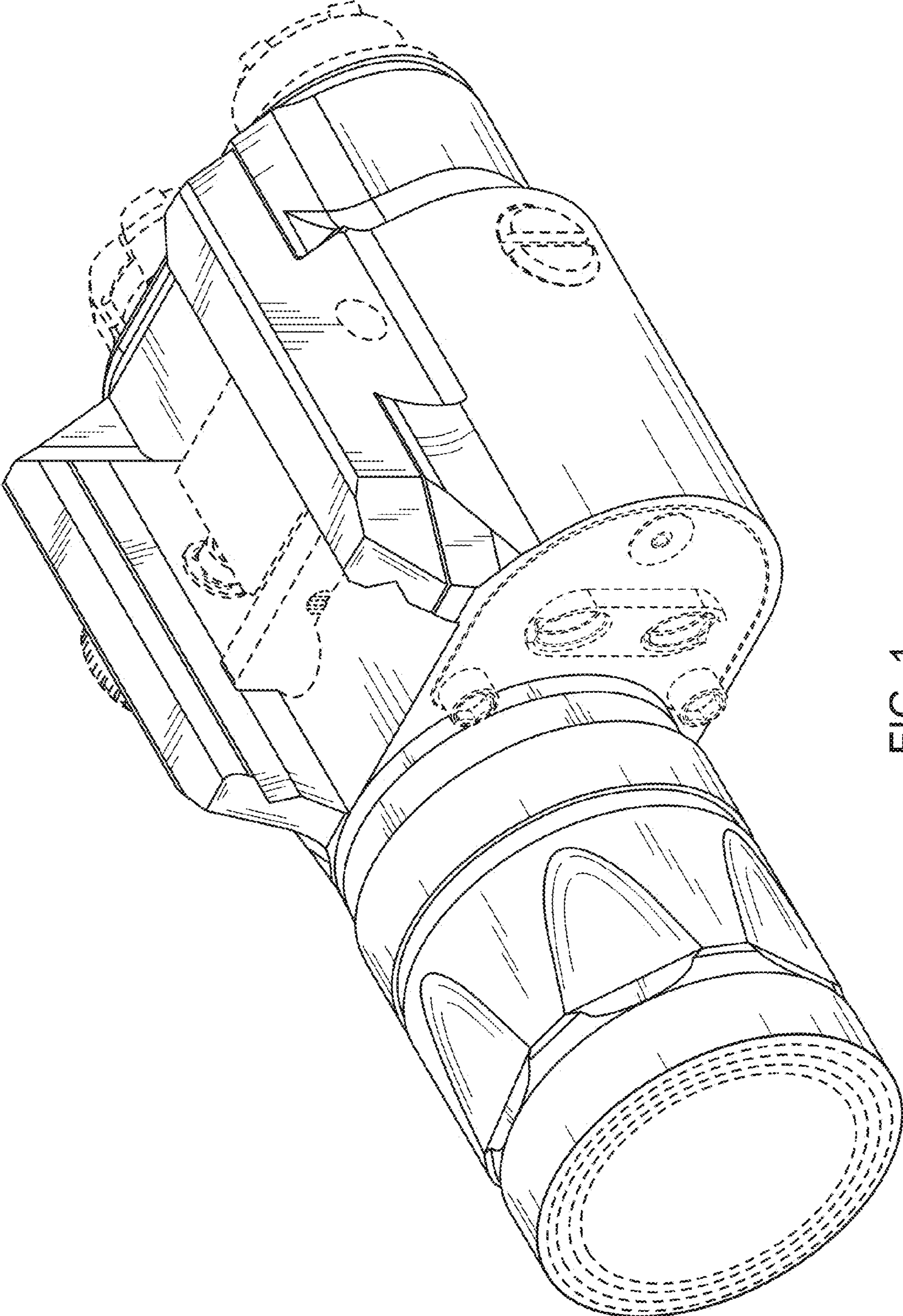


FIG. 1

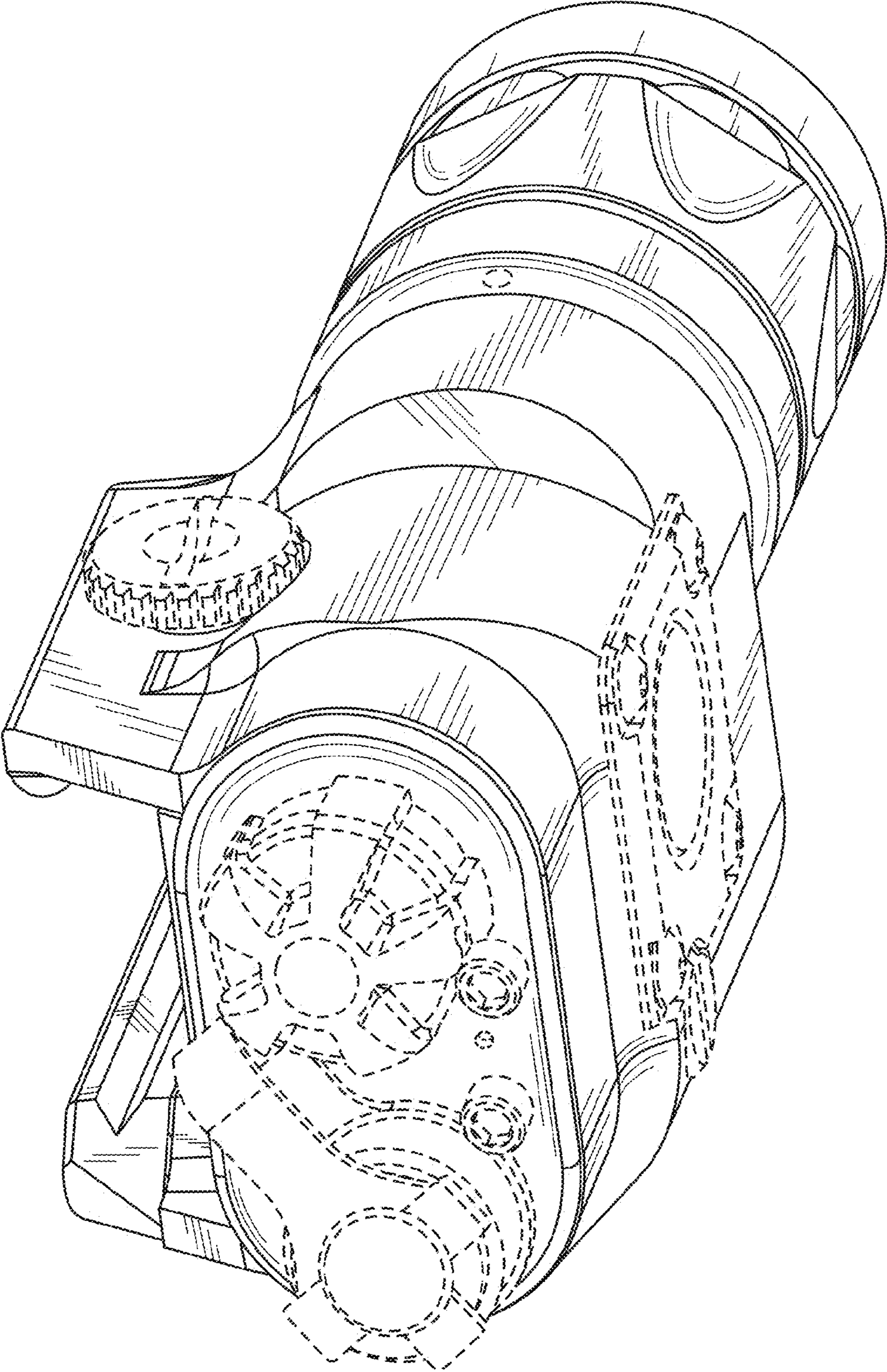


FIG. 2

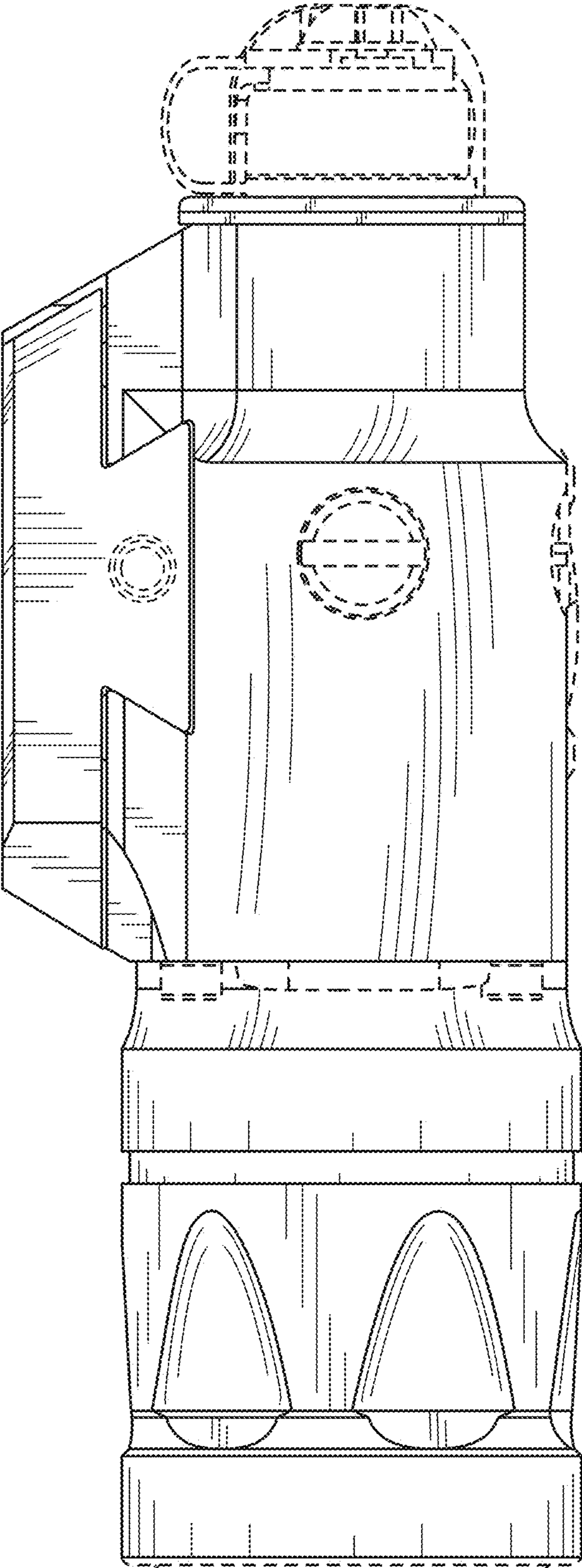


FIG. 3

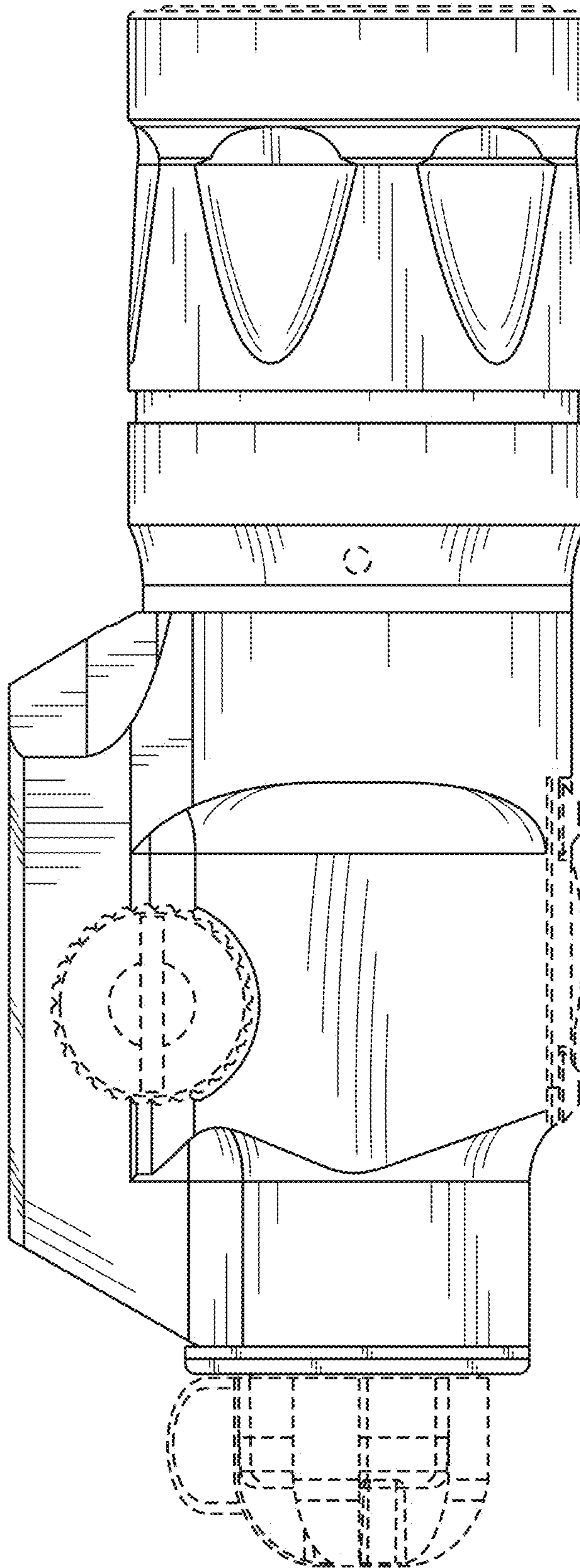


FIG. 4

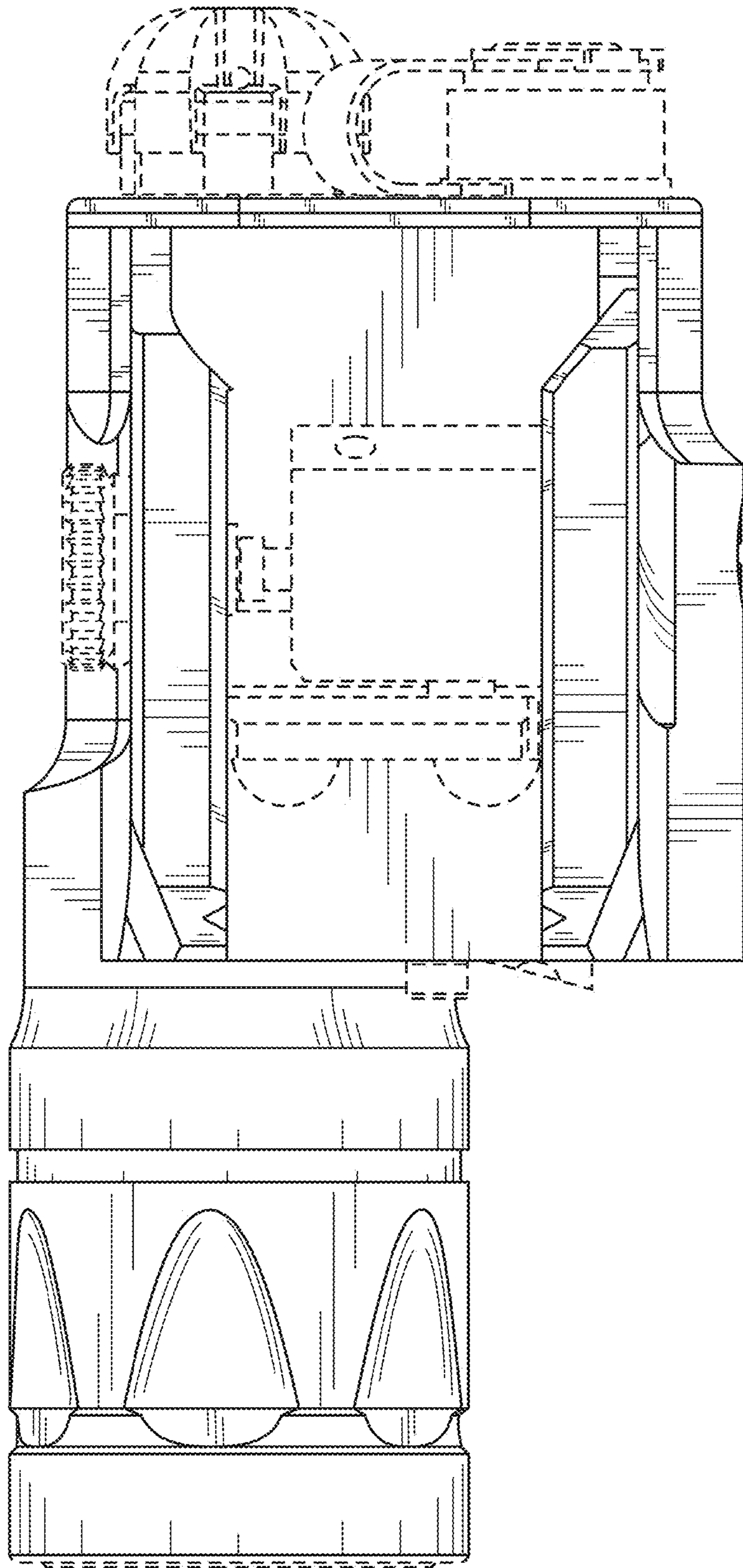


FIG. 5

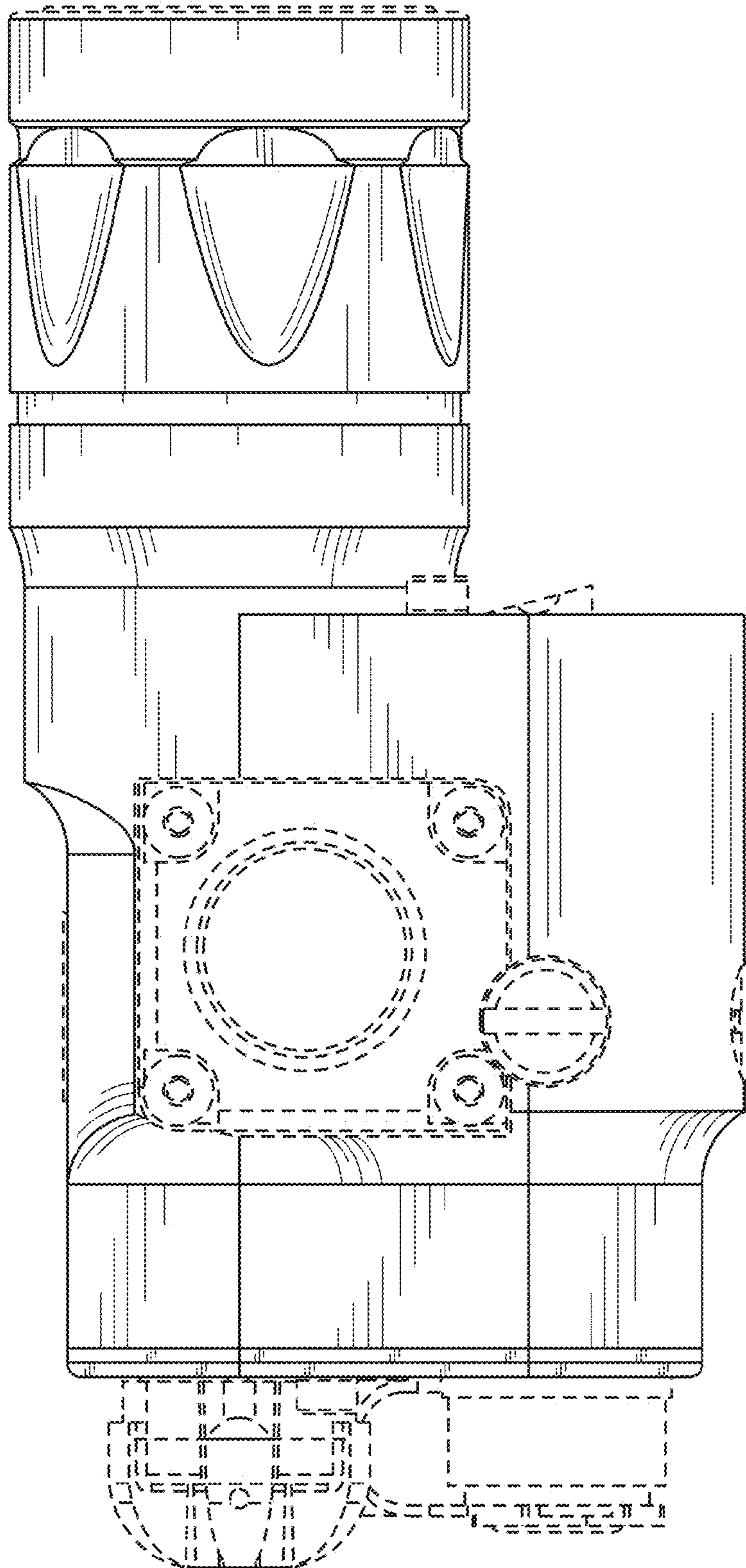


FIG. 6

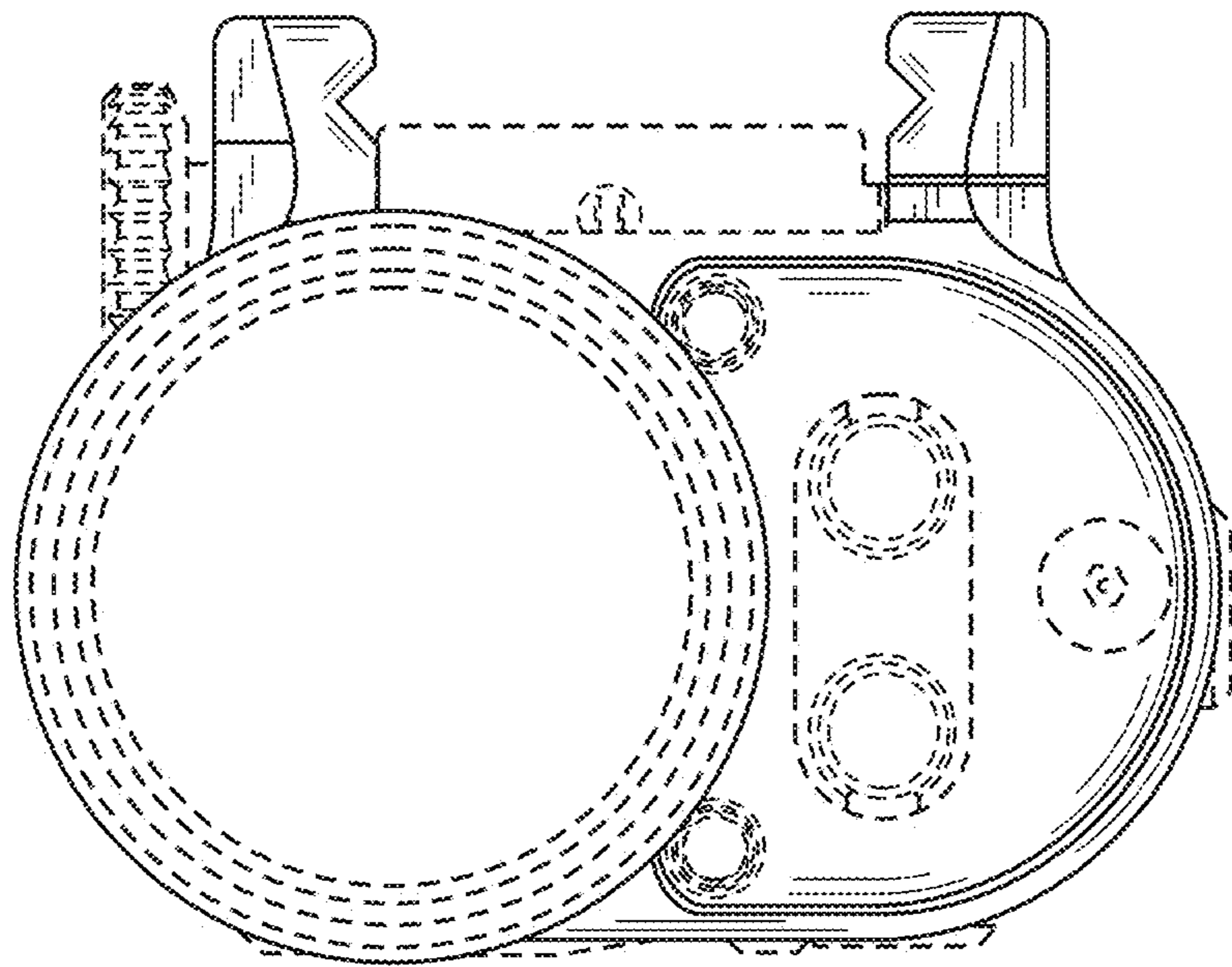


FIG. 7

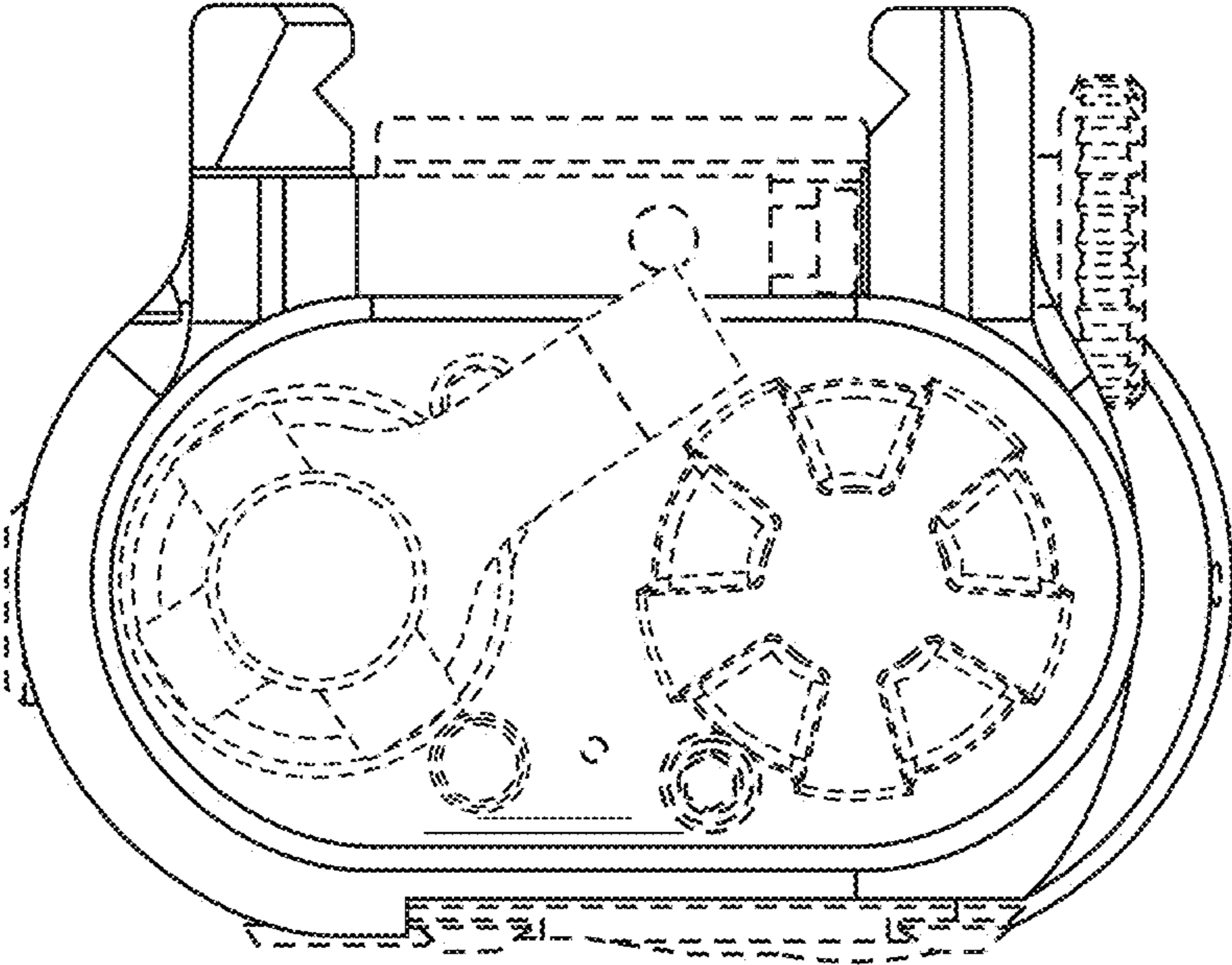


FIG. 8