



US00D732132S

(12) **United States Design Patent**
Seubert et al.

(10) **Patent No.:** **US D732,132 S**
(45) **Date of Patent:** **** Jun. 16, 2015**

(54) **INFLATABLE ARCH**
(71) Applicants: **Marc Seubert**, Groedig (AT); **Philipp Guenther**, Hamburg (DE)
(72) Inventors: **Marc Seubert**, Groedig (AT); **Philipp Guenther**, Hamburg (DE)
(73) Assignee: **RED BULL GMBH**, Fuschl am See (AT)

(**) Term: **14 Years**
(21) Appl. No.: **29/488,064**
(22) Filed: **Apr. 15, 2014**

(30) **Foreign Application Priority Data**
Oct. 17, 2013 (EM) 002328567-0001
(51) **LOC (10) Cl.** **21-03**
(52) **U.S. Cl.**
USPC **D21/811**
(58) **Field of Classification Search**
USPC D21/811, 812, 814, 835; D20/10, 99;
40/212, 217, 610; 446/220-226;
52/2.18
See application file for complete search history.

(56) **References Cited**
U.S. PATENT DOCUMENTS
D355,677 S * 2/1995 Taylor D20/10
5,402,591 A * 4/1995 Lee 40/610

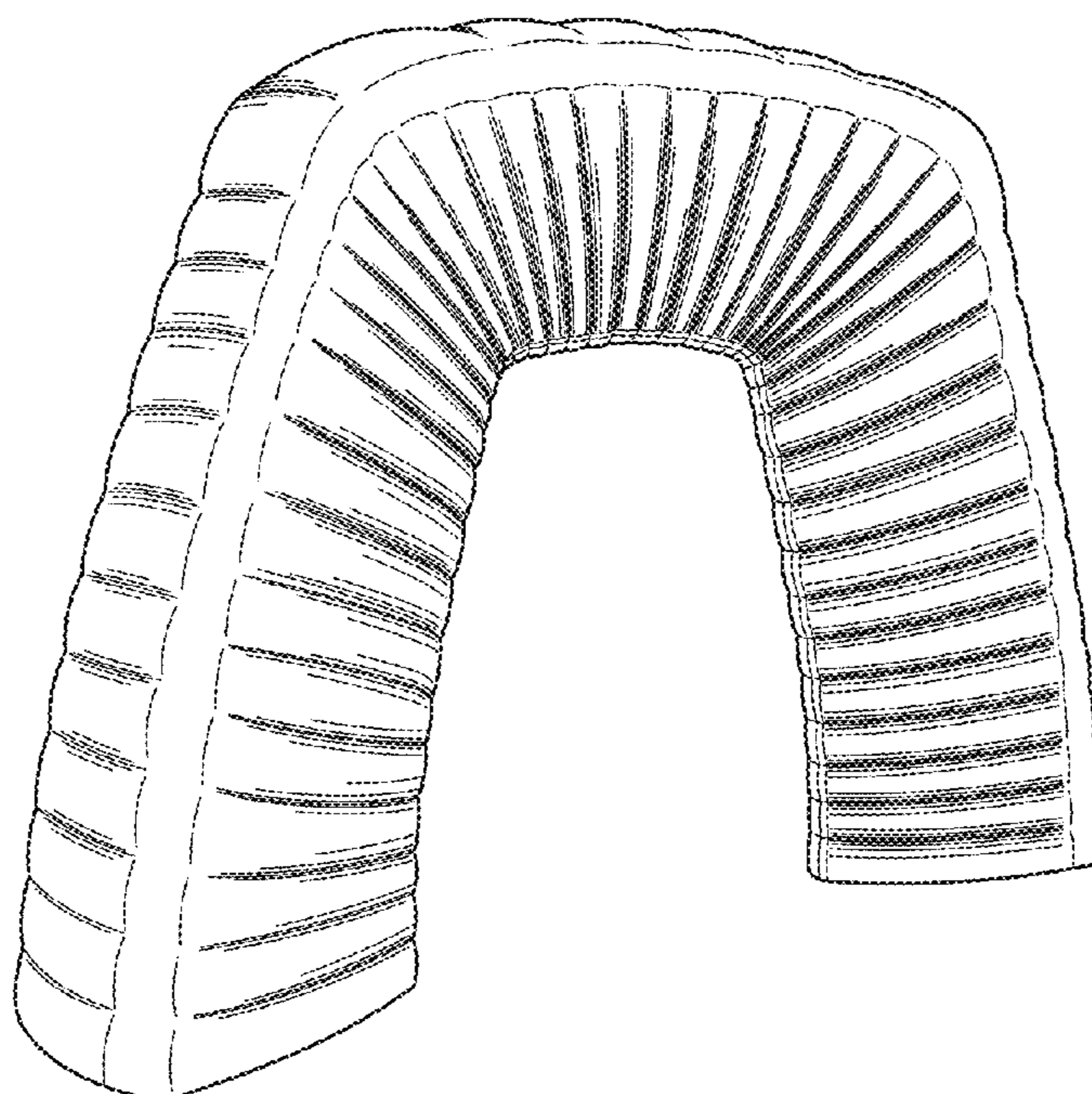
5,570,544 A * 11/1996 Hale et al. 52/2.18
D411,020 S * 6/1999 Cotton et al. D25/102
D422,667 S * 4/2000 Lau D21/814
6,186,857 B1 * 2/2001 Gazit et al. 446/226
6,668,475 B2 * 12/2003 Carolan 40/610
7,231,739 B2 * 6/2007 Scherba 52/2.18
7,335,109 B2 * 2/2008 Chen 472/134
D608,406 S * 1/2010 Cobb et al. D21/835
D639,886 S * 6/2011 Cirjak et al. D21/811

* cited by examiner
Primary Examiner — Mitchell Siegel
(74) *Attorney, Agent, or Firm* — TechMark a Law Corp.;
Martin R. Greenstein

(57) **CLAIM**
The ornamental design for an inflatable arch, as shown and described.

DESCRIPTION
FIG. 1 is a perspective view of the inflatable arch according to the present invention;
FIG. 2 is a front view of the inflatable arch as shown in FIG. 1; the undisclosed rear being identical;
FIG. 3 is a left side view of the inflatable arch as shown in FIG. 1; the undisclosed right side being identical;
FIG. 4 is a top view of the inflatable arch as shown in FIG. 1; and,
FIG. 5 is a bottom view of the inflatable arch as shown in FIG. 1.

1 Claim, 5 Drawing Sheets



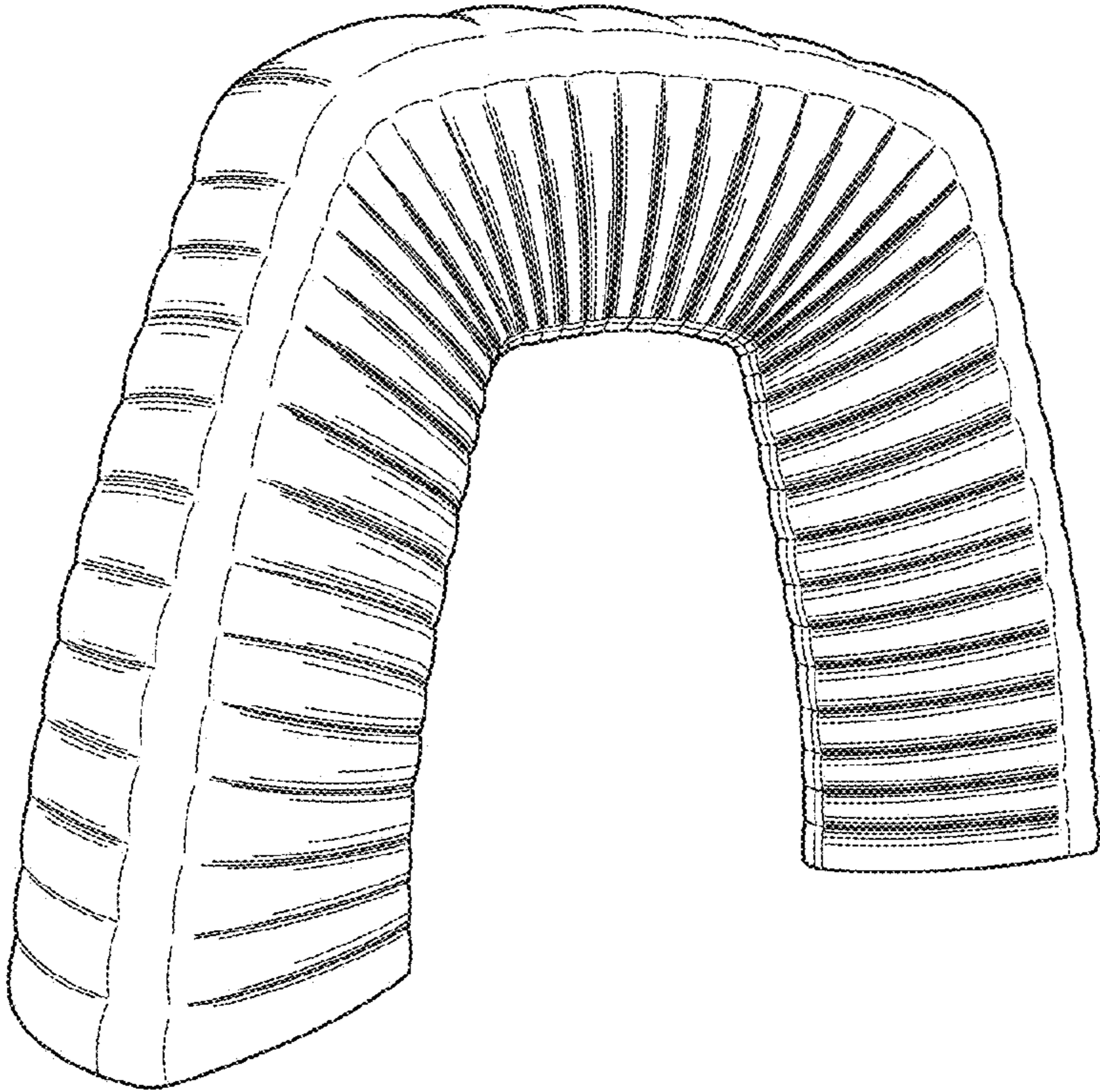


FIG. 1

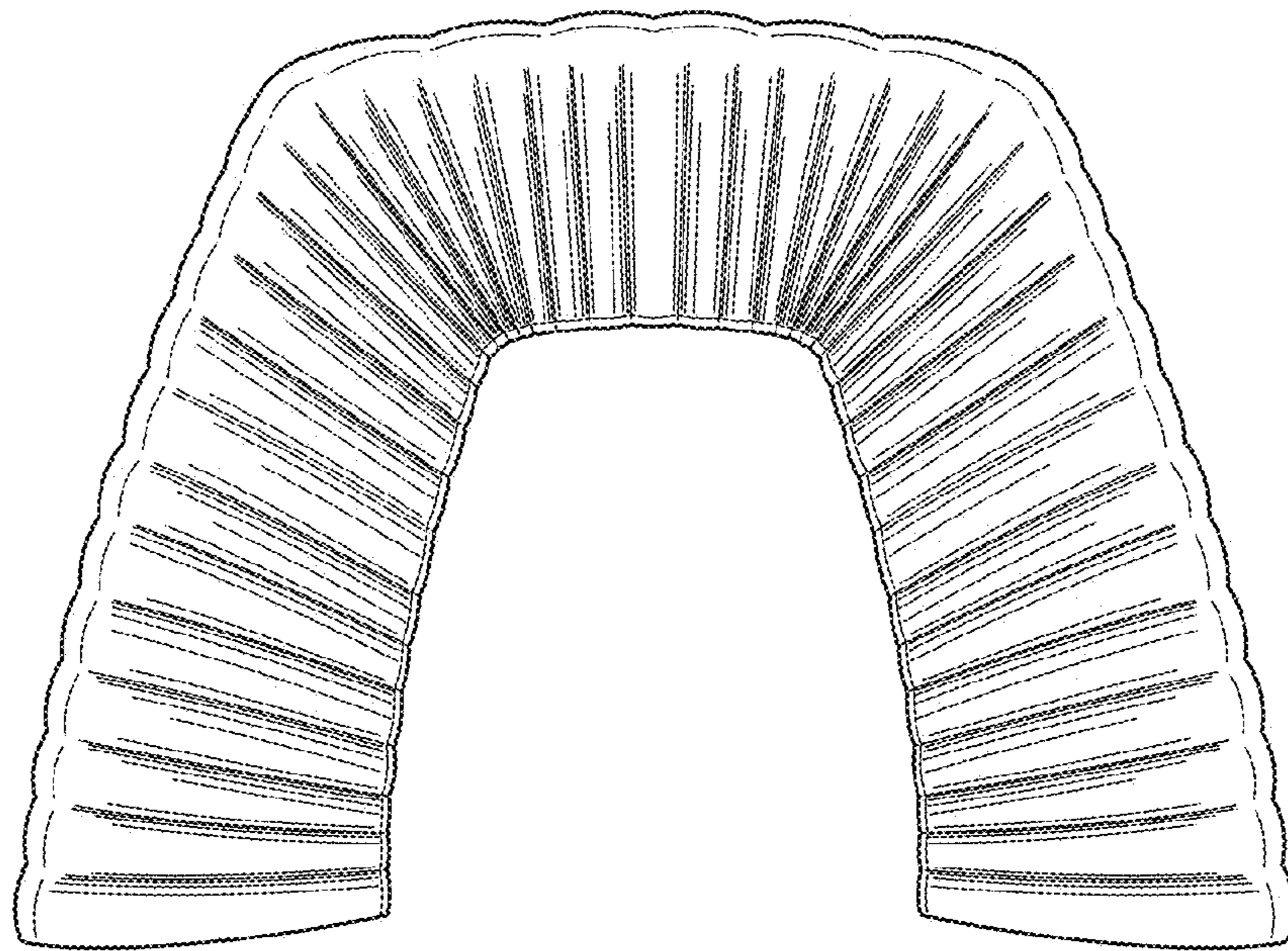


FIG. 2

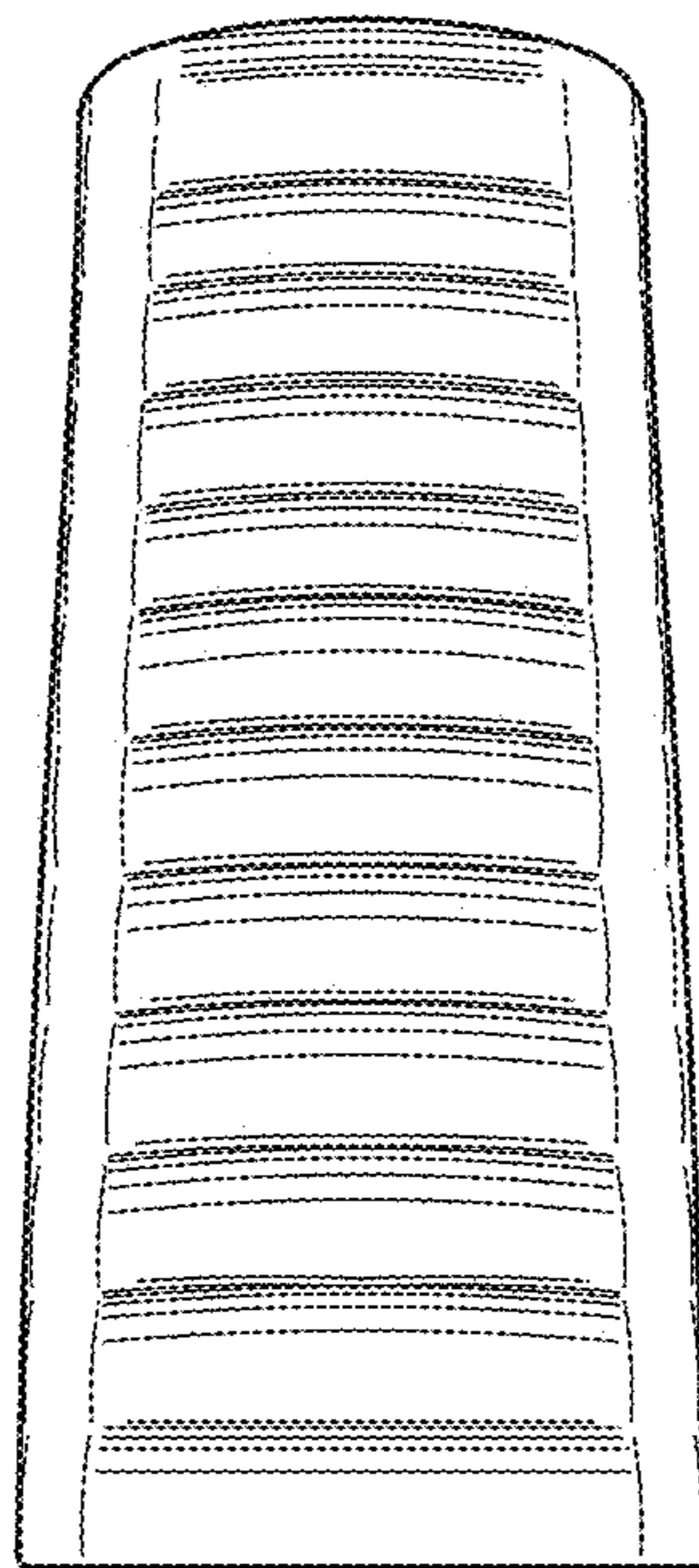


FIG. 3

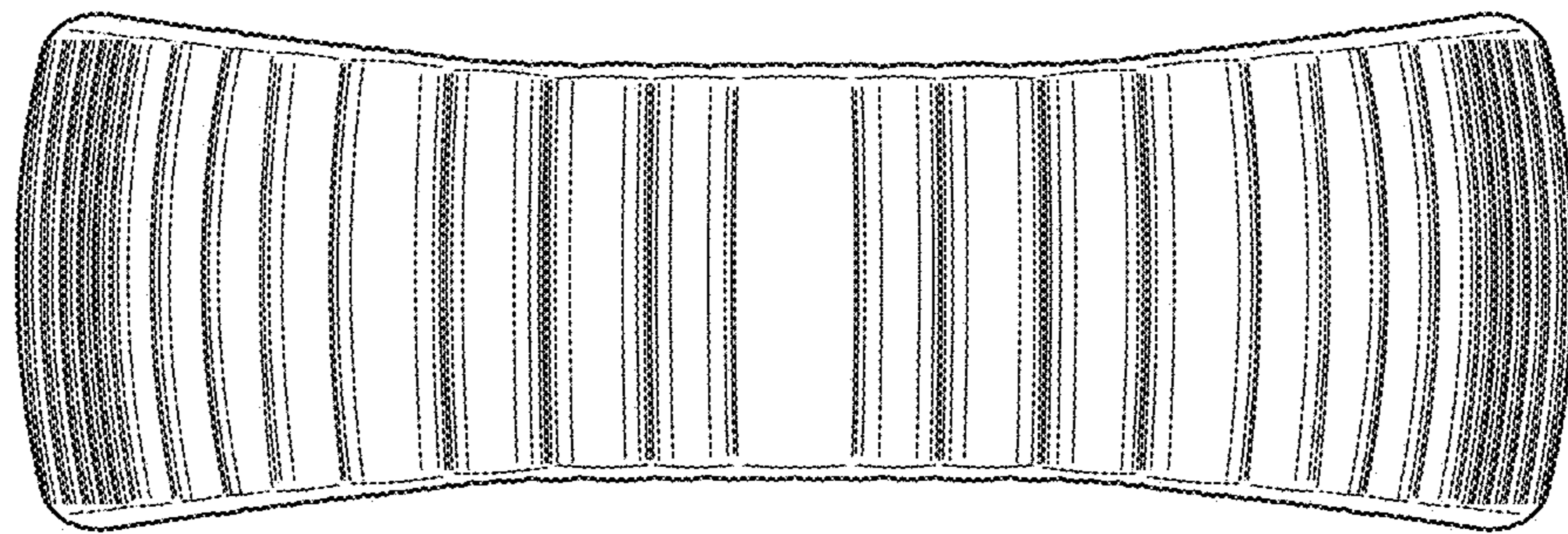


FIG. 4

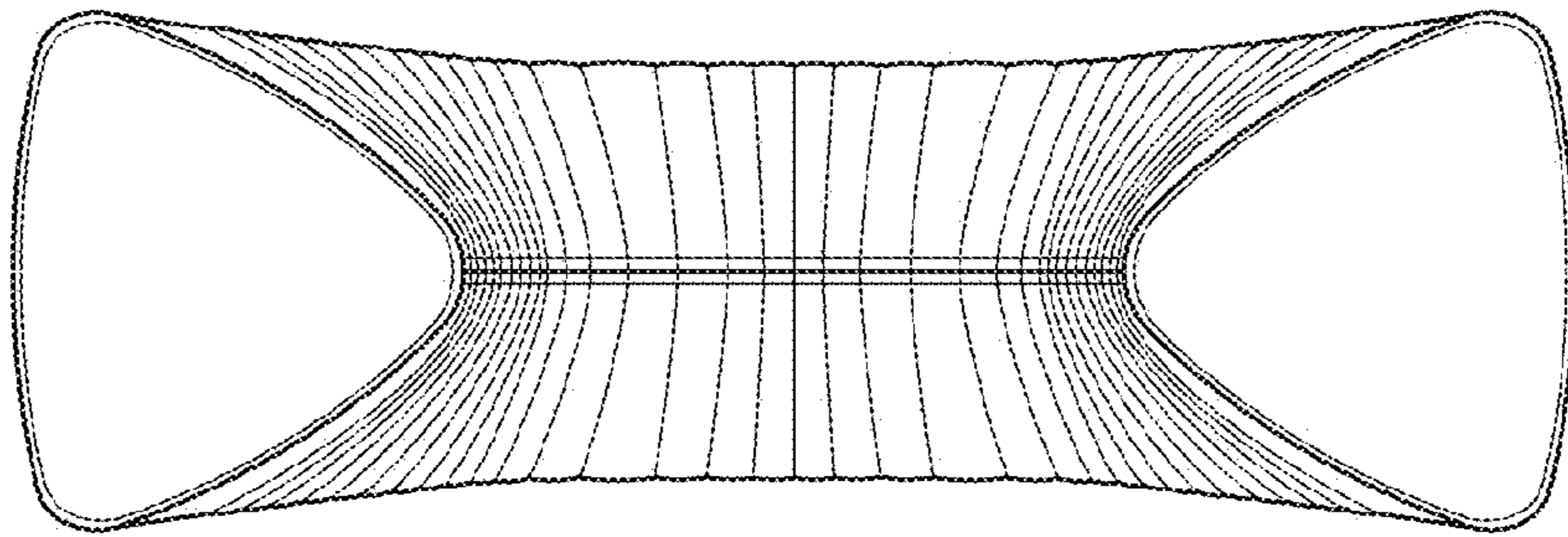


FIG. 5