



US00D732119S

(12) **United States Design Patent**  
**Ho et al.**

(10) **Patent No.:** **US D732,119 S**  
(45) **Date of Patent:** **\*\* Jun. 16, 2015**

(54) **ABDOMINAL EXERCISER BENCH**

(71) Applicants: **Wei-Teh Ho**, Taipei (TW); **Willy Wei Yu Ho**, Taipei (TW)

(72) Inventors: **Wei-Teh Ho**, Taipei (TW); **Willy Wei Yu Ho**, Taipei (TW)

(\*\*) Term: **14 Years**

(21) Appl. No.: **29/491,764**

(22) Filed: **May 23, 2014**

(51) **LOC (10) Cl.** ..... **21-02**

(52) **U.S. Cl.**  
USPC ..... **D21/687**

(58) **Field of Classification Search**

USPC ..... 482/142, 122, 115, 108, 145, 140, 105, 482/111, 123, 121, 126, 141, 143, 148, 106, 482/130, 129, 132, 96, 131, 133, 124, 110, 482/127, 72, 147, 51, 71, 139, 97, 92, 137, 482/98, 1, 907, 95, 112; 206/315.1, 45.2; D21/687, 662, 690, 676, 423, 691, D21/686; 273/449; 472/103; 297/259.1, 297/16.1, 175, 445.1, 353; 446/482; 607/48, 149, 77, 148; 140/121, 122, 140/123, 124, 90; 601/24; D24/190; D6/601

See application file for complete search history.

(56) **References Cited**

**U.S. PATENT DOCUMENTS**

5,545,114 A \* 8/1996 Gvoich ..... 482/140  
5,599,261 A \* 2/1997 Easley et al. .... 482/130  
D379,483 S \* 5/1997 England et al. .... D21/676  
5,676,628 A \* 10/1997 Chen ..... 482/142  
D390,290 S \* 2/1998 Van Der Hoeven et al. . D21/676  
D393,891 S \* 4/1998 Van Der Hoeven et al. . D21/676  
5,871,425 A \* 2/1999 Gvoich ..... 482/140  
D408,875 S \* 4/1999 Anderson ..... D21/676

6,220,995 B1 \* 4/2001 Chen ..... 482/140  
6,544,151 B2 \* 4/2003 Tornabene ..... 482/122  
D476,045 S \* 6/2003 Casey et al. .... D21/690  
D478,137 S \* 8/2003 Ho et al. .... D21/687  
7,357,764 B2 \* 4/2008 Stearns ..... 482/140  
D641,434 S \* 7/2011 Khubani ..... D21/690  
8,012,072 B2 \* 9/2011 Forcillo et al. .... 482/139  
D649,205 S \* 11/2011 Zachary ..... D21/676  
D703,280 S \* 4/2014 Ho et al. .... D21/687  
D719,224 S \* 12/2014 Ho et al. .... D21/687  
2003/0130100 A1 \* 7/2003 Perez ..... 482/140  
2004/0220027 A1 \* 11/2004 Stearns ..... 482/140  
2005/0130816 A1 \* 6/2005 Huang ..... 482/140  
2006/0166799 A1 \* 7/2006 Boland et al. .... 482/140  
2007/0259762 A1 \* 11/2007 Ho ..... 482/142  
2007/0281840 A1 \* 12/2007 Tsai ..... 482/140  
2014/0274616 A1 \* 9/2014 Ho et al. .... 482/140  
2014/0274618 A1 \* 9/2014 Ho et al. .... 482/140

\* cited by examiner

*Primary Examiner* — Robert M Spear

*Assistant Examiner* — Ryan Harvey

(74) *Attorney, Agent, or Firm* — Blakeky Sokoloff Taylor & Zafman LLP

(57) **CLAIM**

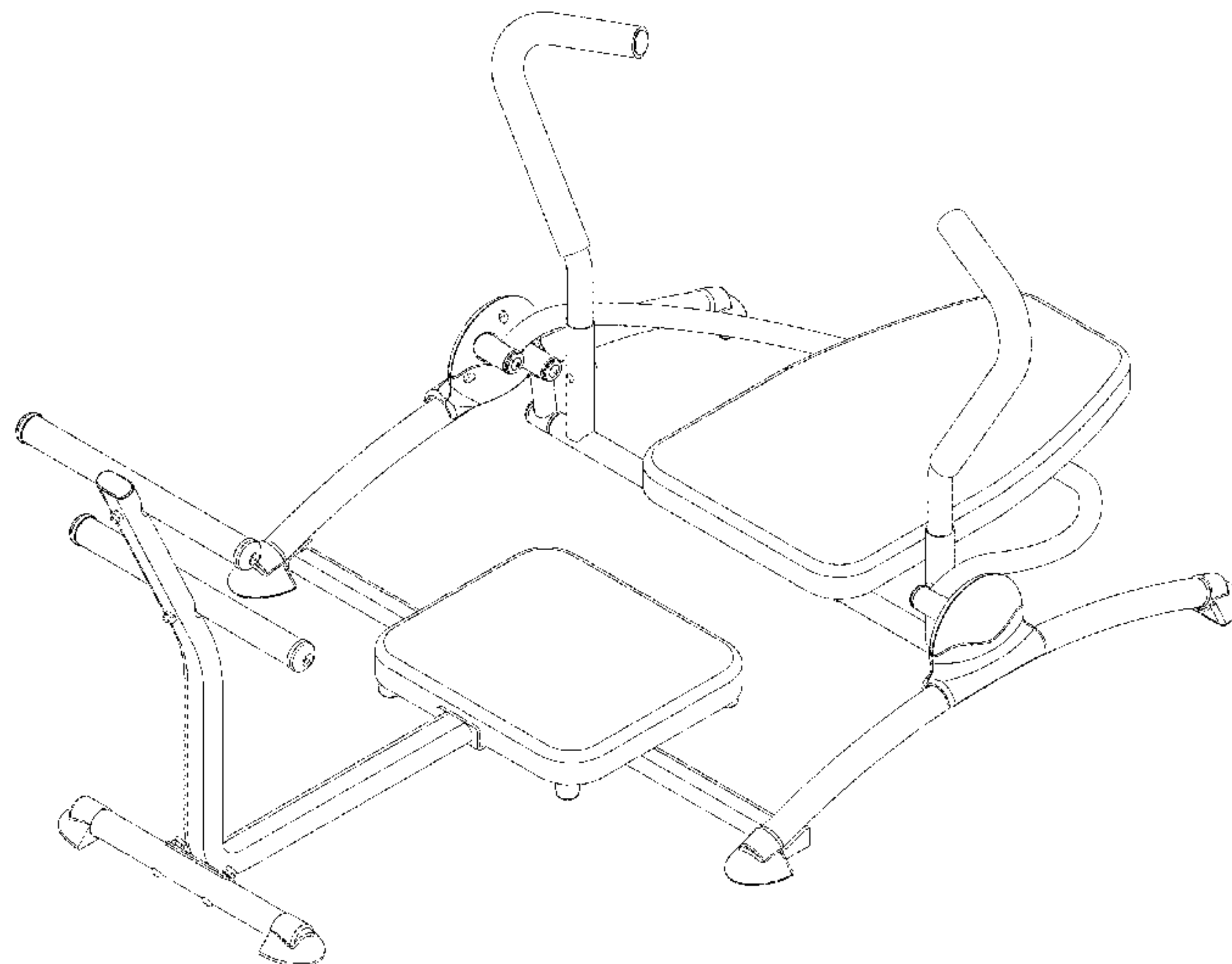
The ornamental design for an abdominal exerciser bench, as shown and described.

**DESCRIPTION**

FIG. 1 is a perspective view showing the new design for an abdominal exerciser bench;  
FIG. 2 is a front view thereof;  
FIG. 3 is a rear view thereof;  
FIG. 4 is a right side view thereof;  
FIG. 5 is a left side view thereof;  
FIG. 6 is a top view thereof; and,  
FIG. 7 is a bottom view thereof.

The broken lines illustrate portions of the article that form no part of the claimed design.

**1 Claim, 7 Drawing Sheets**



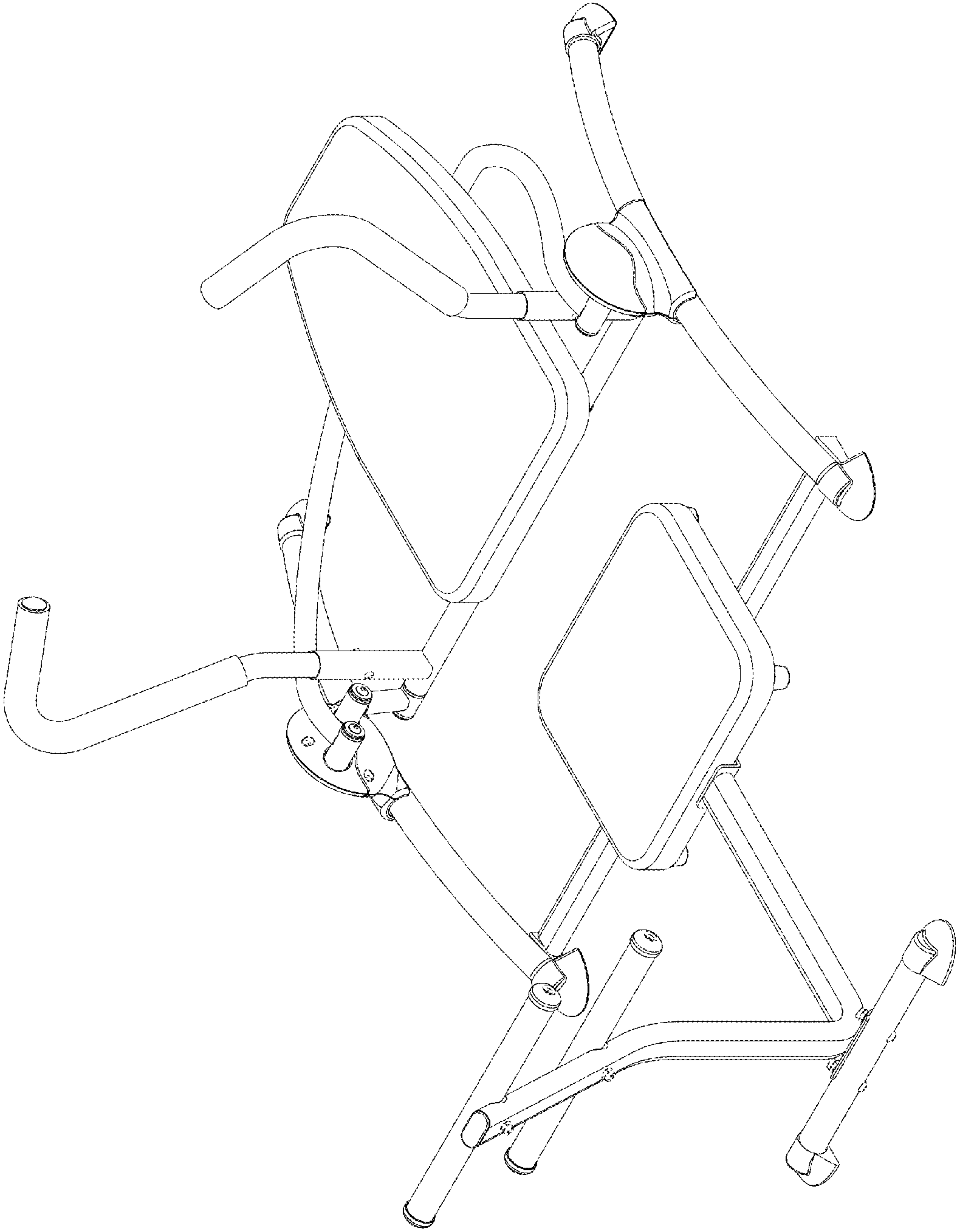


FIG. 1

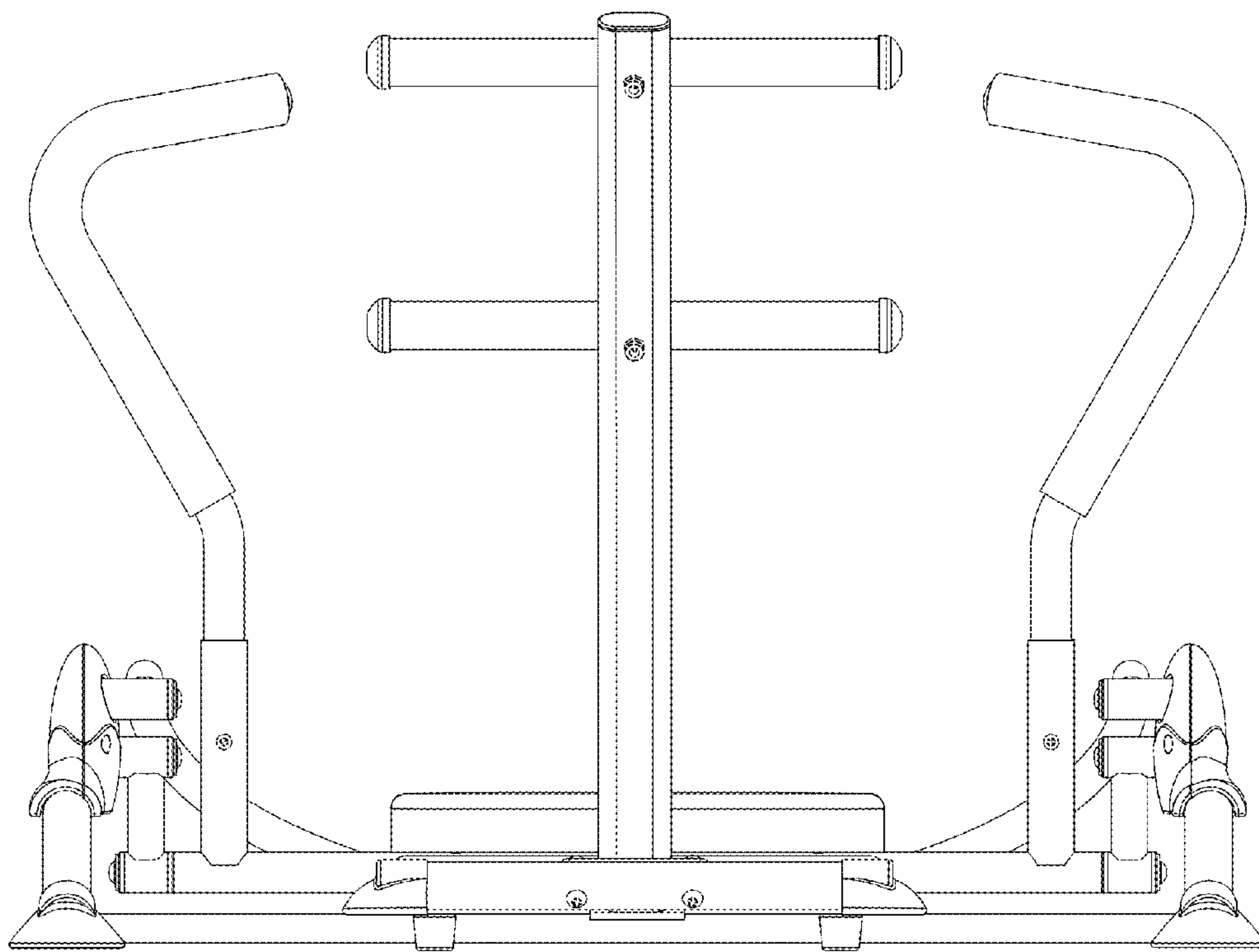


FIG. 2

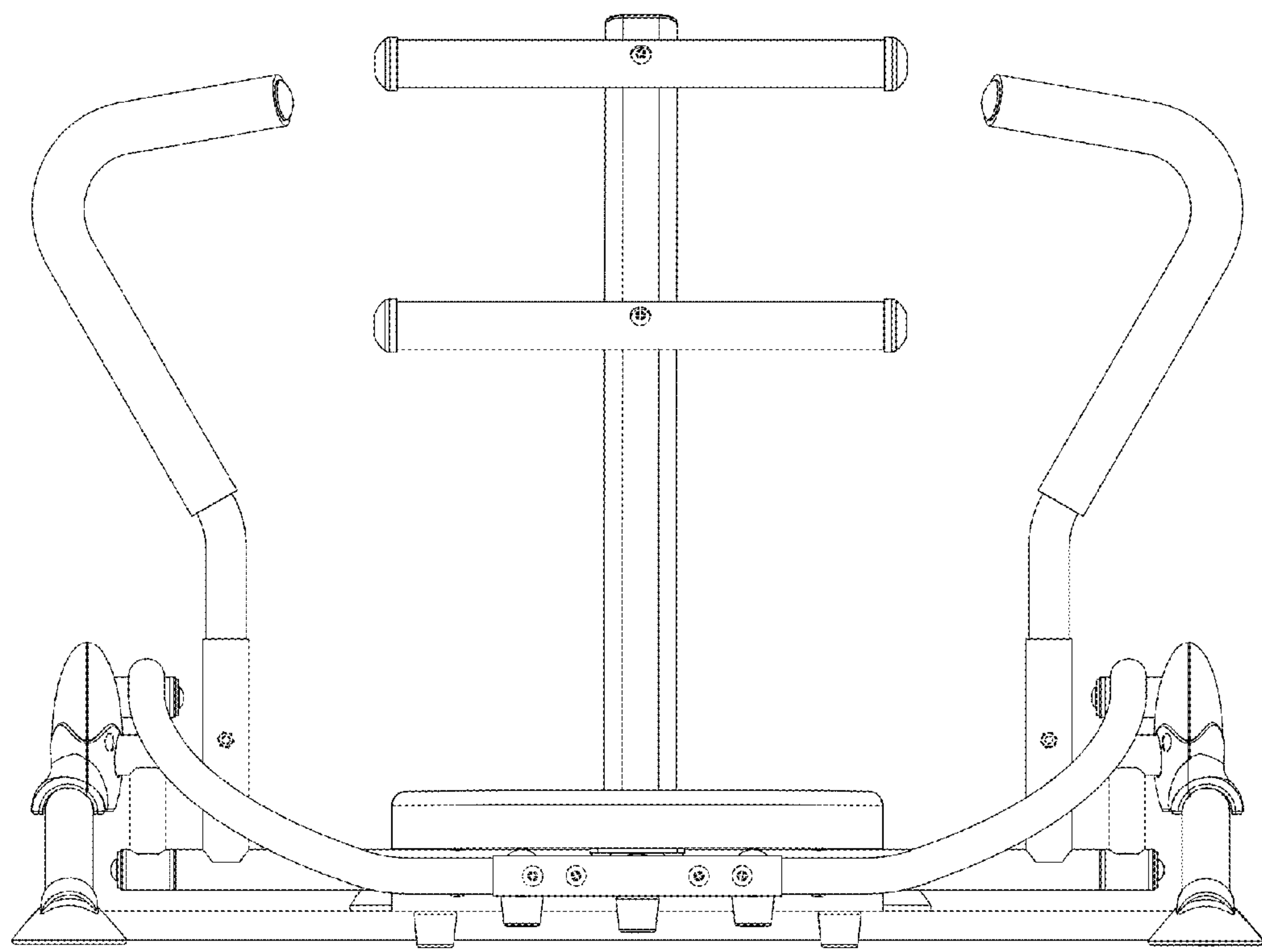


FIG. 3

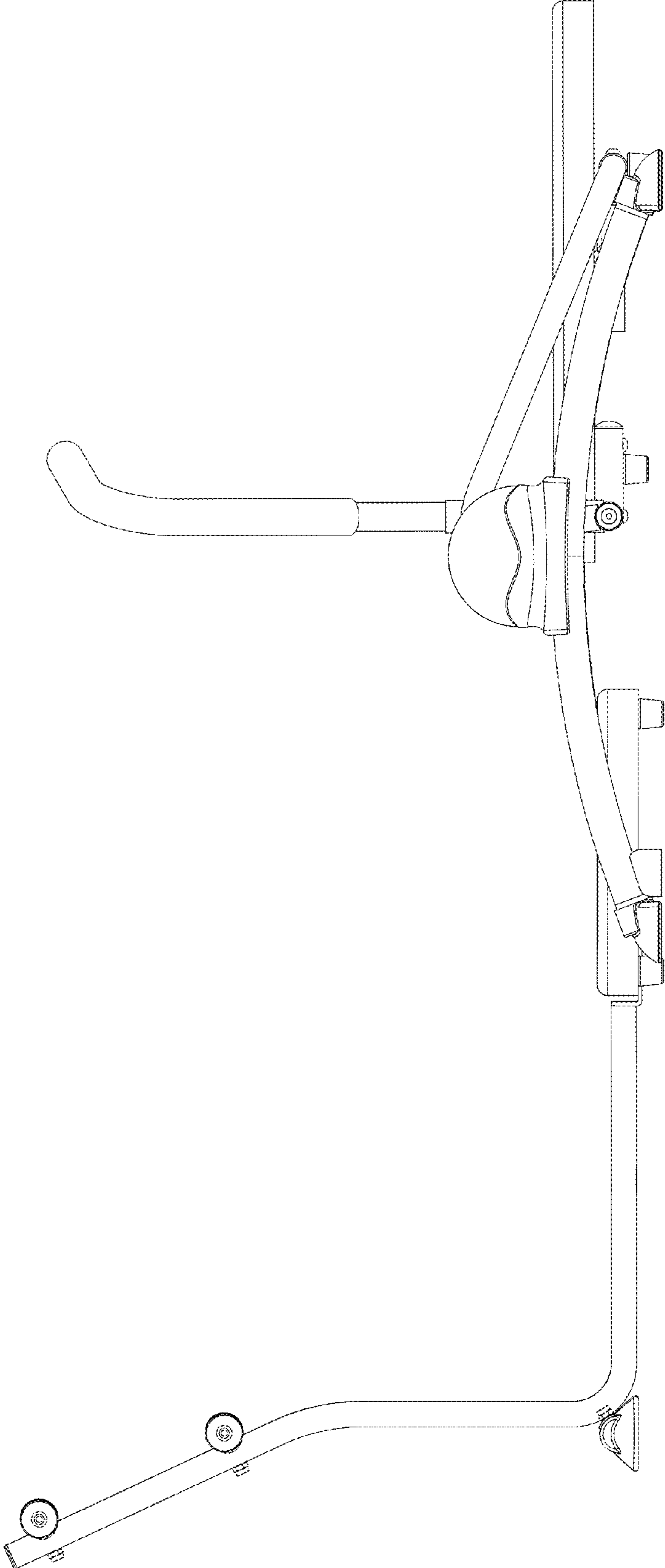


FIG. 4

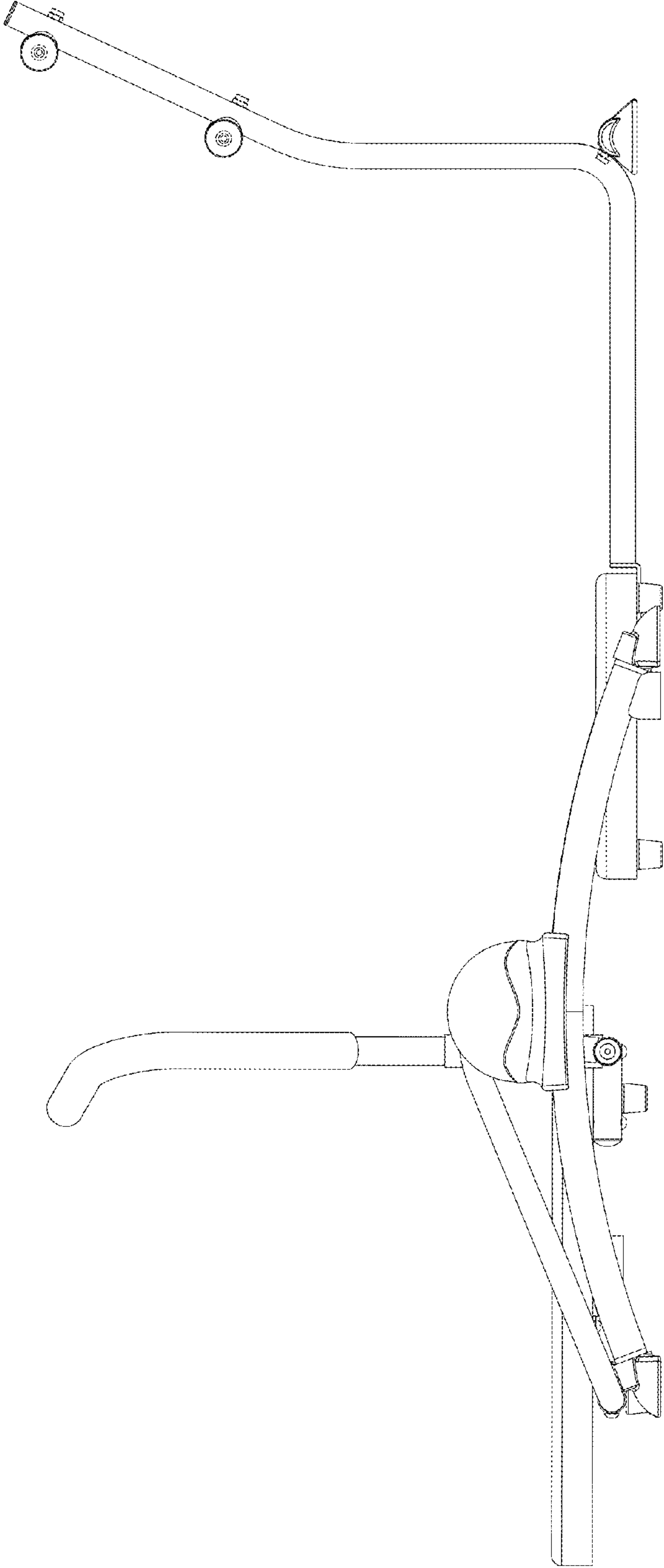


FIG. 5



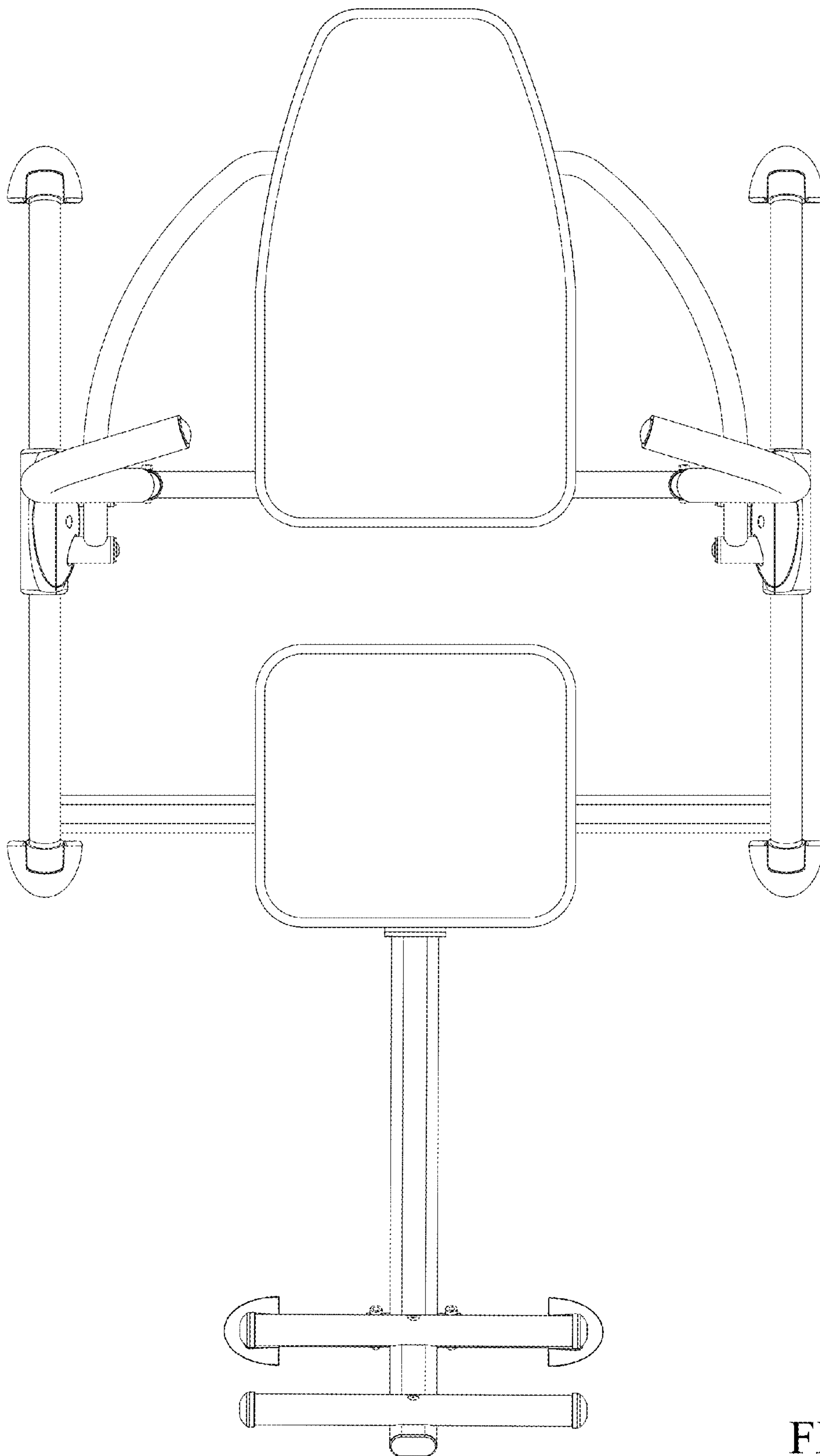


FIG. 6

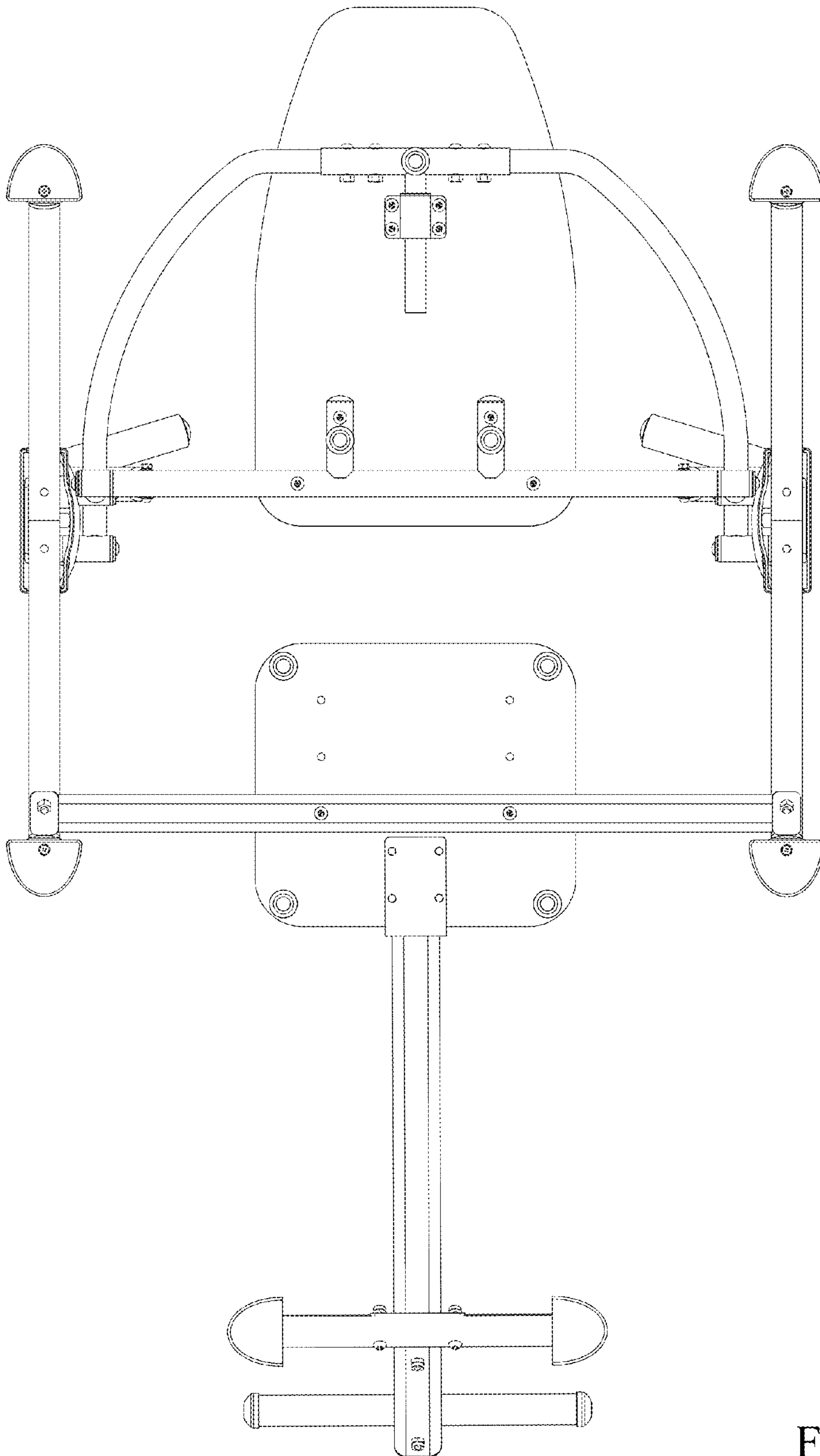


FIG. 7