



US00D732116S

(12) **United States Design Patent**  
**Gonzalez**

(10) **Patent No.:** **US D732,116 S**  
(45) **Date of Patent:** **\*\* Jun. 16, 2015**

(54) **KRYOGUN WITH LED LIGHT ATTACHMENT**

(71) Applicant: **Alejandro Gonzalez**, Miami Beach, FL  
(US)

(72) Inventor: **Alejandro Gonzalez**, Miami Beach, FL  
(US)

(\*\*) Term: **14 Years**

(21) Appl. No.: **29/453,241**

(22) Filed: **Apr. 26, 2013**

(51) **LOC (10) Cl.** ..... **21-01**

(52) **U.S. Cl.**  
USPC ..... **D21/573**

(58) **Field of Classification Search**  
USPC ..... D21/567, 570-575; D22/108-109;  
42/15, 16, 69.02, 69.03, 142; 89/1.42;  
124/25, 41.1, 46, 49, 51.1, 55, 56,  
124/59-79  
CPC ..... B25C 1/04; B67D 7/02; F41A 21/32;  
F41A 3/72; F41B 11/00; F41B 11/62; F41B  
11/73; F41B 11/83; F41C 7/02; F41C 7/025;  
F41C 7/04  
See application file for complete search history.

(56) **References Cited**

**U.S. PATENT DOCUMENTS**

D285,235 S \* 8/1986 Cellini ..... D22/108  
5,720,416 A \* 2/1998 Izoë ..... 222/138  
6,273,080 B1 \* 8/2001 Sullivan, Jr. .... 124/84  
6,298,841 B1 \* 10/2001 Cheng et al. .... 124/56  
7,107,981 B1 \* 9/2006 Dunn ..... 124/80

7,213,734 B2 \* 5/2007 Atcheson ..... 227/130  
D544,928 S \* 6/2007 Jones ..... D21/573  
D571,415 S \* 6/2008 Jones ..... D21/573  
7,556,032 B2 \* 7/2009 Jones et al. .... 124/73  
7,850,036 B2 \* 12/2010 Cirone ..... 220/581  
8,087,406 B2 \* 1/2012 Axelsson ..... 124/71  
D679,342 S \* 4/2013 Coulter ..... D21/573  
D699,303 S \* 2/2014 Coulter ..... D21/573

\* cited by examiner

*Primary Examiner* — Ricky Pham

(74) *Attorney, Agent, or Firm* — Nancy J. Flint, Esq.; Nancy J. Flint, Attorney At Law, P.A.

(57) **CLAIM**

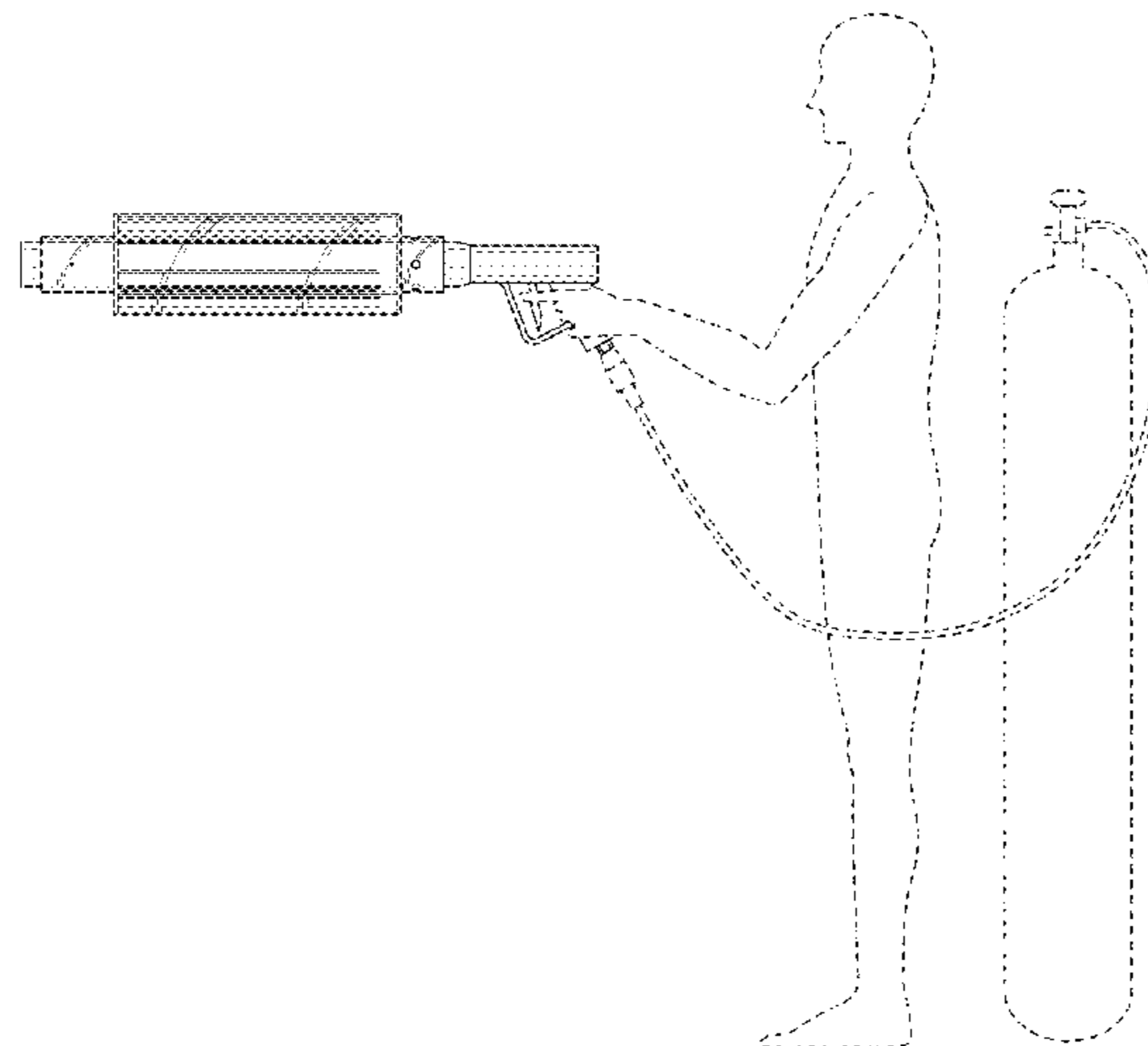
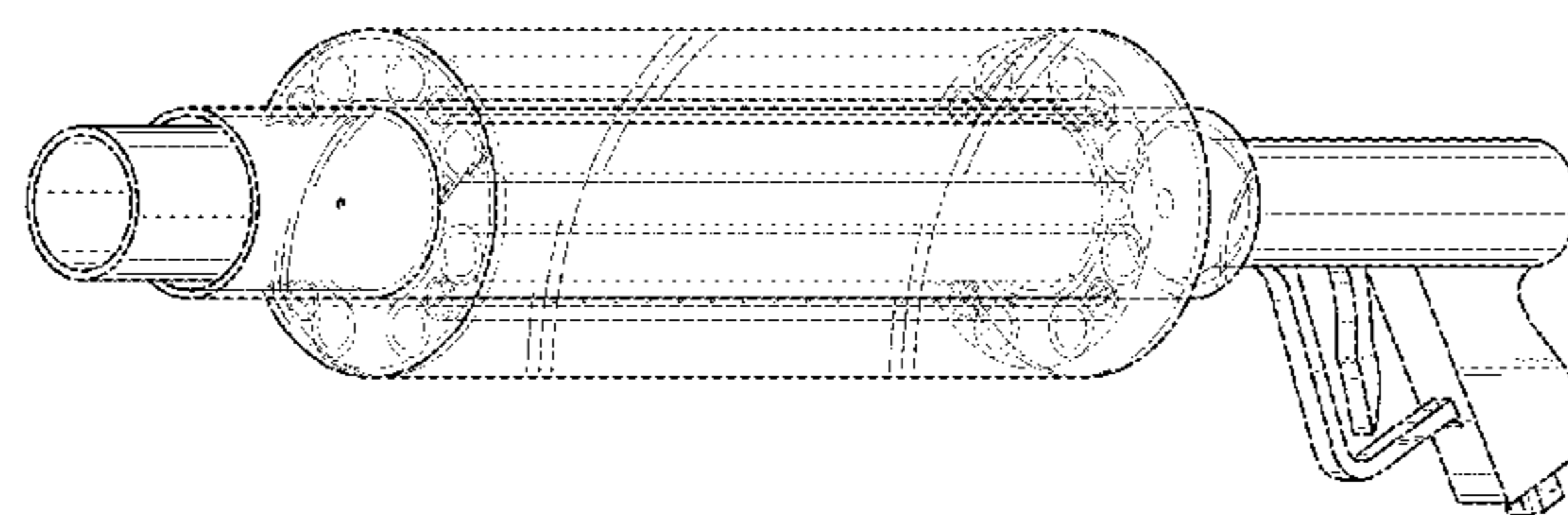
The ornamental design for a kryogun with LED light attachment, as shown and described.

**DESCRIPTION**

FIG. 1 is a side perspective view of a kryogun with LED light attachment showing my new design;  
FIG. 2 is a front view of a kryogun with LED light attachment;  
FIG. 3 is a back view of a kryogun with LED light attachment;  
FIG. 4 is a right side view of a kryogun with LED light attachment;  
FIG. 5 is a left side view of a kryogun with LED light attachment;  
FIG. 6 is a top view of a kryogun with LED light attachment;  
FIG. 7 is a bottom view of a kryogun with LED light attachment; and,  
FIG. 8 is a side view of a kryogun with LED light attachment in use.

The broken lines shown in the drawings are for illustrative purposes only and form no part of the claimed design.

**1 Claim, 6 Drawing Sheets**



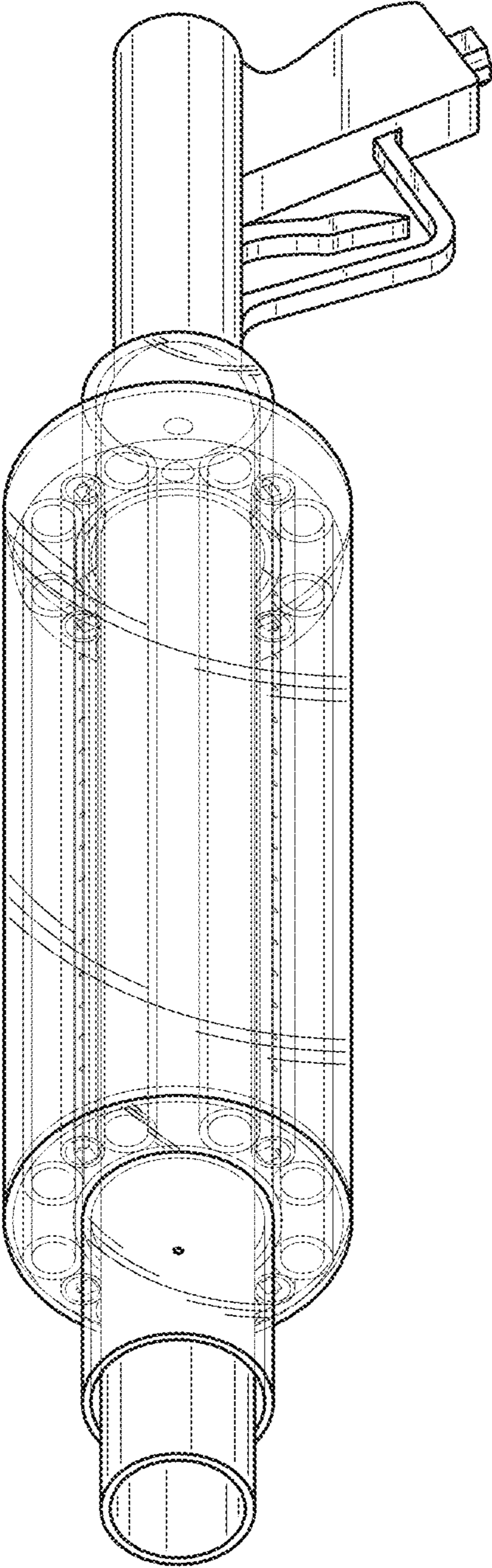


FIG. 1

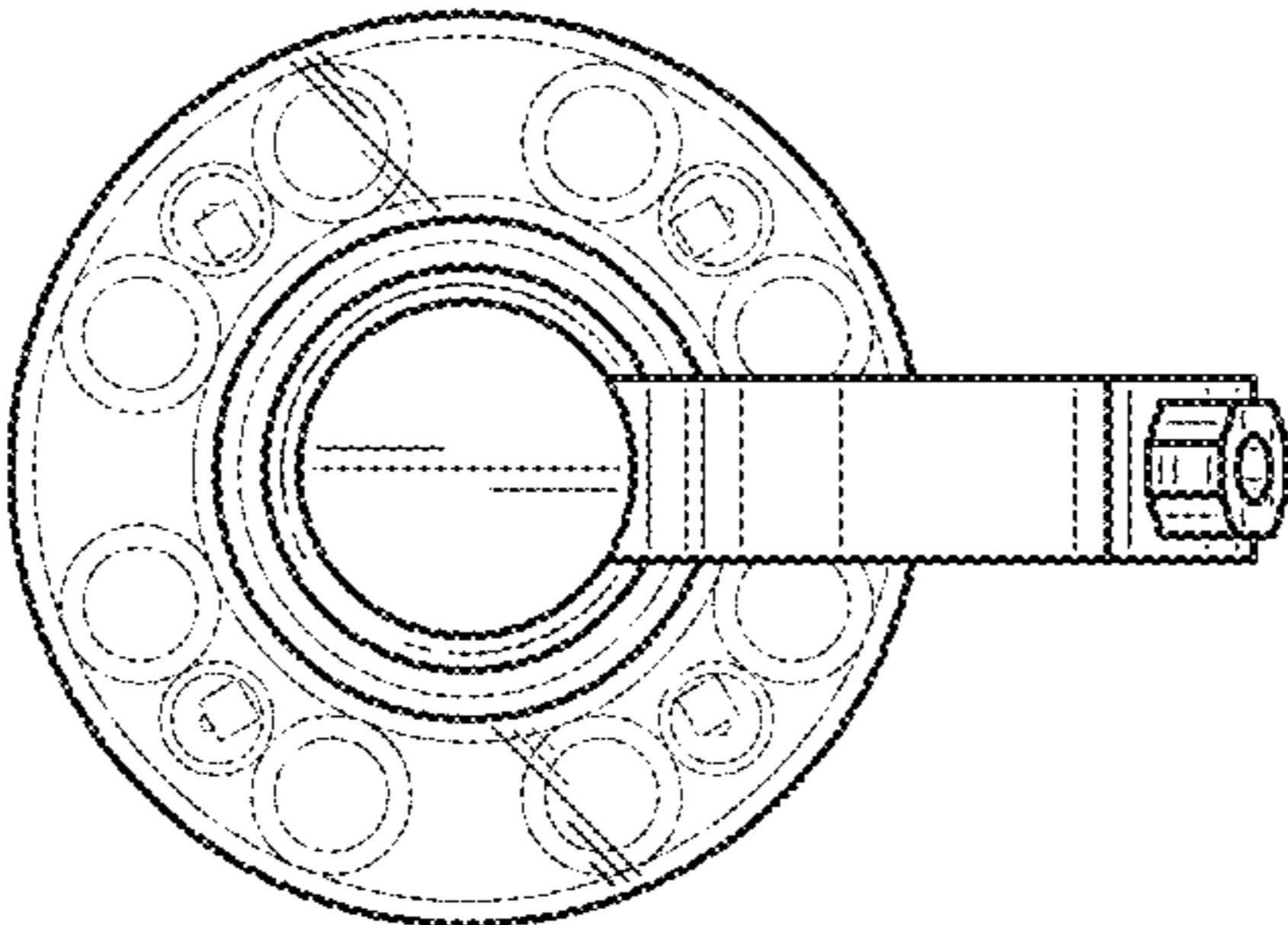


FIG. 3

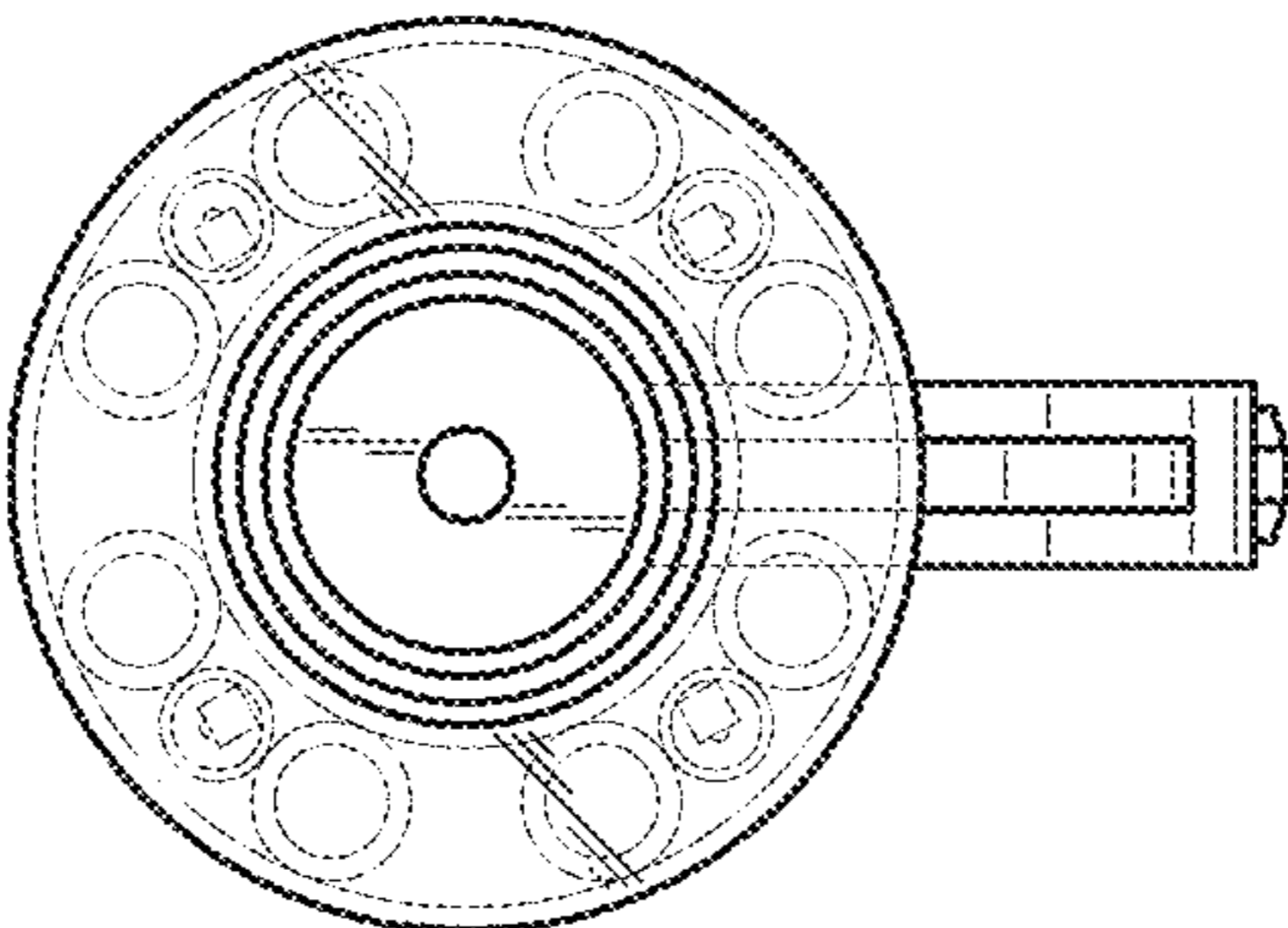


FIG. 2

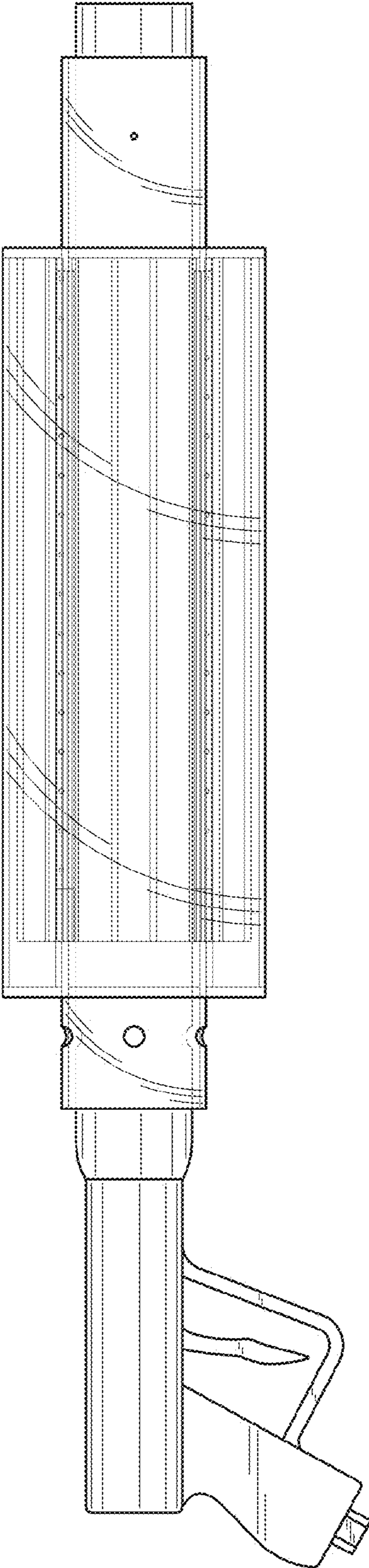


FIG. 4

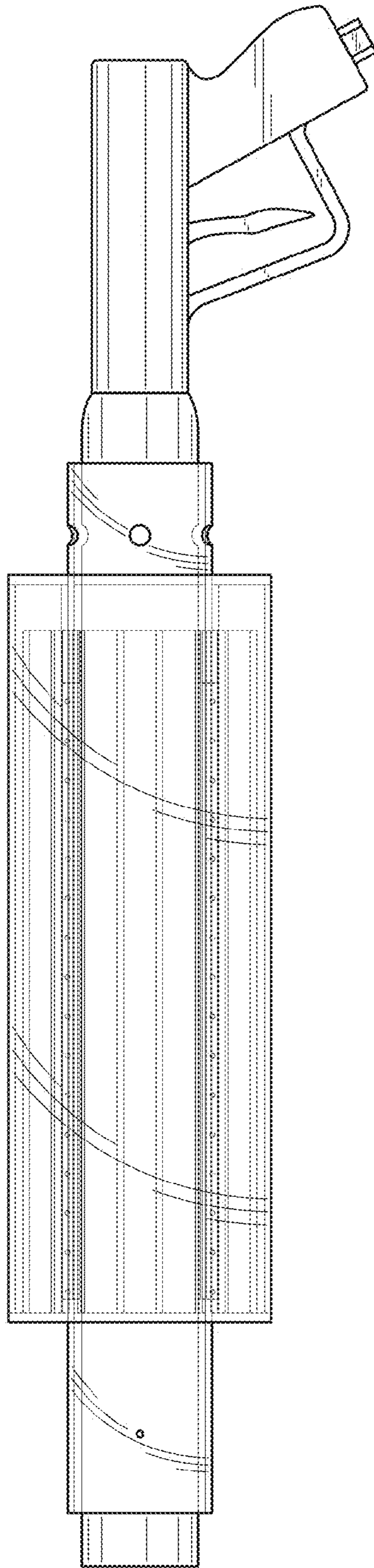


FIG. 5

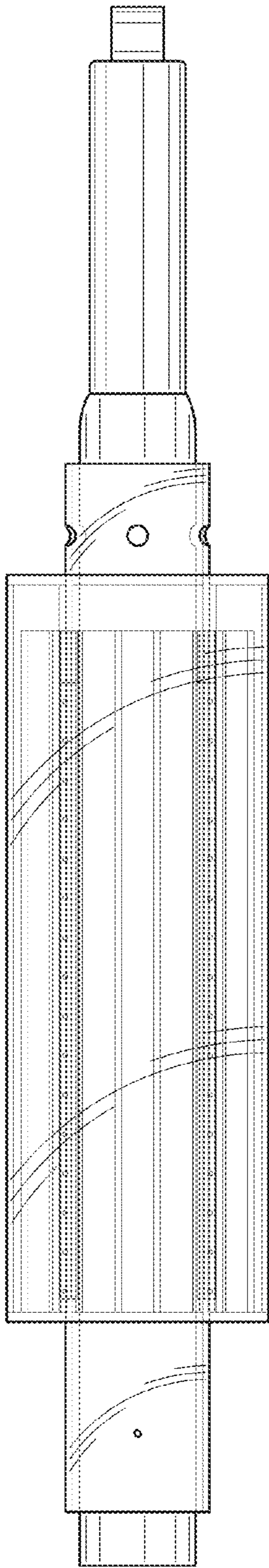


FIG. 6

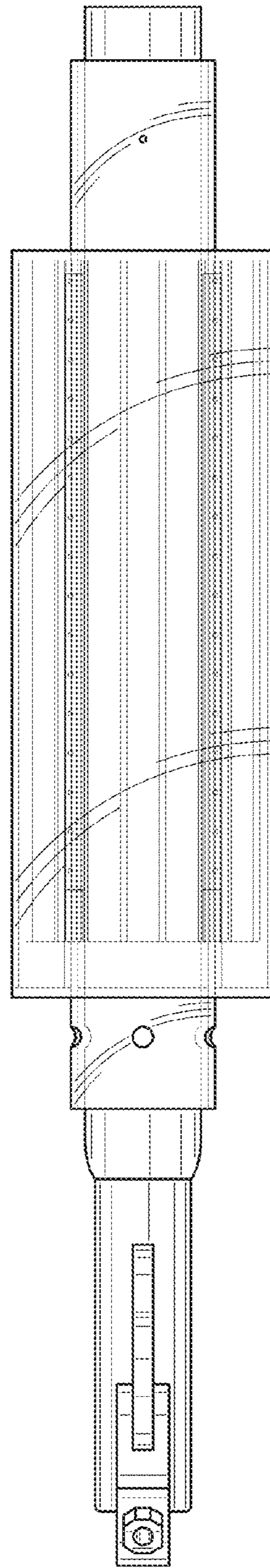


FIG. 7

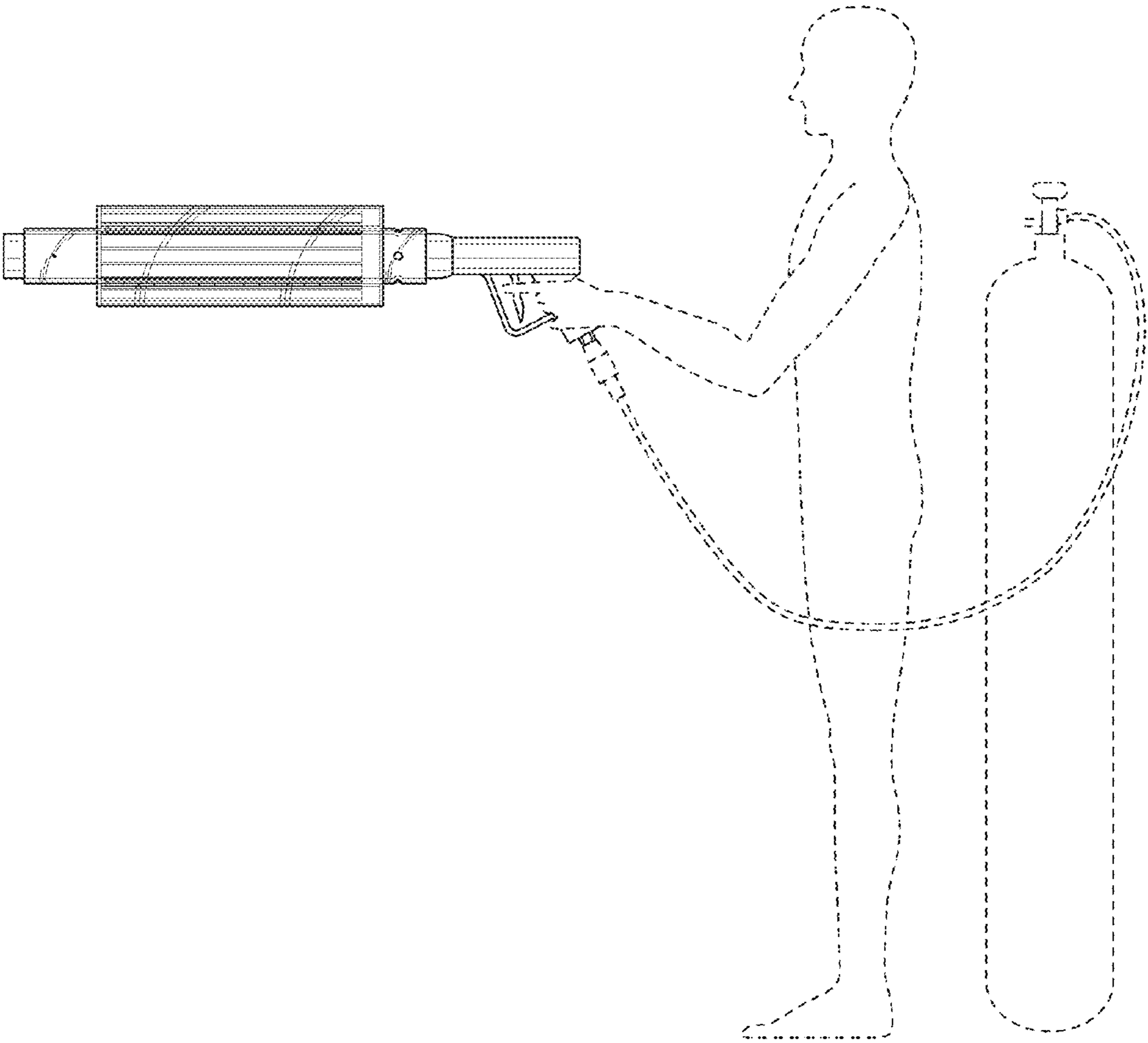


FIG. 8