



US00D732115S

(12) **United States Design Patent**  
**Talios et al.**

(10) **Patent No.:** **US D732,115 S**  
(45) **Date of Patent:** **\*\* Jun. 16, 2015**

- (54) **TOY RIDE-ON KARAOKE CAR**
- (71) Applicant: **Dynacraft BSC, Inc.**, American Canyon, CA (US)
- (72) Inventors: **Bill Talios**, Petaluma, CA (US); **David Castrucci**, Napa, CA (US); **John Bisges**, Petaluma, CA (US)
- (73) Assignee: **DYNACRAFT BSC, INC.**, American Canyon, CA (US)

D508,271 S \* 8/2005 Augustin ..... D21/433  
 D524,876 S \* 7/2006 Augustin ..... D21/433  
 D533,603 S \* 12/2006 Chung ..... D21/433  
 D611,998 S \* 3/2010 Pucci ..... D21/433  
 D622,328 S \* 8/2010 Giannini ..... D21/433

\* cited by examiner

*Primary Examiner* — Cynthia M Chin

(74) *Attorney, Agent, or Firm* — Michael Best & Friedrich LLP

(\*\*) Term: **14 Years**

(21) Appl. No.: **29/482,365**

(22) Filed: **Feb. 18, 2014**

(51) **LOC (10) Cl.** ..... **21-01**

(52) **U.S. Cl.**  
USPC ..... **D21/433**

(58) **Field of Classification Search**  
USPC ..... D21/533, 548, 549, 550, 551, 561, 562,  
D21/433; D12/82, 86, 88, 89, 90, 91, 92,  
D12/93; 446/465, 468, 470, 471, 431,  
446/454–456

See application file for complete search history.

(56) **References Cited**

U.S. PATENT DOCUMENTS

D393,888 S \* 4/1998 Callif ..... D21/433  
 D402,332 S \* 12/1998 Fichter ..... D21/433  
 D423,604 S \* 4/2000 Yeh ..... D21/433  
 D426,270 S \* 6/2000 Rubau ..... D21/433  
 D432,183 S \* 10/2000 Hulst ..... D21/433  
 D432,185 S \* 10/2000 Hulst ..... D21/433  
 D438,146 S \* 2/2001 Larson ..... D12/107  
 D472,501 S \* 4/2003 Song ..... D12/86  
 D483,812 S \* 12/2003 Murkett ..... D21/433

(57) **CLAIM**

We claim the ornamental design for a toy ride-on karaoke car, as shown and described.

**DESCRIPTION**

FIG. 1 is a perspective view of a toy ride-on karaoke car embodying the invention.

FIG. 2 is a left side elevation view of a toy ride-on karaoke car shown in FIG. 1.

FIG. 3 is a right side elevation view of a toy ride-on karaoke car shown in FIG. 1.

FIG. 4 is a front elevation view of a toy ride-on karaoke car shown in FIG. 1.

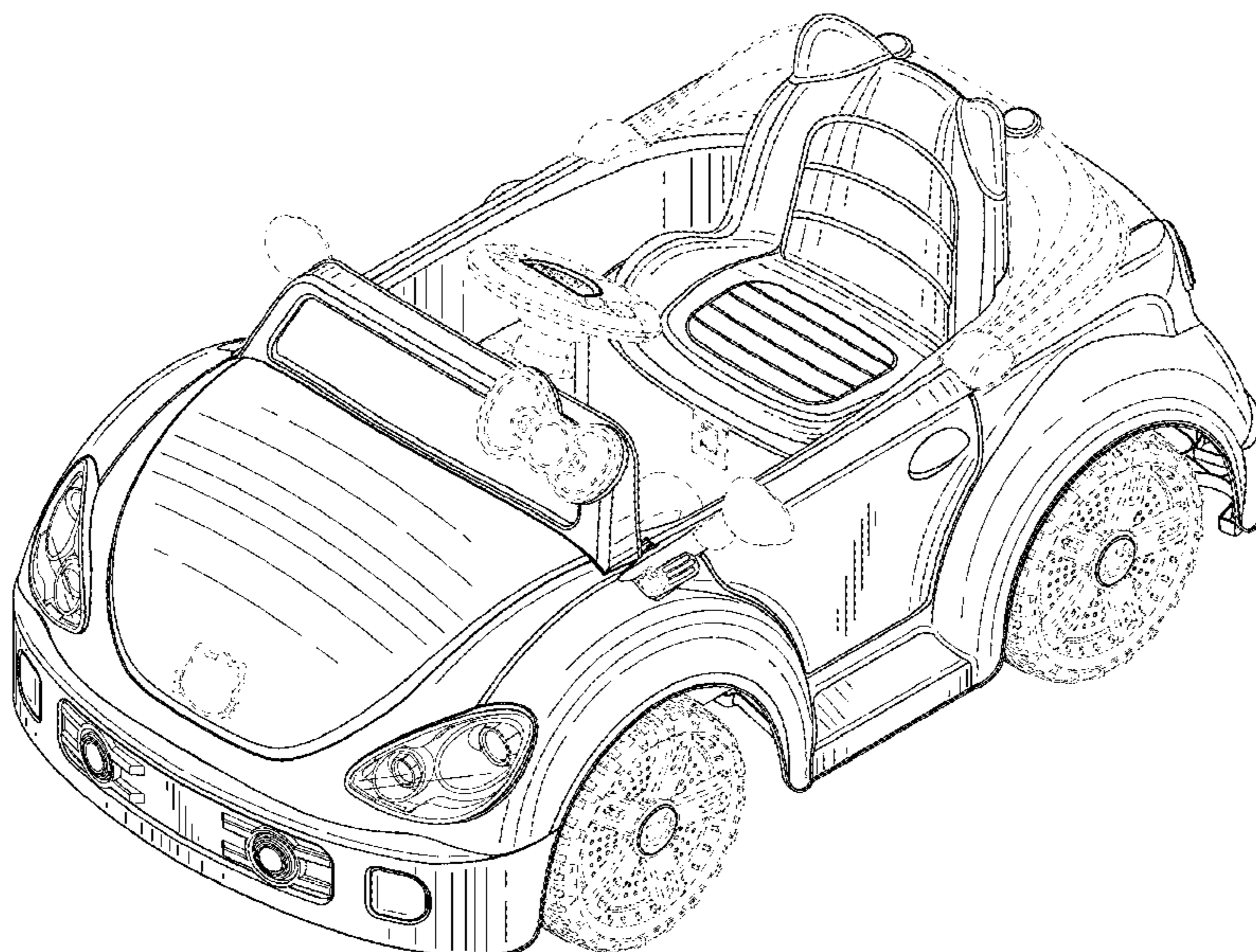
FIG. 5 is a rear elevation view of a toy ride-on karaoke car shown in FIG. 1.

FIG. 6 is a top plan view of a toy ride-on karaoke car shown in FIG. 1; and,

FIG. 7 is a bottom plan view of a toy ride-on karaoke car shown in FIG. 1.

The broken lines shown in the drawings illustrate portions of the toy ride-on karaoke car that form no part of the claimed design.

**1 Claim, 6 Drawing Sheets**



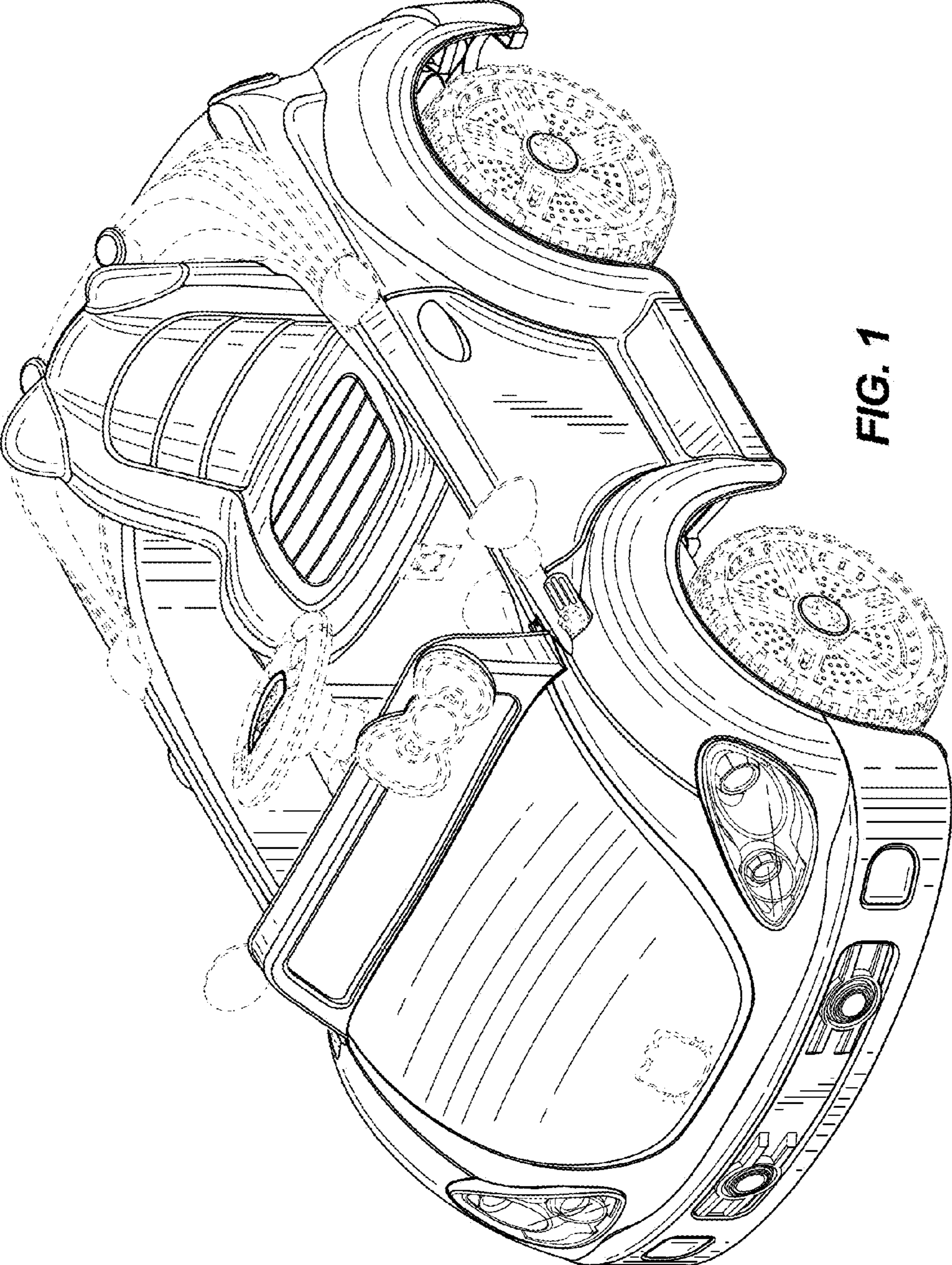


FIG. 1

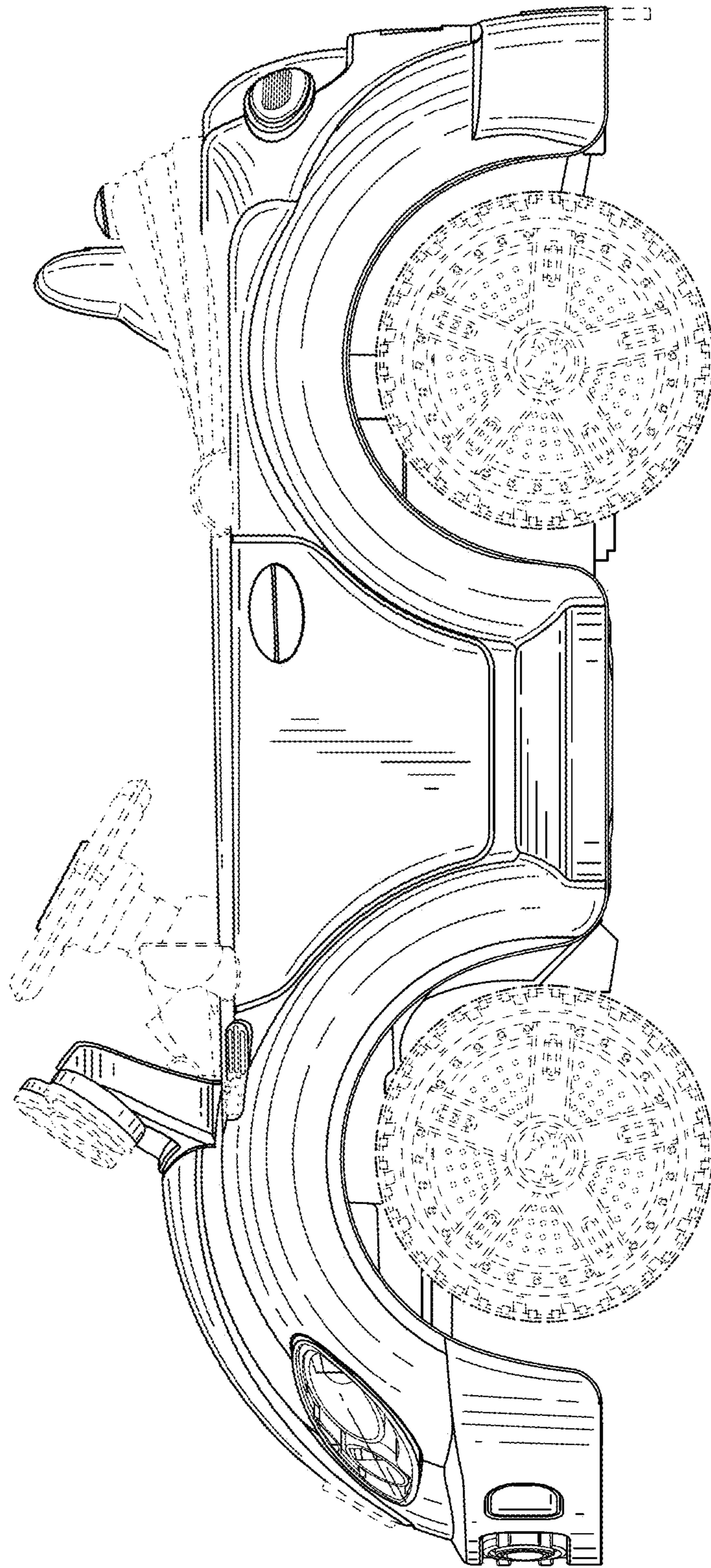


FIG. 2

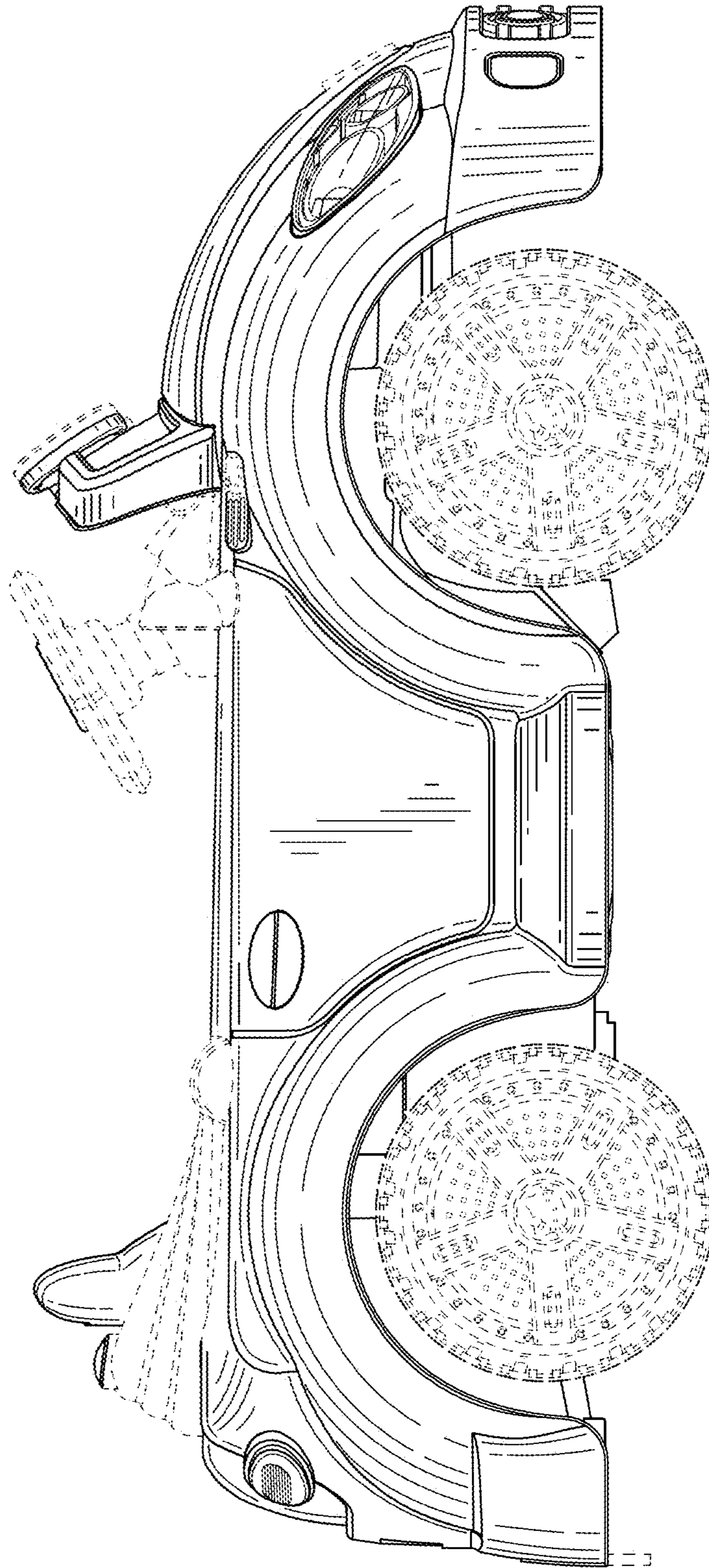
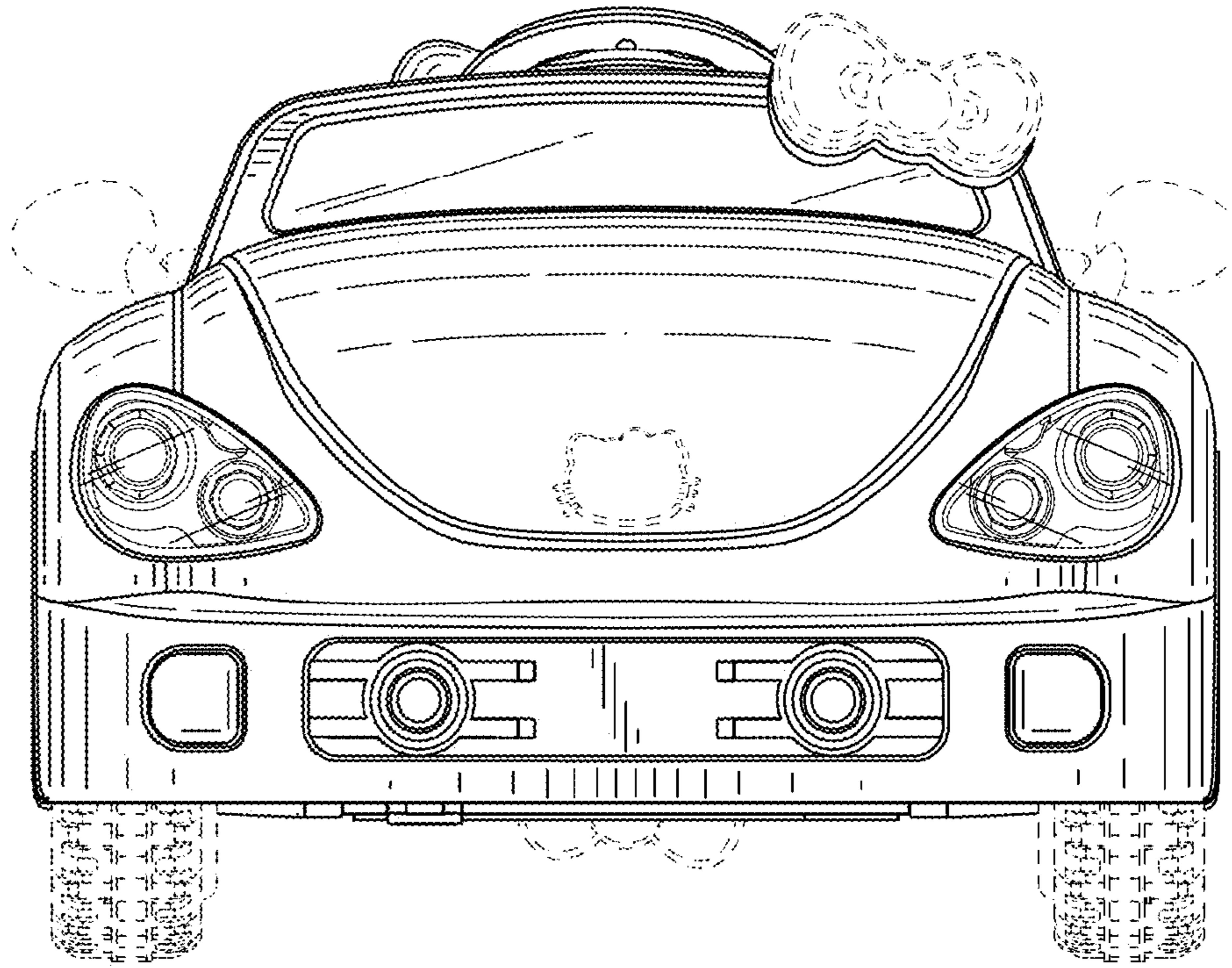
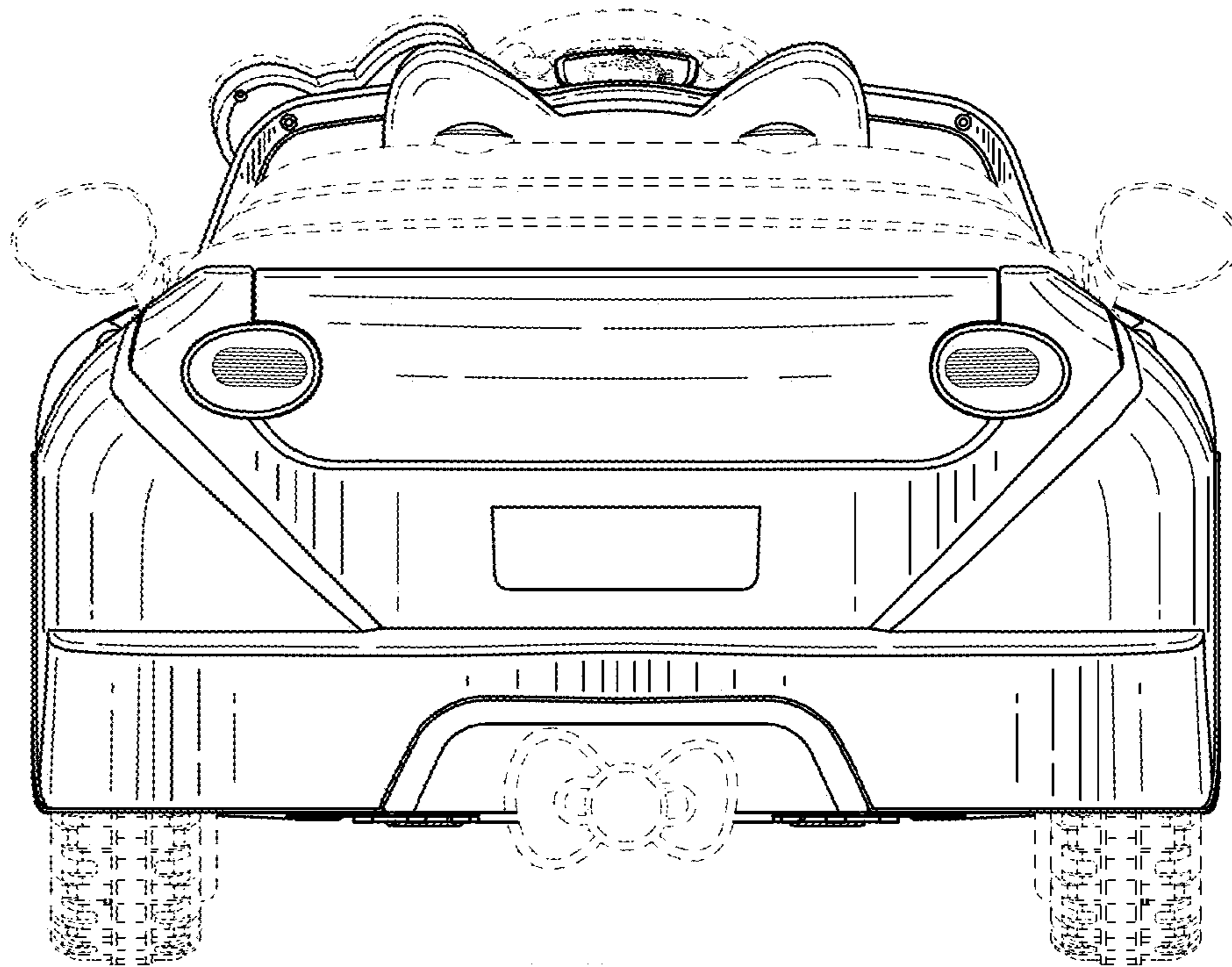


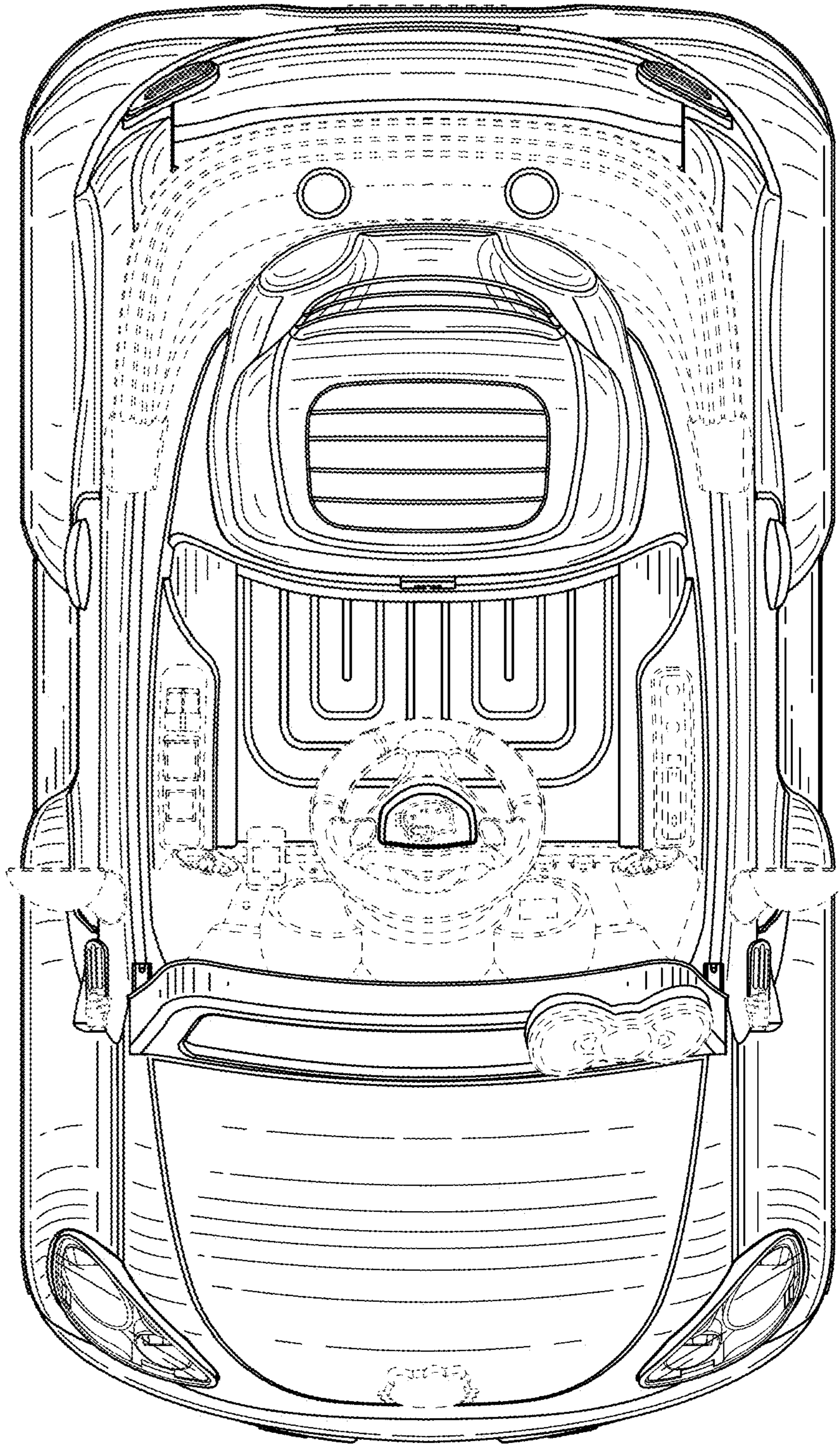
FIG. 3



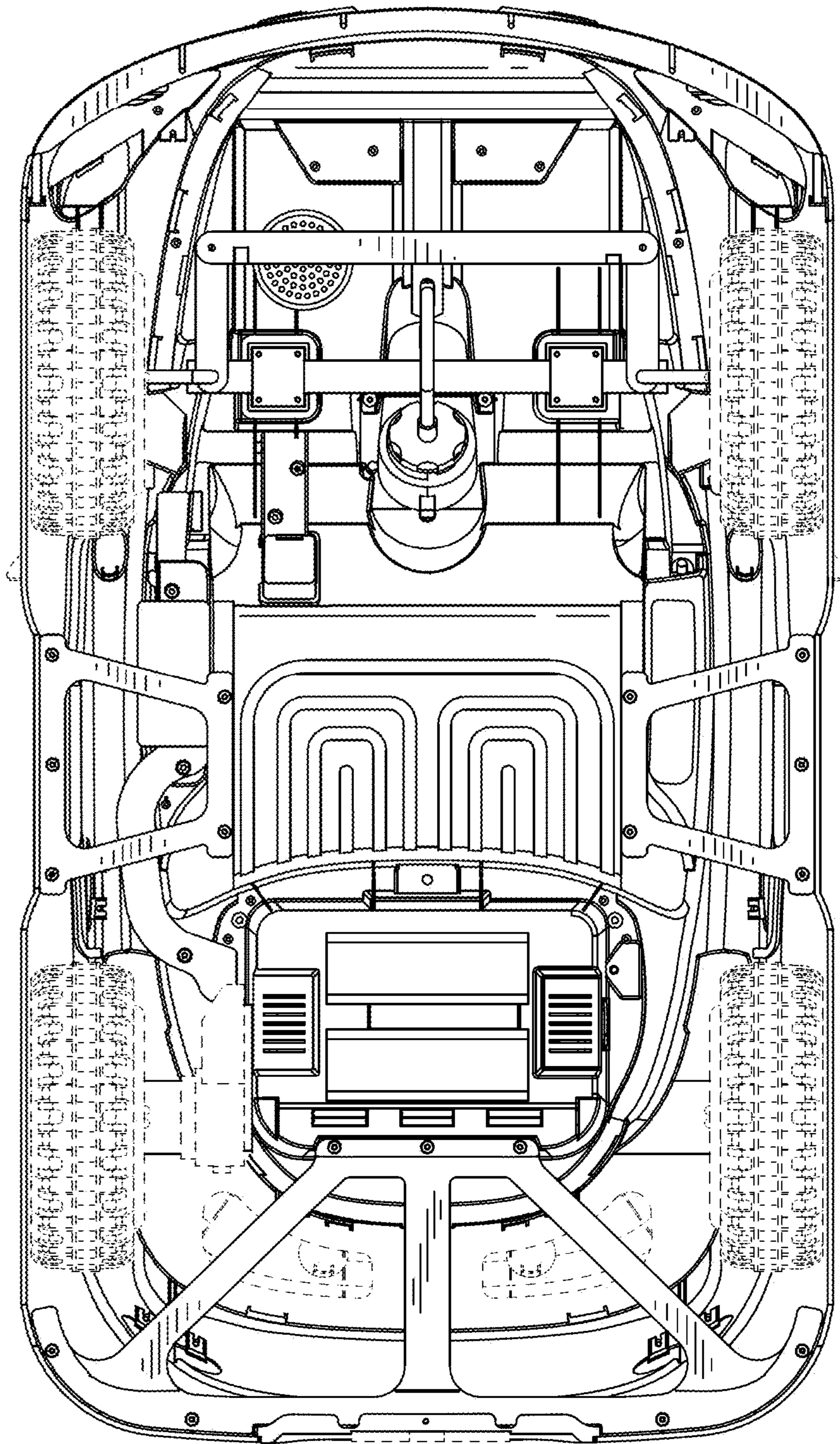
**FIG. 4**



**FIG. 5**



**FIG. 6**



**FIG. 7**