



US00D732114S

(12) **United States Design Patent**
Estep, II

(10) **Patent No.:** **US D732,114 S**
(45) **Date of Patent:** **** Jun. 16, 2015**

(54) **RECONFIGURABLE DESKTOP SIMULATOR SYSTEM**

(71) Applicant: **ZedaSoft, Inc.**, Ft. Worth, TX (US)

(72) Inventor: **George William Estep, II**, Ft. Worth, TX (US)

(73) Assignee: **ZedaSoft, Inc.**, Fort Worth, TX (US)

(**) Term: **14 Years**

(21) Appl. No.: **29/479,450**

(22) Filed: **Jan. 16, 2014**

(51) **LOC (10) Cl.** **21-01**

(52) **U.S. Cl.**
USPC **D21/329**

(58) **Field of Classification Search**
USPC D21/325, 329, 333, 369–371, 385;
273/148 B, 138.1, 309, 236; 463/1,
463/16–21, 25, 42, 46, 47;
D14/203.1–293.7, 496

See application file for complete search history.

(56) **References Cited**

U.S. PATENT DOCUMENTS

5,114,157 A * 5/1992 Kita 463/29
5,549,372 A * 8/1996 Lewis 312/114

5,967,892 A * 10/1999 Shoemaker, Jr. 463/7
D429,768 S * 8/2000 Smart D21/325
6,290,229 B1 * 9/2001 Perez 273/148 R
6,461,239 B1 * 10/2002 Sagawa et al. 463/7
D522,588 S * 6/2006 Bockstael D21/325
D545,378 S * 6/2007 Cropp D21/325
D570,922 S * 6/2008 Reetz D21/325
D619,659 S * 7/2010 Damani D21/325
D638,479 S * 5/2011 Verstraeten D21/333

* cited by examiner

Primary Examiner — Prabhakar Deshmukh

(74) *Attorney, Agent, or Firm* — Schultz & Associates, P.C.

(57) **CLAIM**

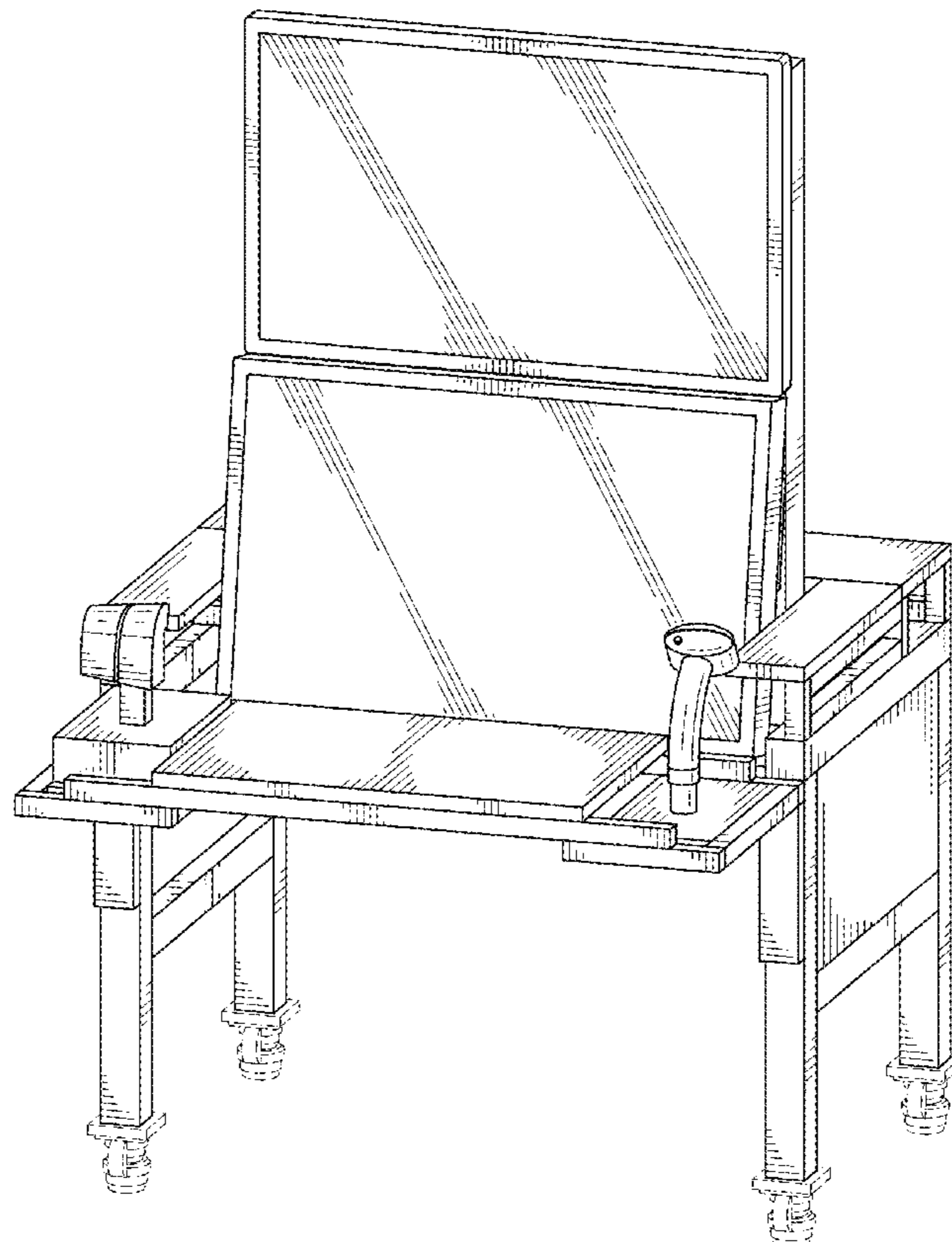
The ornamental design for a reconfigurable desktop simulator system, as shown and described.

DESCRIPTION

FIG. 1 is a perspective view of a reconfigurable desktop simulator system showing my new design; FIG. 2 is a front elevation view thereof; FIG. 3 is a rear elevation view thereof; FIG. 4 is a side elevation view thereof; FIG. 5 is a side elevation view thereof; FIG. 6 is a top plan view thereof; and, FIG. 7 is a bottom plan view thereof.

The broken lines shown represent unclaimed subject matter and form no part of the claimed design.

1 Claim, 7 Drawing Sheets



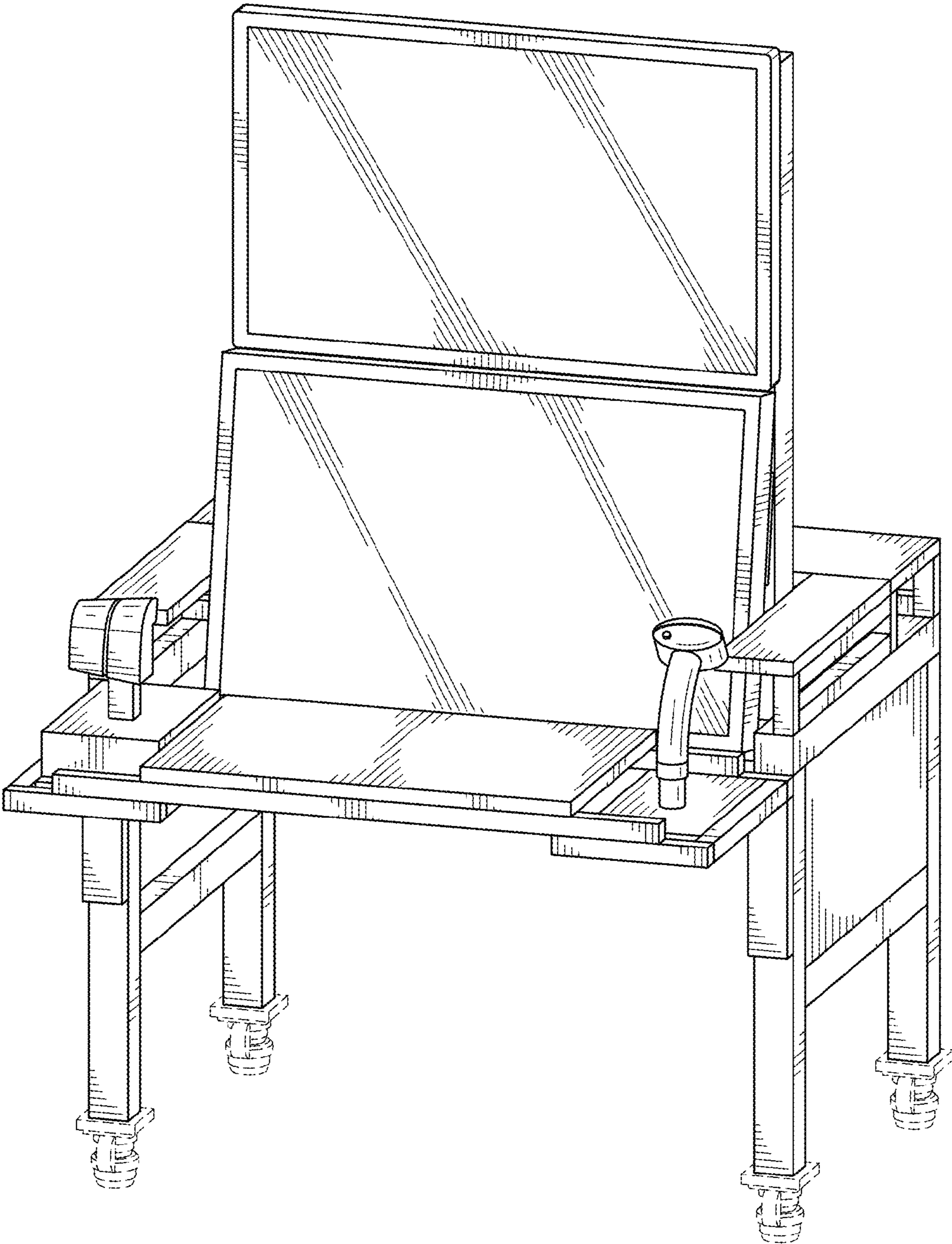


FIG. 1

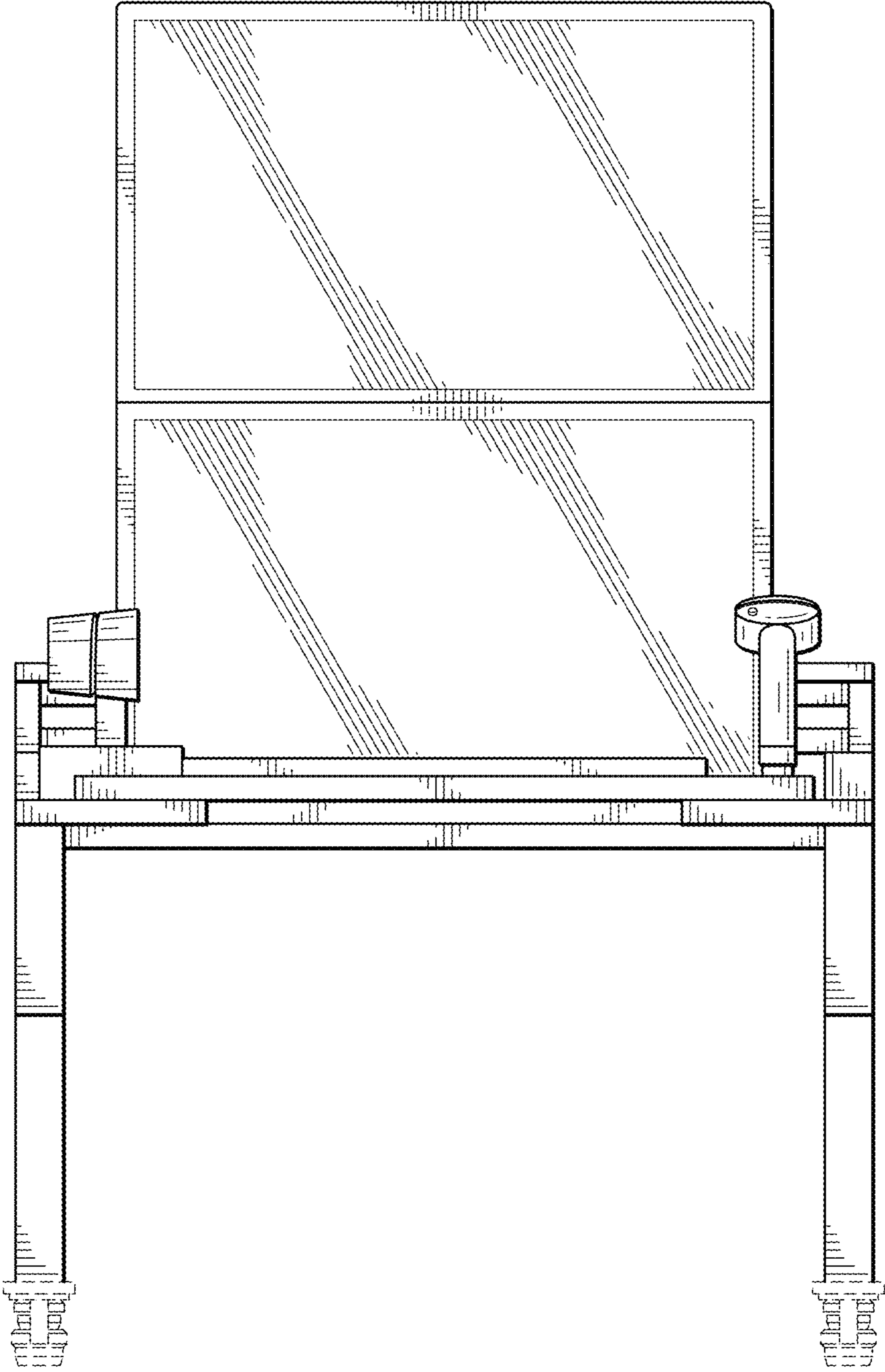


FIG. 2

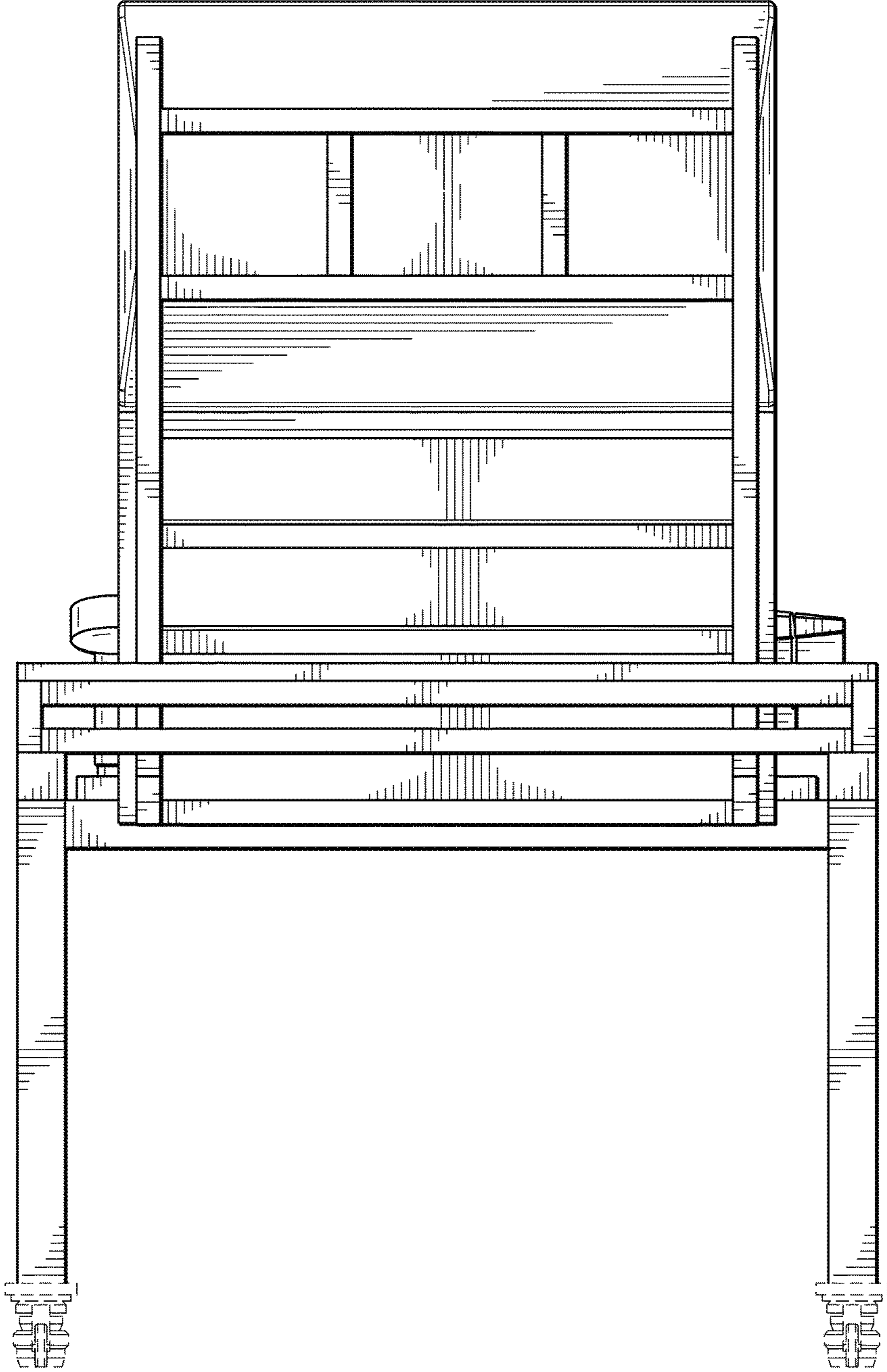


FIG. 3

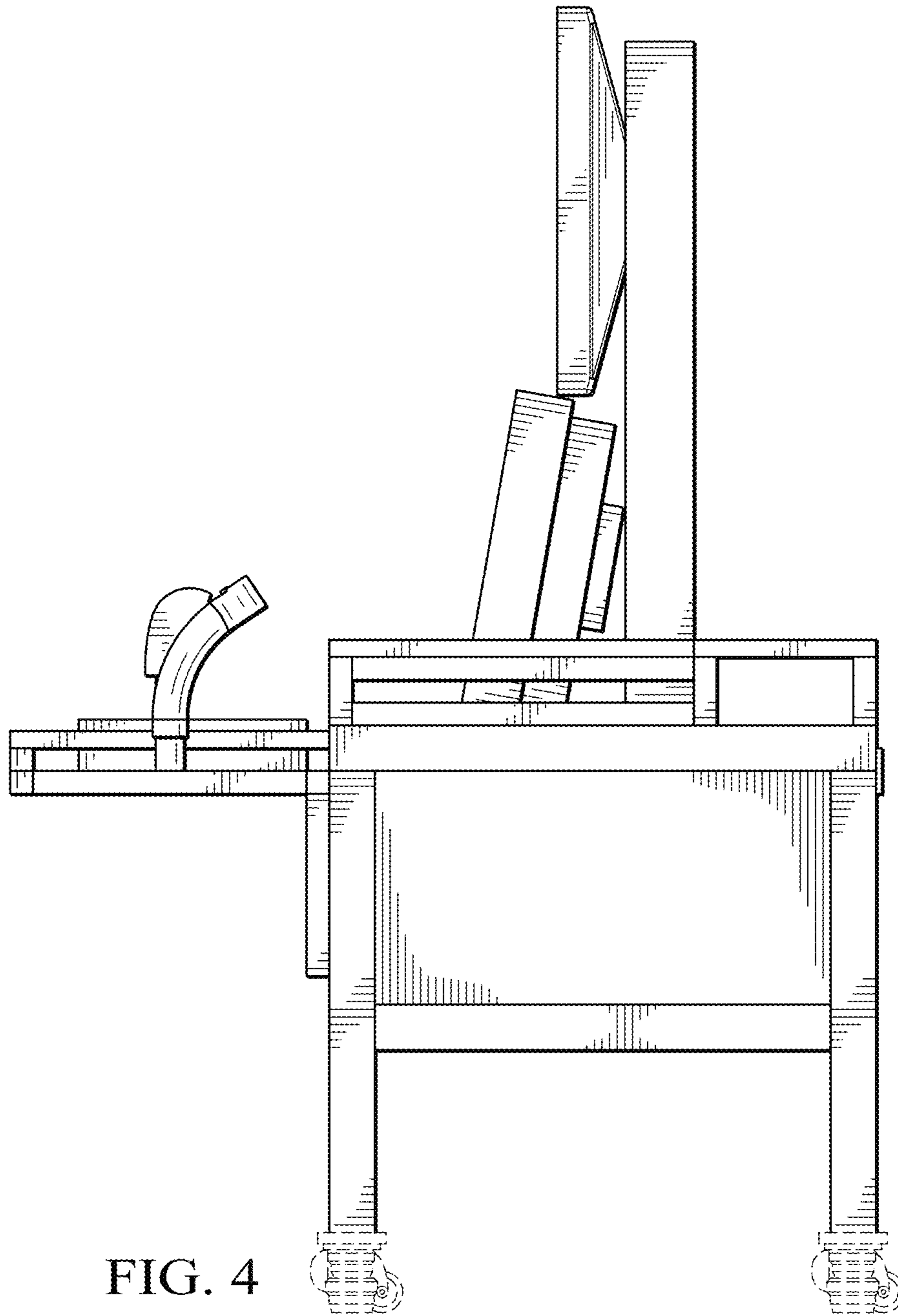


FIG. 4

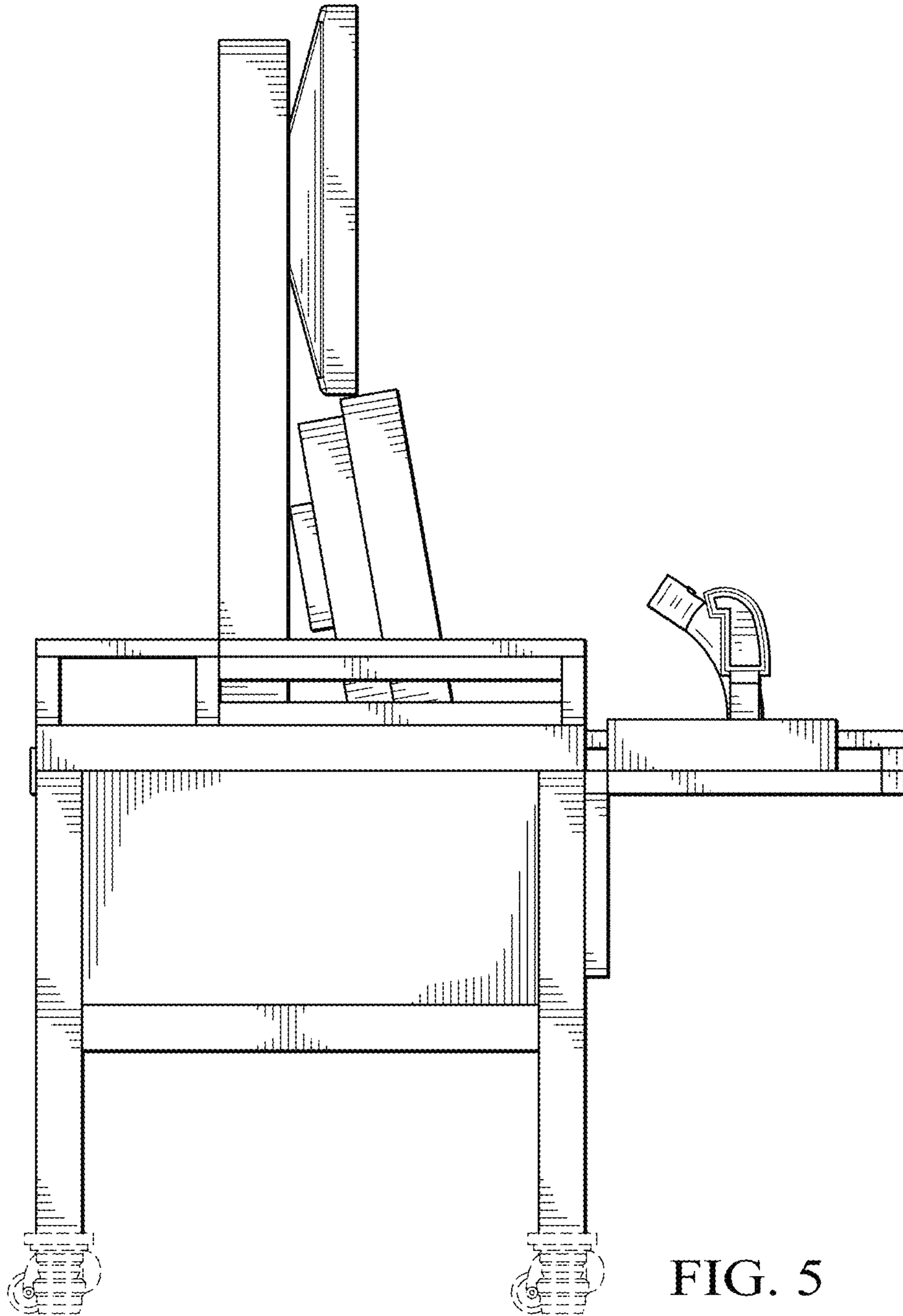


FIG. 5

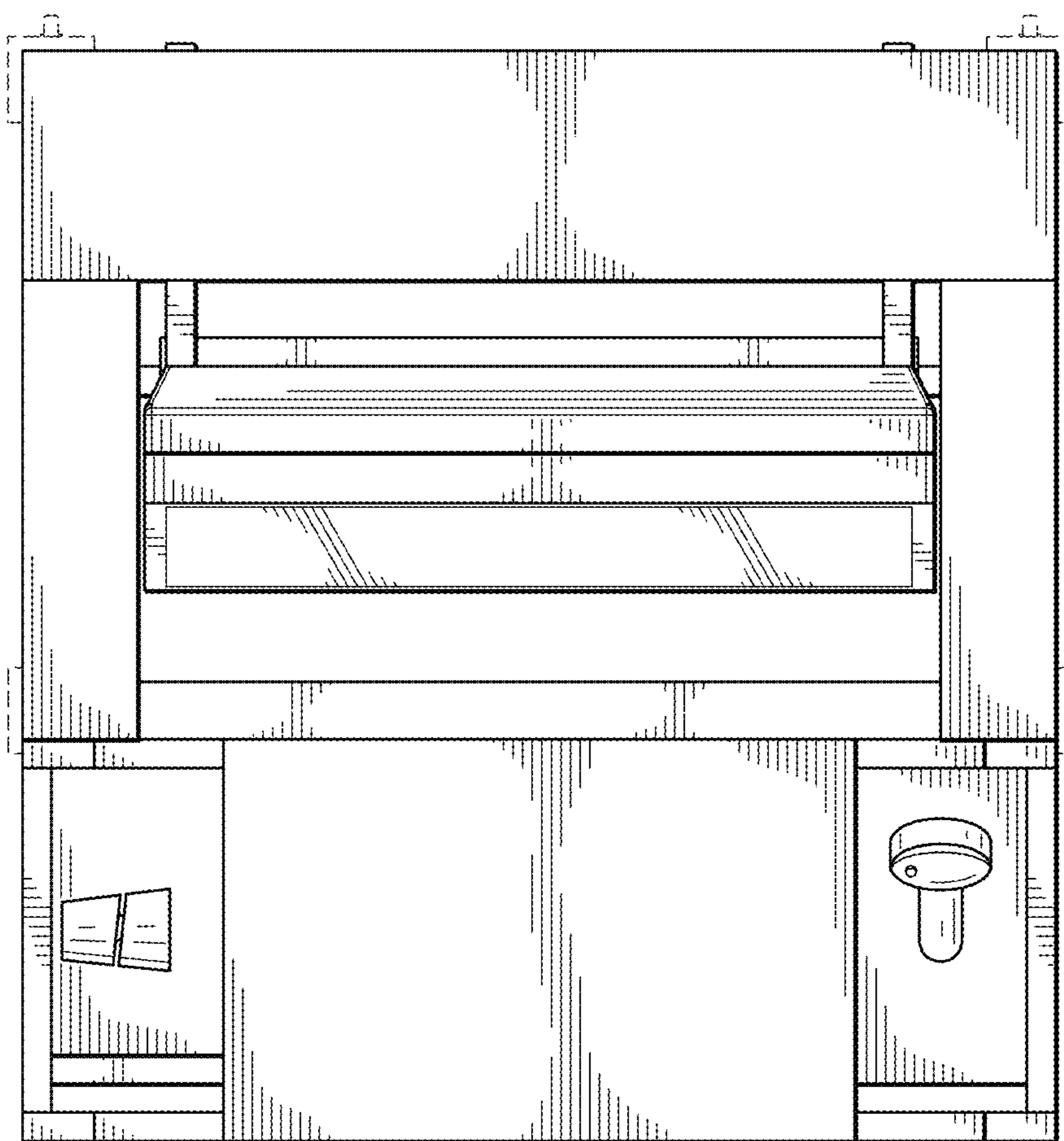


FIG. 6

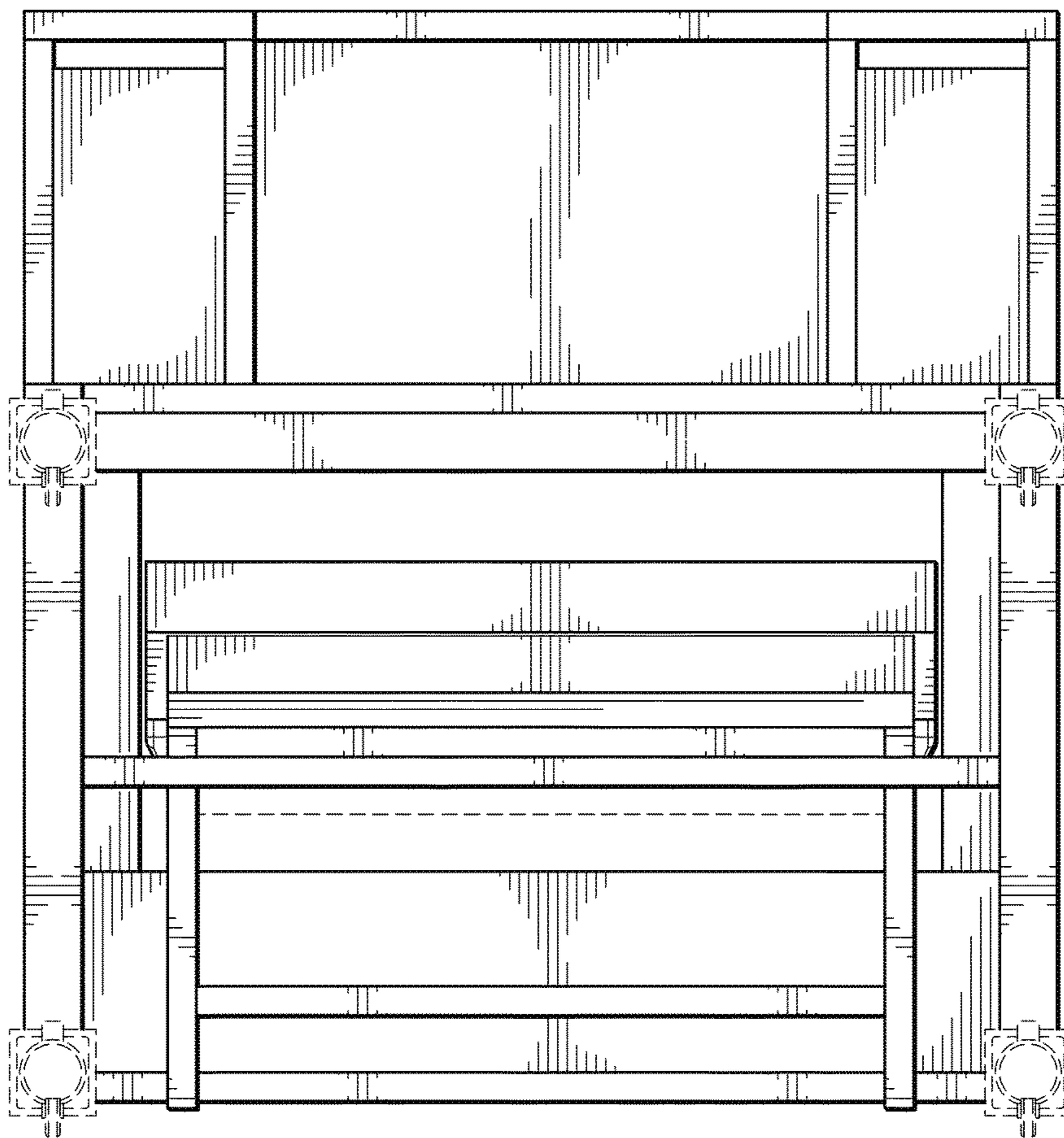


FIG. 7