



US00D732110S

(12) **United States Design Patent**
Lau et al.

(10) **Patent No.:** **US D732,110 S**
(45) **Date of Patent:** **** Jun. 16, 2015**

(54) **COUNTDOWN CALENDAR**

- (71) Applicant: **TARGET BRANDS, INC.**,
Minneapolis, MN (US)
- (72) Inventors: **Crystal Lau**, Minnetonka, MN (US);
Rebecca Blount Robledo, Minneapolis,
MN (US); **Katie Elizabeth Woletz**,
Minneapolis, MN (US)
- (73) Assignee: **Target Brands, Inc.**, Minneapolis, MN
(US)

(**) Term: **14 Years**

(21) Appl. No.: **29/466,336**

(22) Filed: **Sep. 6, 2013**

(51) **LOC (10) Cl.** **19-03**

(52) **U.S. Cl.**
USPC **D19/24**

(58) **Field of Classification Search**
USPC D19/20–24, 6, 52, 10, 76, 95, 99, 75,
D19/65; 52/38; 434/304; D11/95; 235/84;
281/15.1, 38; 283/72, 74–75, 103;
229/300–303; D20/22, 10, 27;
40/124.01–124.15, 107, 109–110;
D21/471, 484
CPC A63H 33/38; B42D 25/29; B42D 15/622;
B42D 15/022; B42D 15/042; B42D 15/045;
B42D 15/027

See application file for complete search history.

(56) **References Cited**

U.S. PATENT DOCUMENTS

- D245,913 S * 9/1977 Macowski D19/25
- D279,915 S * 7/1985 Pibet D21/500
- D285,702 S * 9/1986 Henkels D19/20
- D337,785 S * 7/1993 Peersmann D19/25
- D413,636 S * 9/1999 Laserna Fernandez D21/499
- D442,210 S * 5/2001 Chan D18/2
- D498,789 S * 11/2004 Lawson D19/25

(Continued)

OTHER PUBLICATIONS

“Real Food Tips: Advent Calendars (Without Candy!)”, printed from
www.100daysofrealfood.com/2012/11/30/real-food-tips-advent-
calendars-without-candy/, posted Nov. 30, 2012 (4 pages).

(Continued)

Primary Examiner — Caron D Veynar

Assistant Examiner — Abraham Bahta

(74) *Attorney, Agent, or Firm* — JoAnn M. Seaton; Griffiths
& Seaton PLLC

(57) **CLAIM**

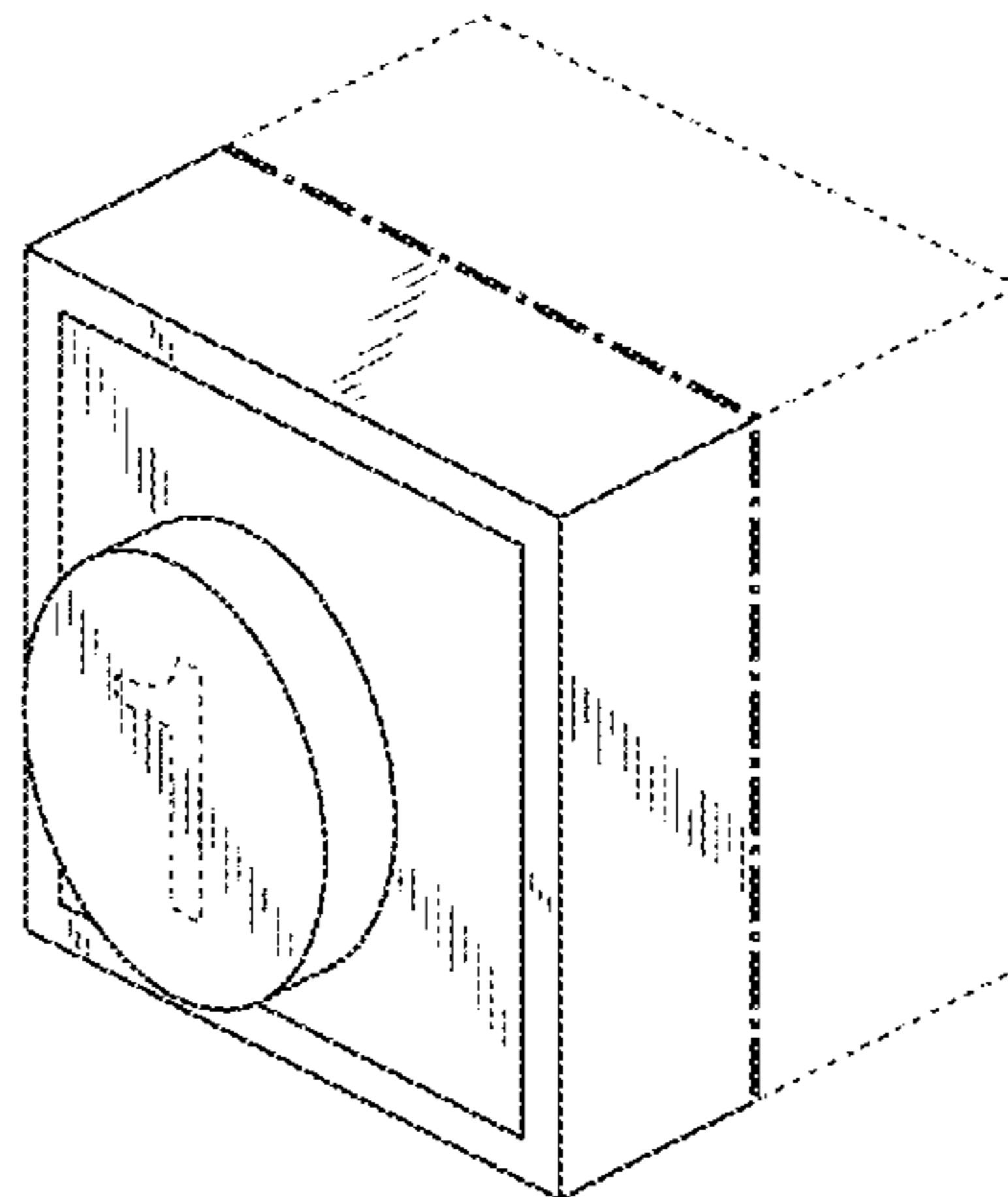
The ornamental design for a countdown calendar, as shown
and described.

DESCRIPTION

FIG. 1 is a front perspective view of the countdown calendar
showing our new design;
FIG. 2 is a front view thereof;
FIG. 3 is a rear view thereof;
FIG. 4 is a right side view thereof, the left side view being a
mirror image of the right side view;
FIG. 5 is a top view thereof; and
FIG. 6 is a front perspective view of the countdown calendar
in an open position;
FIG. 7 is another front perspective view of the countdown
calendar;
FIG. 8 is a front view thereof;
FIG. 9 is a rear view thereof;
FIG. 10 is a right side view thereof;
FIG. 11 is a left side view thereof;
FIG. 12 is a top view thereof; and,
FIG. 13 is a bottom view thereof.

The features shown in broken lines with consistent dash
lengths illustrate portions of the countdown calendar or envi-
ronmental subject matter to the countdown calendar forming
no part of the claimed design. The features shown in long
dash-short dash bolded broken lines indicate the bounds of
the claimed design and otherwise form no part of the claimed
design.

1 Claim, 10 Drawing Sheets



(56)

References Cited

U.S. PATENT DOCUMENTS

D668,302 S * 10/2012 Hino D21/501
 D684,625 S * 6/2013 Andre D19/20
 D686,279 S * 7/2013 Andre D19/20

OTHER PUBLICATIONS

“This Writing Life . . .”, printed from <http://westcobich.wordpress.com/tag/advent-calendars/>, posted Nov. 4, 2011 (2 pages).
 “New Apothecary Chest Drawer Organizer”, printed from www.ebay.com/itm/New-Apothecary-chest-drawer-organizer-tea-bag-herb-jewelry-5-styles-choose-/261213043427, available at least as early as May 4, 2013 (5 pages).
 “Fair Isle Advent Calendar: Target”, printed from www.houzz.com/photos/2003402/Fair-Isle-Advent-Calendar---Target-traditional-holiday-decorations-, available at least as early as May 31, 2013, per <http://web.archive.org> (2 pages).
 “Numbered Cabinet Tutorial”, printed from <http://urbanfarmgirlandco.blogspot.com/2012/02/numbered-cabinet-tutorial.html>, posted Feb. 22, 2012 (16 pages).
 “Shadow Box Advent Calendar (Echo Park and Kaisercraft)”, printed from www.papervinenz.com/2012/11/advent-calendar-echo-park-blog-hop.html, posted Nov. 20, 2012 (13 pages).
 “Pine Wood—Wooden Advent Calendar with 24 Opening Doors”, printed from www.craftmill.co.uk/shop-by-occasion/christmas-craft-ideas/wooden-advent-calendar, available at least as early as Sep. 5, 2013 (2 pages).
 “Counting Down to Christmas”, printed from www.pocketfuls.ca/2010_11_01_archive.html, posted Nov. 28, 2010 (10 pages).

“Christmas Advent Countdown Calendar using Flair!”, printed from <http://scrappergirl.typepad.com/aflairforbuttons/2012/11/christmas-advent-countdown-calendar-using-flair.html>, posted on Nov. 17, 2012 (6 pages).
 “Apothecary Cabinet—My Obsession with These Amazing Beauties!”, printed from <http://www.shabbychicdiary.com/apothecary-cabinet/>, posted on Nov. 17, 2012 (17 pages).
 “Christy Nelson Tag Archive—Advent”, printed from www.christynelson.net/tag/advent/, available at least as early as Dec. 4, 2009 (4 pages).
 Photo of Halloween Calendar publicly sold at Target Stores at least as early as Sep. 2010 (1 page).
 “Vintage Office Desk Kitchen Organizer with 6 Drawers”, printed from www.etsy.com/uk/listing/155999766/vintage-retro-office-desk-organizer, pictured item publicly available at least as early as 1959 (2 pages).
 “2011 Wooden Christmas Advent Calendar, Gift Box Design”, printed from www.alibaba.com/product-gs/458352431/2011_Wooden_Christmas_advent_calendar_gift.html, publicly available at least as early as Nov. 29, 2011, per <http://web.archive.org> (5 pages).
 “Set of 2 Wooden Drawers Treasury Boxes” printed from www.etsy.com/au/listing/123069213/set-of-2-wooden-drawers-treasury-boxes, available at least as early as Jul. 15, 2013 (2 pages).
 Photograph of an Advent calendar found at an unknown website on the Internet Feb. 15, 2013 (1 page).
 Office Action from Canadian Patent Application No. 154210, mailed Nov. 6, 2014 (3 pages).

* cited by examiner

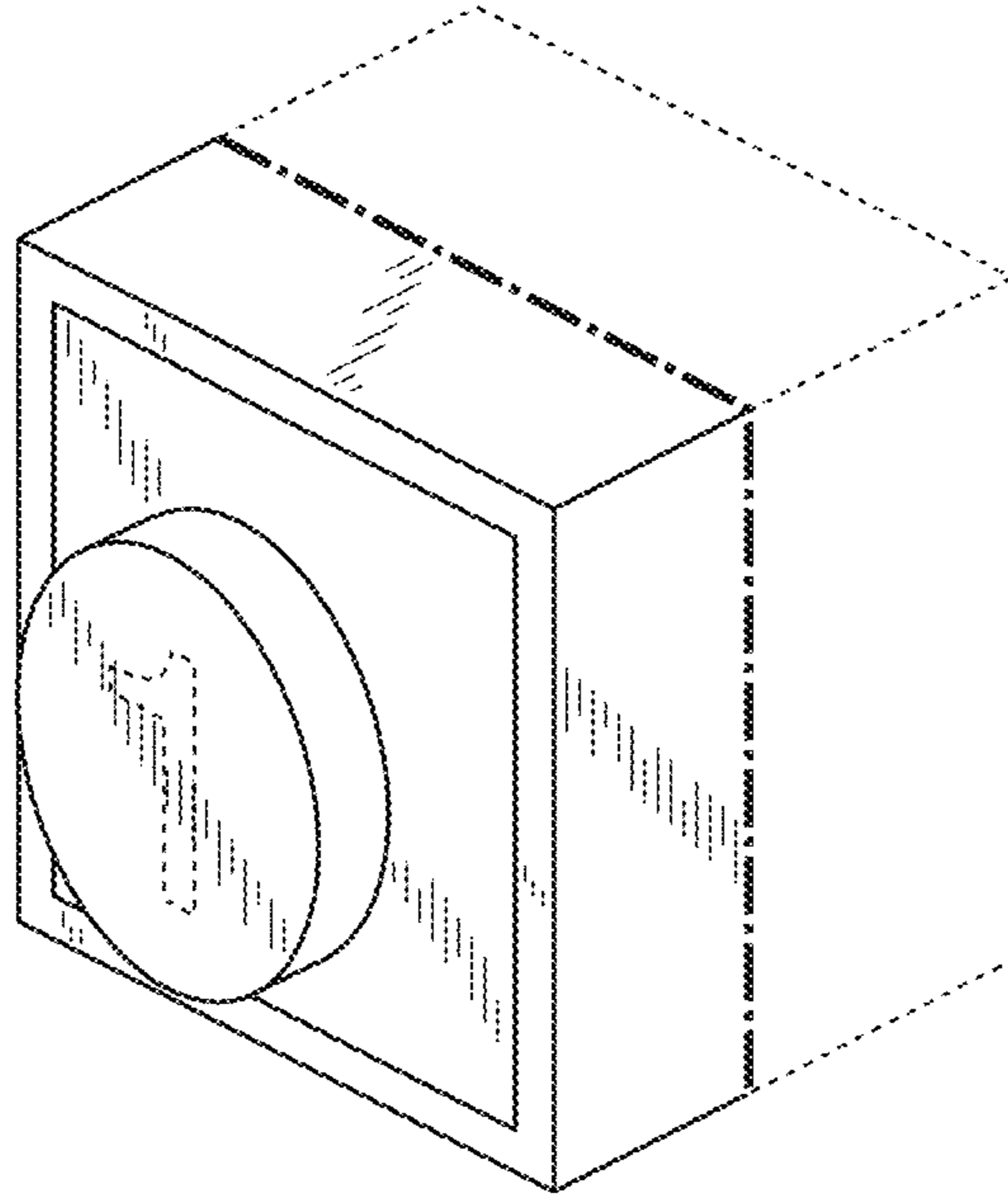


FIG. 1

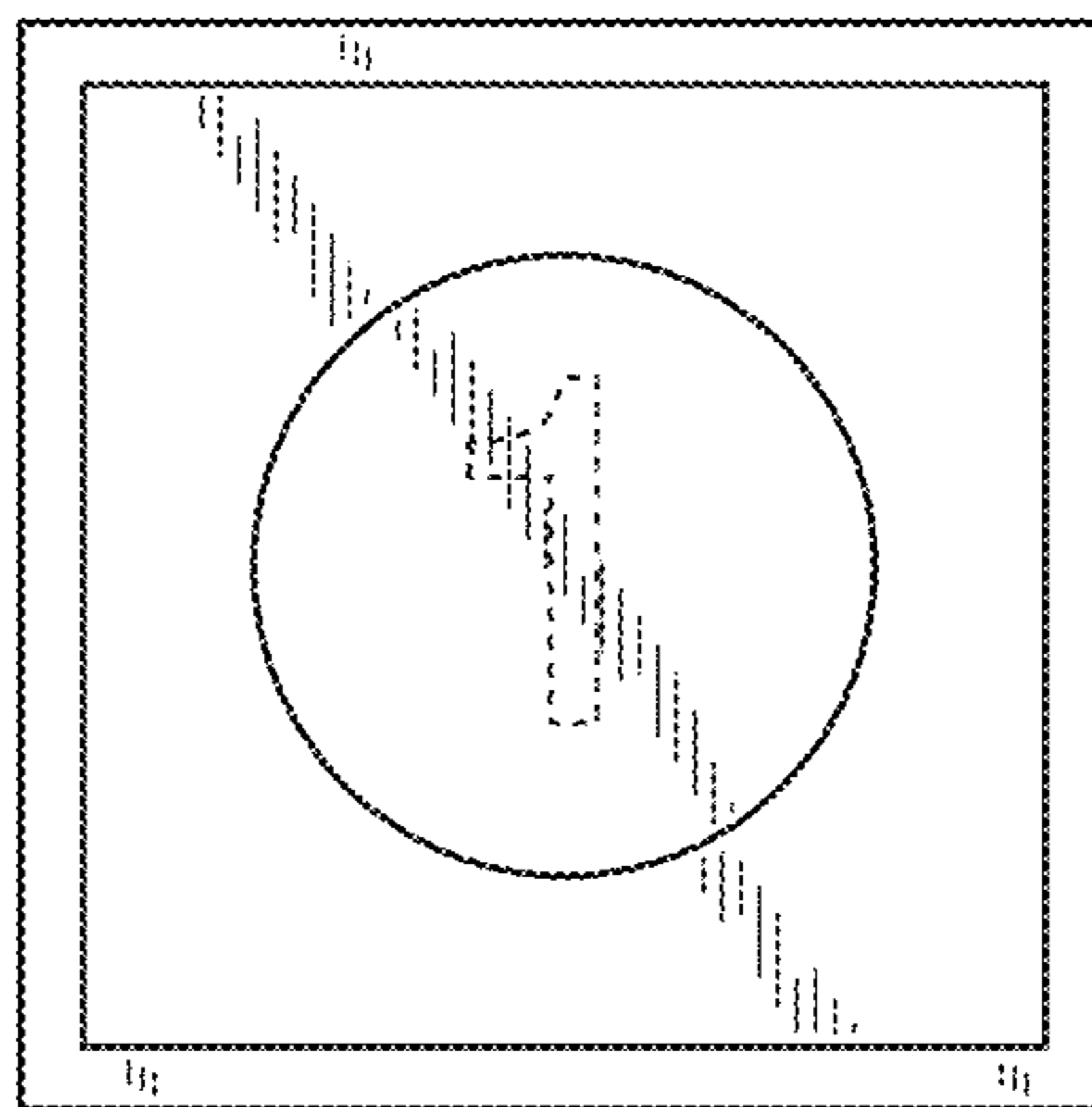


FIG. 2



FIG. 3

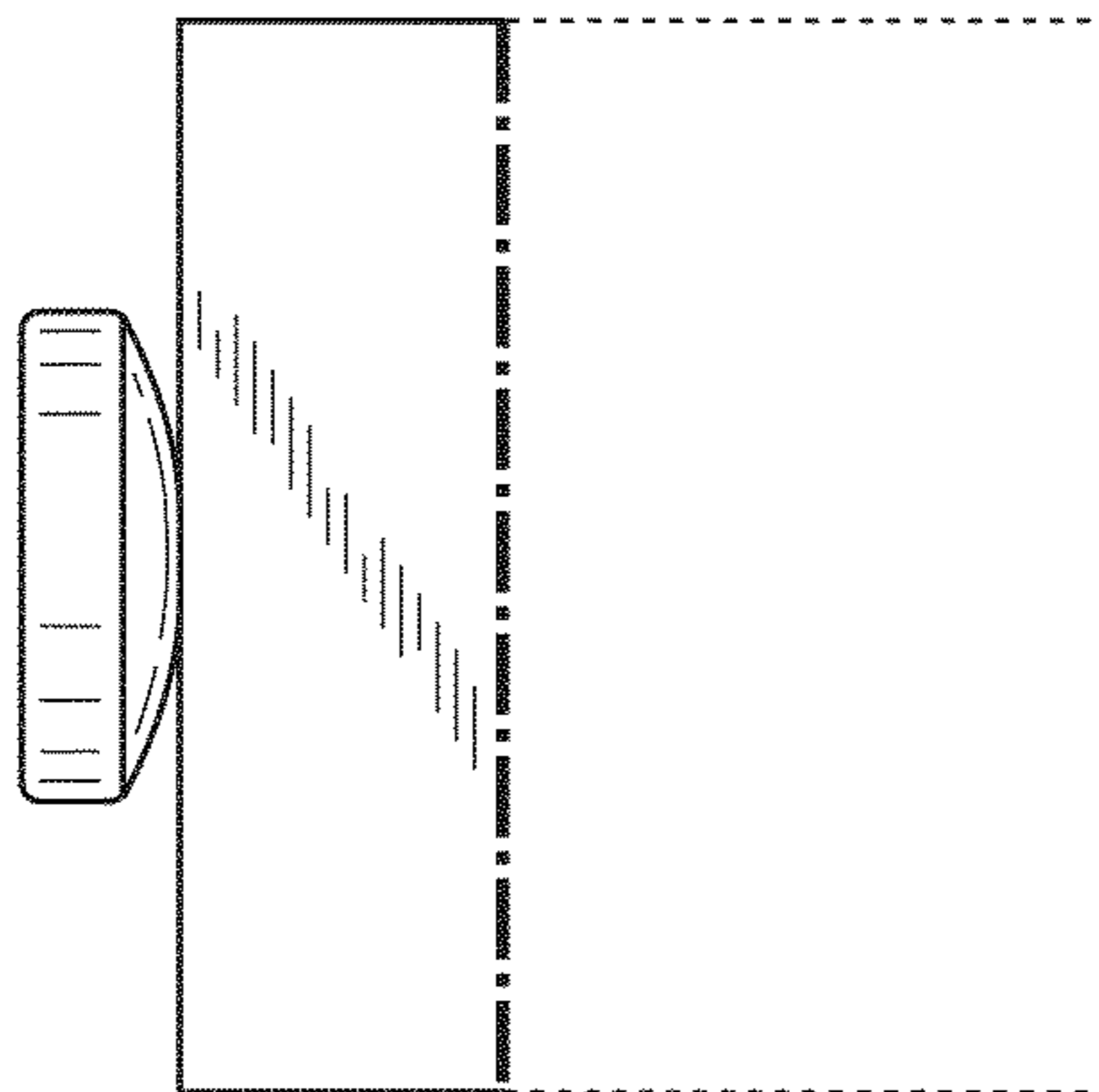


FIG. 4

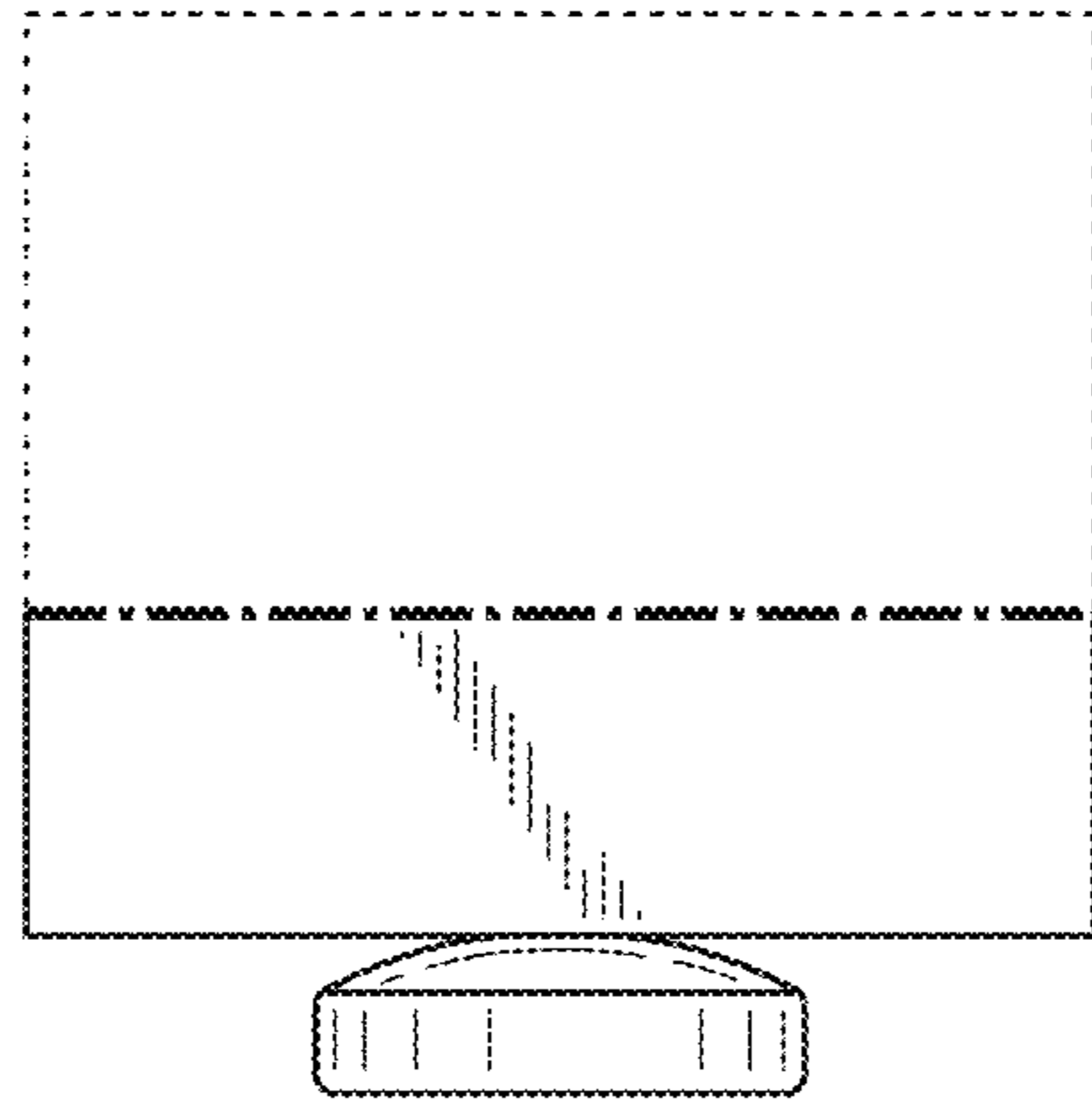


FIG. 5

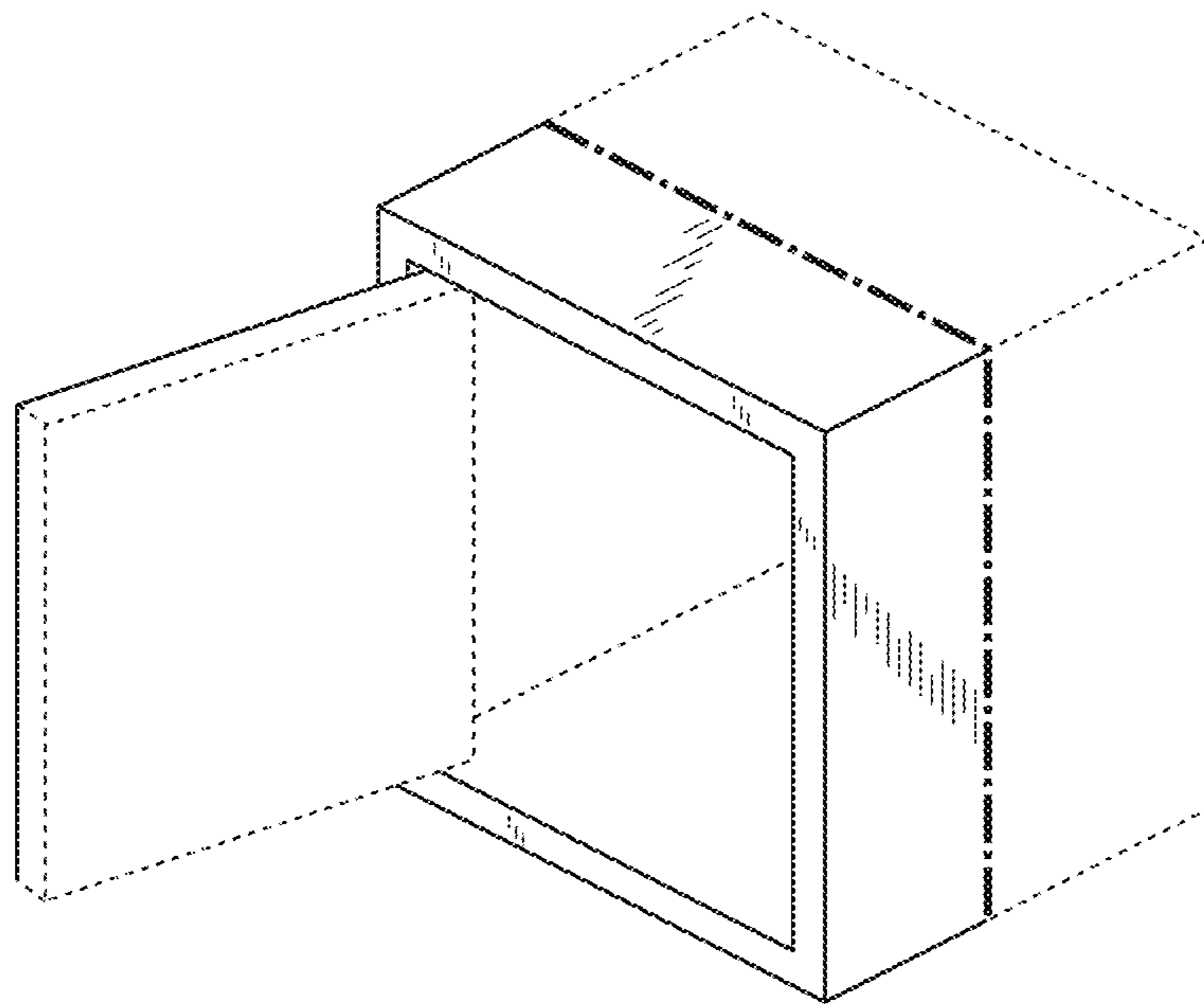


FIG. 6



FIG. 7

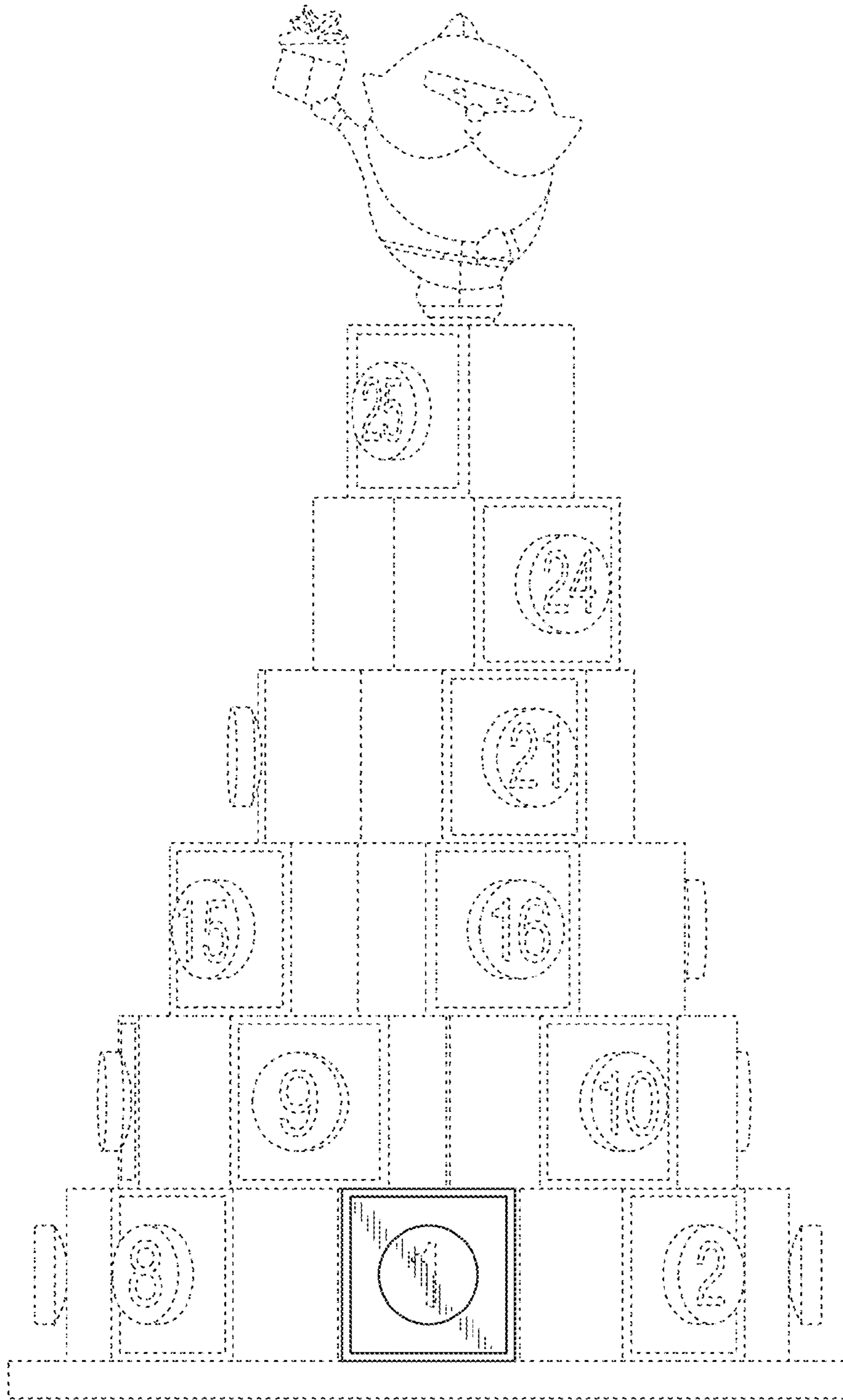


FIG. 8



FIG. 9

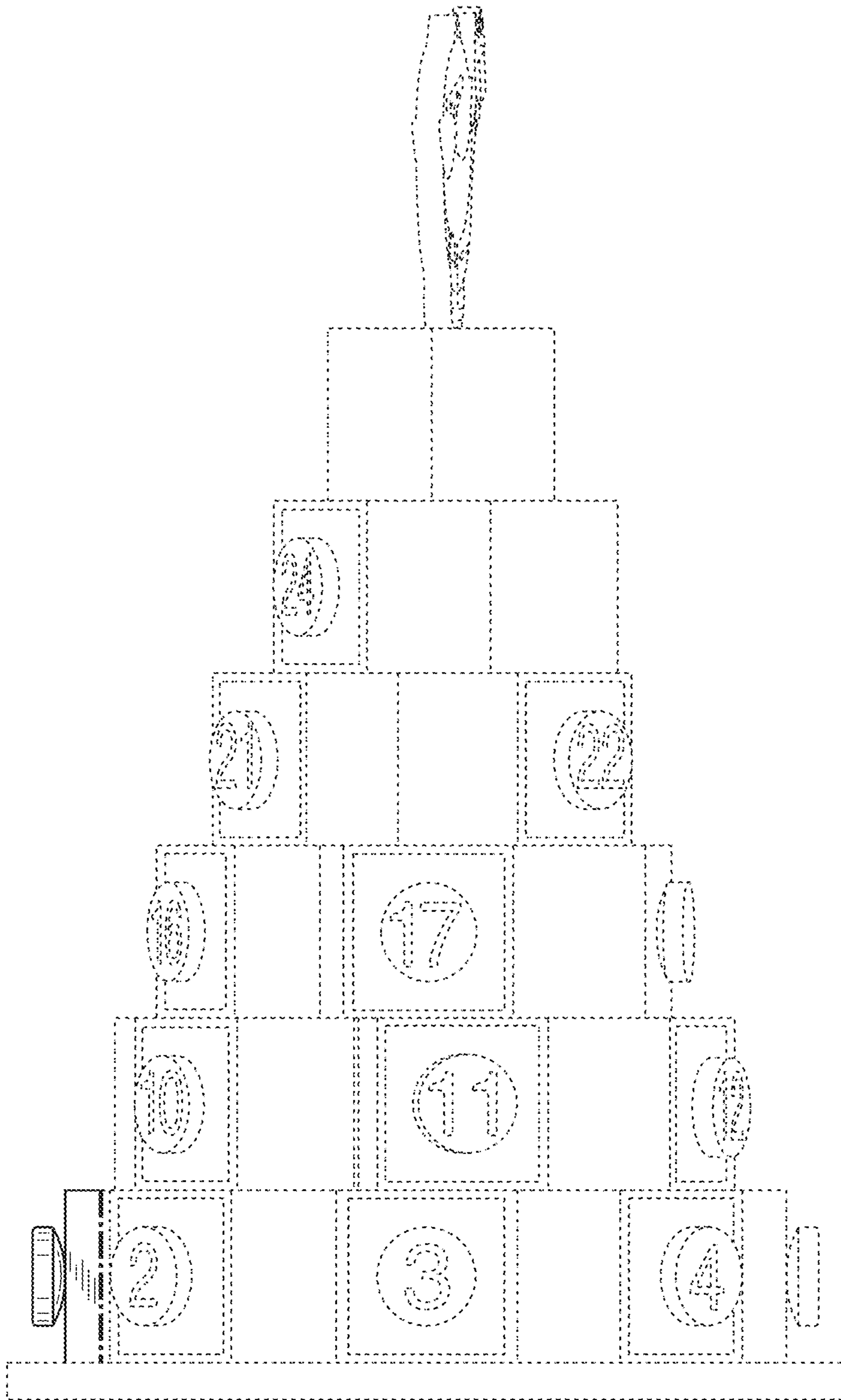


FIG. 10

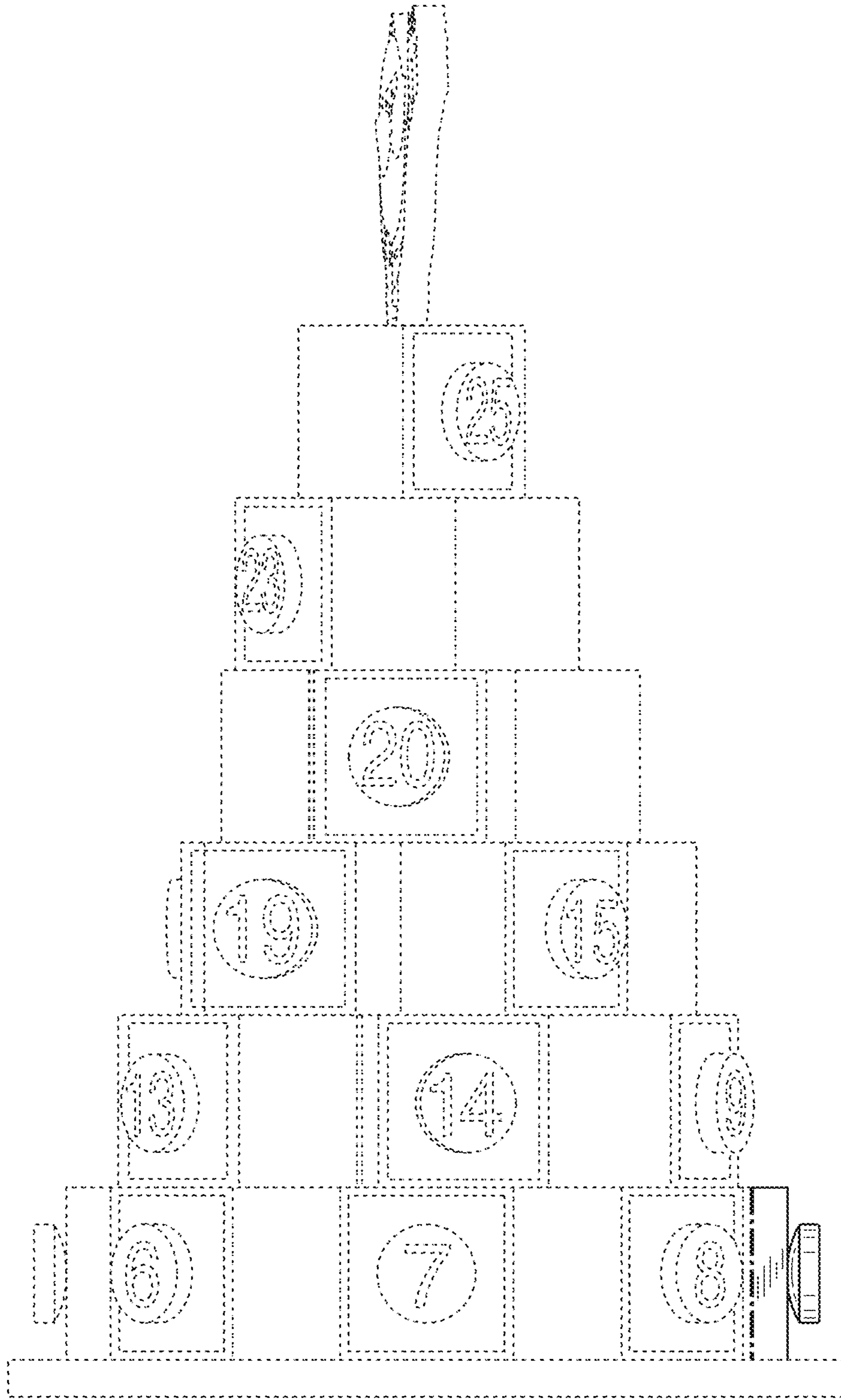


FIG. 11

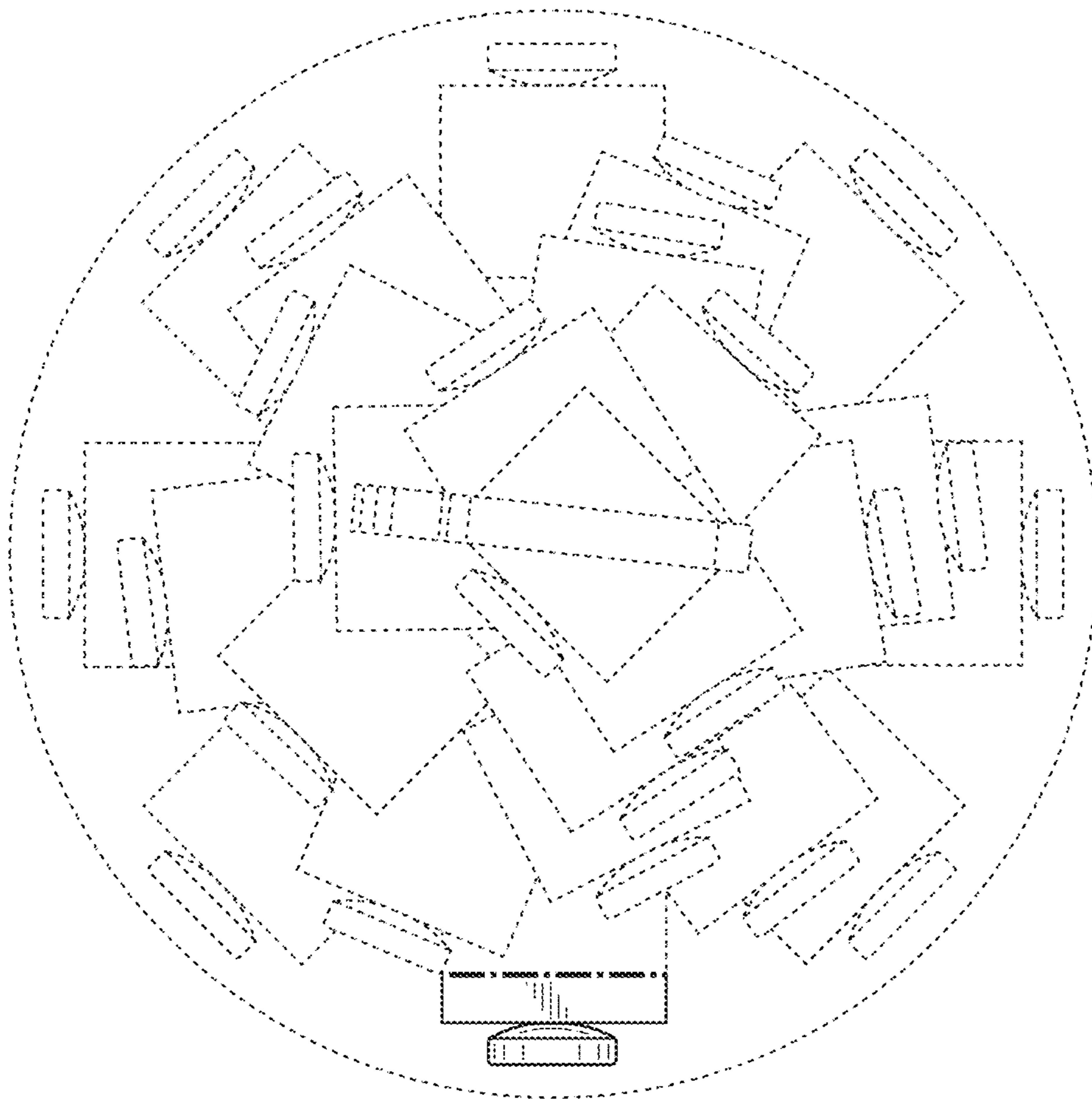


FIG. 12

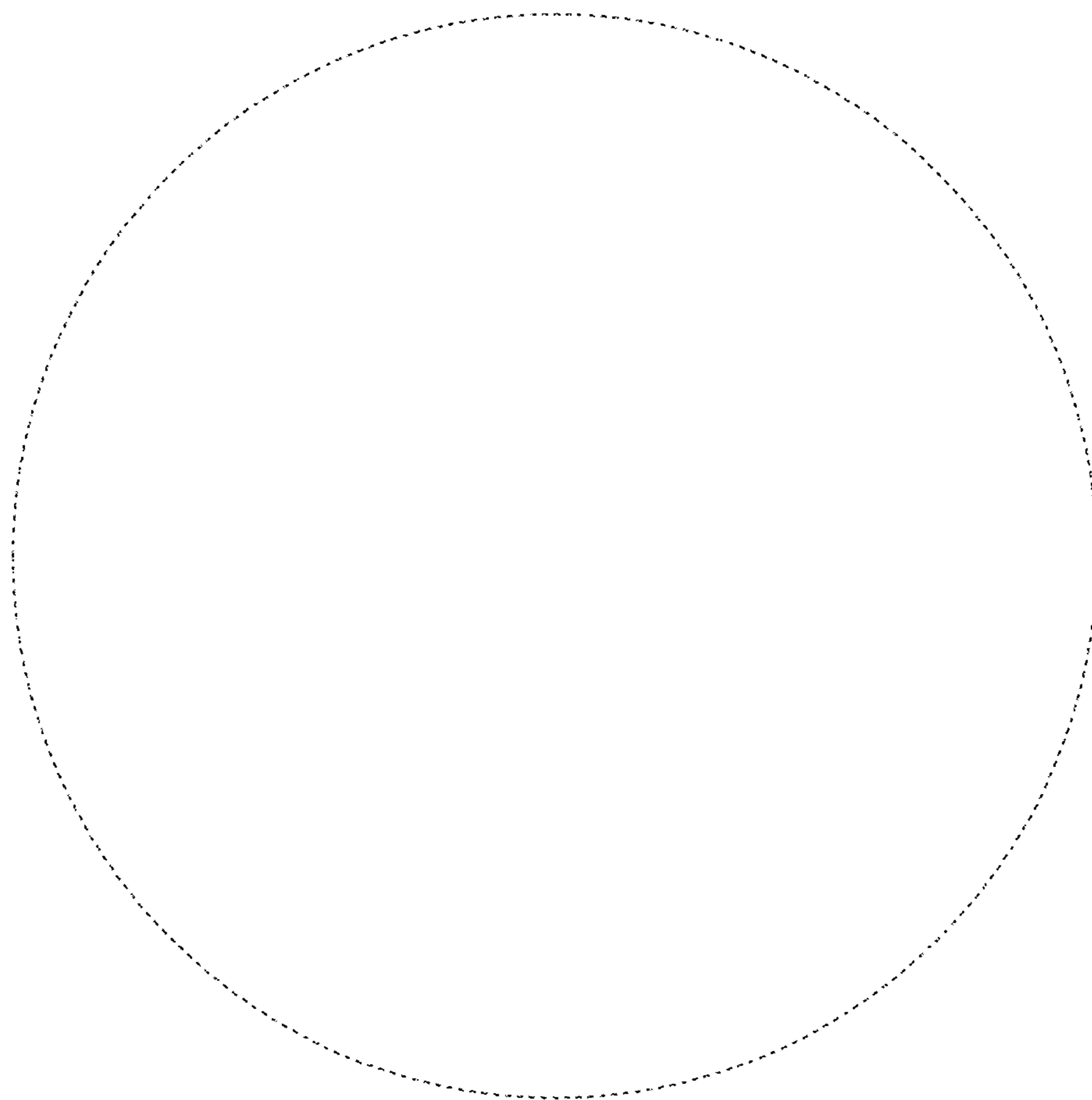


FIG. 13