

US00D732109S

(12) **United States Design Patent**
Chung et al.

(10) **Patent No.:** **US D732,109 S**

(45) **Date of Patent:** **** Jun. 16, 2015**

(54) **MULTIFUNCTION PRINTER**

(71) Applicant: **Samsung Electronics Co., Ltd.**,
Suwon-si (KR)

(72) Inventors: **Won-Suk Chung**, Seoul (KR); **Jeffrey Brown**, Mason, OH (US); **John Travis Wettroth**, Cary, NC (US); **Joyce Jing-Ling Chiang**, Irvine, CA (US); **Kyle Oldfield**, Cincinnati, OH (US); **Soo-Shin Choi**, Cincinnati, OH (US)

(73) Assignee: **SAMSUNG ELECTRONICS CO., LTD.** (KR)

(**) Term: **14 Years**

(21) Appl. No.: **29/481,972**

(22) Filed: **Feb. 12, 2014**

(51) **LOC (10) Cl.** **14-02**

(52) **U.S. Cl.**
USPC **D18/50**

(58) **Field of Classification Search**
USPC D18/6-7, 14, 19, 50, 54.1, 54, 55;
D14/420-426, 462-470; 400/613,
400/613.1-613.4, 690.1-690.4, 691-694
See application file for complete search history.

(56) **References Cited**

U.S. PATENT DOCUMENTS

D328,594 S *	8/1992	Kobayashi	D14/424
D418,864 S *	1/2000	Igarashi	D18/49
D428,891 S *	8/2000	Harada et al.	D14/425
D457,885 S *	5/2002	Yanagihara et al.	D14/420

D524,851 S *	7/2006	Wong et al.	D18/55
D550,279 S *	9/2007	Tani	D18/50
D617,799 S *	6/2010	Odhe et al.	D14/420
D620,492 S *	7/2010	Tang et al.	D14/422
7,841,792 B2 *	11/2010	Cook et al.	400/624
D645,897 S *	9/2011	Chuang et al.	D18/50
D669,119 S *	10/2012	Sato et al.	D18/50
D702,237 S *	4/2014	Oberpriller et al.	D14/423

* cited by examiner

Primary Examiner — Cathy A MacCormac

(74) *Attorney, Agent, or Firm* — Cantor Colburn LLP

(57) **CLAIM**

We claim, the ornamental design for a multifunction printer, as shown and described.

DESCRIPTION

FIG. 1 is a front perspective view of a multifunction printer, showing our new design;
 FIG. 2 is a front view thereof;
 FIG. 3 is a rear view thereof;
 FIG. 4 is a left side view thereof;
 FIG. 5 is a right side view thereof;
 FIG. 6 is a top view thereof;
 FIG. 7 is a bottom view thereof;
 FIG. 8 is another right side view of the multifunction printer in an alternate position; and,
 FIG. 9 is a front perspective view of the multifunction printer in an environment of use.
 The broken lines illustrating portions of the multifunction printer are for environmental purposes only and form no part of the claimed design.

1 Claim, 7 Drawing Sheets

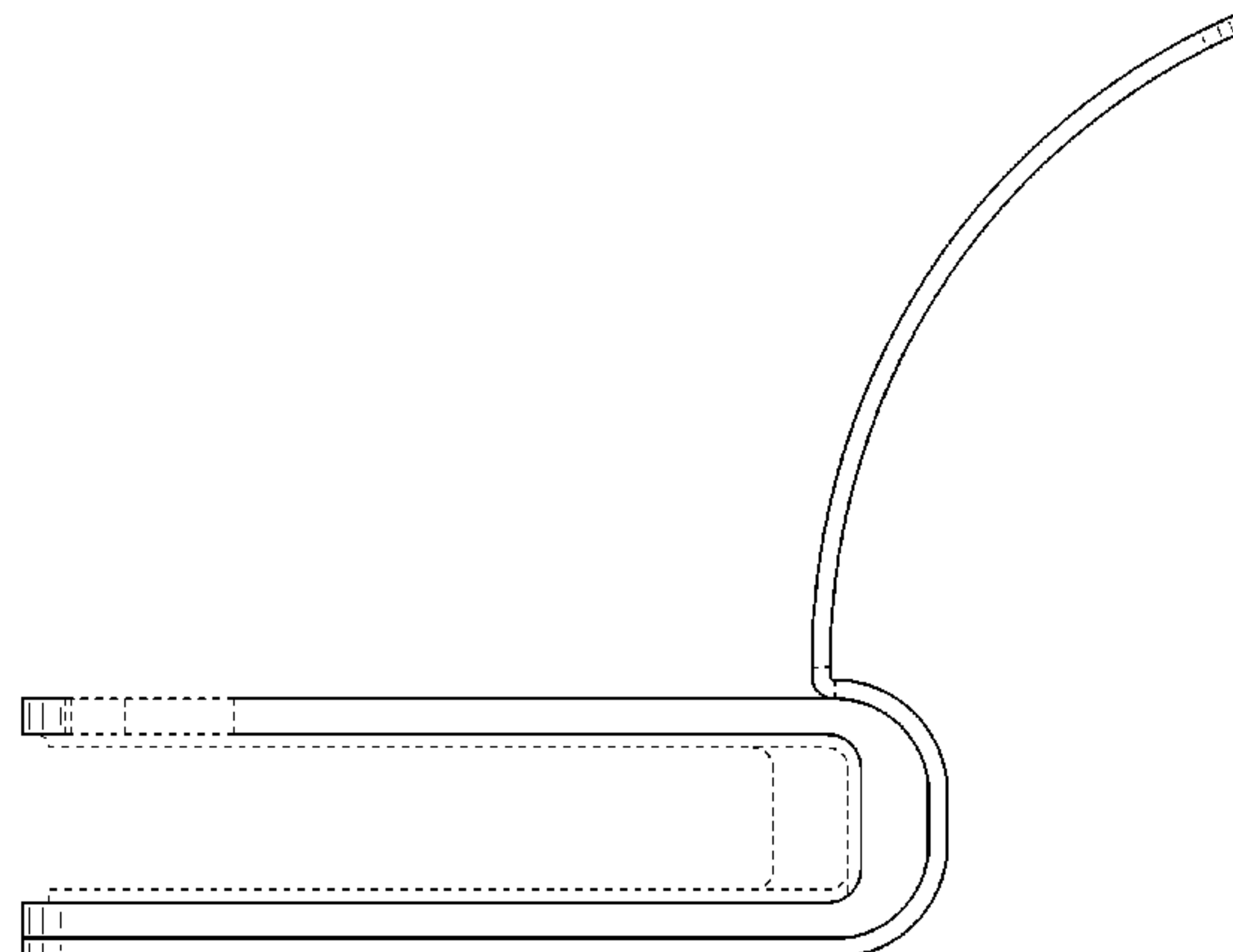
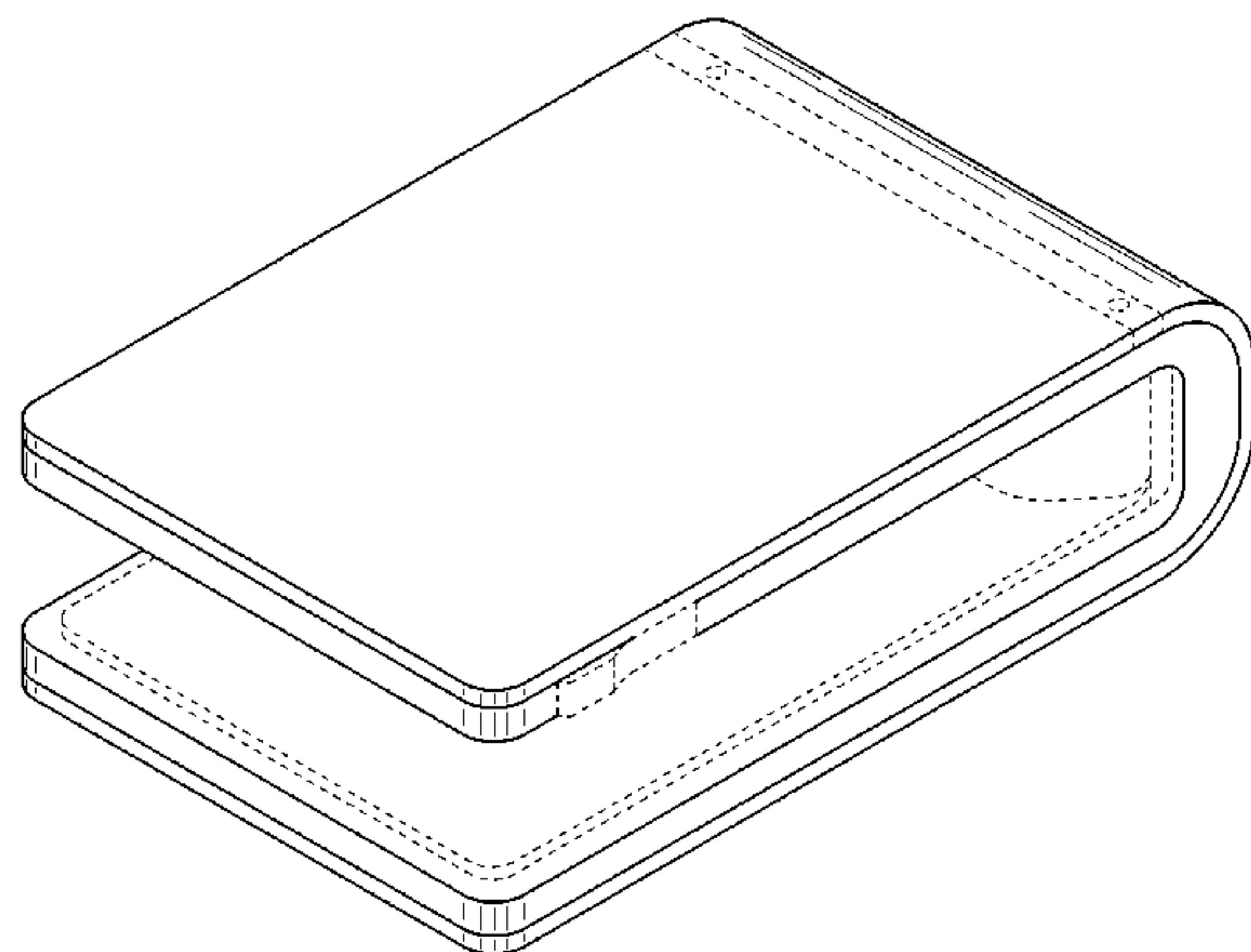


FIG.1

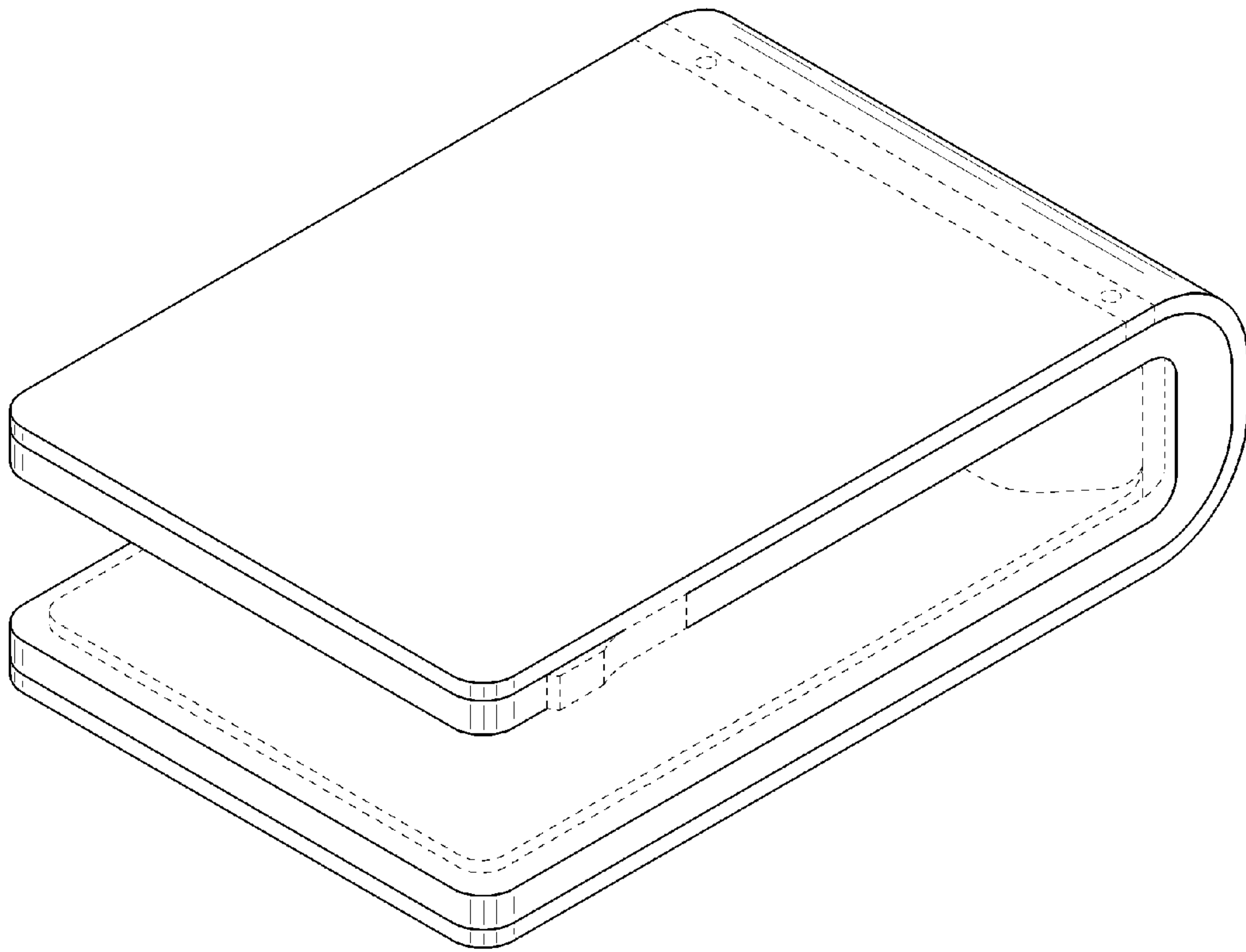


FIG.2

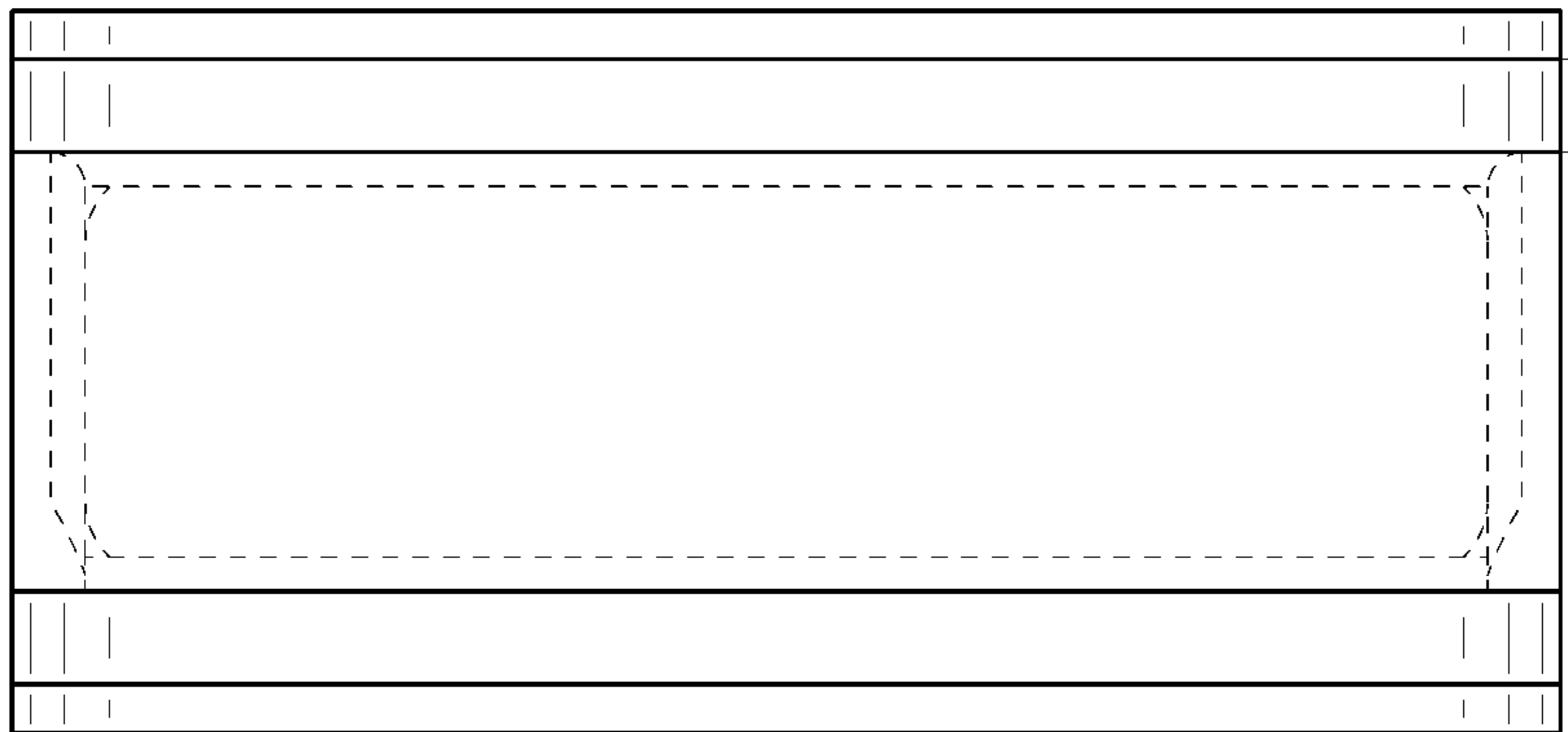


FIG.3

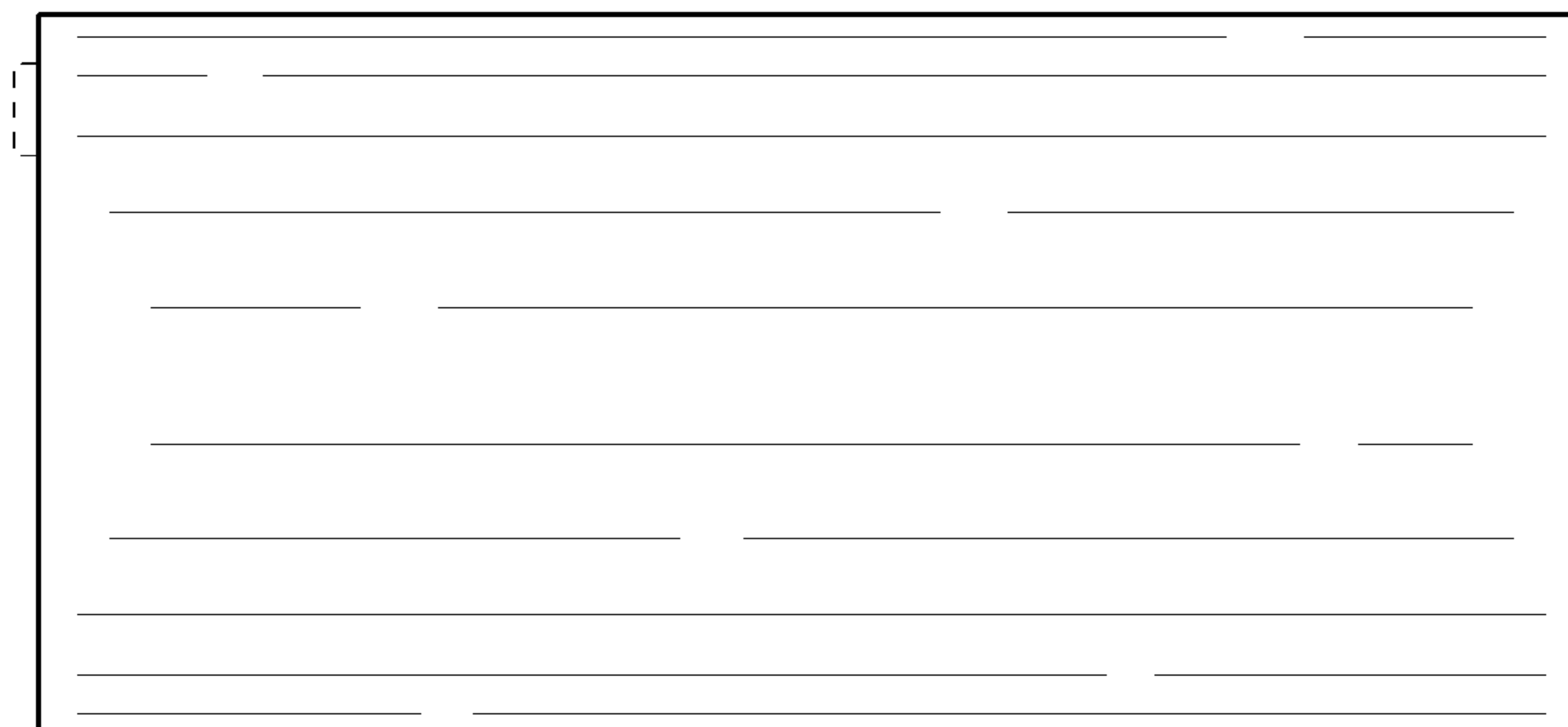


FIG.4

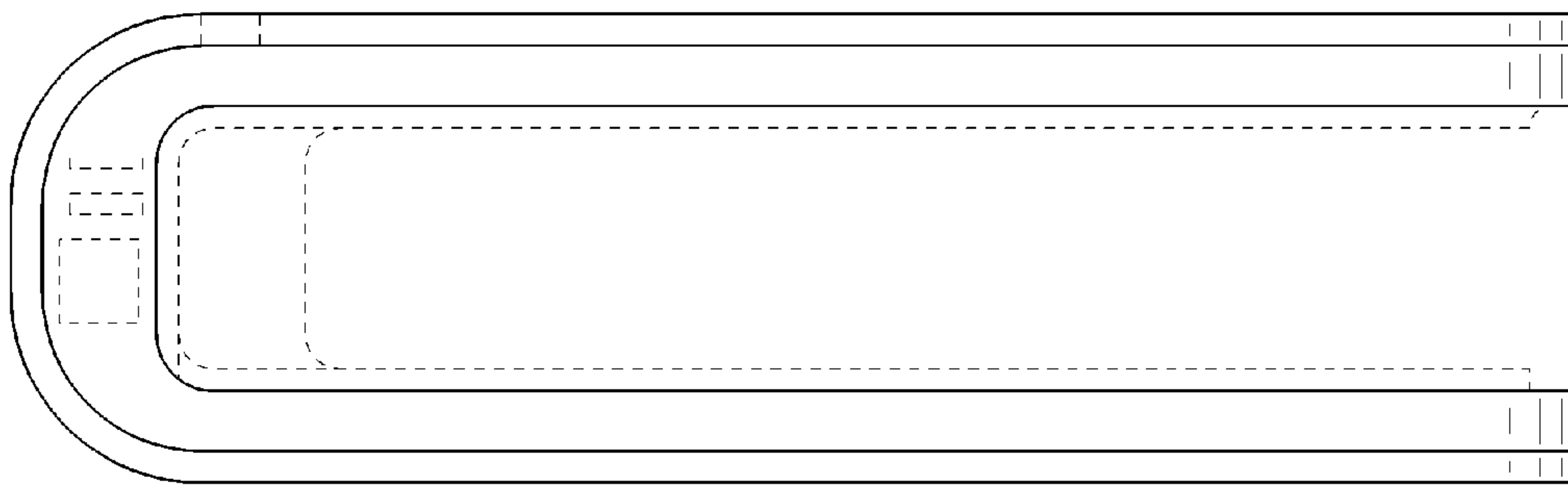


FIG.5

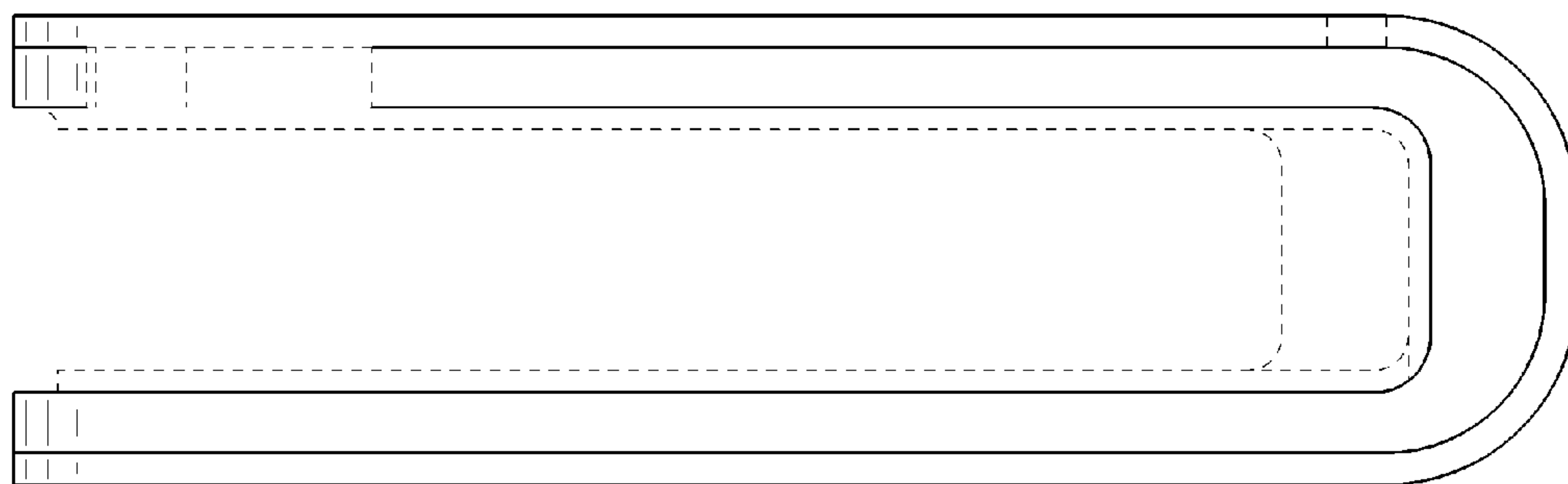


FIG.6

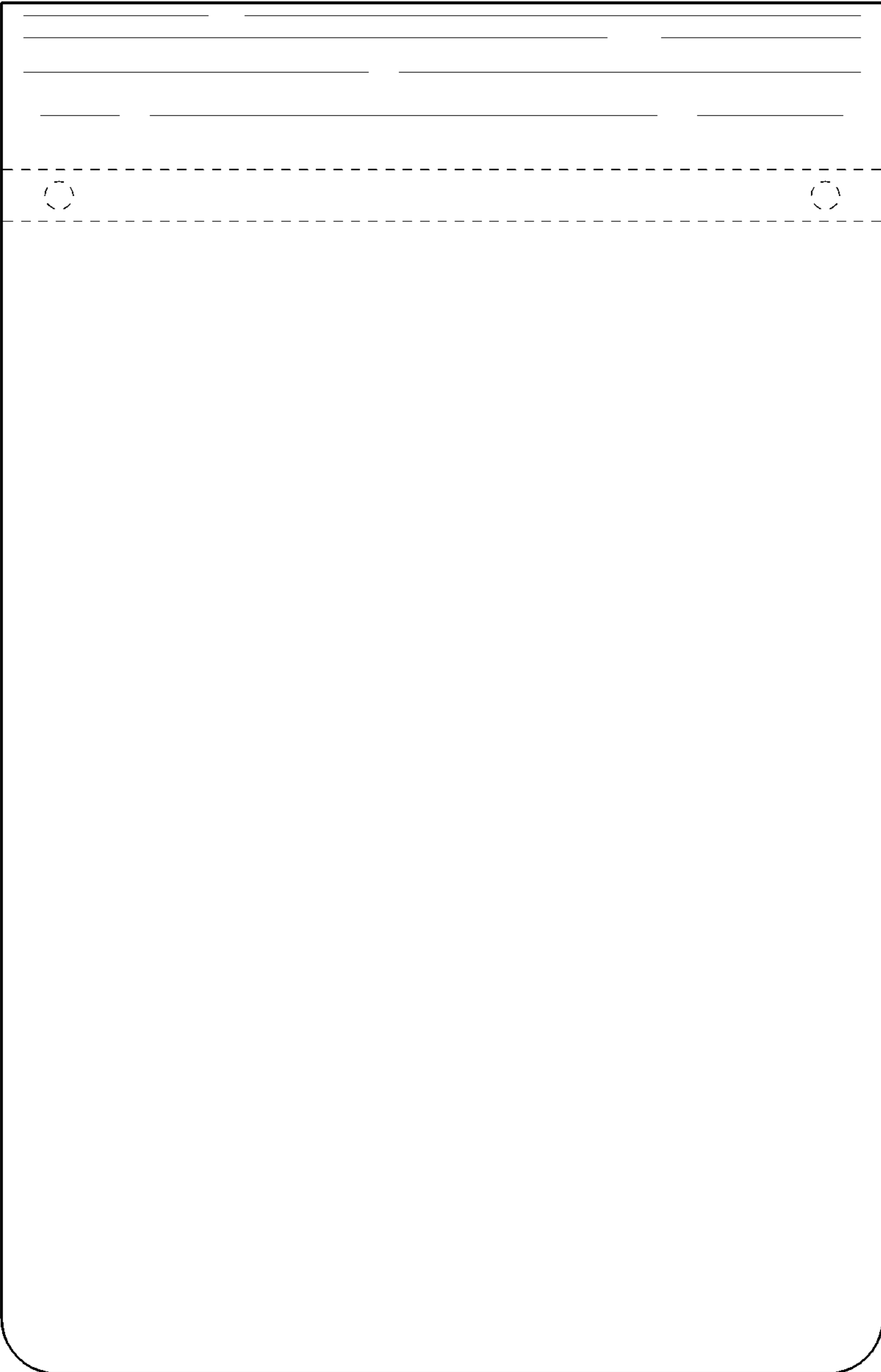


FIG.7

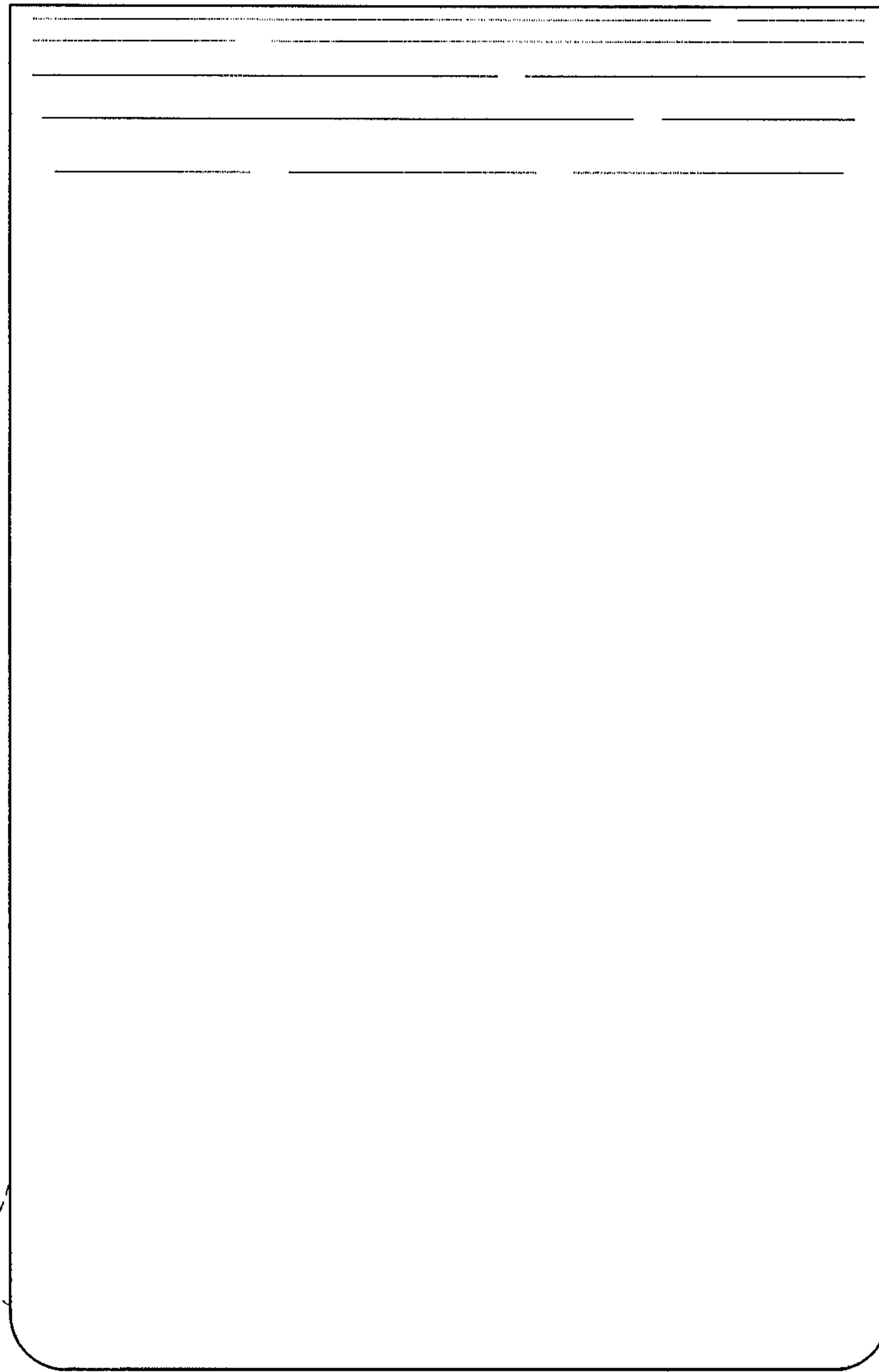


FIG.8

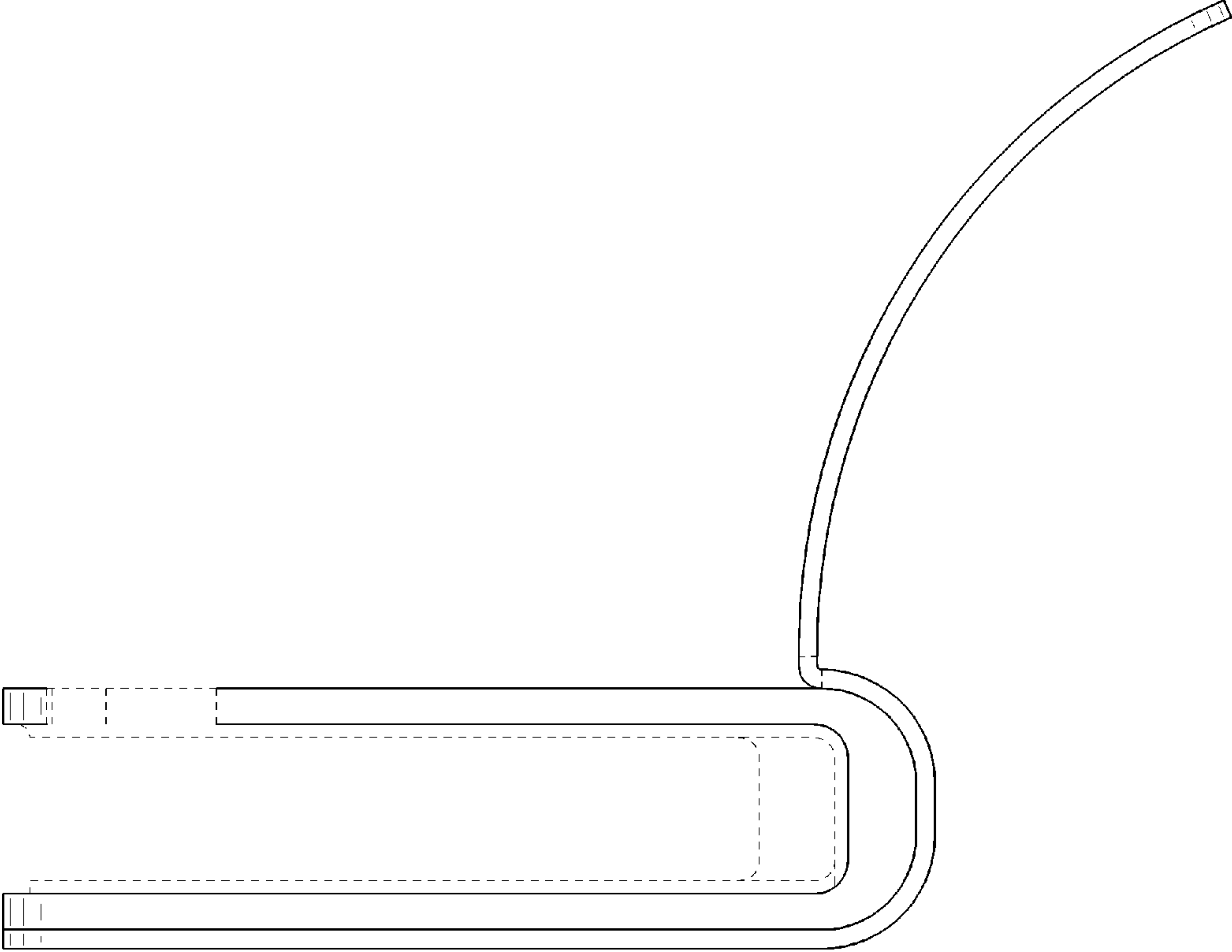


FIG.9

