

US00D732107S

(12) **United States Design Patent**
Huang et al.

(10) **Patent No.:** **US D732,107 S**
(45) **Date of Patent:** **** Jun. 16, 2015**

(54) **DRIVING WHEEL FOR PHOTSENSITIVE DRUM**

(71) Applicant: **General Plastic Industrial Co., Ltd,**
Taichung (TW)

(72) Inventors: **Shih-Chieh Huang,** Taichung (TW);
Min-Hui Tsai, Shalu Township,
Taichung County (TW)

(73) Assignee: **GENERAL PLASTIC INDUSTRIAL CO., LTD,** Taichung (TW)

(**) Term: **14 Years**

(21) Appl. No.: **29/470,838**

(22) Filed: **Oct. 25, 2013**

(51) **LOC (10) Cl.** **16-03**

(52) **U.S. Cl.**
USPC **D18/43**

(58) **Field of Classification Search**
USPC D18/12, 36, 40, 43, 44, 54, 56;
D14/471; 399/11, 92, 106, 110, 113,
399/119, 120, 127, 167, 222-224, 230, 254,
399/350, 353; 347/197, 222
CPC F16D 1/00; F16D 1/10; F16D 2001/102
See application file for complete search history.

(56) **References Cited**

U.S. PATENT DOCUMENTS

D667,049	S *	9/2012	Park et al.	D18/43
D678,940	S *	3/2013	Huck et al.	D18/43
D698,861	S *	2/2014	Huang et al.	D18/43
D712,959	S *	9/2014	Murayama et al.	D18/43
2009/0010681	A1 *	1/2009	Huck et al.	399/167
2010/0303501	A1 *	12/2010	Tsui	399/167
2014/0140728	A1 *	5/2014	Huang et al.	399/167
2015/0050049	A1 *	2/2015	Huang	399/167

* cited by examiner

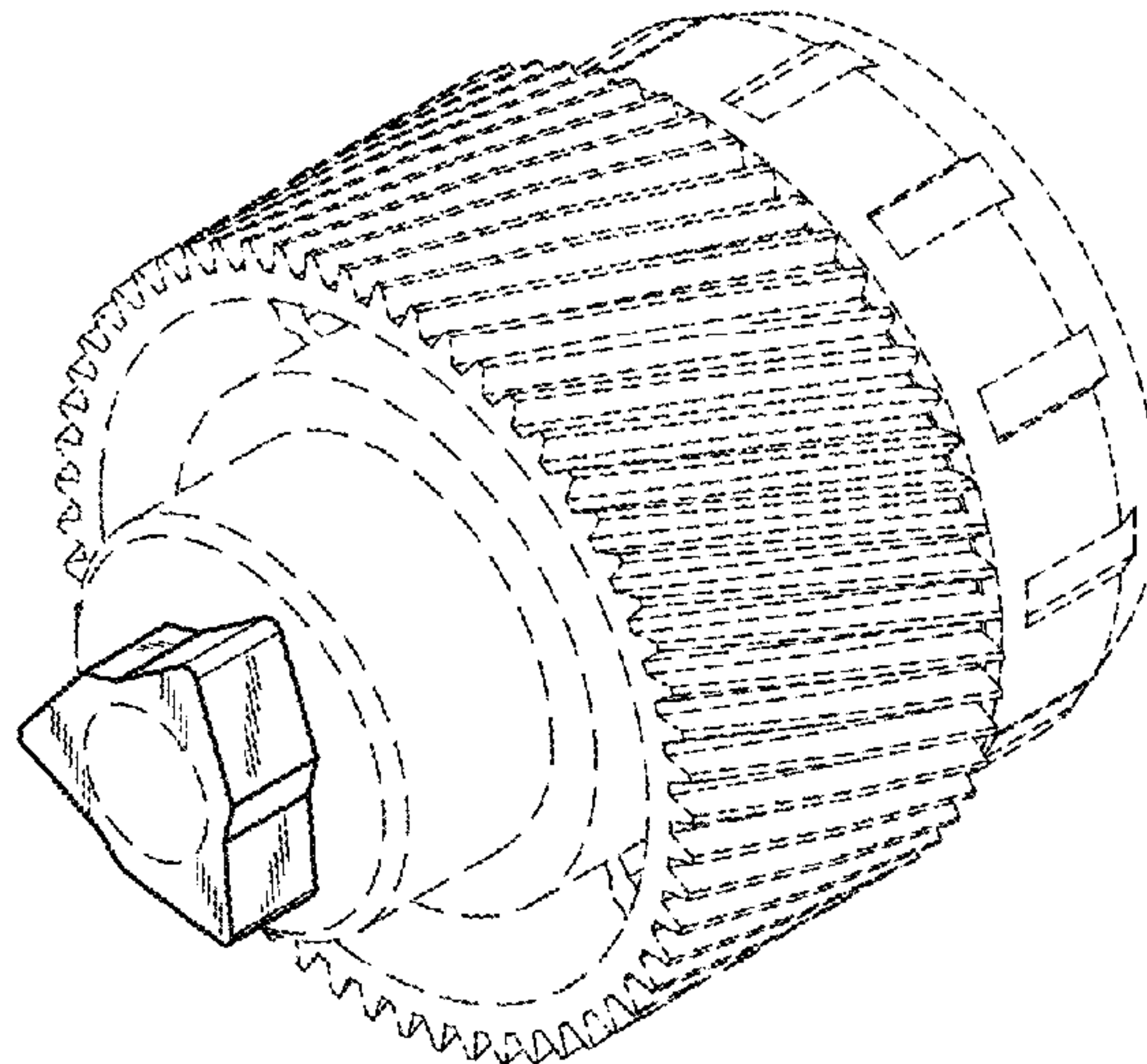
Primary Examiner — Michael A Pratt
(74) *Attorney, Agent, or Firm* — Muncy, Geissler, Olds & Lowe, P.C.

(57) **CLAIM**
The ornamental design for driving wheel for photosensitive drum, as shown and described.

DESCRIPTION

FIG. 1 shows a perspective view of a first embodiment of a driving wheel for photosensitive drum.
FIG. 2 is another perspective view of the first embodiment.
FIG. 3 shows a front view of the first embodiment.
FIG. 4 is a perspective view showing that the first embodiment of the present design is engaged with a photosensitive drum.
FIG. 5 shows a perspective view of a second embodiment of a driving wheel for photosensitive drum.
FIG. 6 is another perspective view of the second embodiment.
FIG. 7 shows a front view of the second embodiment.
FIG. 8 shows a perspective view of a third embodiment of a driving wheel for photosensitive drum.
FIG. 9 is another perspective view of the third embodiment.
FIG. 10 shows a front view of the third embodiment.
FIG. 11 shows a perspective view of a fourth embodiment of a driving wheel for photosensitive drum.
FIG. 12 is another perspective view of the fourth embodiment.
FIG. 13 shows a front view of the fourth embodiment.
FIG. 14 shows a perspective view of a fifth embodiment of a driving wheel for photosensitive drum.
FIG. 15 is another perspective view of the fifth embodiment; and,
FIG. 16 shows a front view of the fifth embodiment.
The broken lines depict environmental subject matter only and form no part of the claimed design.

1 Claim, 11 Drawing Sheets



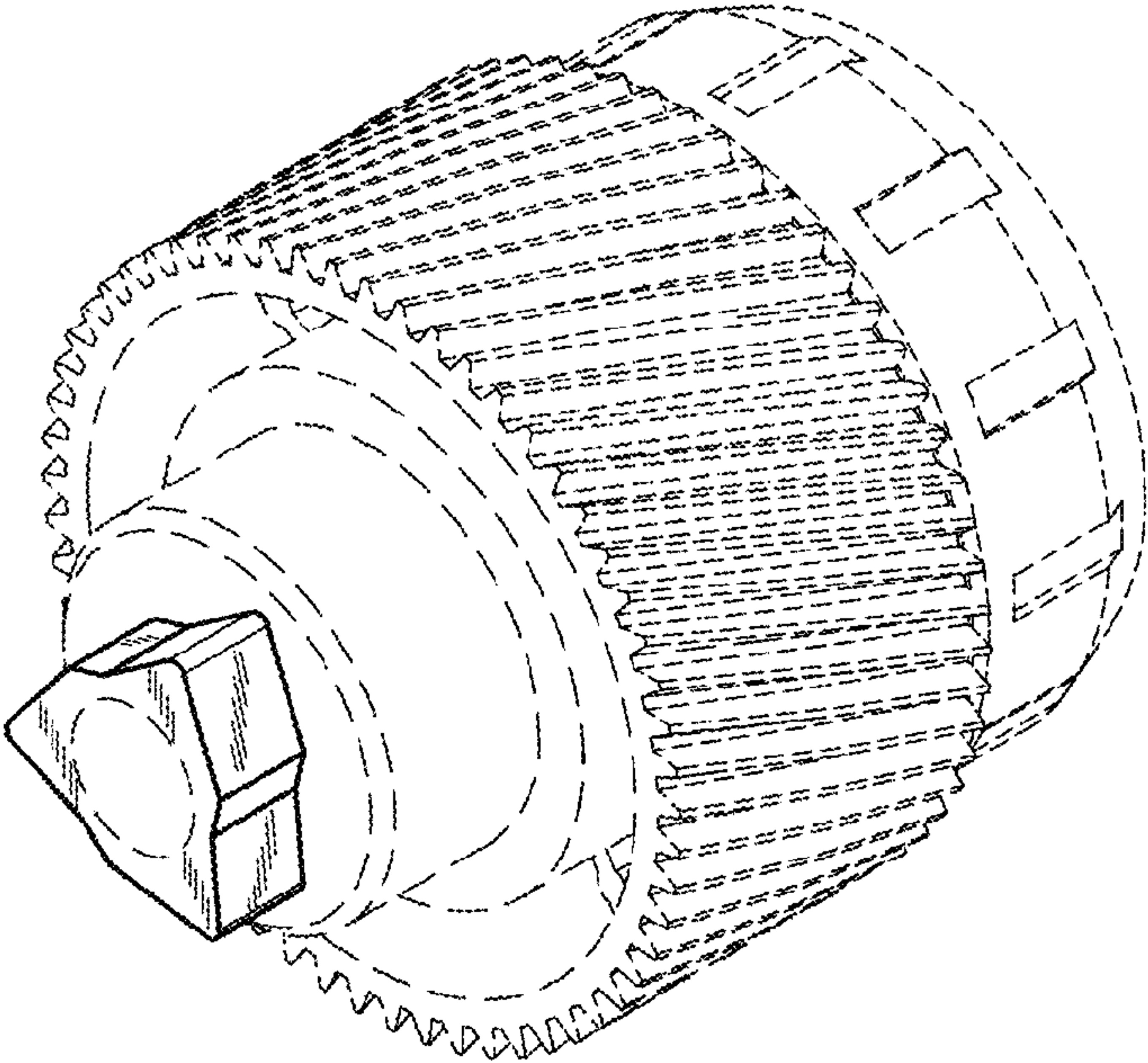


FIG. 1

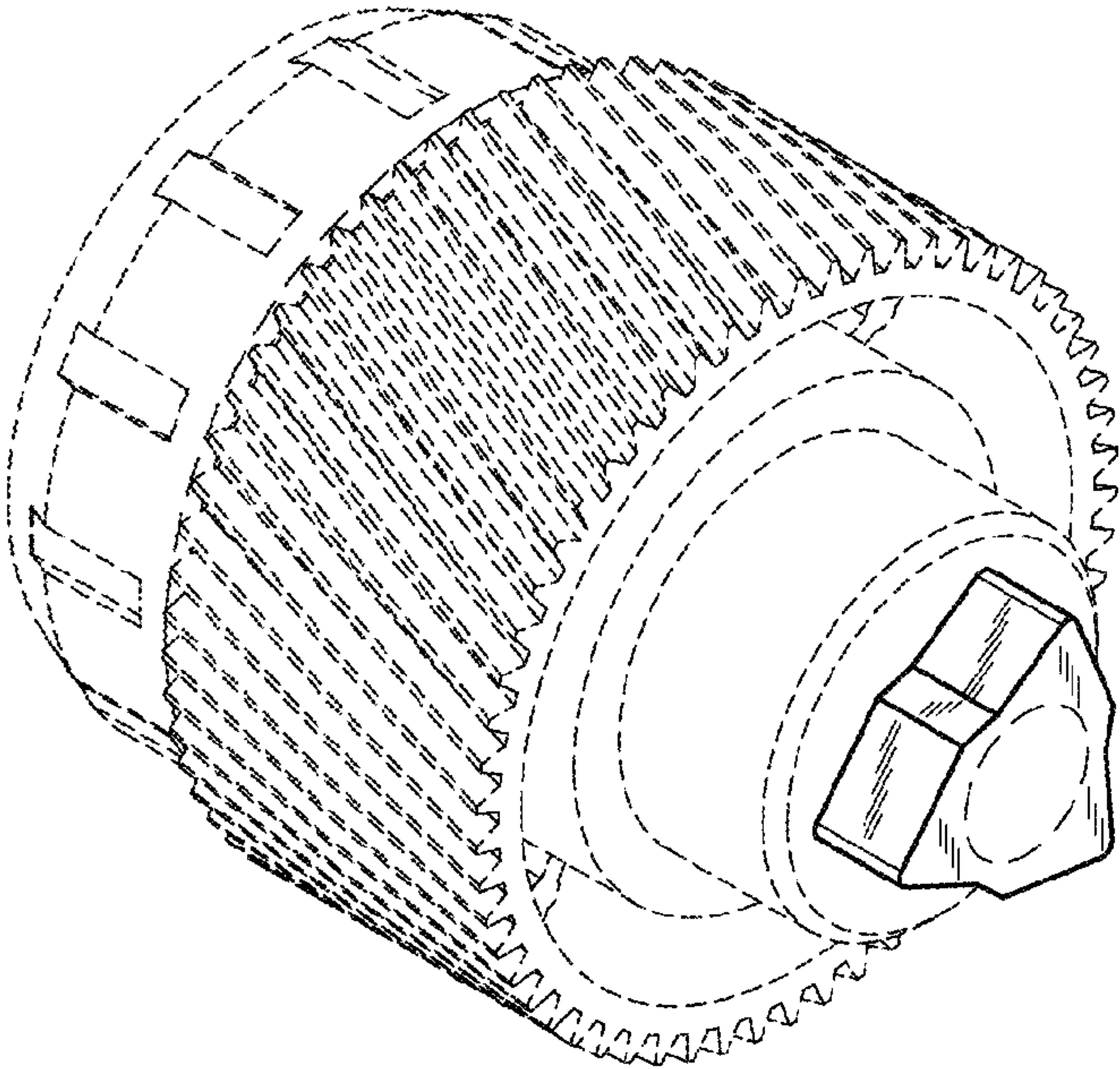


FIG. 2

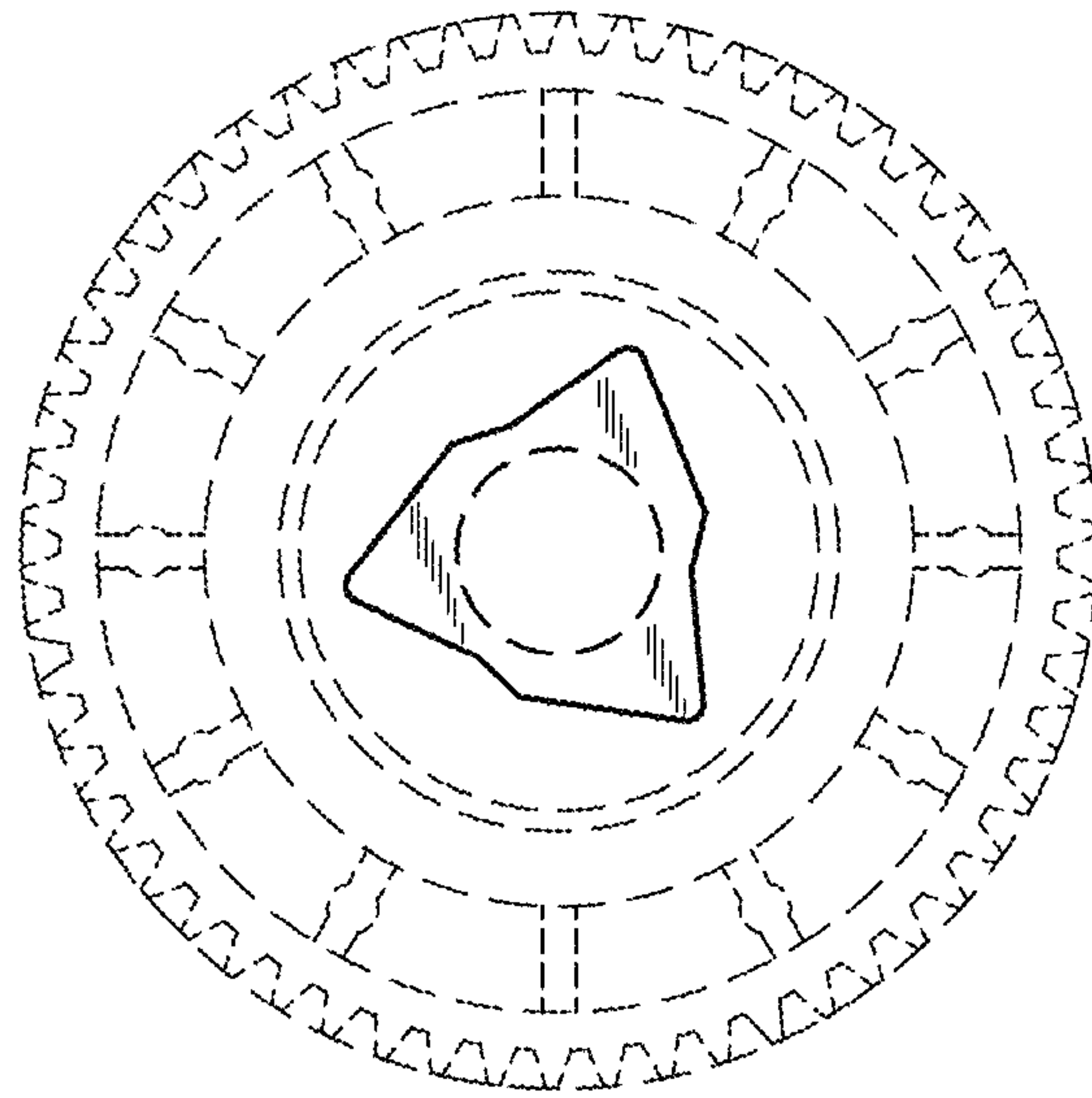


FIG. 3

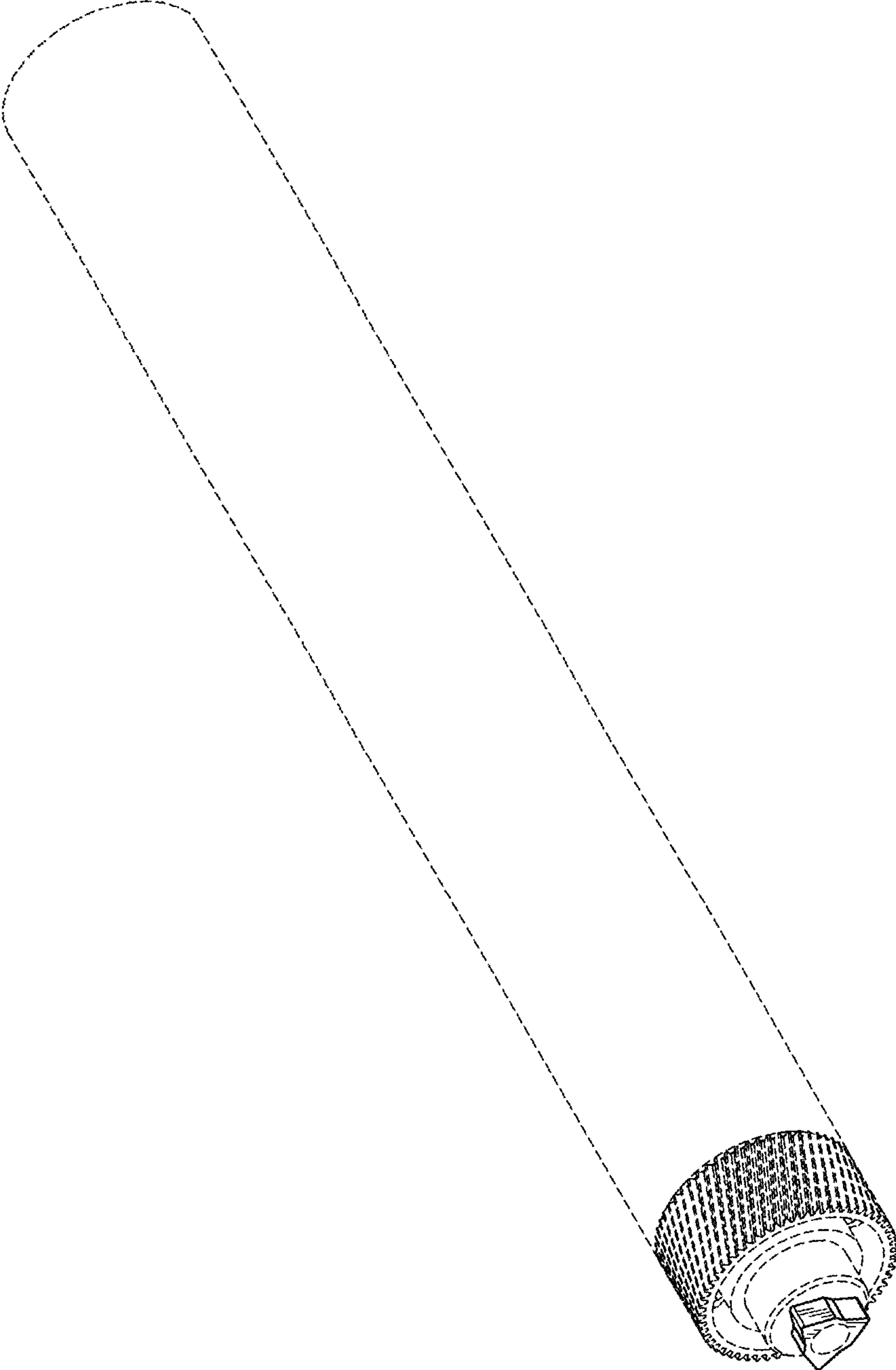


FIG. 4

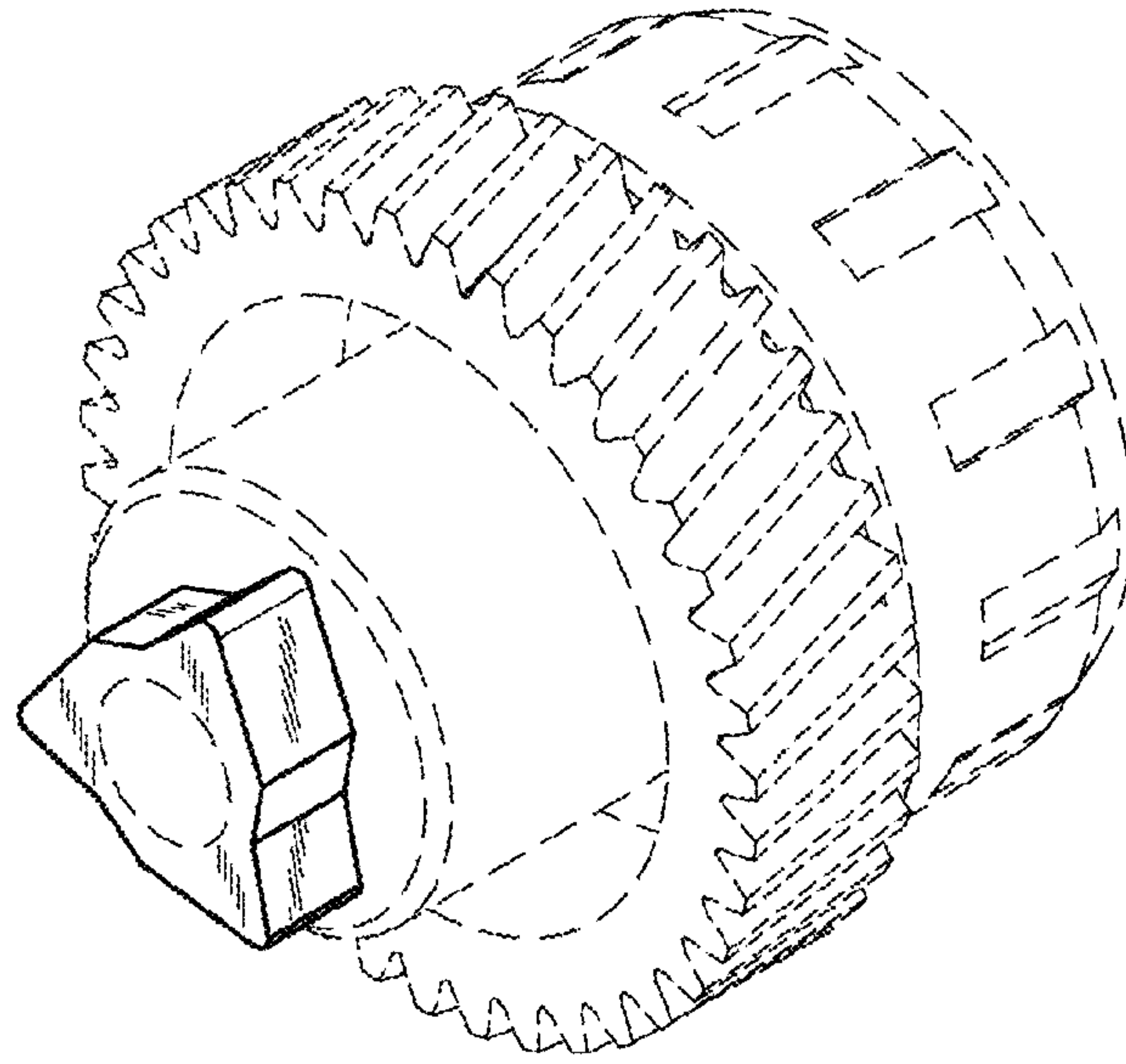


FIG. 5

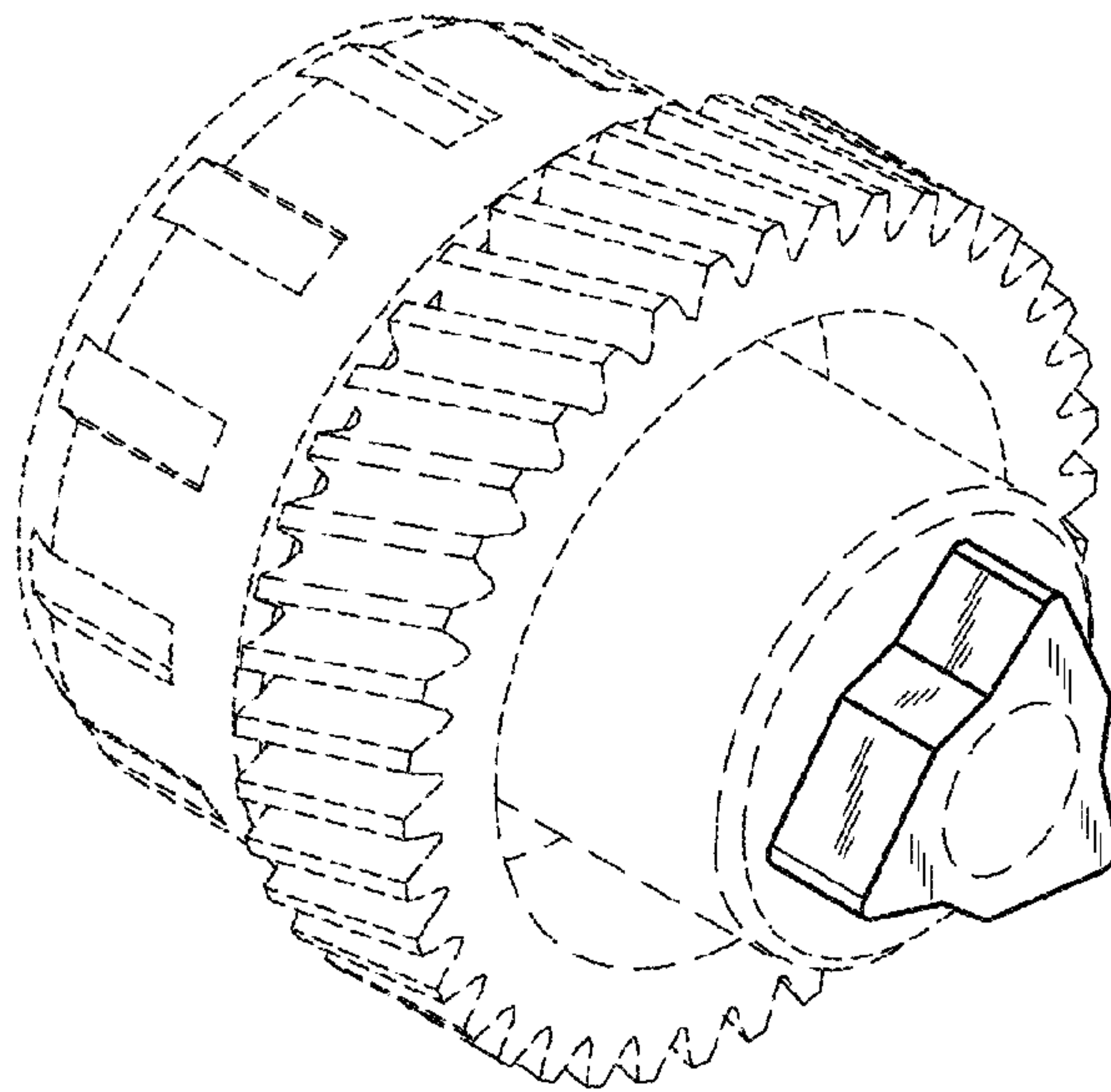


FIG. 6

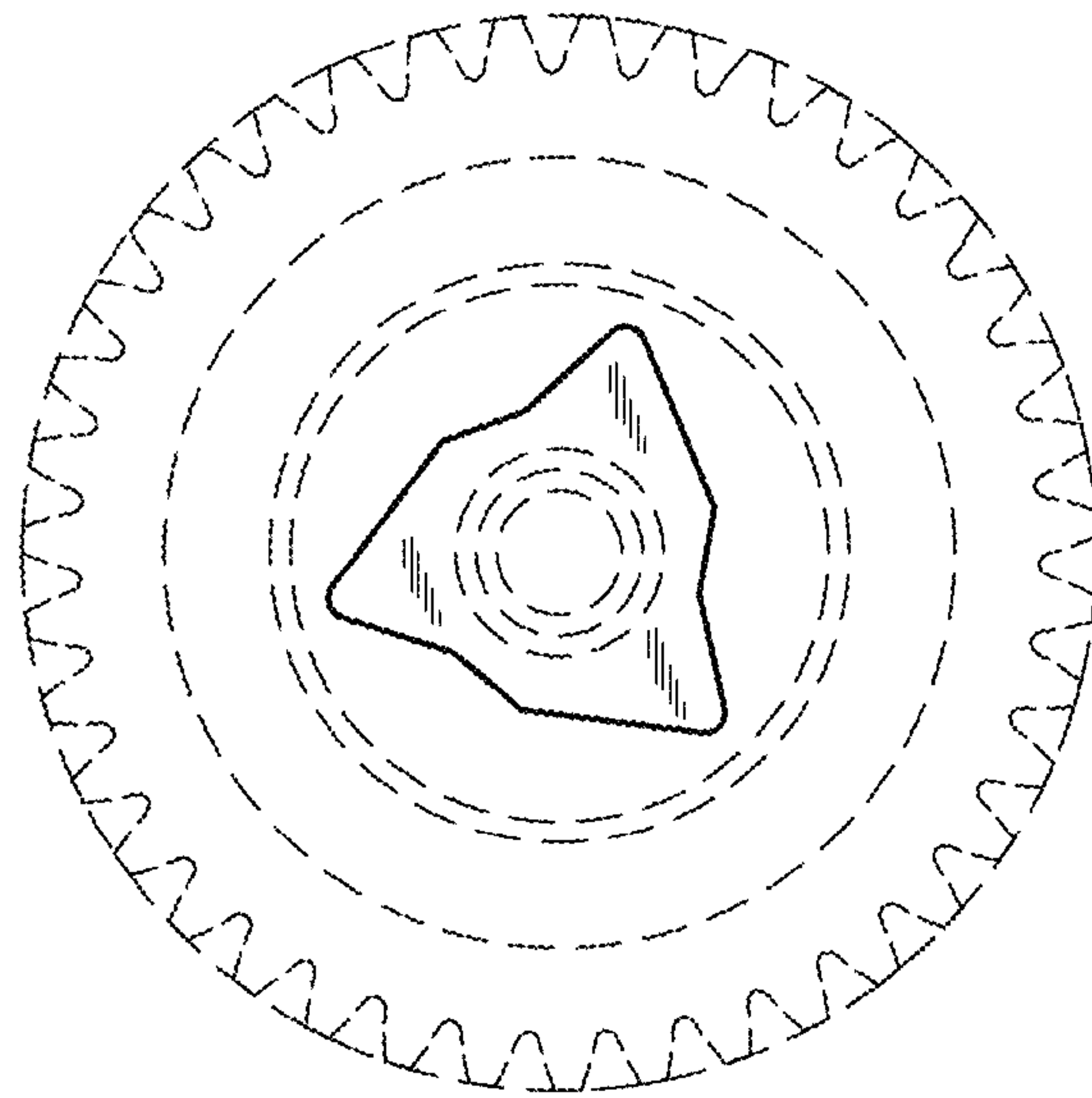


FIG. 7

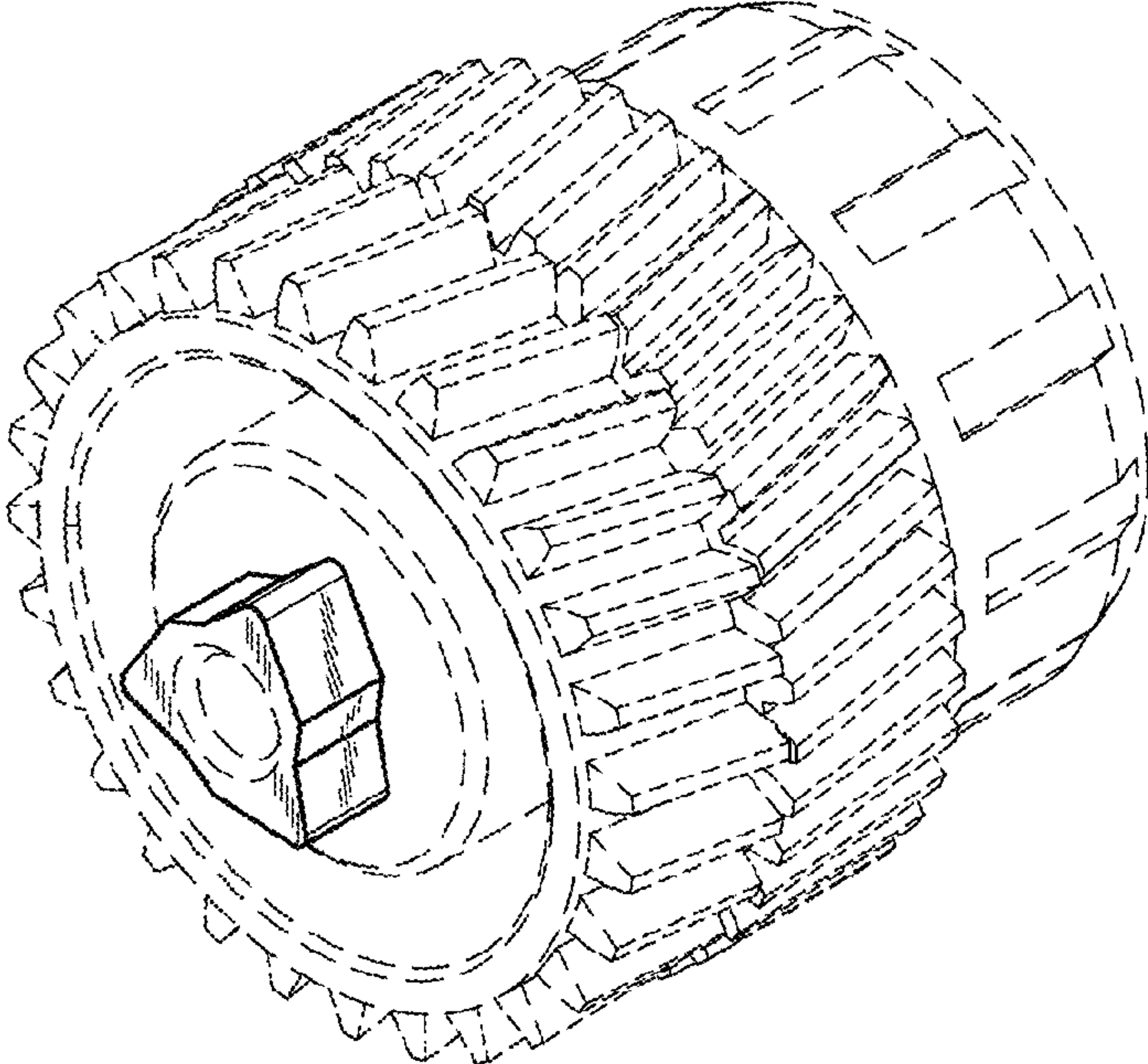


FIG. 8

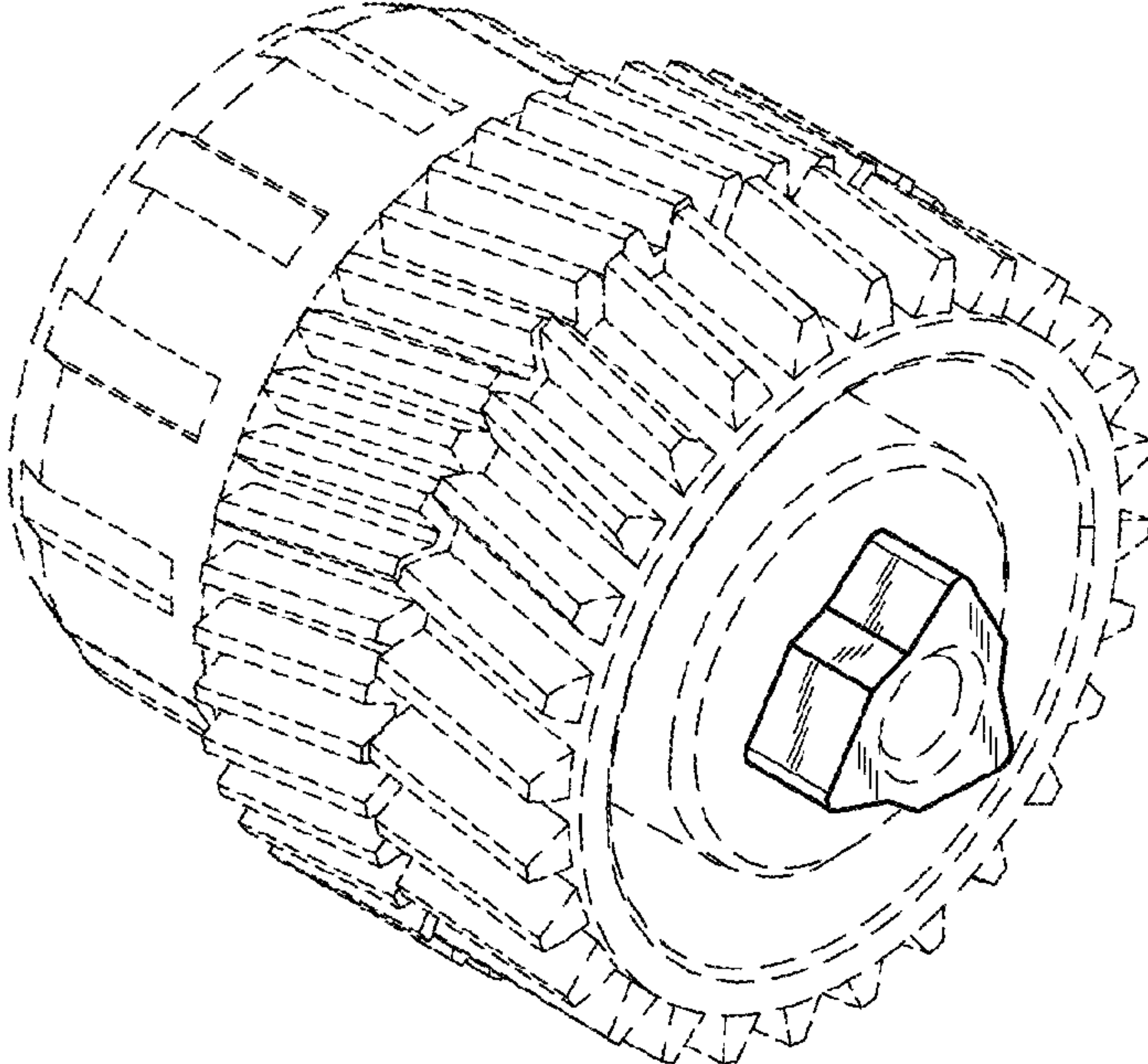


FIG. 9

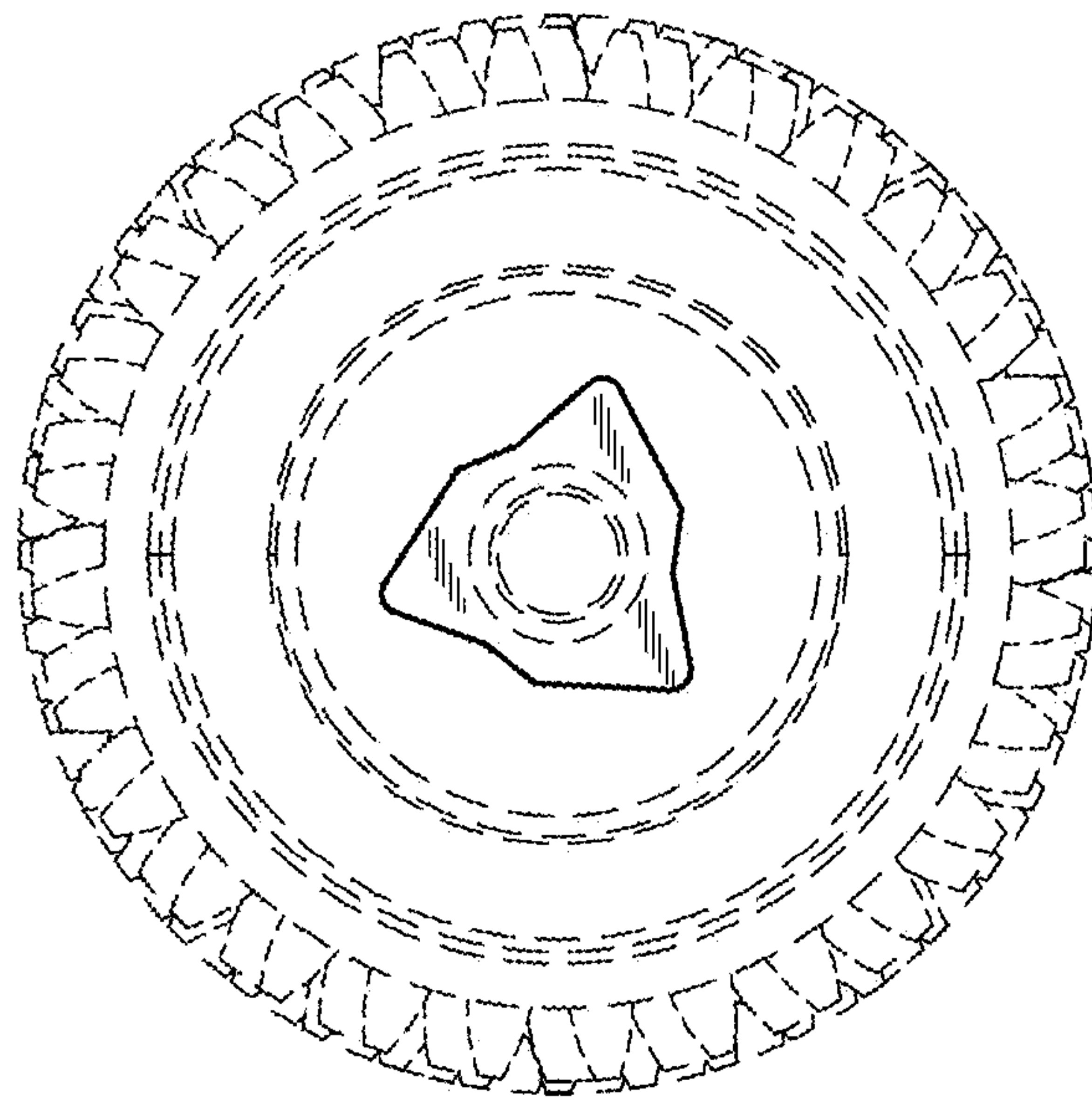


FIG. 10

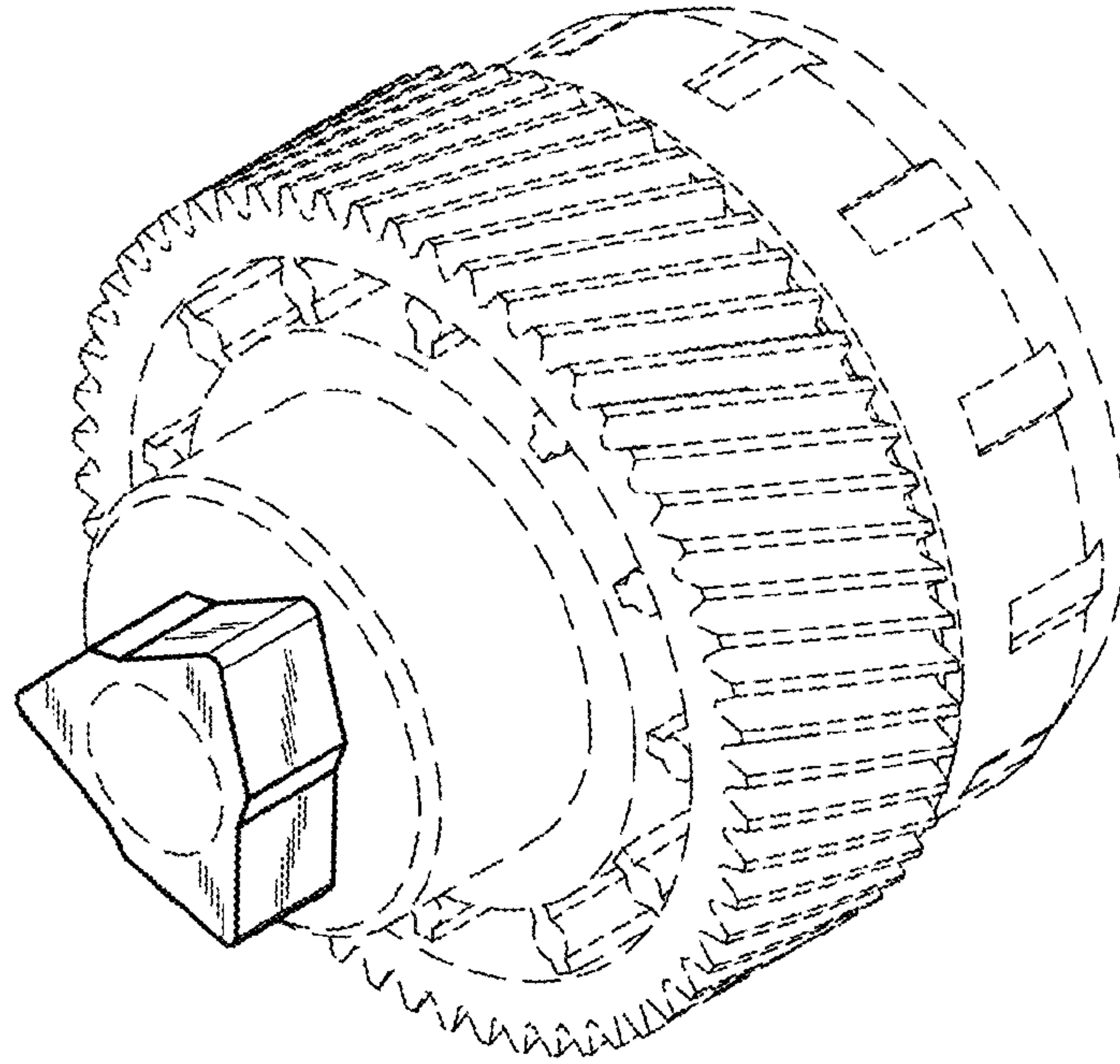


FIG. 11

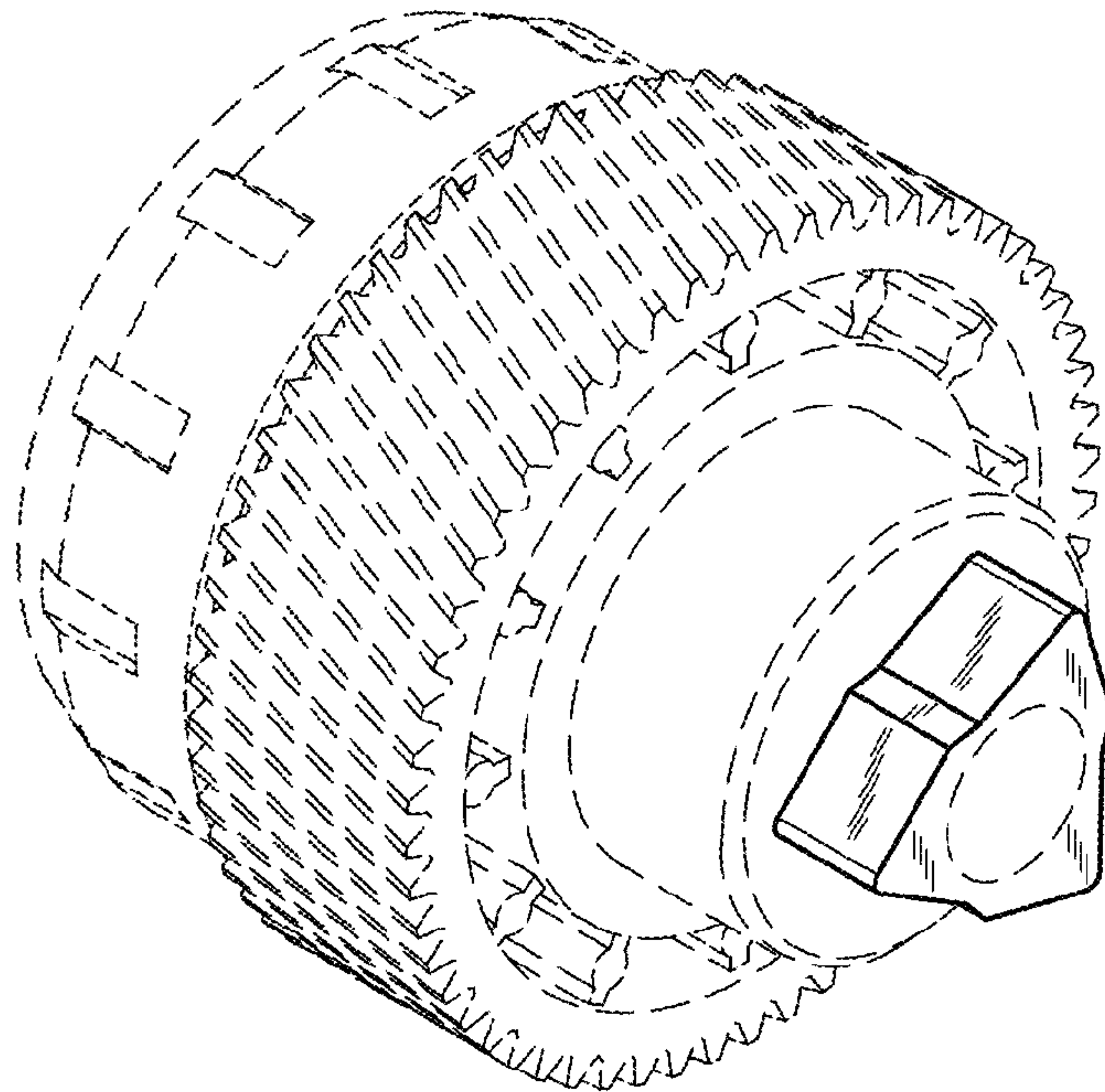


FIG. 12

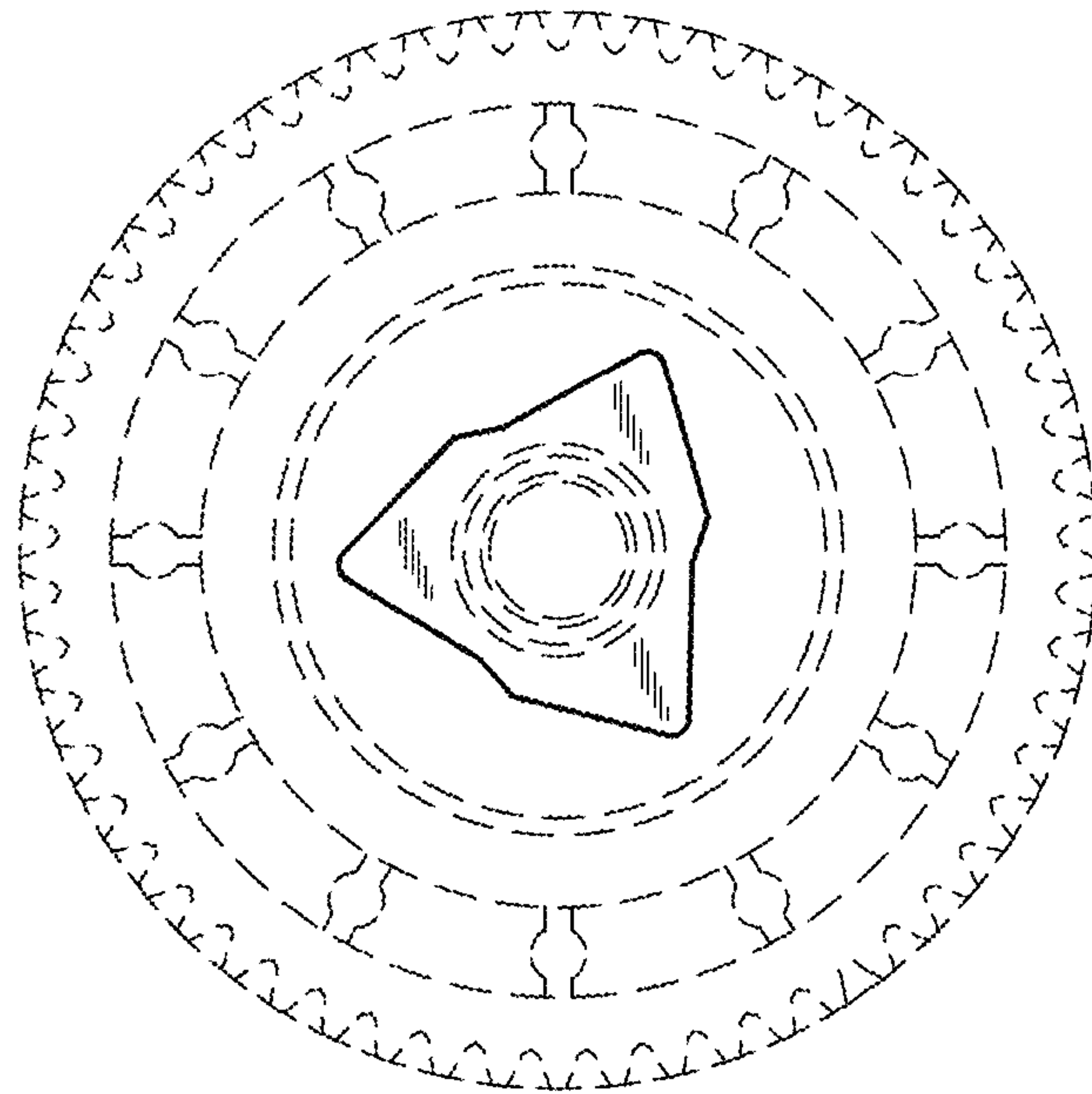


FIG. 13

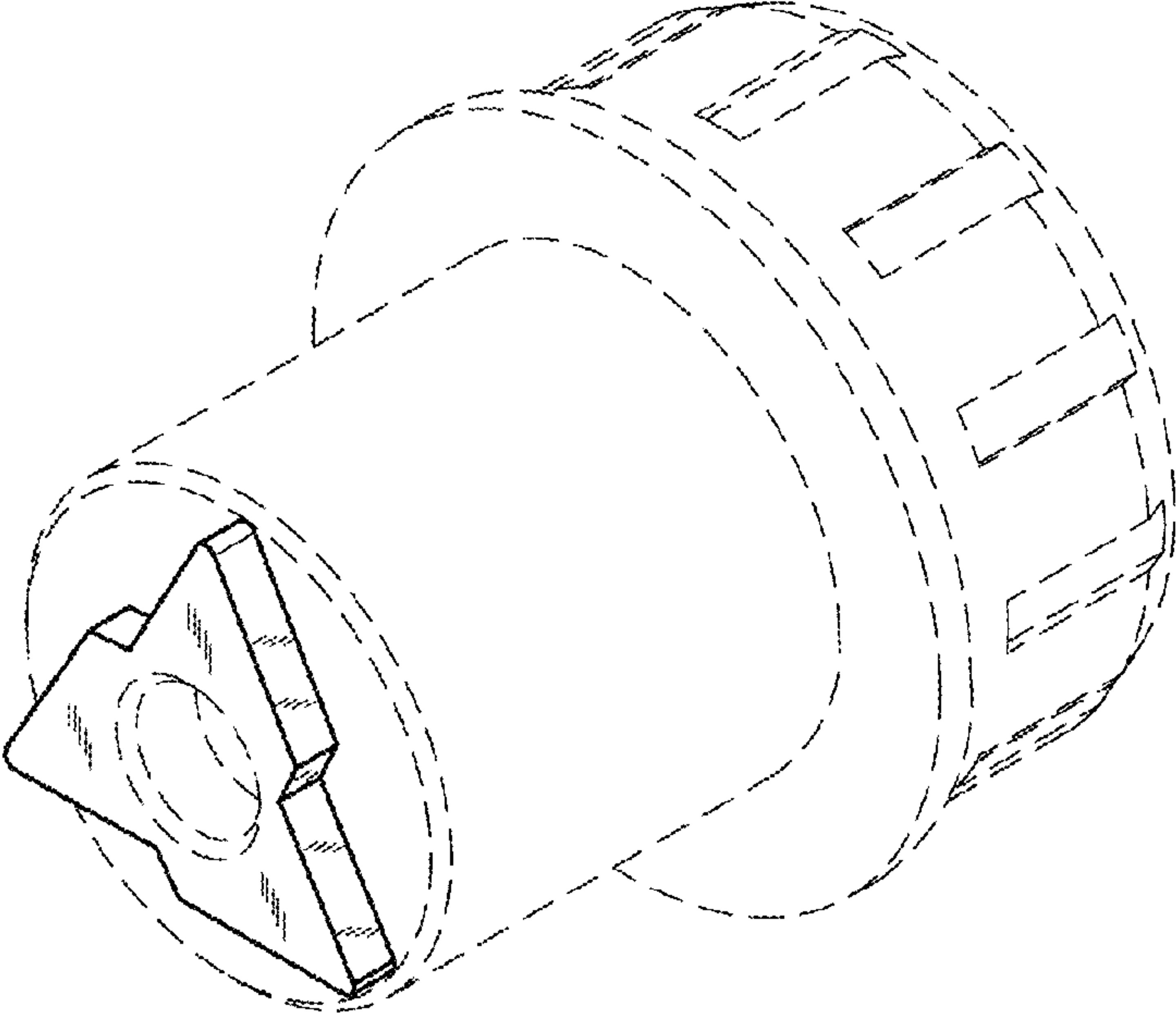


FIG. 14

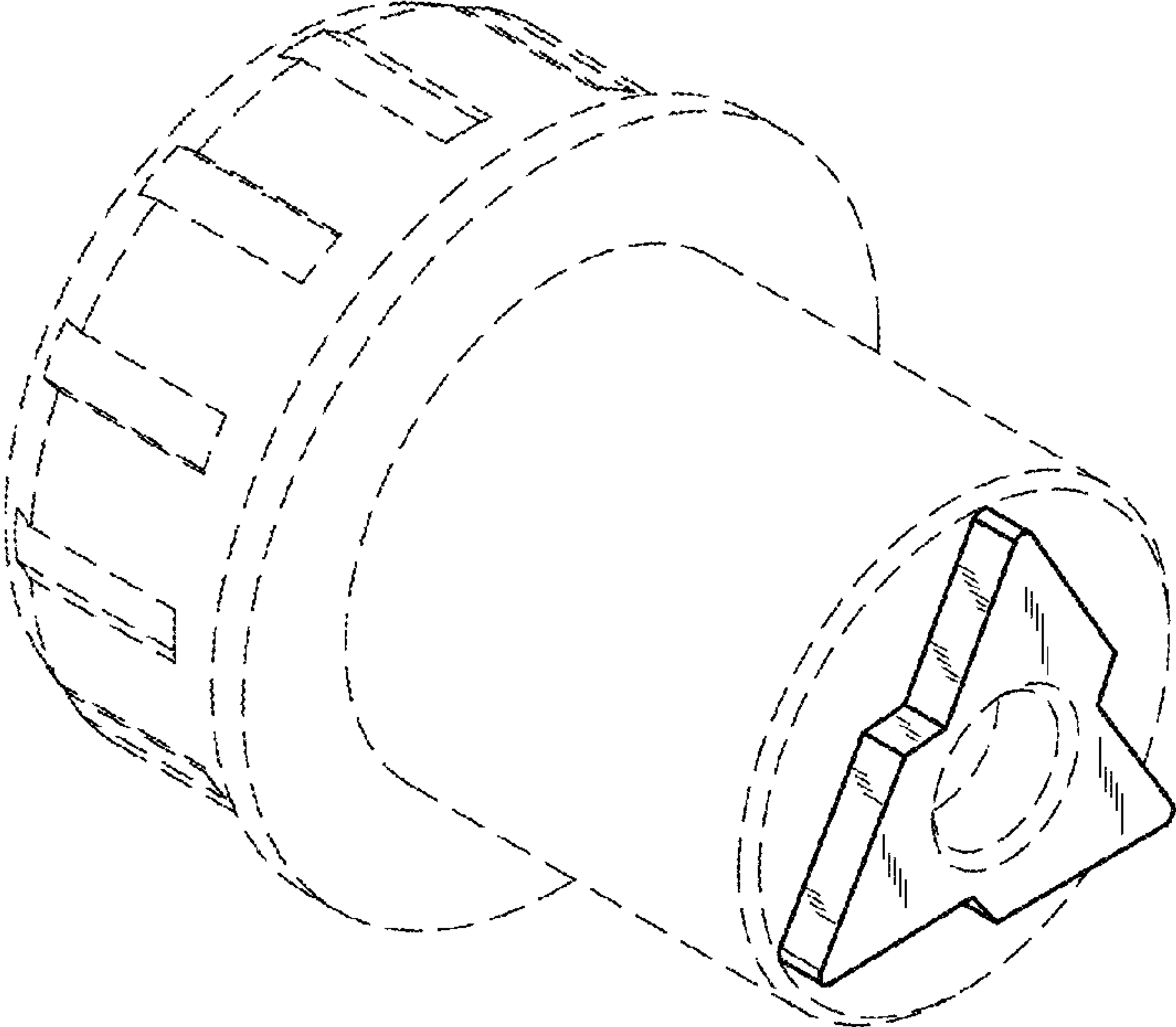


FIG. 15

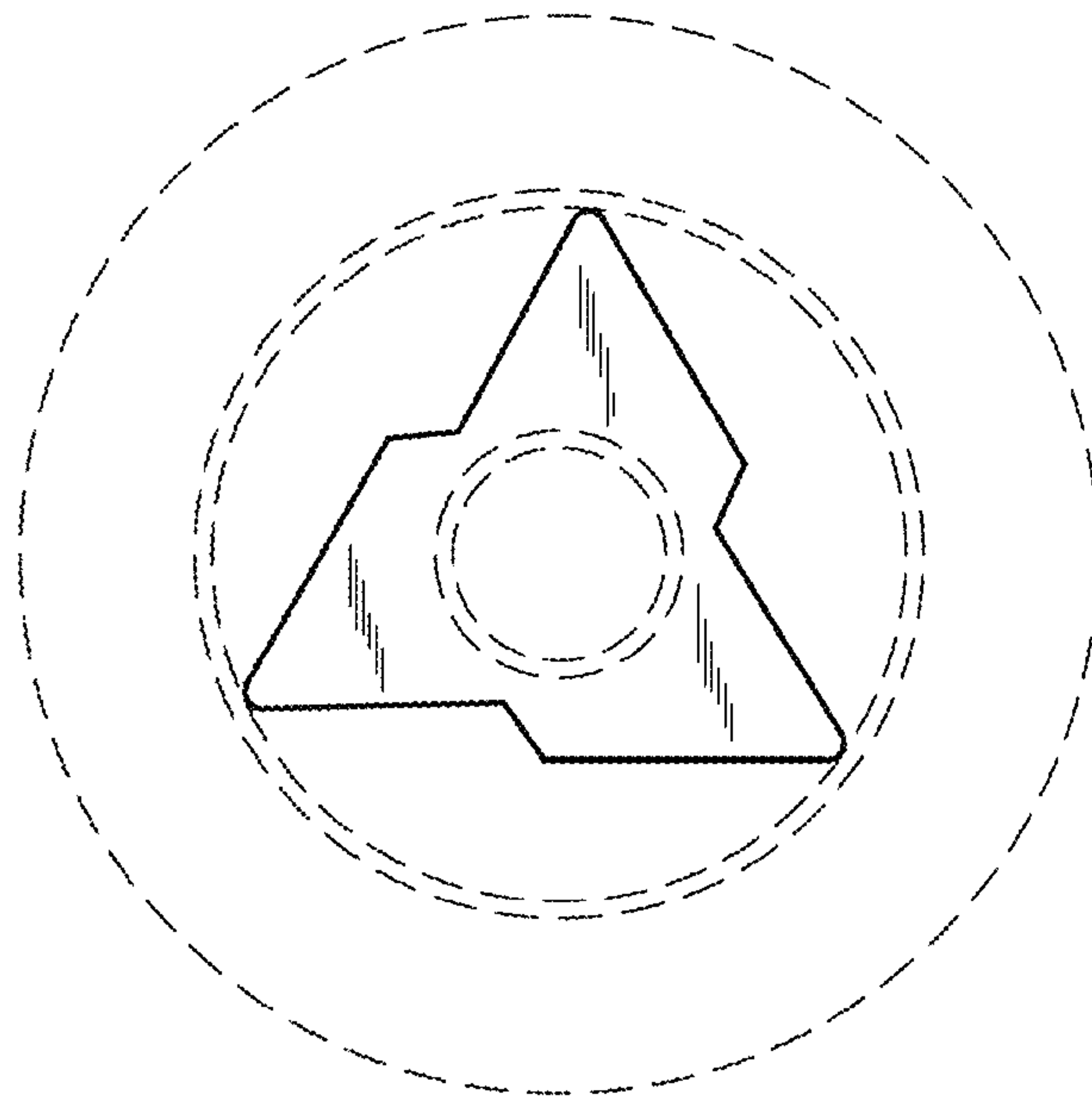


FIG. 16