



US00D732105S

(12) **United States Design Patent**  
**Olsson et al.**

(10) **Patent No.:** **US D732,105 S**  
(45) **Date of Patent:** **\*\* Jun. 16, 2015**

(54) **NOSE BRIDGE MEMBER**

(71) Applicant: **Google Inc.**, Mountain View, CA (US)

(72) Inventors: **Maj Isabelle Olsson**, San Francisco, CA (US); **Joseph John Hebenstreit**, San Francisco, CA (US)

(73) Assignee: **Google Inc.**, Mountain View, CA (US)

(\*\*) Term: **14 Years**

(21) Appl. No.: **29/492,026**

(22) Filed: **May 28, 2014**

**Related U.S. Application Data**

(62) Division of application No. 29/404,887, filed on Oct. 26, 2011, now Pat. No. Des. 708,252.

(51) **LOC (10) Cl.** ..... **16-06**

(52) **U.S. Cl.**  
USPC ..... **D16/332**

(58) **Field of Classification Search**  
USPC ..... D16/101, 300-342, 900; D29/109-110;  
351/41, 44-46, 51-52, 62, 158, 92,  
351/103-123, 140-153, 63, 59, 156; 2/13,  
2/15, 426-432, 447-449, 441, 434-437;  
D21/483, 659-661  
CPC ..... G02C 2200/08; G02C 1/06; G02C 11/02;  
G02C 11/04  
See application file for complete search history.

(56) **References Cited**

**U.S. PATENT DOCUMENTS**

2,669,903 A 2/1954 Tardy  
6,729,725 B1 5/2004 Cheng

D491,214 S 6/2004 Nielsen  
D537,862 S 3/2007 Mouclier  
D554,176 S 10/2007 Elmore  
D555,703 S \* 11/2007 Damen ..... D16/315  
D567,838 S \* 4/2008 Fuchs ..... D16/315  
D593,593 S 6/2009 Fuchs  
D606,577 S 12/2009 Gelifier

\* cited by examiner

*Primary Examiner* — Raphael Barkai

(74) *Attorney, Agent, or Firm* — Lerner, David, Littenberg, Krumholz & Mentlik, LLP

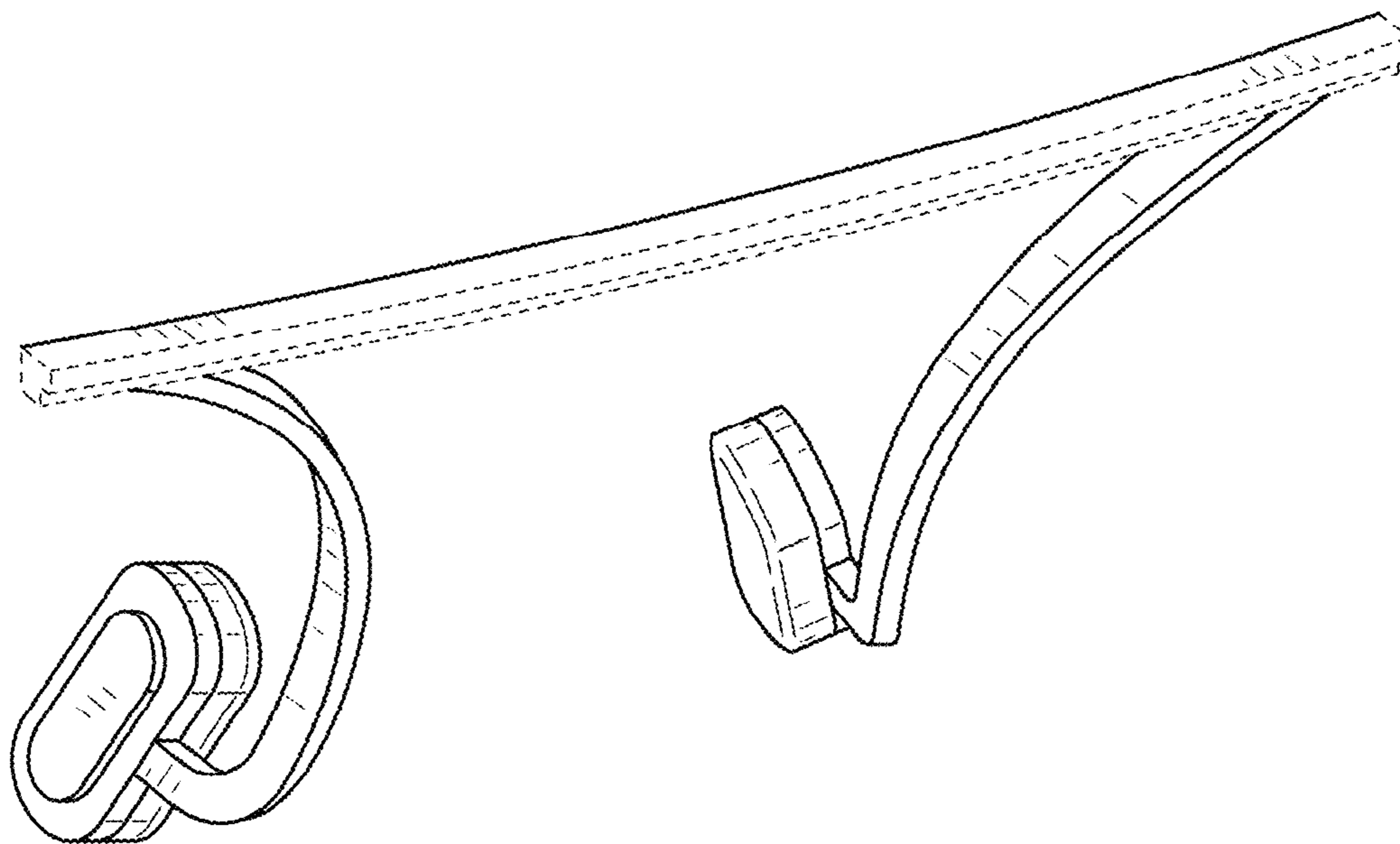
(57) **CLAIM**

The ornamental design for a nose bridge member, as shown and described.

**DESCRIPTION**

FIG. 1 is a front perspective view of a nose bridge member showing our new design;  
FIG. 2 is a front elevation view of the nose bridge member of FIG. 1;  
FIG. 3 is a rear elevation view of the nose bridge member of FIG. 1;  
FIG. 4 is a left side elevation view of the nose bridge member of FIG. 1;  
FIG. 5 is a right side elevation view of the nose bridge member of FIG. 1;  
FIG. 6 is a top plan view of the nose bridge member Frame of FIG. 1; and,  
FIG. 7 is a bottom plan view of the nose bridge member of FIG. 1.  
The appearance of elements presented in broken line format form no part of the claimed design.

**1 Claim, 3 Drawing Sheets**



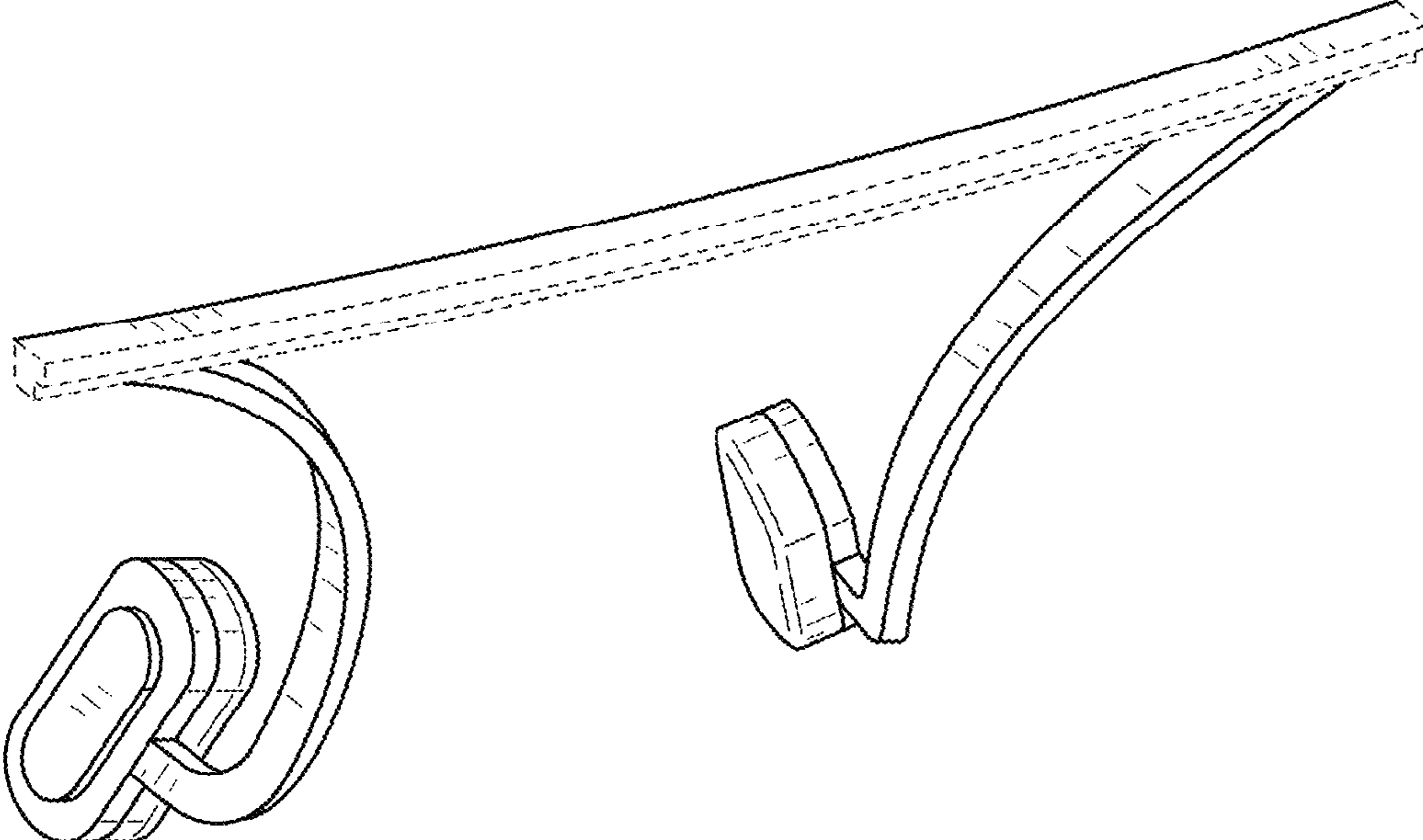


FIG. 1

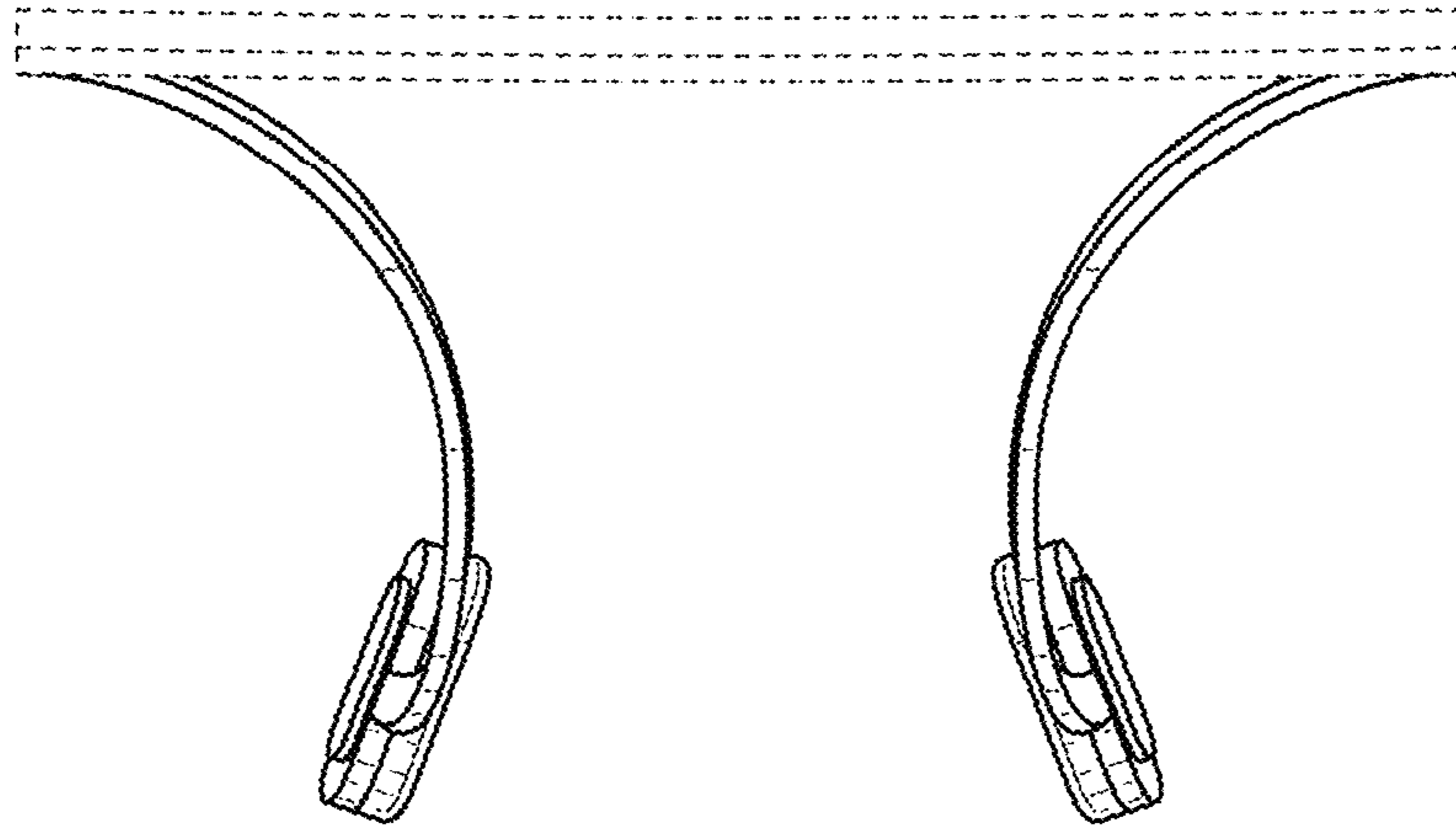


FIG. 2

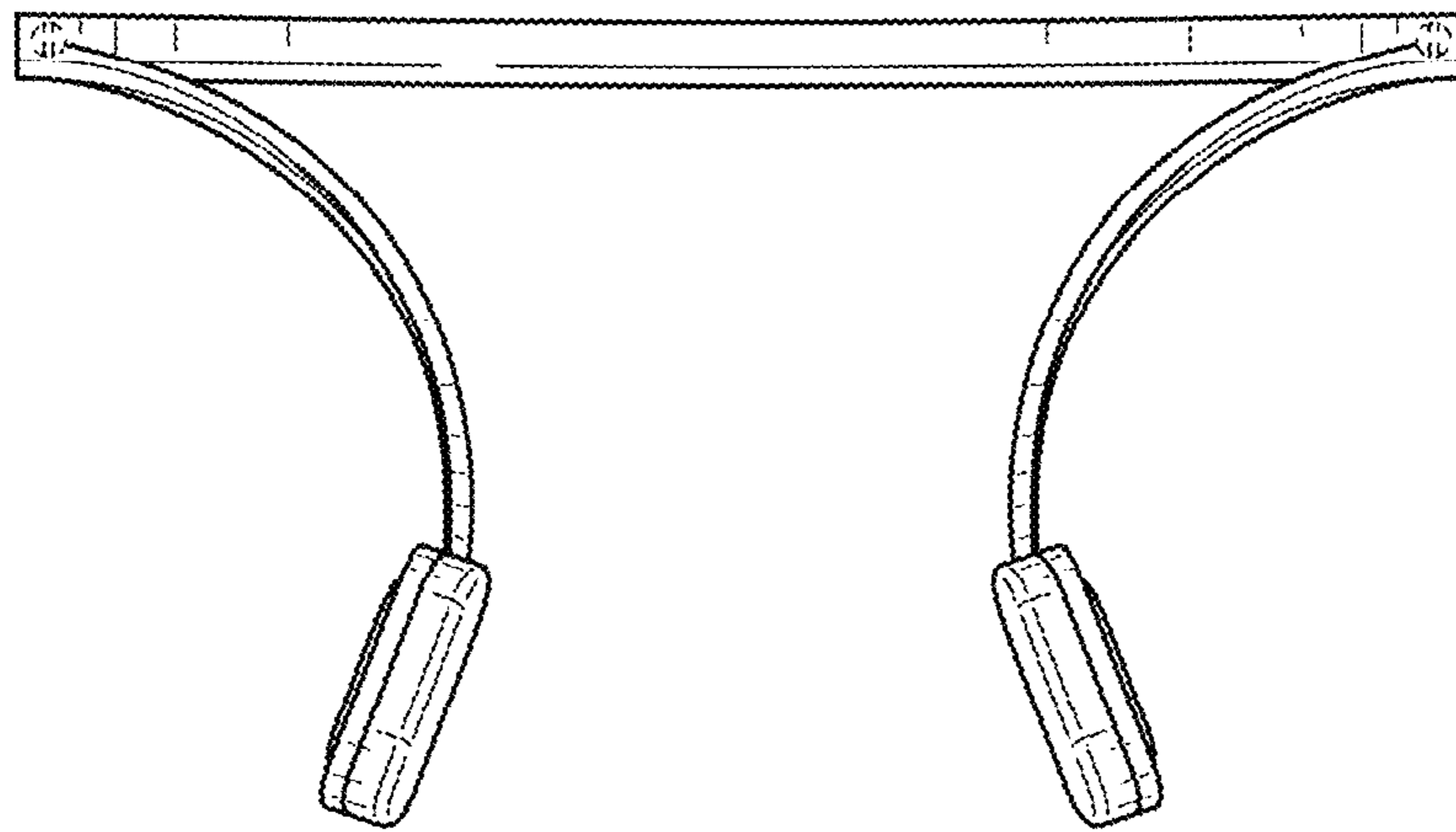


FIG. 3

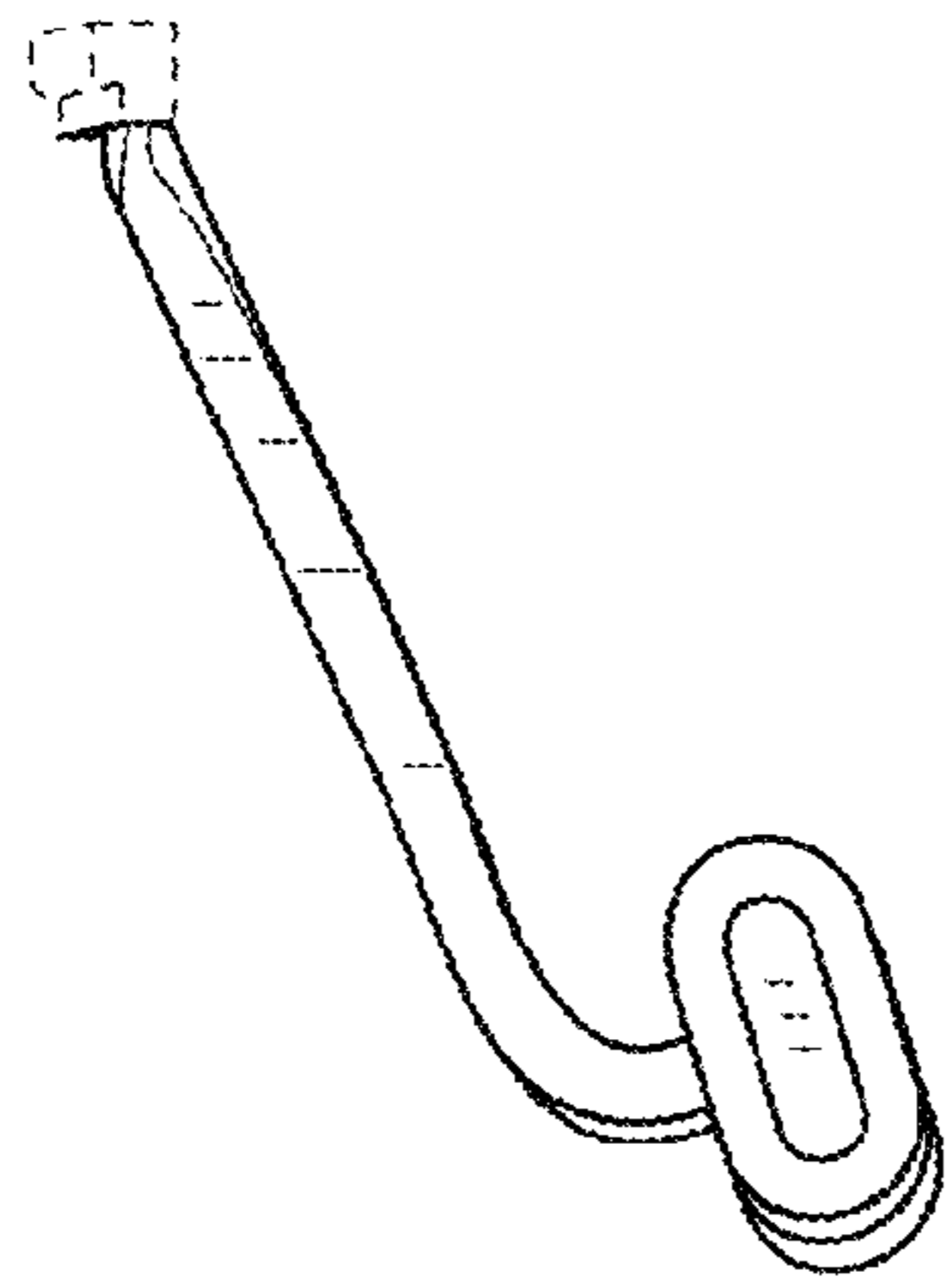


FIG. 4

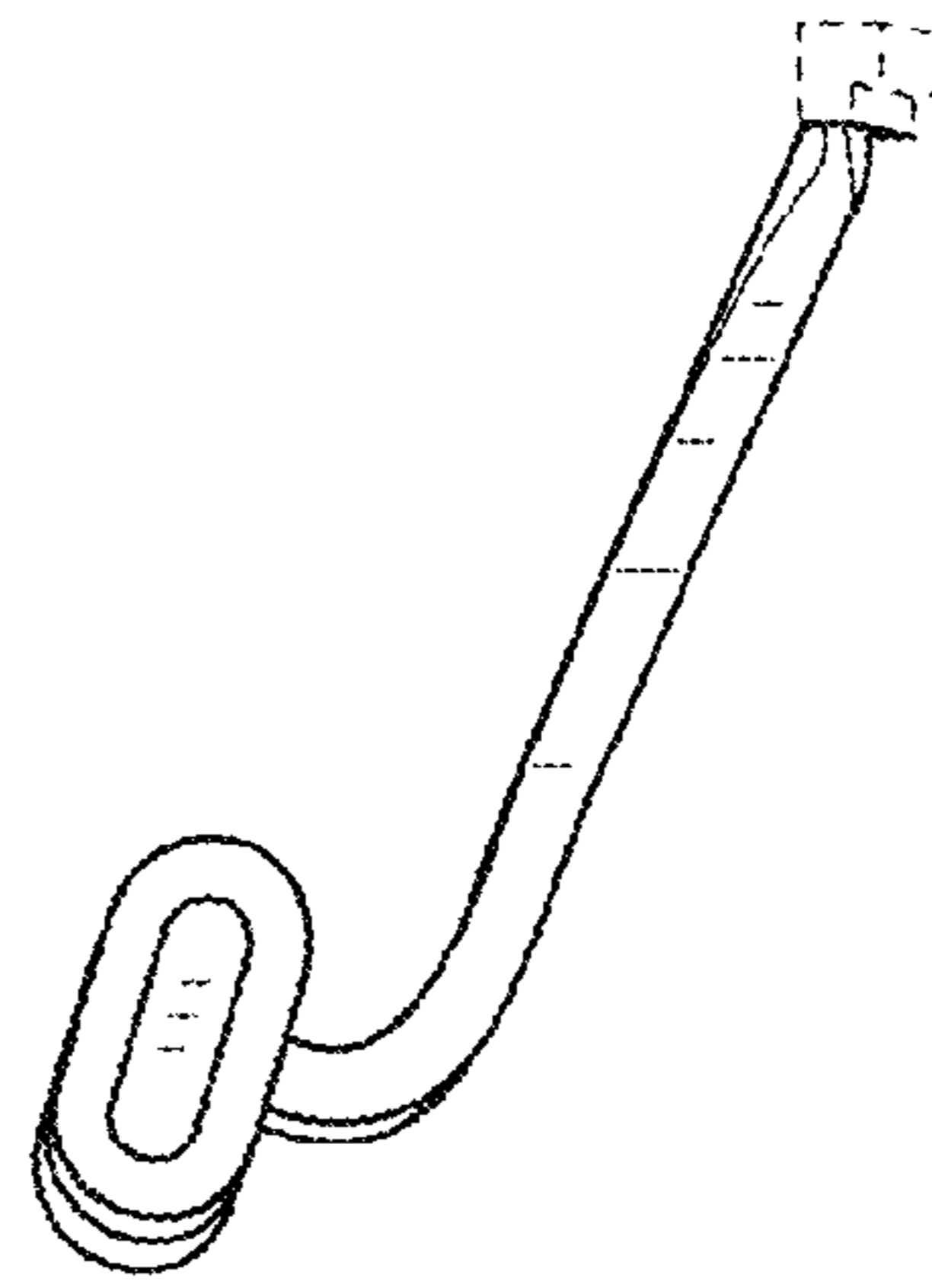


FIG. 5

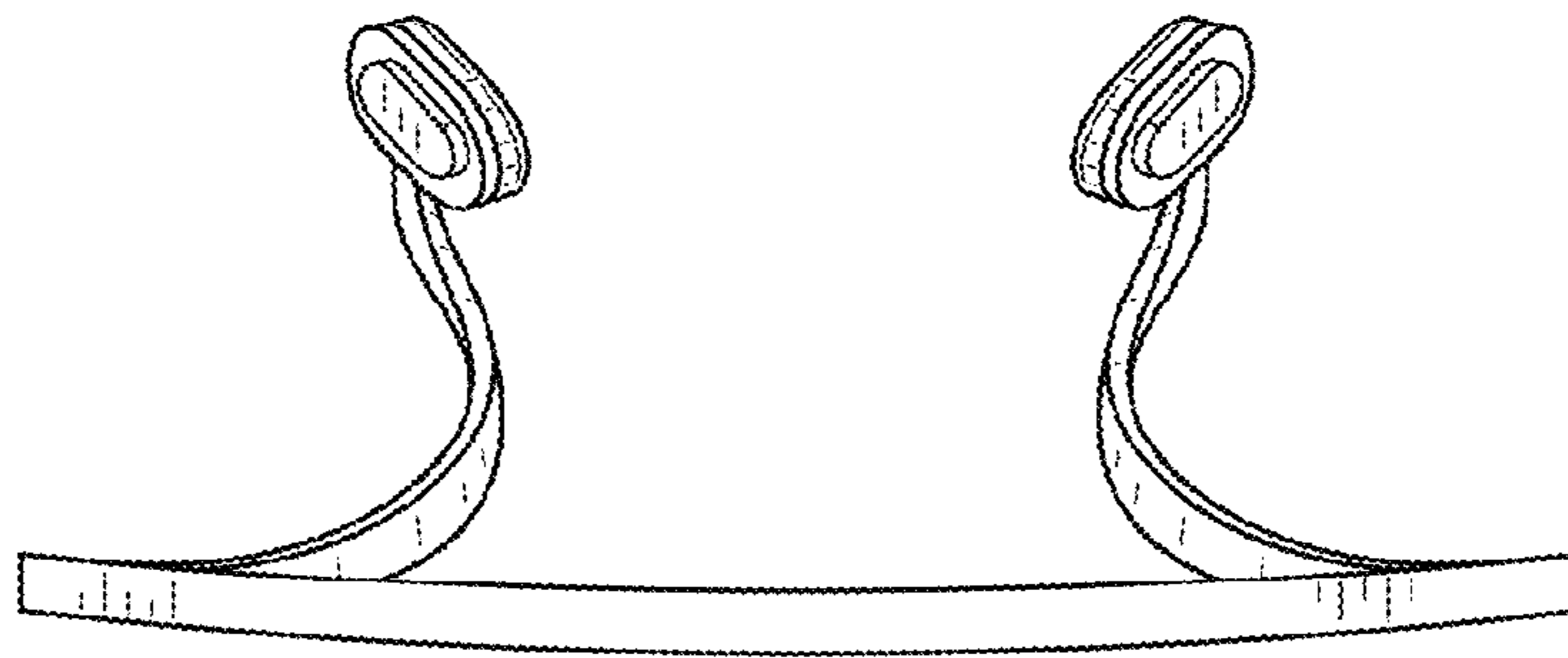


FIG. 6

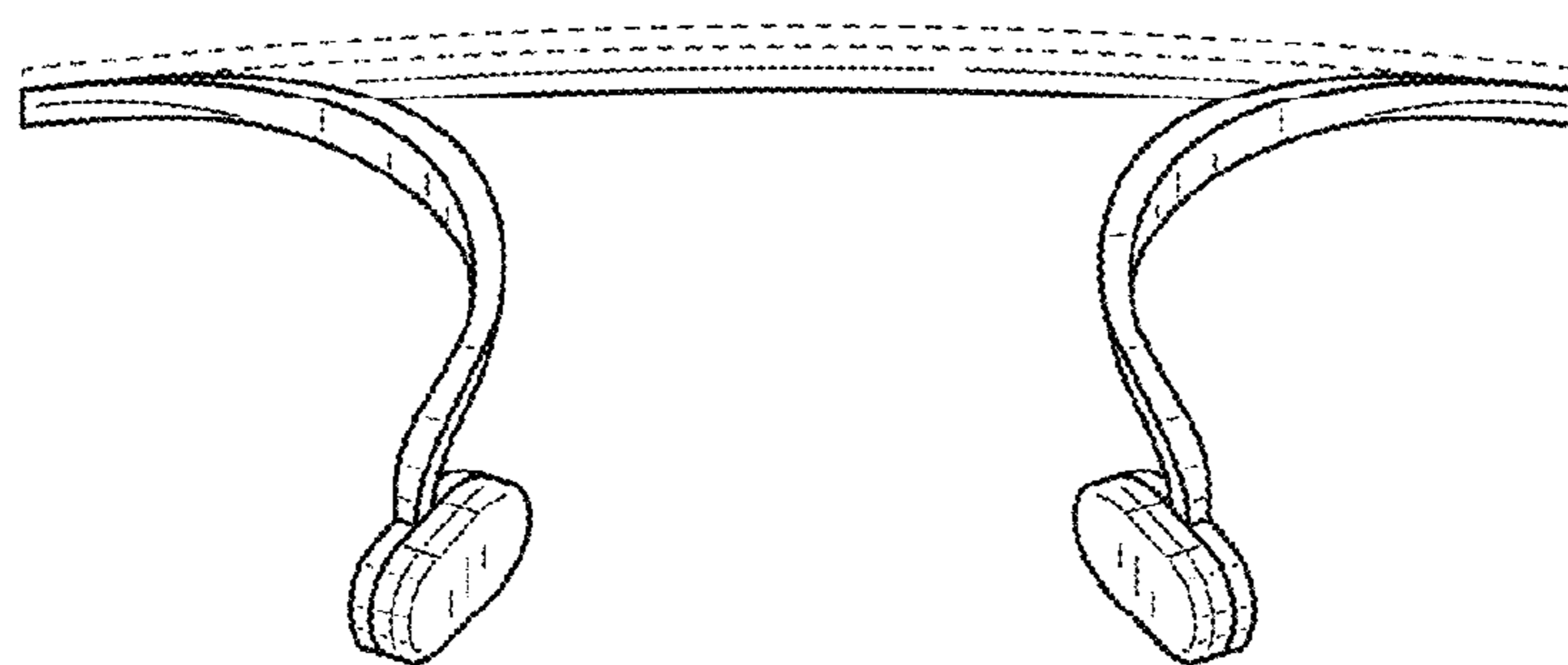


FIG. 7